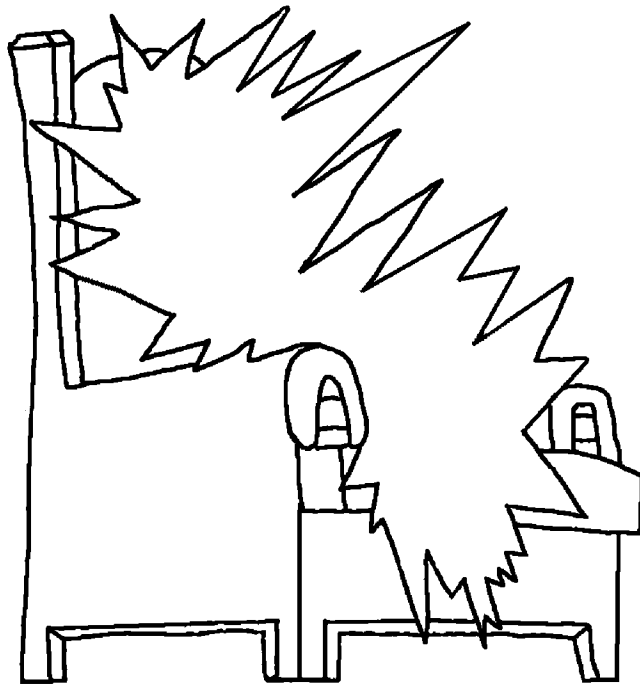


www.BibleForChildren.org



Isaan 14



Sises uya ta'pɛ, "Kisewankamatɛ! Papa apuriti'; uri ri niri apuriti'. Tu'ke ri pata wannɪ man ukɛipɛnɛ iwɛ' tau; sekamai'no miri pe pɛra iyesi yau. Miri ya' uti seri apata'se' kon oton konekai'."



"Utisa' pe iyesi yau apata'se' kon konekai',
kanan ayase 'na'nokon upiyau iwesi kon pa,
e'ai'ne' yau iwesi kon pa."



Isaan uri, irui kon, Sises a'kiri esi koro'tau itonpa
kon pe esi seri isi a'kure'ti pi', esa' wannɪ pe
iye'to' yawon kon pe te'san neporonɛ,

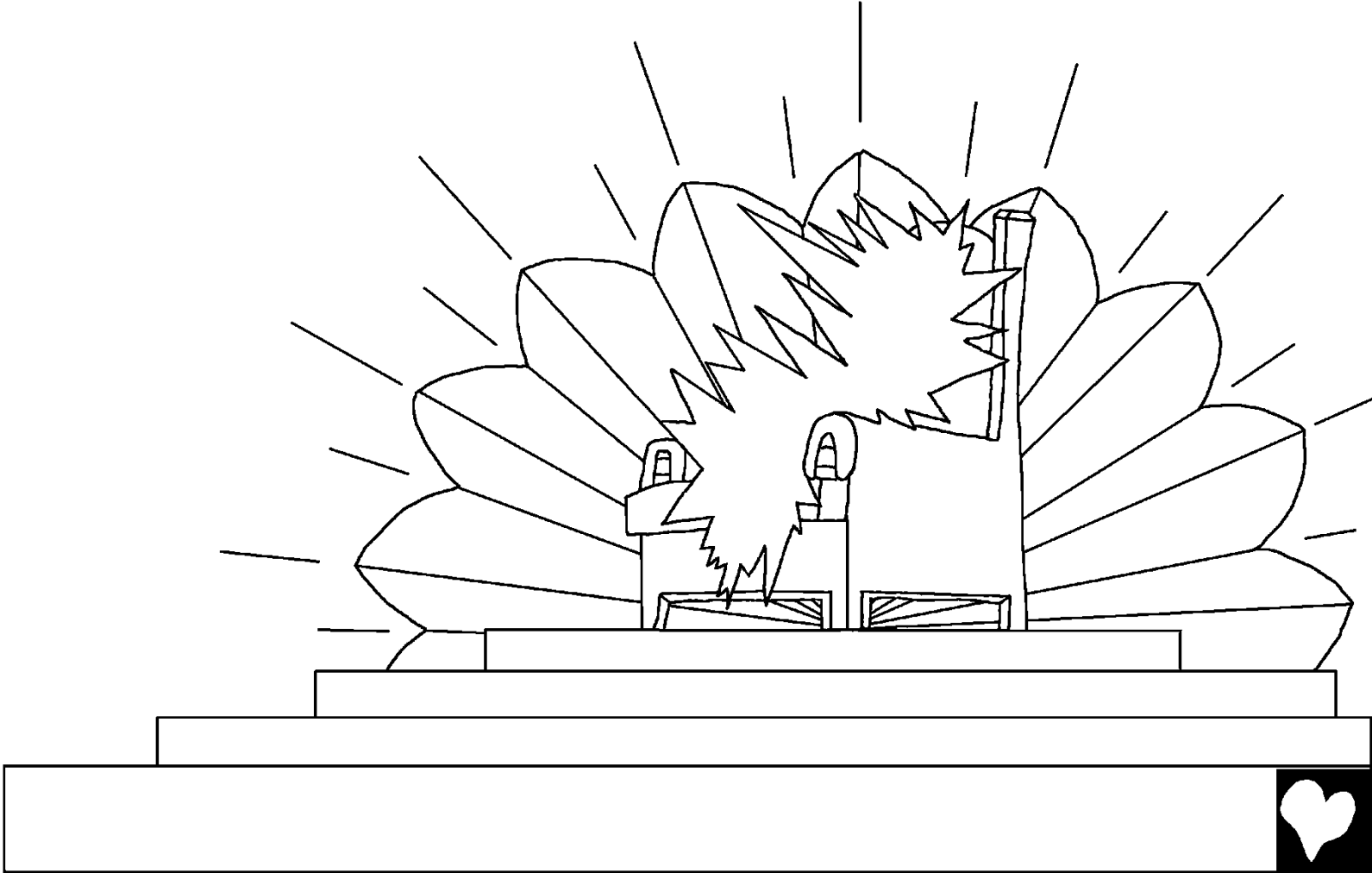
opa'wɛ Pa'tɛmo itese' po
inonkasa' pe esi'pɛ Papa



maimu miri awonsi'ki
i'napairon Sises
nenpoika'pɛ
ekama uya pi'.

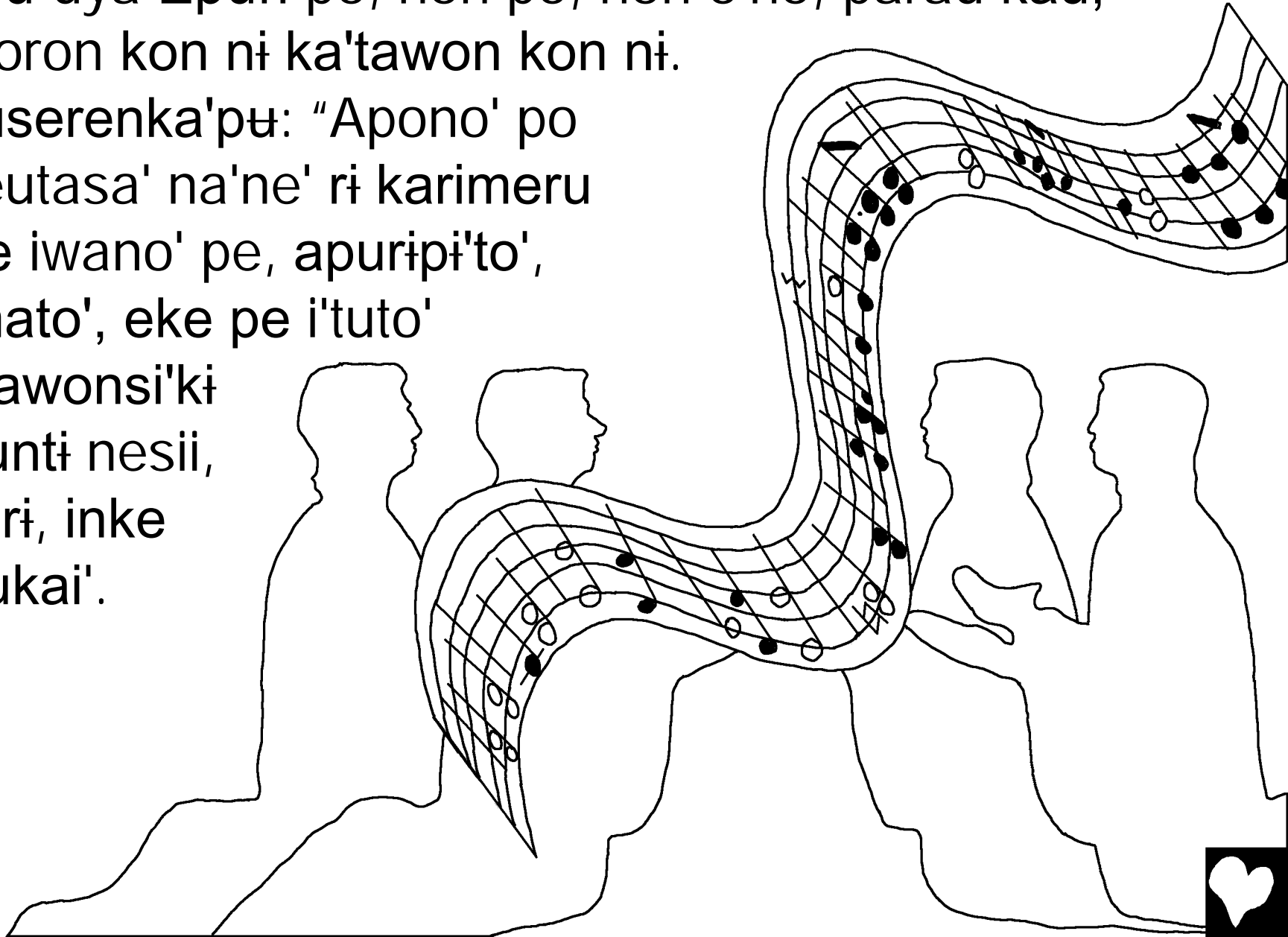


Inke p̄ra ri Ita'kwar̄ ya' ena'p̄, miri yau apono'
esi'p̄ Ep̄n po, miripan po ka'pon ereutasa' esi'p̄.



Miri a'tai, tanporon kon ni Papa nɛkarɛ'san maimu
eta'pɛ uya Epɛn po, non po, non o'no, parau kau,
tanporon kon ni ka'tawon kon ni.

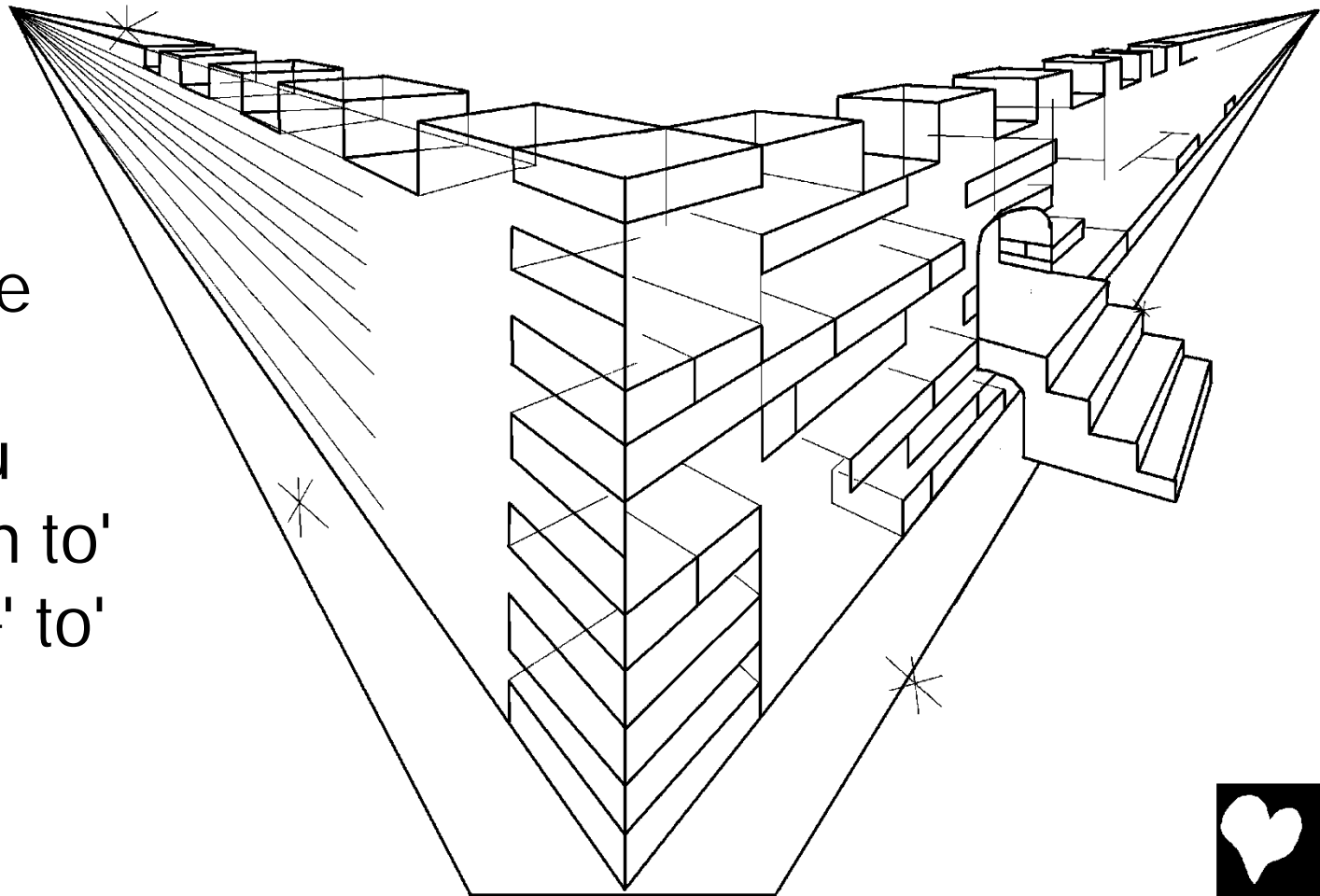
To' userenka'pɛ: "Apono' po
iyereutasa' na'ne' ri karimeru
mɛre iwano' pe, apuripi'to',
inamato', eke pe i'tuto'
miri awonsi'ki
merunti nesii,
inke ri, inke
ri!" tukai'.



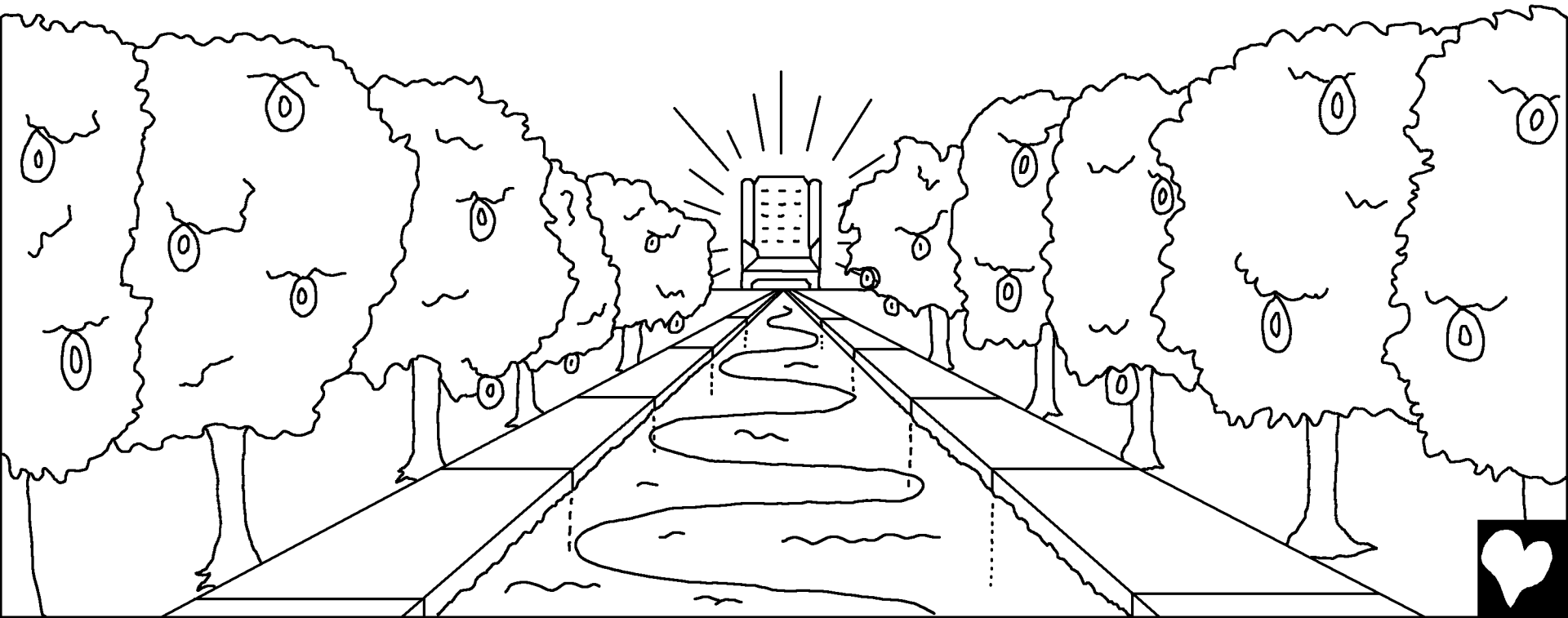
Miri a'tai, Wakɛ Pata ene'pɛ uya, emenna'
Surusiran u'ti Epɛn apai, Papa winipai, iyekonekasa'
temari'masen uri'san uta'kɛ'tisa' ama'non pe kasa
tɛtaan'pɛ e'ma ta'. Eke main usaurokɛ eta'pɛ uya
apono' winipai, "Seri pe si Papa pata'se' man ka'pon
amɛ' piyau.

To' piyau iko
'manto' oton,
imunki amɛ' pe
to' e'to' oton.

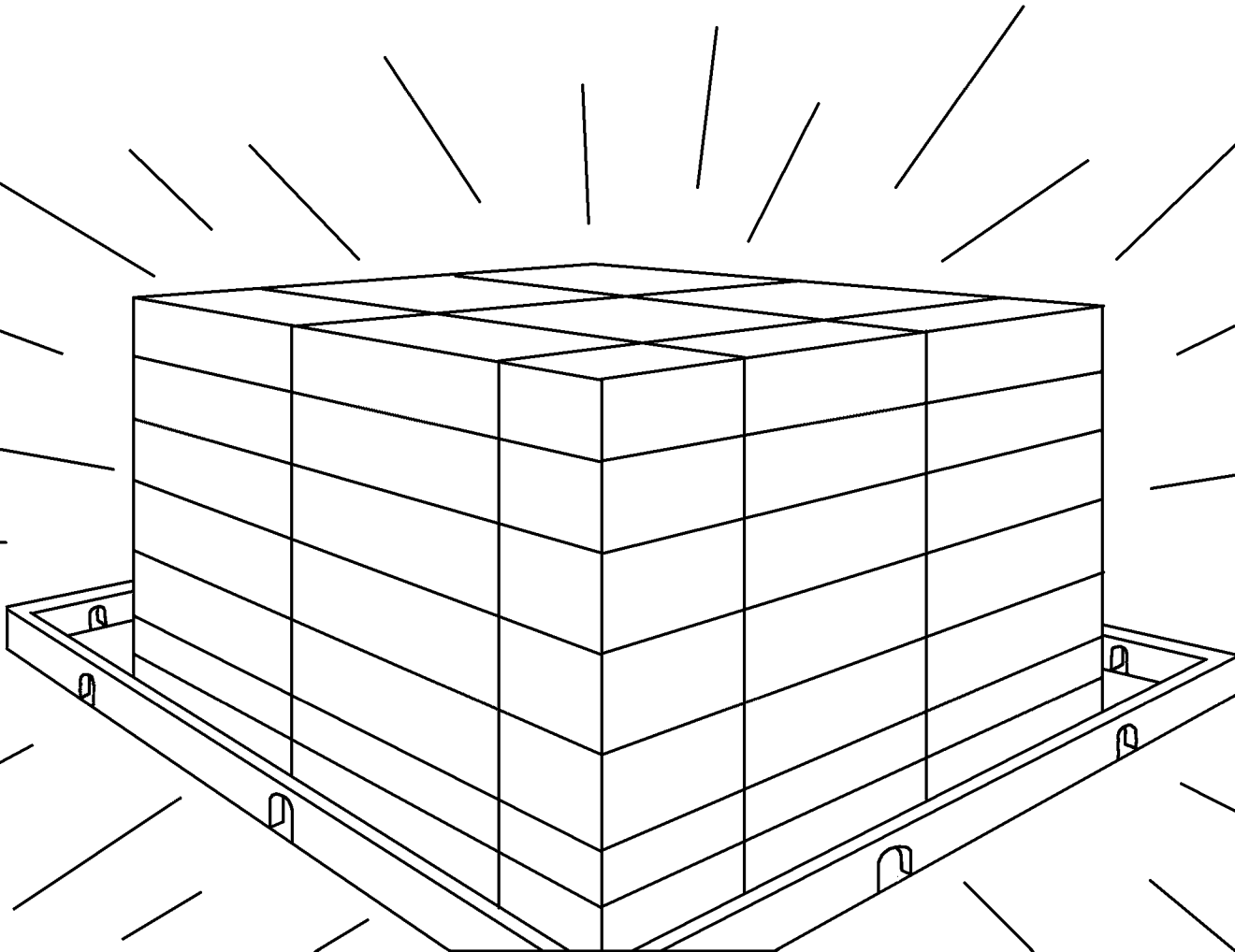
Tɛmiri pe kuru
Papa e'to' oton to'
piyau, itese' pi' to'
e'to' e' pe."



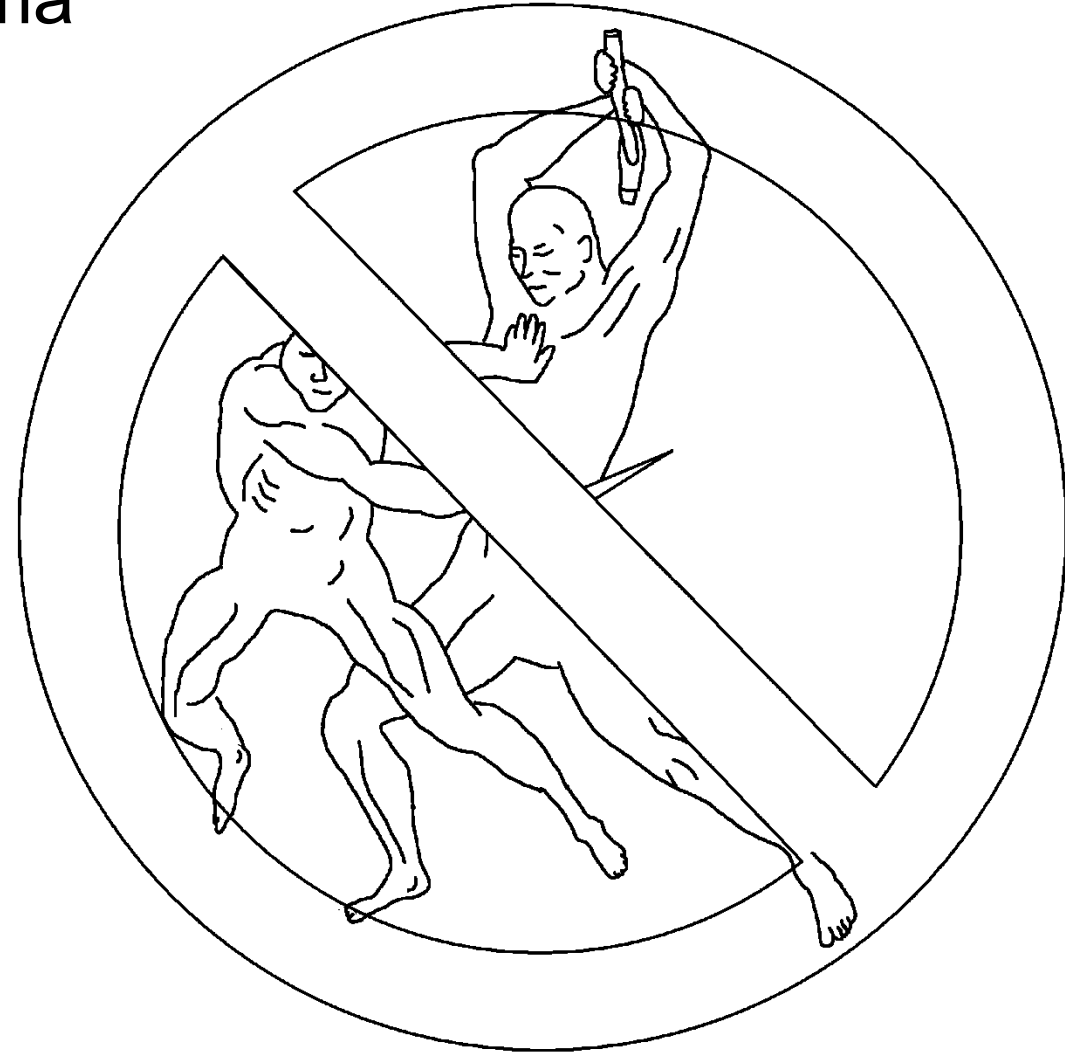
Inseru uya tuu'tisen tuna uko'man nito' tuna'kwaai
enpoika'pu uyena', awai'nan ti' kurestaru tato' warai,
Papa apon miri awonsi'ki karimeru mere apon winipai,
miripan u'ti esi'pu pata e'ma aporo' poro.



Miri pata esi w̄i enu i'se p̄ra r̄i, miri pe p̄ra kap̄i
t̄wei'tinin pe, ap̄ne p̄ra Papa a'kwarii uya r̄i iwei'ti,
miri awonsi'ki karimeru m̄re esi iraan'puui pe.



tri pe na'ne' ewonto' oton
pen ni miri pata ya', miri pe
pura inu' ri Papa ewaruma
ku'nin, miri pe pura kasi
pe te'sen, e'tane kamo
riken karimeru mre
uko'man nito' karetaai
pi' riken itese'
e'menukasa' kon
ewonto' oton iya'.



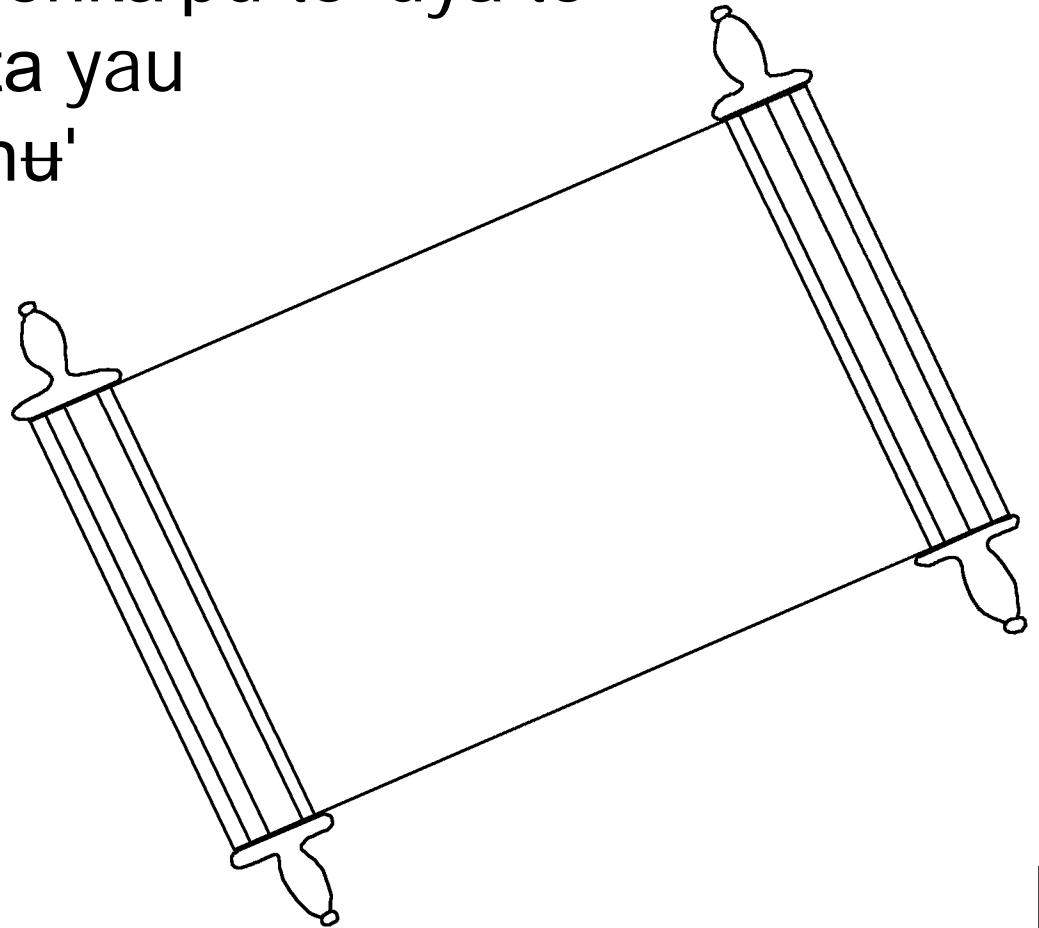
"Tanporo to' enu paru a'munakato' iya oton.
Eri'nito' p̄ra ri iye'to'oton, t̄uta'kwar̄kai'
ukaran ni p̄ra ri, ukaran
ni p̄ra ri, e'ne' p̄ra ri,
penaro' ton p̄ra iyesi
wenai," tawon.



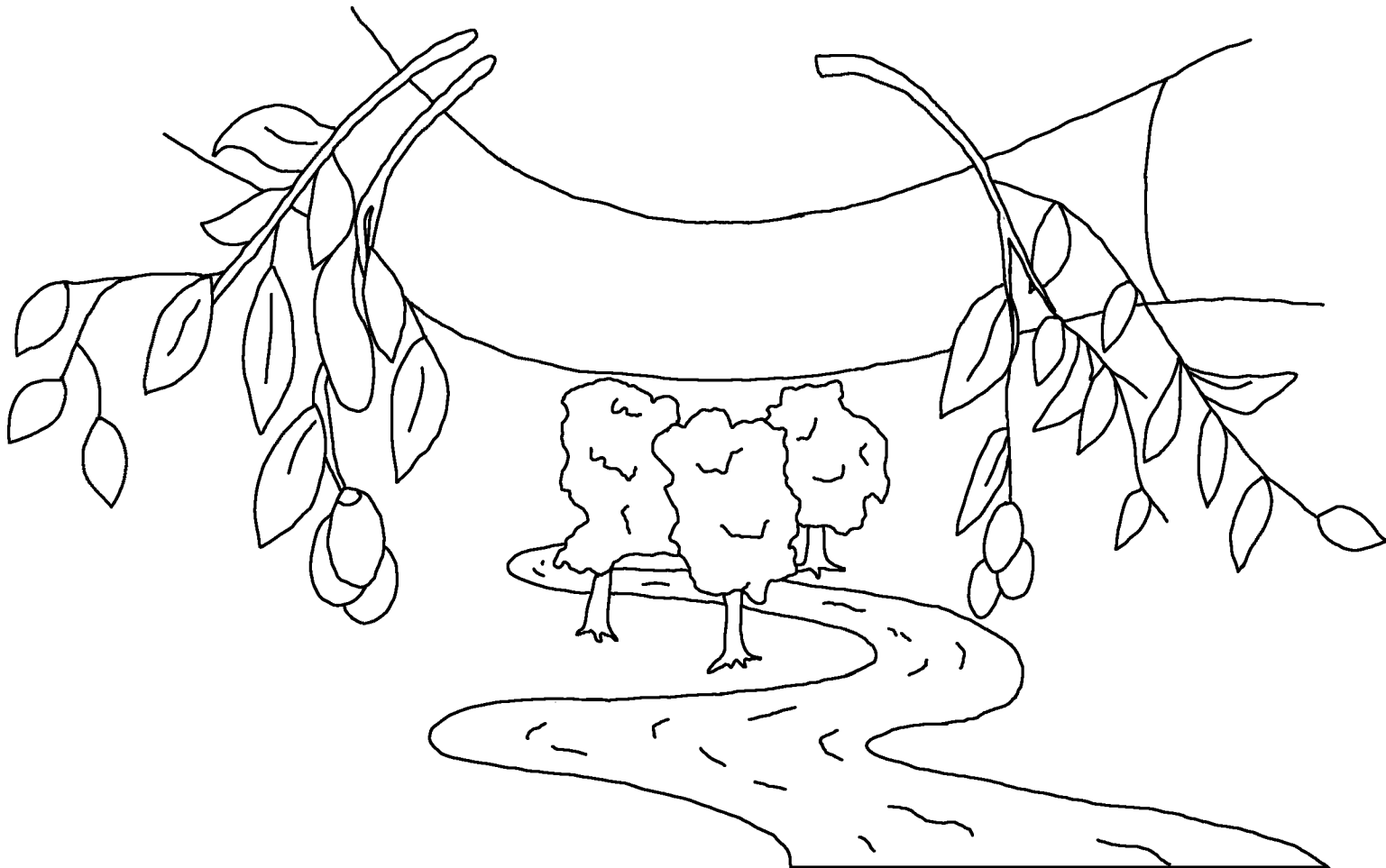
t'ri ri Papa nupa'nukupu e'to' oton pen ni miri pata yau.
Papa miri awonsi'ki karimeru mare apon e'to' oton miri
pata yau, miripan poitoru ton uya apuripi'to' oton. To'
uya itemu' ento' oton, itese'
e'menukasa' e'to' oton to'
pee'pi pi'ne.



Iyeri'sa' kon ene'pɥ uya, eke ton miri awonsi'ki
aiko ton pokon pe ri, to' e'mɥ'sa'kasa' apono' piyau.
Kareta amɥ' uta'koka'pɥ, miri awonsi'ki tɥron ni kareta
uta'koka'pɥ, seri esi tɥuko'manton kon karetaai.
Iyeri'sa' kon eseru aimenka'pɥ to' uya to'
nɥkupɥ'pɥ pikiri, kareta yau
iye'menukasa' pikiri. tɥɥ'
ri itese' e'menukasa'
eposa' pɥra iyesi
yau uko'man nito'
karetaai pi'eno'ma'pɥ
apo' ku'pɥri ka'.



Iya'kwarɛ miri awonsi'ki inmari'manɛ uri'san uya,
“tsi'ki!” ta, miri awonsi'ki inɛ ri seri etayai'ne', “tsi'ki!”
nikai ri mari. Tiwi tuna'kiri' ke na'ne' nɛyepɛi, tiwi i'se
na'ne' te'masen pen uko'man nito' tuna'kwaai anɛmɛi.



Ipan pe seri non pon kon i'nunka tɔuya
wenai, Papa uya tikiŋ nan kuru tɔmu
tɔrɔ'pɔ tanporo apurinin nan pe
te'san uma'ta namai', e'tane
tiwiri ri uko'man nito'
epoto' pe to'uya.



Ron 3:23 apune p̄ra tanporon kon n̄i umakoitasa' miri
awonsi'ki to' u'ma'sa' mi airi ri eke pe Papa
ku'to' tepose p̄ra.

Ron 6:23 Apune p̄ra makoi epe'p̄ esi uma'tan nito',
e'tane Papa e'repato' ike esi inke uko'man nito' K̄rai
Sises, uyepuru kon poro.

Ipuru 9:27 Ka'pon erik̄ t̄ikin ite'kwa na'ne' kasa,
miri t̄po eseru aimenkato' epoton pe,

E 'pe' sas 2:8,9 Apune p̄ra wak̄ nonkasa' wini
iyepika'tisa' kon, apurito' poro—miri awonsi'ki seri esi
iwinon kon pen, Papa n̄t̄ur̄n̄ miri— t̄rawaso pikiron
pen, in̄' ri utapuri namai'.



Ron 10:9,10 Anta ke ekama auya yau, "Sises esi Epuru wannɪ," tukai', miri awonsi'ki apurii'ma iyewan yau Papa uya i'mɛ'sa'ka'pɛ iyeri'sa' apai, iyepika'ti ri. Apɛne pɛra iyewan pokon pe apuri auya miri awonsi'ki iyekoneka, miri awonsi'ki anta ke ekama auya miri awonsi'ki si iyepika'ti.

Isaan 3:16,17 Ipan pe seri non pon kon i'nɛnka tɛuya wenai, Papa uya tikin nan kuru tɛmu tɛrɛ'pɛ tanporo apurinin nan pe te'san uma'ta namai', e'tane tiwiri ri uko'man nito' epoto' pe to' uya. Papa uya tɛmu enno'sa' pɛra iyesi seri non pon kon eseru aimenkanin pe, e'tane to' epika'tito' pe iporo.



1 Isaan 5:11-13 Seri si inekamanɛ: Papa uya tiwiri uko'man nito' ke repan nisa', seri si uko'man nito' esi imu yau. Kɛri imu esa' pe na'ne' esi uko'man nito' esa' pe; kɛri imu esa' pe pɛra na'ne' esi uko'man nito' esa' pe pɛra. Seri ton menuka uya seri iyena'nokon imiri'nokon Papa Mumu ese' apurinin nan, i'tu kon pa inke uko'man nito' esa' pe iwesi kon tukai'.



Isaan 14; 2 Koren 5;
Isenpoikasa' 4, 21, 22

Storyline by: Edward D. Hughes

Illustrated by: Lazarus
and Alastair Paterson

Adapted by: Sarah S.

Akawaio Bible (ake) © 2010, Wycliffe Bible Translators, Inc.
All rights reserved.

<https://www.bible.com/bible/308/MAT.1>

©2026 Bible for Children, Inc.

www.M1914.org

www.bibleforchildren.org

