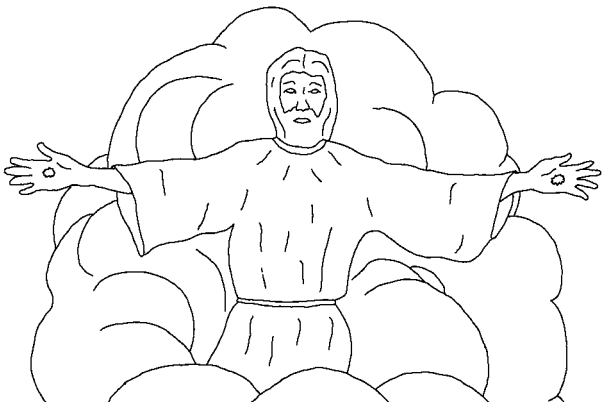




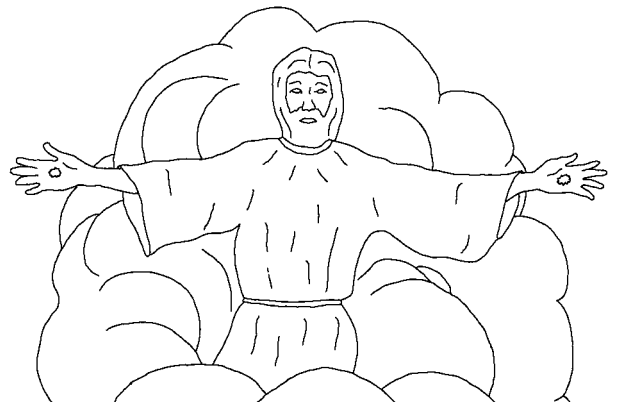
## Yaolhaq 14



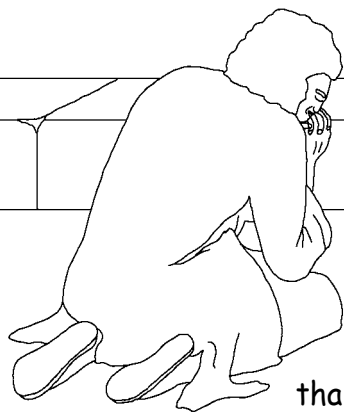
Yeiqsul aqyu juq bhai ge bhiq-a nail: "Nul juq nail neema bhai haq aoq thaq nl. Miqyail bhai neema thaq tsaol yaoq, ngaq bhai iqsanl neema thaq tsaol yaoq. Ngaq nail Aqbhu nail ilkhaol bhai jaol duq jiaiv gao nail ngaol."



Ngal nul juq nail haqbhoil jaol duq lav sav lai naol. Jaol duq maq jiaiv-ail nul neq, maq jiaiv-ail dai, ngal daol coev dai, ge bhiq nail ngaol. Ngal jaol duq lav sav gaq-u phao, nul juq bhai gaoq hevq lee khi, ngaq-ai nee mail bhi jaol lal naol."



Ngal neq, nul juq nail aqivq jaqbheq Yaol haq ngaol. Khoeq nail pha q bhai maqkhaiq, Miqyail Milkhaoq bhai maqkhaiq, ol nail pha q

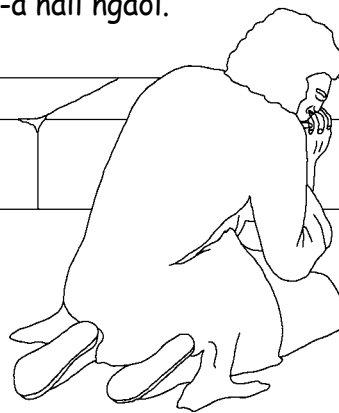


bhai maqkhaiq,  
Yeiqsul nail  
lavqkhoel ngal nul  
juq nee mail daq  
thail thaiq nail ngaol.

3

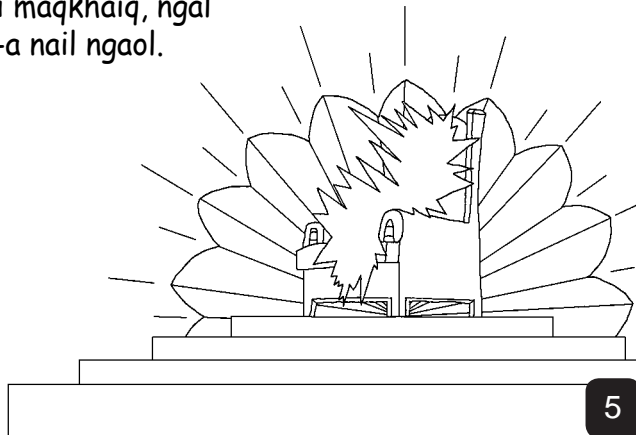
Ngal Miqyail nail daoq cavq cavq ail, Yeiqsul nail ganl salkhil khanq nail bha q da nee, Bhaqmol khul nail eel jaollaol-n bhai bhi nieil

dai aivq-a nail ngaol.



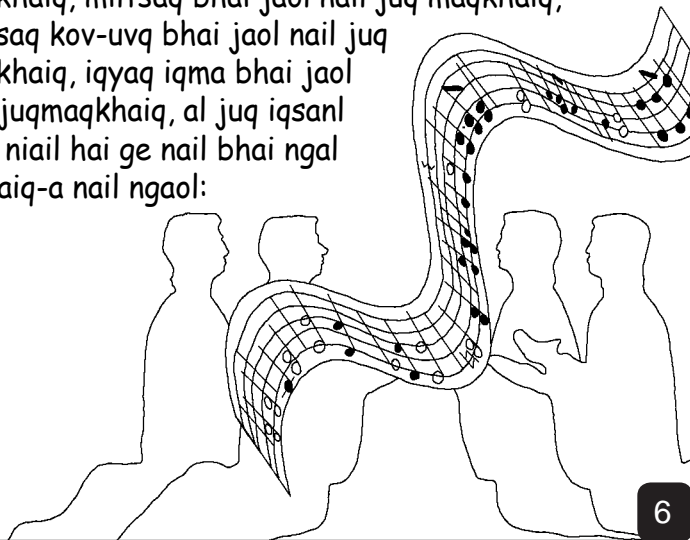
4

Aq-u phao, teevq pov taivq-ail, Aqhaqlal Miqyail ngaq bhai uv thaiq lee-a nail ngaol. Hel daiq dei-eiq. Nqtavq kovtavq bhai doiqbev bev ma jia v nail bhai maqkhaiq, doiqbev bev ma al bhai teevq ga q jaol deel-nvq tha q nail bhai maqkhaiq, ngal ya moel-a nail ngaol.



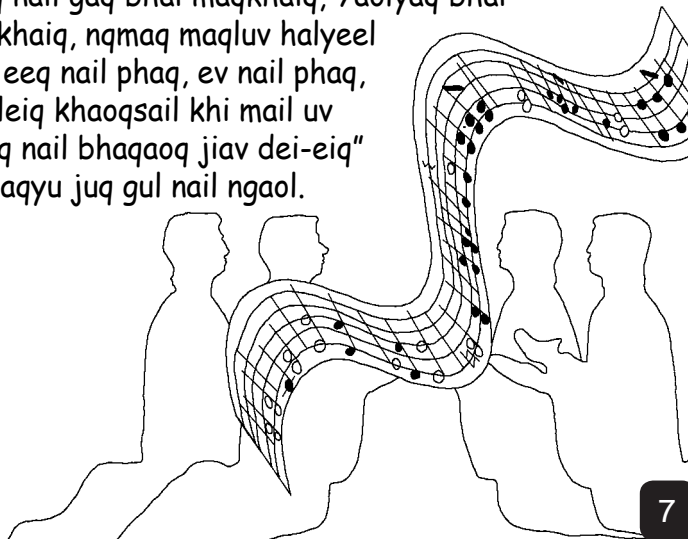
5

A bhai nee ngal-aq, nqtavq kovtavq bhai jaol nail juq maqkhaiq, miltsaq bhai jaol nail juq maqkhaiq, miltsaq kov-uvq bhai jaol nail juq maqkhaiq, iqya q iqma bhai jaol nail juqmaqkhaiq, al juq iqsanl mail nia il hai ge nail bhai ngal ya gaiq-a nail ngaol:



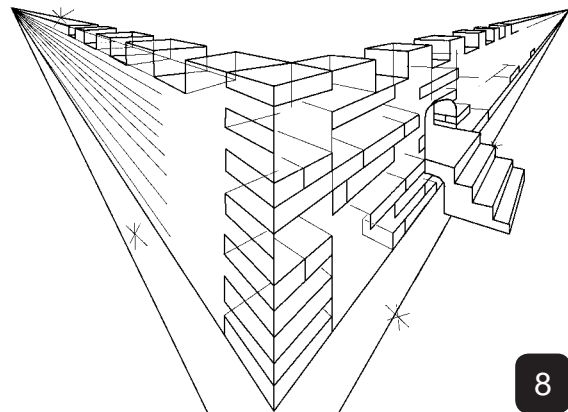
6

"Joiqja q doiqbev bev ma bhai jaol deel-nvq tha q nail ga q bhai maqkhaiq, Yaolya q bhai maqkhaiq, nqmaq maqluv halyeel tsiq ee q nail pha q, ev nail pha q, seiqlai q kha oqsail khi mail uv thai q nail bha qao q jia v dei-eiq" dai, aqyu juq gul nail ngaol.



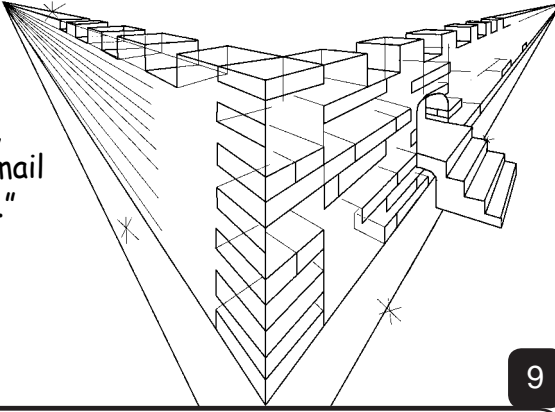
7

Aq-u phao, mee q nail haol nail Yeiqsulsaqlai q meenq aqsi vq Miqyail jaol nail nqtavq kovtavq nee ya vq kha lee thail thai q nail bhai, ngal ya moel-a nail ngaol. Meenq al meenq neq, maol ail nail yaqmai-a q yaqnoil khe-ai, aqmee q-ai lainq-ai tha q nail ngaol.



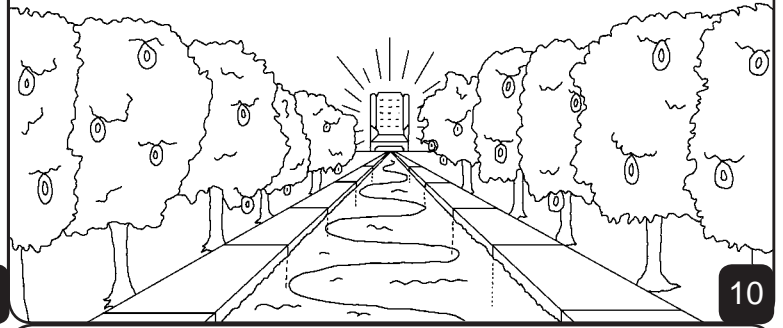
8

Doiq bev bev ma nee mail, kav dee dee nail aqthel gul dov-ai leevq nail bhai, ngal ya gaiq-a nail ngaol. Aq thel al neq, niail hai gul nail ngaol: "Hel daiq dei-eiq. Miqyail nail jaol duq tsaol-aq jaol nail bha jiaiv lee khi, aivq tsaol-aq yaq nee mail jaol nail ngaol. Aqyu juq neq, Miqyail nail tsaol-aq pevq khi, Miqyail iqsanl, aqyu juq nee mail jaol nail ngaol."



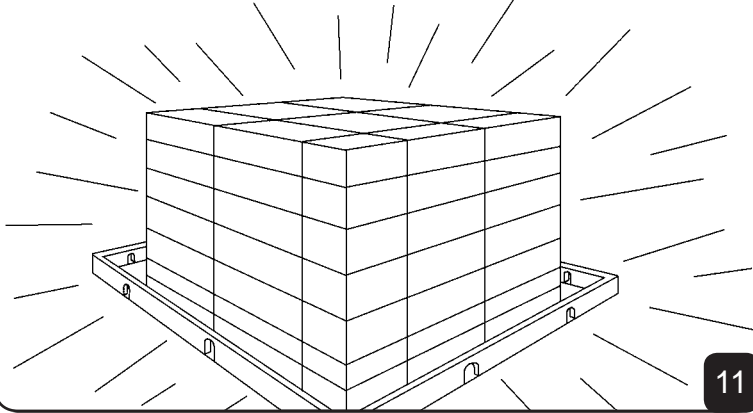
9

A bhai nee ngal-aq, nqtavq gaqkhoel al gaq, aqdoevq bhi doevq nail laoljaol ngaq bhai cavq naq lavq-a nail ngaol. Miqyail khi Yaolyaq nail joiq jaq doiqbev nee il dov lee khi, sainl khe-ai dul nail haol taiv deel laoljaol pevq nail ngaol.



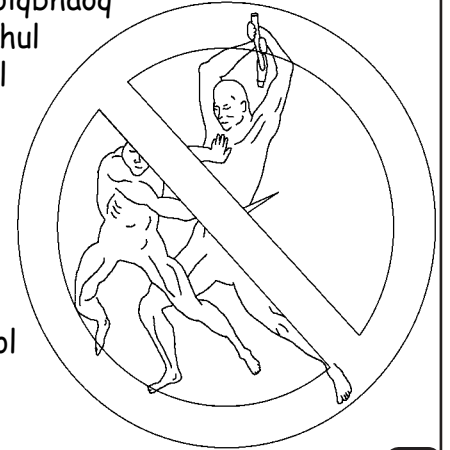
10

Meenq al meenq nail lavqkhoel bhai nlma nail aqbhaq khi bhala nail aqbhaq maq loq-ail. Khul khi mail dai ngal-aq neq, Miqyail nail seiqleiq khaoqsail meenq al meenq bhai aqbhaq bhaq khi, Yaolyaq neq, meenq al meenq nail phalmanq pevq nail ngaol.



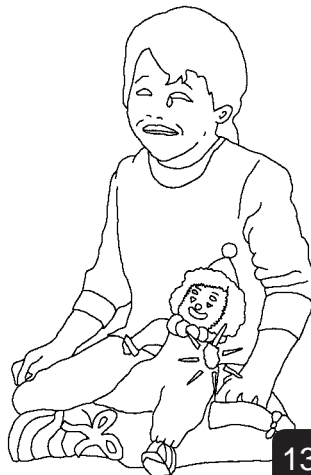
11

Aqjiivq aq cavq khul pha q maqkhaiq, meenq al meenq bhai maq ya oil bhoel laivq-ail. Aqjiivq aq cavq pha q nl-a nail tsaol-aq khi goiqbhaq bhaq-a nail tsaol-aq khul gaq maqkhaiq, meenq al meenq bhai maq ya aol lai-ail. Yaolyaq nail aqdoevq bhi doevq nail haoqgvq phaldoiq lavqkhoel bhai aqmil gevq bhoel-ai tha q nail tsaol-aq taivq-ail, ya aol lai nail ngaol.



12

"Aivq aqyu juq nail maivbhil iqsanl mail siv bhiq nail ngaol. Sil nail pha q maq jiaiv yaoq-aol. Noeq haq nail pha q, nioil khaoq khaoq nail pha q, nal nail goel nail pha q, niil juq iqsanl maq jiaiv yaoq-aol. Khul khi mail dai ngal-aq neq, iqmoeq-u phao jiaiv-a nail juq peivq gil ail-aoq nail ngaol" dai, ge nail ngaol.



13

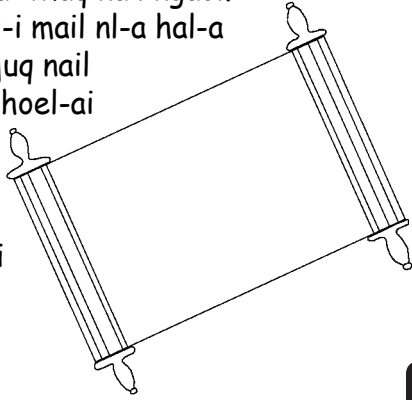
Niai nee pultavq neq, khul pha q maqkhaiq ivqkhail yavq nail bhai maq ya daq yaoq-aol. Meenq al meenq bhai Miqyail khi Yaolyaq nail joiq jaq doiqbev bev ma jiaiv khi, aivq nail yaqkav juq aivq bhai uqhuq tha oq nail ngaol.

Aqyu juq aivq nail maivphaoq bhai ya moel khi, aqyu juq nail neeqthel bhai aivq nail aqmil gevq-ai tha q nail ngaol.



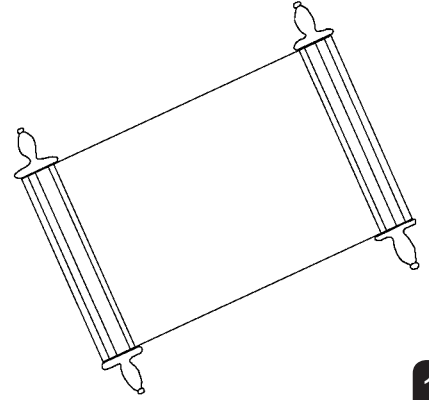
14

Sil-a nail eeq yaq nil yaq iqsanl mail, doiqbev bev ma al nail sivtavq bhai thul phaol-nvq thaq nail bhai, ngal ya moel-a nail ngaol. Aq-u phao, haoqgavq juq phao-ai thaq nail ngaol. Aq doevq bhi doevq nail haoqgavq phaldoiq iqsanl phao-ai thaq nail ngaol. Sil-a nail tsaol-aq juq-i mail nl-a hal-a nail juq, haoqgavq al juq nail lavqkhoel bhai gevq bhoel-ai thaq nail khe-ai, gevq bhoel-ai thaq nail al juq bhai hel daiq hel daiq ail, aqyu juq bhai yalkhaq dal bhiq nail ngaol.



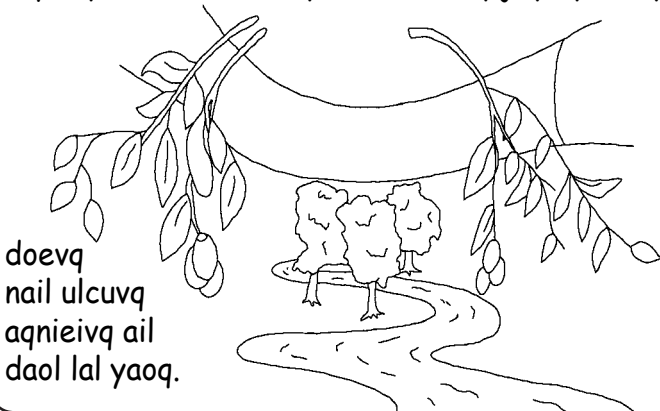
15

Aq doevq bhi doevq nail haoqgavq phaldoiq lavqkhoel bhai aqmil maq gevq bhoel-ai thaq nail tsaol-aq iqsanl bhai, miqjaq nail ngaqkha bhai, bavqpuvq nail ngaol.



16

Aqhaqlal Miqyail khi, maol ail nail dai, lainq-ai thaq nail yaqmai-aq al gaq, "Lal yaoq" dai, khul nail ngaol. Khal ya gaiq-a nail tsaol-aq juq iqsanl mail "Lal yaoq" dai, khul nail ngaol. Ulcuvq khal moevq nail tsaol-aq lal yaoq. Khal daol movq nail tsaol-aq juq aqdoevq bhi



17

Yeiqsul gaoq ge nail: Miqyail miltsaq yaq bhai gaiq-a dee dee nail ngel-i mail, aivq nail Yaqyov teevq gaq teevq-eel ngaol-aq, bivq lavq-a nail ngaol. Yaqyov bhai neema khal thaq tsaol nail tsaol-aq maq ya cov ail nail nee ovqtavq, nqmaq maqluv halyeel ya doevq nail ngaol.

60

60

18

Lolmav 3:23 Khul khi mail dai ngal-aq neq, tsaol-aq iqsanl mail oeqbal nl-a nail ngel-i mail, Miqyail nail seiqlaiq khaqsail bhai maq ya nia-ail.

Lolmav 6:23 Oeqbal nail aqphoiq neq, ya sil nail ngaol. Thail hai ngaol-aq, Miqyail-i mail ngadao bhai aqnieivq ail bivq lavq-a nail kovpavq neq, ngadao nail Heeqphaq Yeiqsul Khali bhaq da nee, nqmaq maqluv halyeel ya doevq nail ngaol.

Heiqbhail 9:27 Ngadao tsaol-aq teevq pov ya sil khi, yaqhao yalkhaq dal nail bhai ya daq nail ngaol.

19

Eilpheilsu 2:8,9 Nul juq neema thaq tsaol nail lavqkhoel Miqyail nail geeqlaoq eel jaol bhaq da nee, hevq kovq nail pha q ya-a nail ngaol. Yovqgavq bhai yovqgavq nl-a hal-a nail bhaq da nee ya-a nail maq ngel-ail. Miqyail-i mail bivq lavq-a nail kovpavq ngaol. Nil nail hal nail bhaq da nee ya-a nail maq ngel-ail. Al heel ngel-i mail, tsaol-aq teevq gaq iqsanl neema eeq duq maq jiv-ail.

Lolmav 10:9,10 "Yeiqsul neq, Heeqphaq ngaol" dai, naoq nail moeqthaoq khaq khi, "Miqyail aivq bhai bhi doevq kovq lal-a nail ngaol" dai, naoq nail neema lavqkhoel nee, neema thaq tsaol haq neq, Miqyail naoq bhai hevq kovq lavq nail ngaol. Neema lavqkhoel nee, neema thaq tsaol nail ngel-i mail, Miqyail nail sivtavq bhai tsaq nail daol nail tsaol-aq pevq lal khi, moeqthaoq khaq-a nail ngel-i mail, hevq kovq nail pha q ya-a nail ngaol.

20

Yaolhaq 3:16,17 Yeiqsul gaoq ge nail: "Miqyail miltsaq yaq bhai gaiq-a dee dee nail ngel-i mail, aivq nail Yaqyov teevq gaq teevq-eel ngaol-aoq, bivq lavq-a nail ngaol. Yaqyov bhai neema khal thaq tsaol nail tsaol-aq maq ya cov ail nail nee ovqtavq, nqmaq maqluv halyeel ya doevq nail ngaol.

Khul khi mail dai ngal-aq neq, miltsaq yaq bhai yalkhaq bhi dal nail dai khi, Miqyail aivq nail Yaqyov miltsaq bhai bhi lee-a nail maq ngel-ail. Miltsaq yaq bhai bhi hevq kovq lee-a nail ngaol."

21

1 Yaolhaq 5:11-13 Miqyail salkhil khanq nail al neq, ngadao bhai nqmaq maqluv halyeel doevq nail phaqaq bivq lavq-a nail ngaol. Nq maq maq luv hal yeel doevq nail al neq, aivq nail Yaqyov nail lavqkhoel bhai aol nail ngaol.

Yaqyov bhai hav bhoel nail tsaol-aq, doevq nail phaqaq ya nail ngaol. Yaqyov bhai maq hav bhoel nail tsaol-aq, doevq nail phaqaq maq ya-ail.

Miqyail nail Yaqyov nail aqmil bhai neema thaqaq tsaol nail nul juq, nqmaq maqluv halyeel doevq nail phaqaq ya nail ngaol dai, nul juq ya heeq kivq dai, ngal nul juq bhai haoqgavq niil gevq bhoel-ai leevq-a nail ngaol.

22

Yaolhaq 14; 2 Gaolliqthu 5; Phaodaiq 4, 21, 22

Storyline by: Edward D. Hughes

Illustrated by: Lazarus  
and Alastair Paterson

Adapted by: Sarah S.

Akeu Bible (aeu) © 2016, Wycliffe Bible Translators,  
Inc. All rights reserved.

<https://live.bible.is/bible/AEUWBT/GEN/1>

©2024 Bible for Children, Inc.  
www.M1914.org    www.bibleforchildren.org

23