

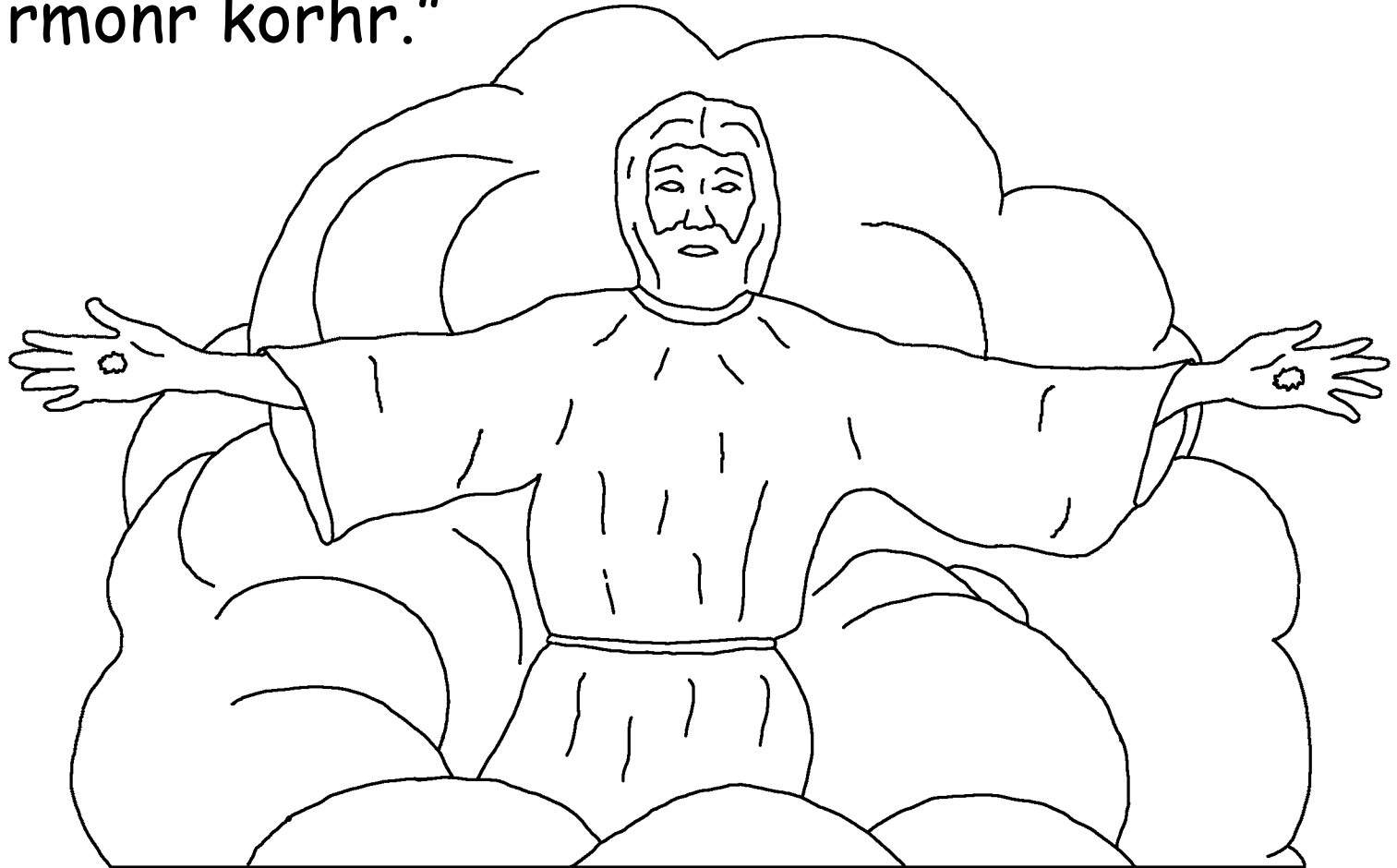
www.BibleForChildren.org



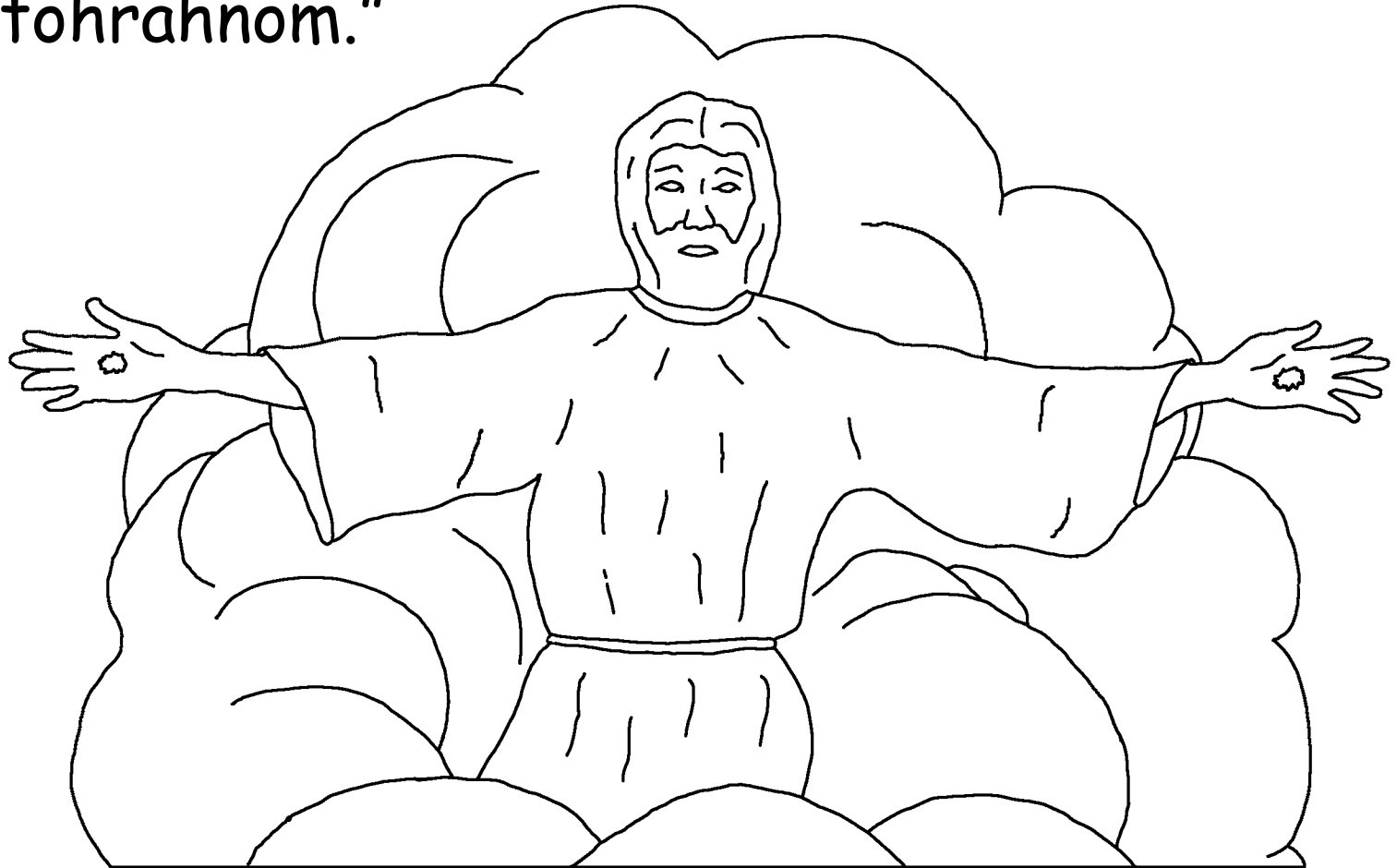
Jon 14



Jisasr tfit kfo memorm, "Niko nda mrokfot wanuk-wohat mirahko bok dukefm ayakkah-nomn yima yuhum akrhomnom. Nikmoh dukefm be Bro Nkifrar duka yo na duka, be nd dukefrparpno rhukfot. Nanhu Yifemrhu kmir yonmari yonmari kuny rmonr korhr."

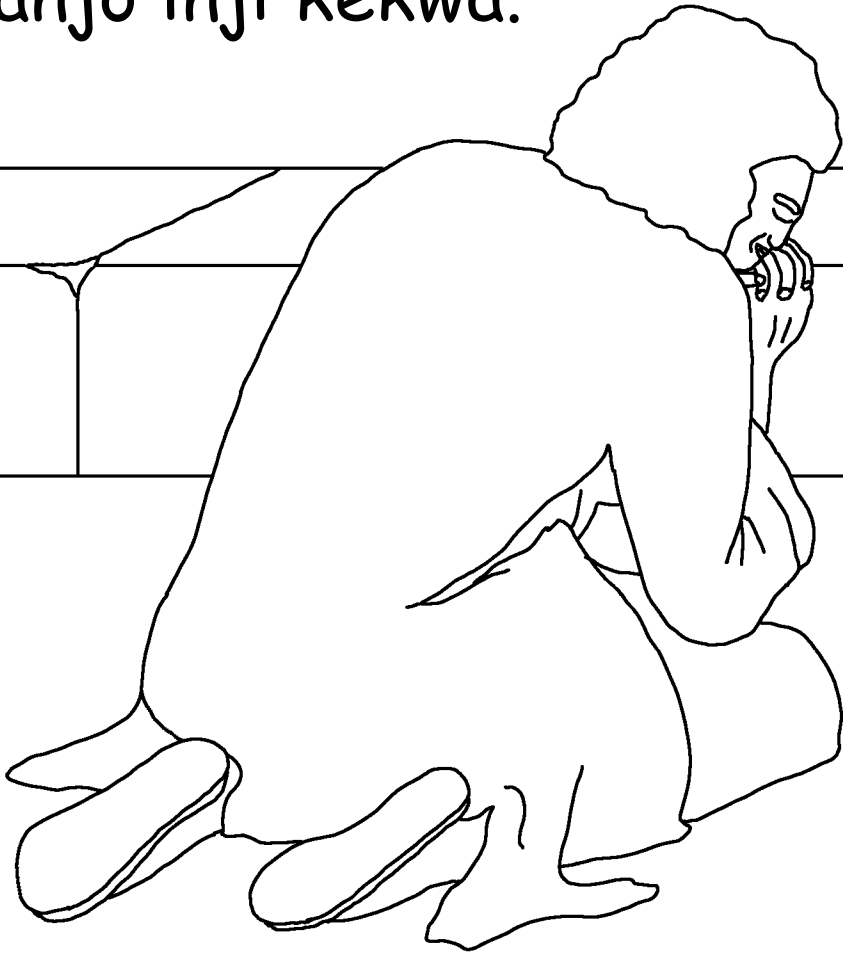


"Ndnatn na yi shombat nikmoh kunyroh bi yak hta hanyneftn bi yi hanyruha. Be kuny rmon duha arhut na nhai inji kfo tany hanyrfotanko. Na yi shombat kuny rmonm yak marnya hta tanyrhoyanmn tfit niahato miyak htiyakhato be rpat yihato rpat nanpro rpat tohrahnom."



Na Jona, nani nikom nom rpat Jisasr hikwonom.
Nd yuhatn nom najohfiyenom. Niko Jisasr
hikhato yekwa krhopam na to niko

yekwa kanjo inji kekwa.



Nd Jisasrhu
kingdomkfot
na rpat
tohnuhiwoyann,

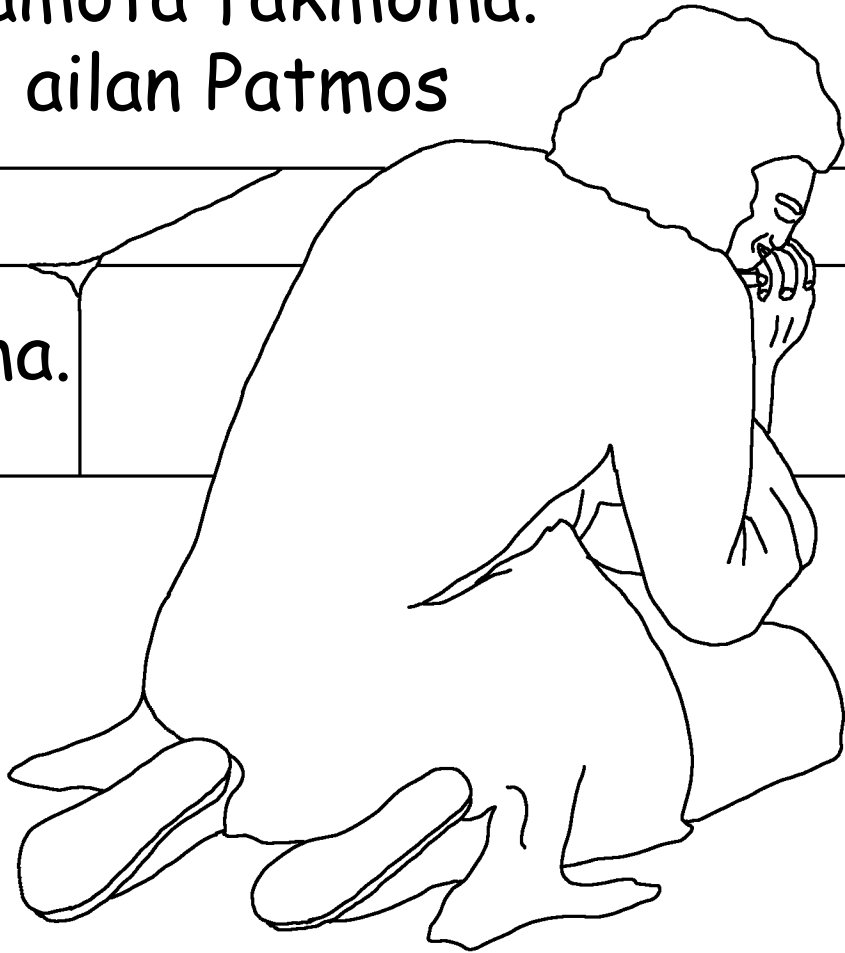
...



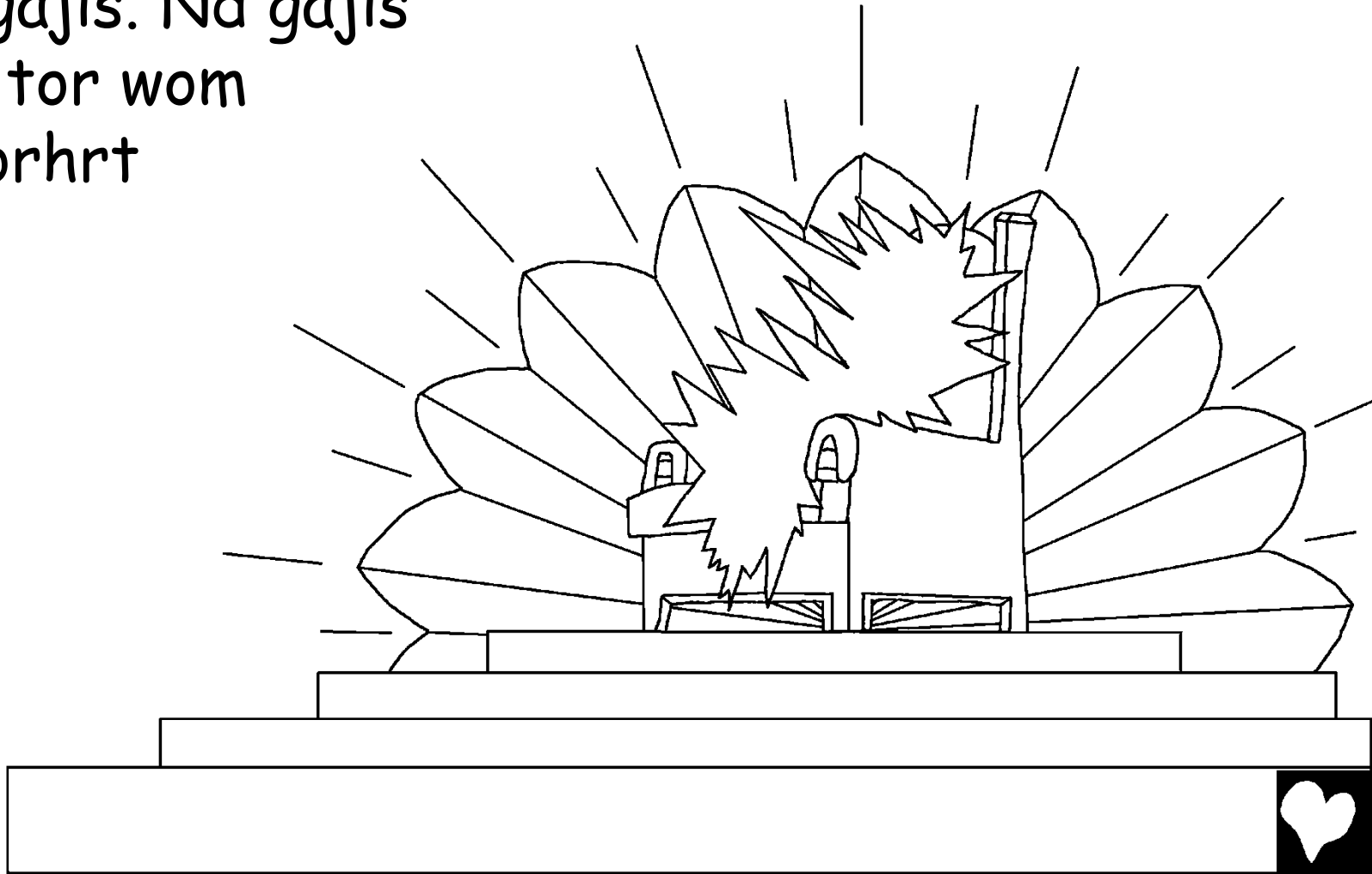
... krhopam niewam nom rpat rpat toh bmtahato
krhopam kekwonomm. Bro Nkifrar-pno niayuk
mrokfom, yo Jisasr yak nuhasyuk nefm

kfo pthamota fakmoma.
Yakhato ailan Patmos

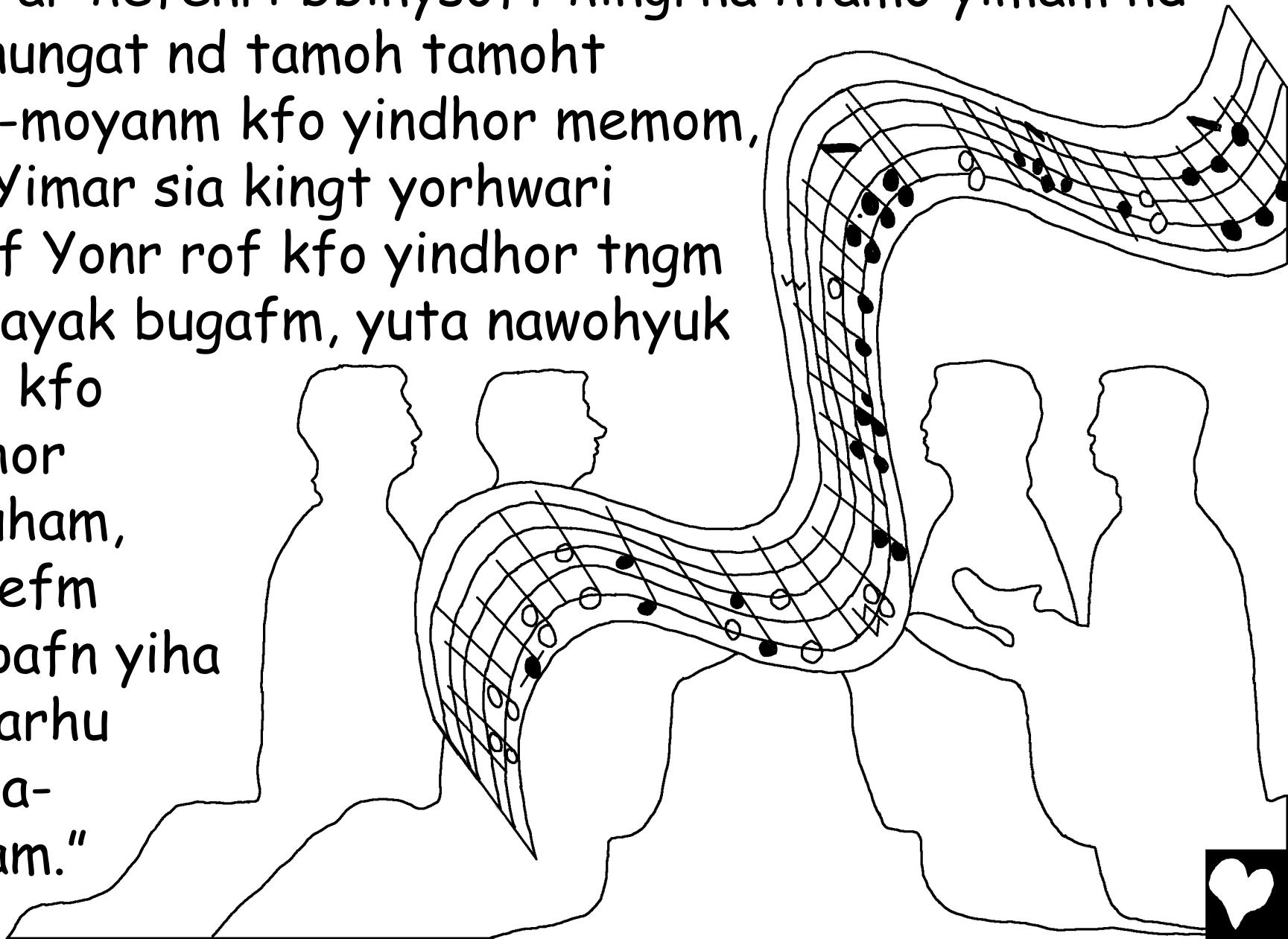
htamoma.



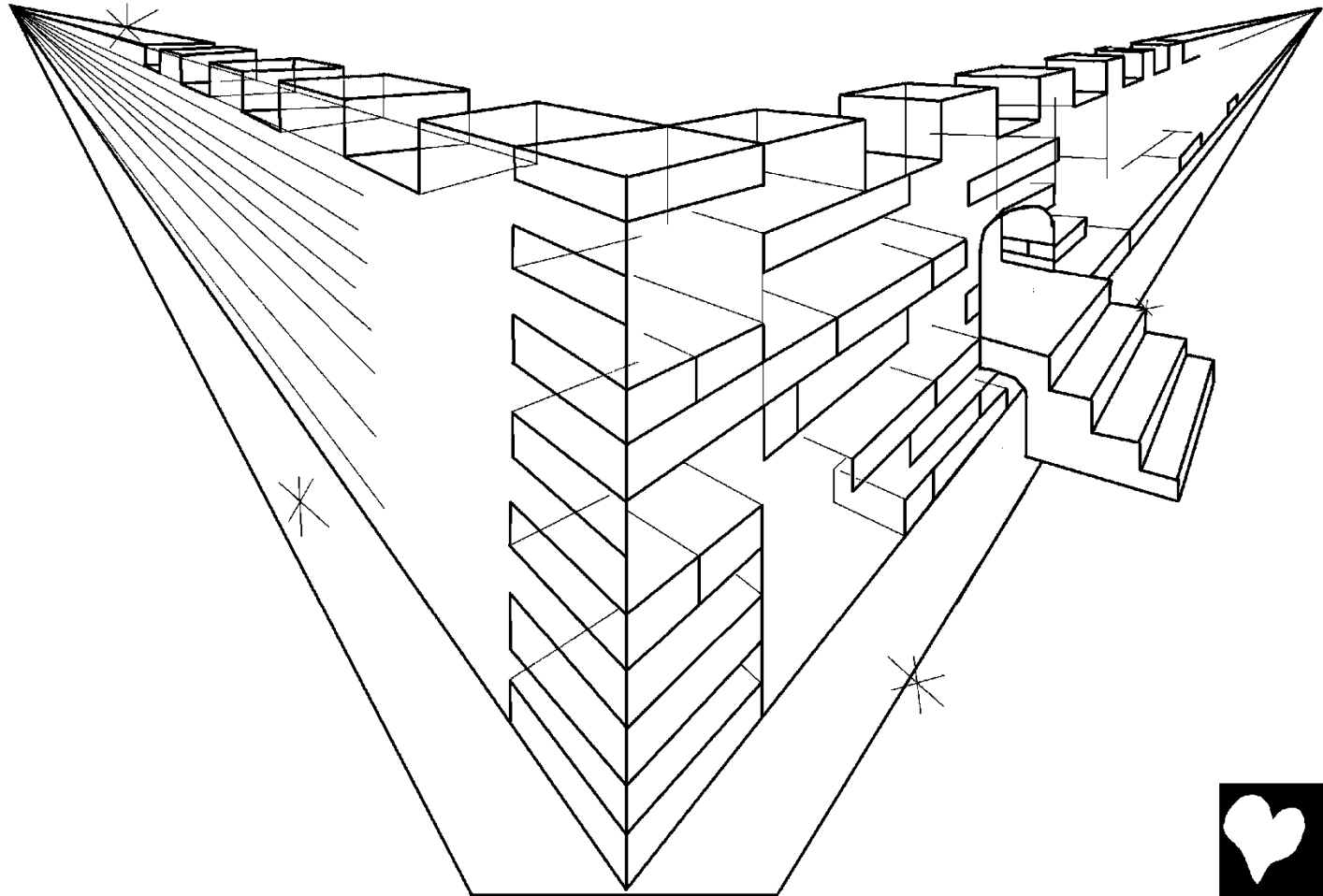
Be inji htini hanyhato yudbat tfit Bro Nkifrarhu
Yafothat toh hongmbakna-motta nyingam
frkrekuthato hefenr hti hanymoyanr. Nyingam
frkekutni-hato hefenr htimohat htimoyant kingm
yorhwa gajis. Nd gajis
htimoya tor wom
Yimar korhrt
nd gajis.



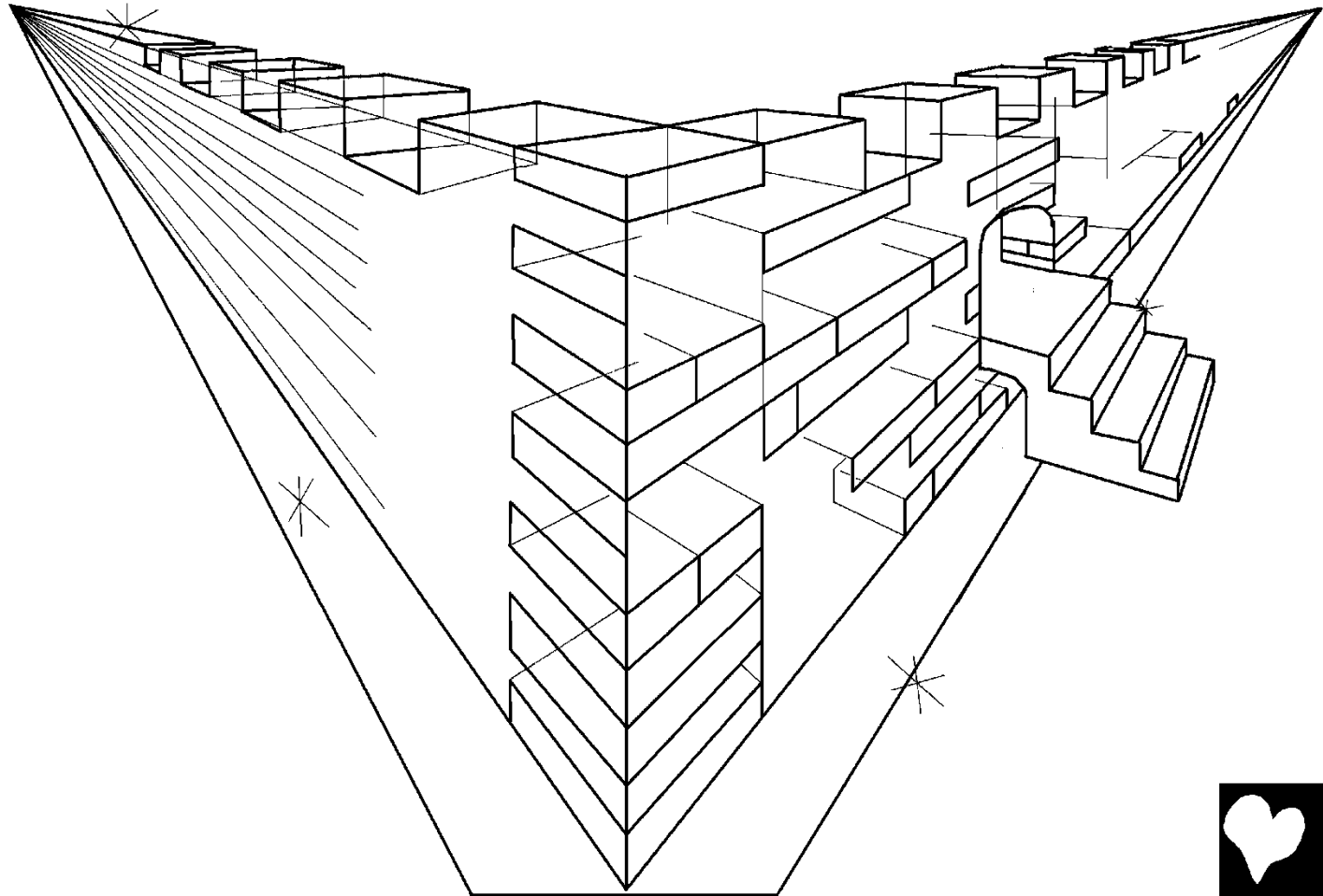
Nd mounmotroh tngm wanyni hanyhato tfit Bro
Nkifrar hefenri bbinysoft hingrna htamo yimam nd
foh nungat nd tamoh tamoh
wany-moyanm kfo yindhor memom,
"Nd Yimar sia kingt yorhwari
Sifsif Yonr rof kfo yindhor tngm
rpat ayak bugafm, yuta nawohyuk
tngm kfo
yindhor
nmbuham,
bbukefm
rof rpafrn yiha
yiha arhu
nkifra-
nitwam."



Yo Bro Nkifrarhu nfri taun Jerusalemr
wuhtiyakmoyanr Bro Nkifrarpho yura kmi hefenr
wutoh tanyhato fawihna-mor. Nd kmir rorhu
wondhtpno yawihnamohat memom nndo mettn wondh
marnya bomarnyetn bi niewut ram kunysn.



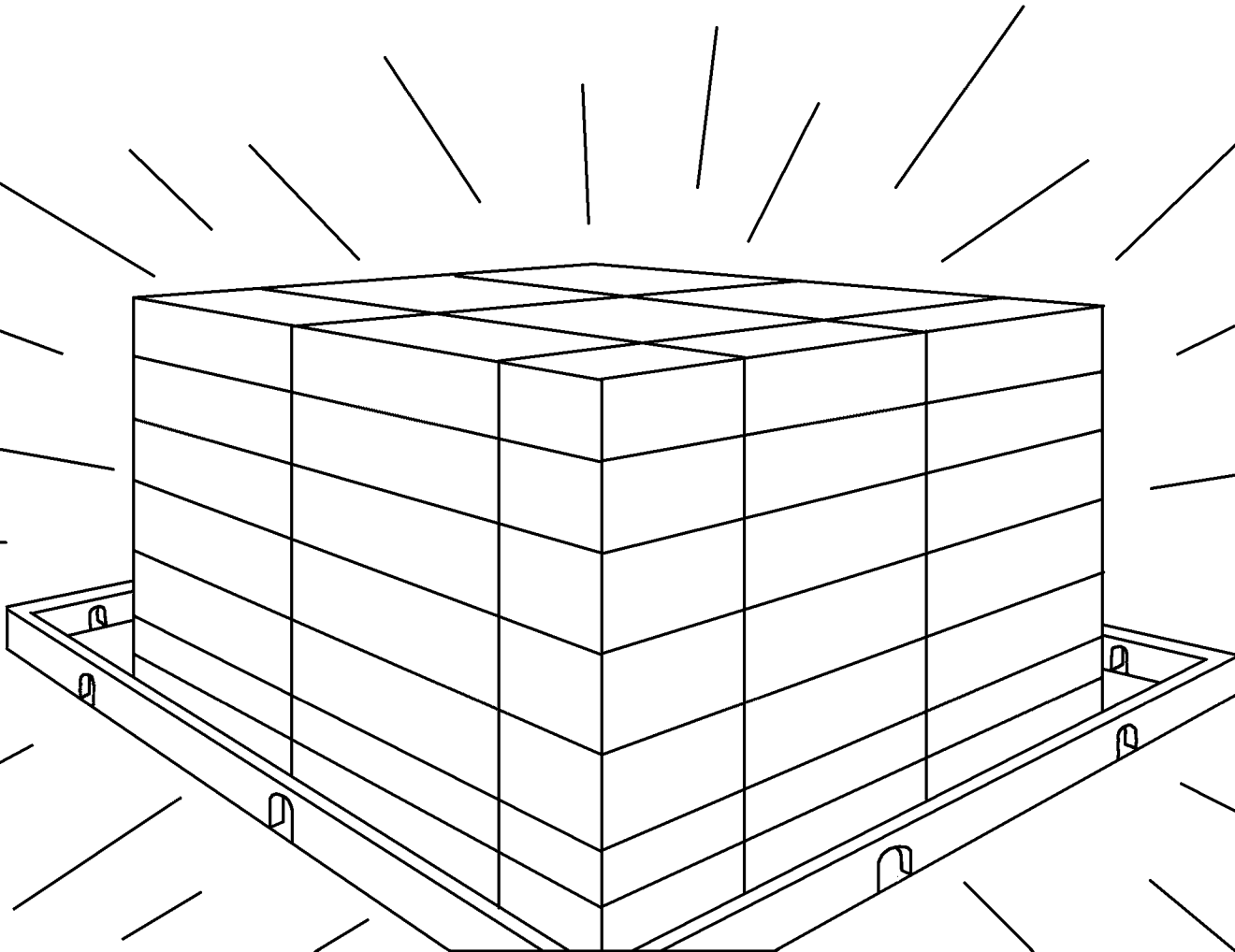
Yo sia kingtpno wom bro tngt wanyakmoyant kfo
nakuyaf memot, "Wawanyko! Bro Nkifrar be bi
yawihnehato yimampno tohwor. Rompno tohruharn
rorhu yufat hta-rahrm. Rorhu yufat htaruhatrm
yimam rorn yima yuhum htahato rorn lotu hakurahm."



Mounmotr nd nfri Jerusalemr yak nuhasnimora, ee
ffit nd kmitpno tonita tekt fak nuhasmora. Nd
tekthu bupam yimam yak yanyeft toh yifahtewum.
Nd tekt memom nndo binasohtn kak dbratwot. Nd
tek bukt myakmo tkitt, Bro Nkifrari Sifsif Yonr,
rofhu sia kingtpno myakmotn, tu buha bro yihota
danyuha yuhatn tone nanyormot.



Yo nd taunt nhai marr tarmor o yamt tarmot. Nhai.
Tu Bro Nkifrarhu nukerpat fakmott. Yo Sifsif
Yonrn taunthu lamr rhumor.



Tmift nd fasoh fasoh shrkar, yo nd fasoh
fasoh nefm nayet yimam yo nd
kfo fura bofura hanyet
yimam, nhai nd taunt
yiruhatm. Be tu nhai
mif. Yimam bi rroh
yufam bi nd Sisif
Yonrhu toh
nkifraniyuk
gonborngtn htetm,
romrpam nd
taunt fknirahm.



"Rroh nur nyingam rorn yak thurahrm. Yimam be
nhai wom nohruhadm o nhai wom nurhato yima noh
bb kunys rhuruhadm o nhai wom penkfot
yakruhadm. Nd bingot rhumo
ruheft nhai wom tfit
rhuruhatt."



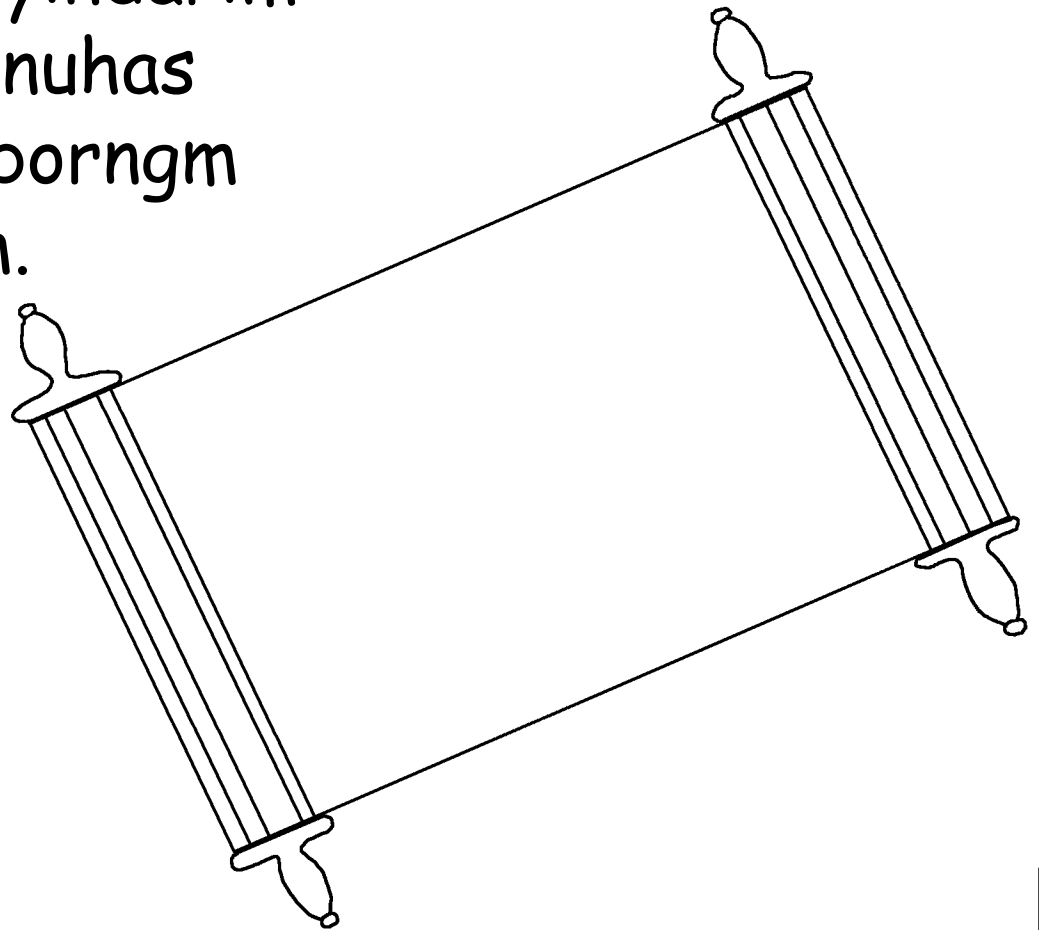
Bro Nkifrar bi fitoh shrkam o fitoh yimam bi kfir
yak thuneft, to be yak thurahrm. Nhai nd nfri kmir
rhuruhatm. Bro Nkifrari Sifsif Yonr, rofhu sia kingrn
nd kmir rhuruhatr Bro Nkifrar hikwa yimam nd sia
kingrnyi loturahm.

Lotuhato rorhu
nyingatikt
htiruhamt
rorhu yufat
rroh nyimbikmn
rhuraht.

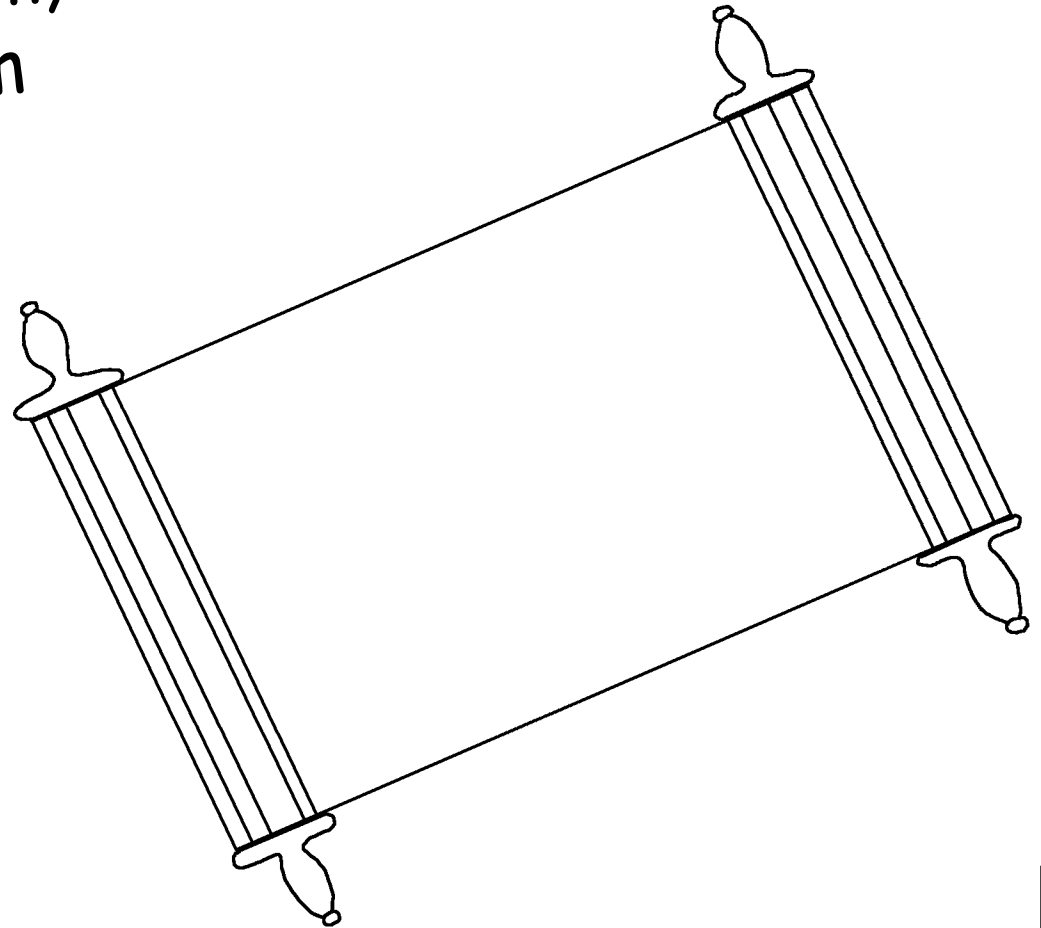


Ee tom tfit htiyak hany-moya nd bi noh hanymo
yufet yufet yimam yo yufa duha yufa duha
yimam myak dborhahato nd sia kingthu
nyingatikko mtoh hanymom. Mtoh
hanymotm ee nd met yindarim
nahanyuk nefroh kfo nuhas
mrokfom yorhwa gonborngm
mounmotm fak-momm.

Yo tfit toh
yifahtayuk yimaroh
yufam yorhwa
wom bro
gonborngt fakmomt.

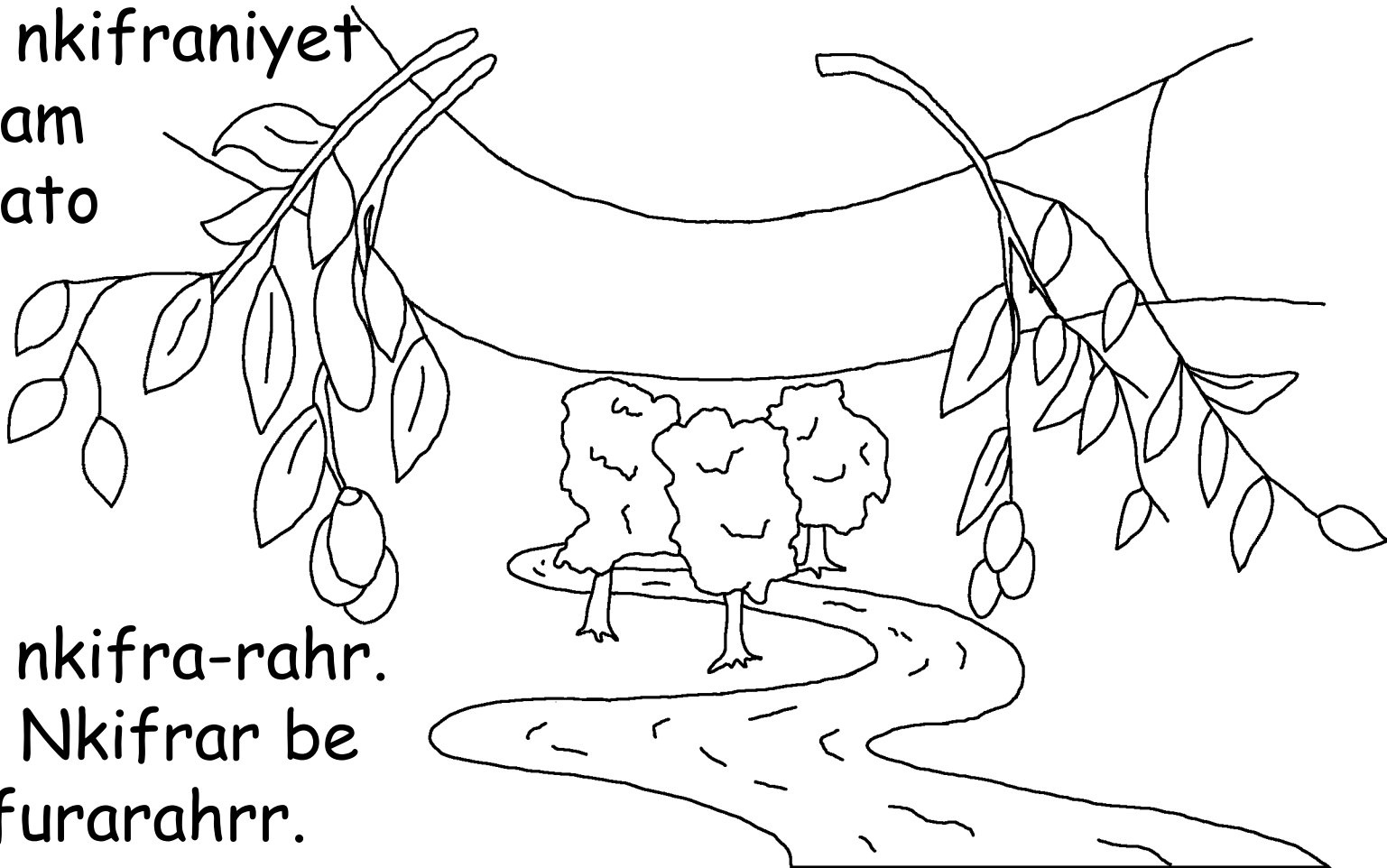


Yak htatahato nd gonborngm rhuyuk kfo nuhas
mrokfomn sia kingt rhuyuk yimar htiyak hanyhato
fak hta bohtamorm yimam. Yo nd
yimam toh nkifraniyuk yimaroh
yufam rhu duha yimom,
yakmomm watu-momm
nd bro muhr mkur
fnahwa bro kahtn.



Bro Nkifrarhu Yafothati Sifsif Yonrhu yakyuk mett
kfo naku kangf, "Jisase, wania." To tfit nd
gonborngthu mrokfot wanyuk yimako tawo kfo
mekfot, "Jisase, wania." Frohr bupa knewur, nd yimar
niakfot. Yimar kangr bupa ayeya, nd yimar niahato nd

toh nkifraniyet
bupam
yehato



toh nkifra-rahr.
Bro Nkifrar be
he furarahrr.



Bro Nkifrar ndar
bbinysof thofm be tu mfro marbit hta
mifmorm. Ndnetrn nd rorhu rpa yon
mifr tuhemorm. Memor, 'Inji
anakahta, fitoh yimam rorn
rroh dukefm htemm, be nhai
nohruhatm. Nhai. Be inji
tahi nrwim kanjo toh
nkifranirahm.'



Rom 3:23 Kmi kmi buganom bi fasoh fasoh nefmn kasimotmnom to be Bro Nkifrar frtrohmornom. Nhai nompno brbo niarmoar.

Rom 6:23 Fasoh fasoh nefmn yimam yak hatohewatmm hel kitwom. Bro Nkifrar yak hatohewi-watrm nmoh Nungothen Jisas Kraiser-pno toh nkifranirahm.

Hibru 9:27 Ndar bbinysoft tohwa yimam nhai tahi nrwim kanjo toh nkifranikahm. Nhai. Nohwom. Nohnitamn Bro Nkifrarhu kotkfot toh garitwom.

Efesus 2:8,9 Ndt nhai tukomn fitoh fitoh yuham yihato Bro Nkifrar htihato yakmiyakrmorko. Nhai. Ndnnettn mirahr wom yimar sinyakahann akfo hagrhaya. Nikmoh yima yuhum Kraiser bro dukefm htahato hikmo yuhatn Bro Nkifrar hti yuhuwafhato fakmorko.



Rom 10:9,10 Ptha nuhashato kfiwunom, "Kfo mirahn,
'Jisasr nanhu Nungotheter,' yo ninhu dukeft duka
mirahn, Jisasr nohmohat Bro Nkifrar kasinya mifmorr,
inji dukarahn, Bro Nkifrar yakruharn rorhu tirmn
htarahrn."

Nmoh yima yuhumio, Bro Nkifrarhu dukefrpar yorhwatm
Bro Nkifrar yak wus bowushato hti wuthewurnom. Yo
tnge kfo kangnom, Jisasr nmoh Nungotheter. Inji
kfiwunom, Bro Nkifrar wanyhato be yekwarnom rorhu
tirtn htewurnom.

Jon 3:16,17 Bro Nkifrar ndar bbinysof thofm be tu
mfro marbit hta mifmorm. Ndnetrn nd rorhu rpa yon
mifr tuhemorm. Memor, 'Inji anakahta, fitoh yimam rorn
rroh dukefm htemm, be nhai nohrumatm. Nhai. Be inji
tahi nrwim kanjo toh nkifranirahm.'



Bro Nkifrar nhai turhu Yonr ndar bbinysofthu met yindariroh nefroh kothu yakitoh hanyeftn kfo tkruraf-rmorr. Nhai. Rroh nrfa hbhakneftn kfo tkrurafmorr.

1 Jon 5:11-13 Yimaroh toh nkifraniyuk yihotar Bro Nkifrar bi fak hta bohtamorr. Turhu yonrn yura bgre mis nohhato nd yimam toh nkifraniyuk yihotat fak marnyakmort. Bro Nkifrar n yihotar inji fak hta nuhasmornom. Yimam nd Bro Nkifrarhu yonrpno frtkafwam, nd yimamn toh nkifraniyuk yafothar kekwomr. Yimam nhai Bro Nkifrarhu yonrpno frtkafkahn, nd yimam nhai toh nkifraniyuk yafothar yakkahn. Niko Bro Nkifrarhu yonr hikwa tuhan yindariko mirahko bok dukefm yakhato kfo amanyom, "Nd toh nki-franiyuk yafothat ka bi hatohwonomt o ka nhai?" Mirahko ndhtet bok dukefm ayaknom. Nd toh nkifraniyuk yafothat bi fakmokomt. Ndar gontwat to ndthu kfo dukayuk gontwatn kahukanko.



Jon 14; 2 Korin 5; Revelesen 4, 21, 22

Storyline by: Edward D. Hughes

Illustrated by: Lazarus
and Alastair Paterson

Adapted by: Sarah S.

Alamblak Bible (amp) © 2003, Wycliffe Bible
Translators, Inc. All rights reserved.

<https://www.bible.com/bible/986/MAT.1>

©2024 Bible for Children, Inc.

www.M1914.org

www.bibleforchildren.org

