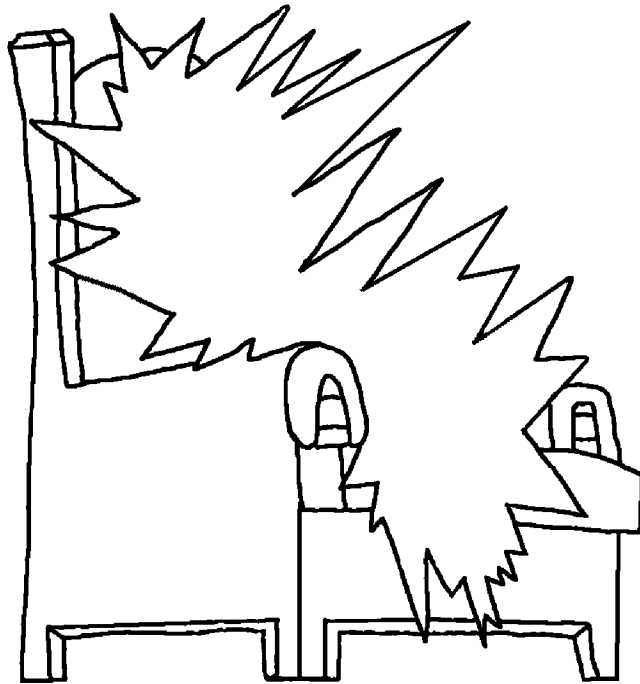


www.BibleForChildren.org

Jon 14



Jisas uqa maaden, "Age wawaga cain qeleleiaun, cain cucuiuwain. Age Anutnu wawaga meleeiale, ijanu ha wawaga meleeiale. Meina jona bilec hamol mati nijadeiga. Eu odi qee nijoubmi ija qee maadoun, 'Ija ono agena bilec cudun eeldocnu nuigen,' adoum."

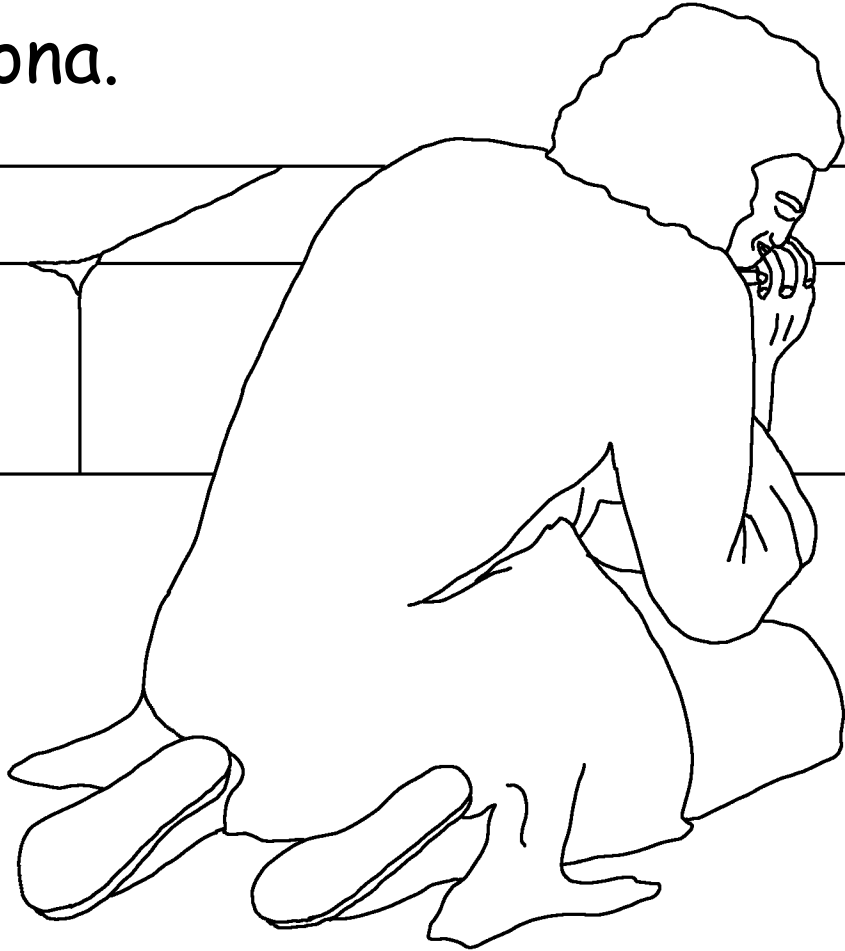


"Ija nui agena bilec cudun eeldu hedumig ija ceseli
humig ija biligina euna age ijaca bileqannu age
cedadi ehadigen."

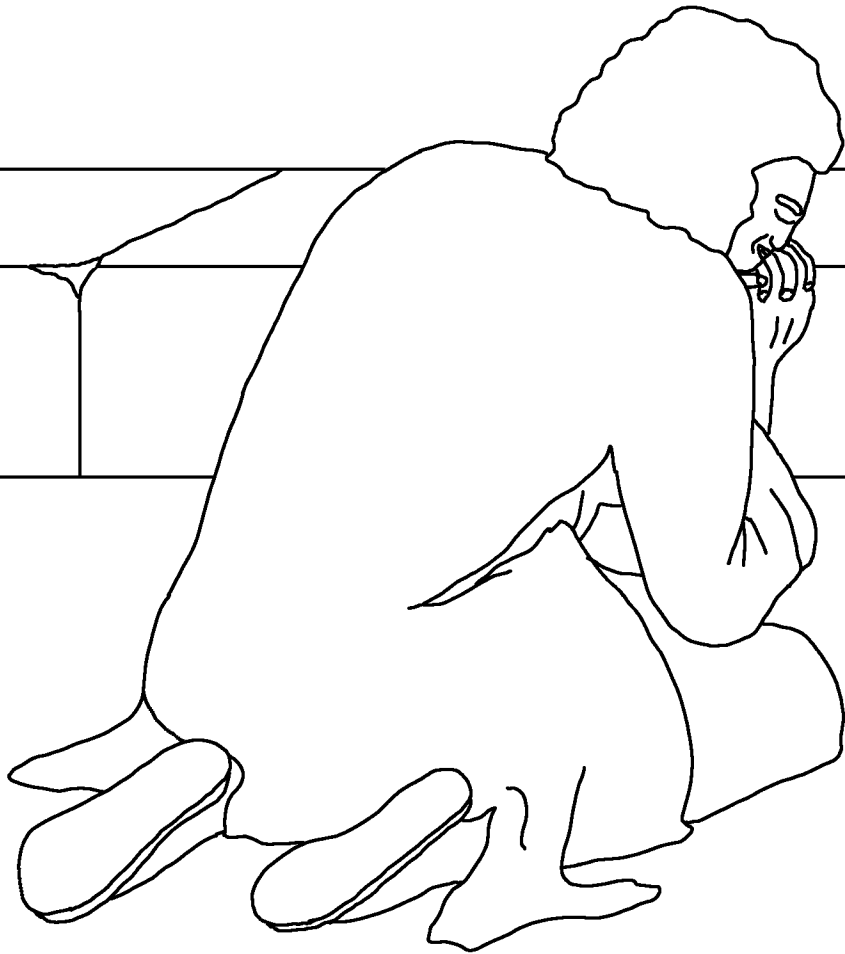


Ija Jon, age wawaga meleec cotoga. Ija ageca
Jisasnu cilehgegina. Ege osoben Jisasna cul
hugiannu sumuduquna. Ege susumudeb

gagadic tatawi culumen
gahidoqona.



Ija Anutna me jeca, je mele Jisas odocob
camasac menca eunu qasali maadem. Eunu ija
Patmos nuina ono mitec bilem.



Mahuc bahic Kis hewiti ibulteceb ija king bilec cabal
oso sao jobonna ono tatawen fem, oso uqa king bilec
cabal euna bibilen fem.

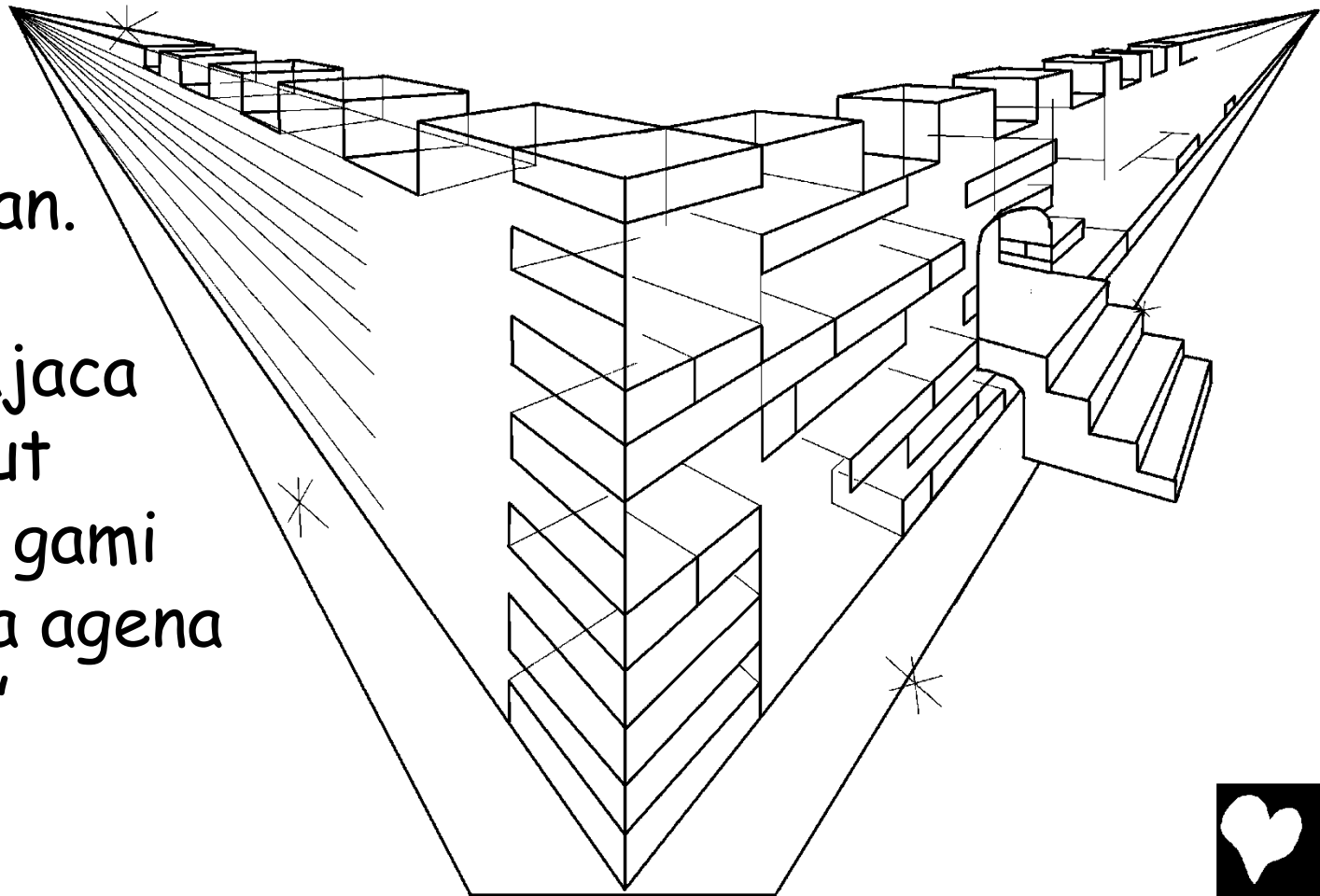


Odocob ija ceteh filfil age sao jobonna bileginaca,
age mahana bileginaca, age maha bisaluna
bileginaca, age macasna bileginaca
eu age cunugca due sisilegin dah
mem: "King bilec cabalna bilinaca
Sipsip Nagca ale kobolkobolca, ale
hihibanalaca eunu ege gaid
eelalecomun
catanena, ege
gaid binanala
sulalocomun
catanena,"
ein.

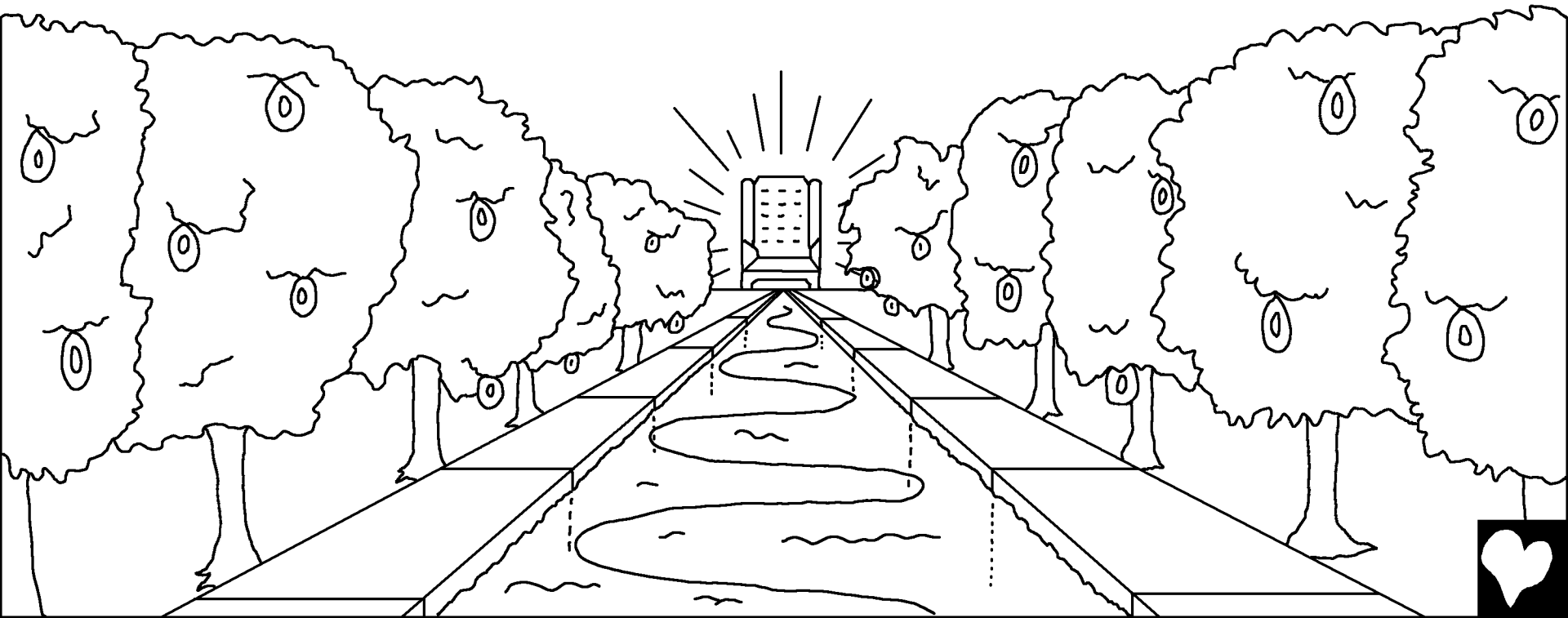


Odocob ija taun gun ben fem, eu Jerusalem haun, eu Anut odocob sao jobonnadec toni nen. Eu saciadu hedoc bilia, caja uqa dana ocnu bala falimei gemug sumudinawe. Odocob ija king bilec cabalnadec jejeg ben oso mamaden dah mem, "Qila Anutna jobon eu

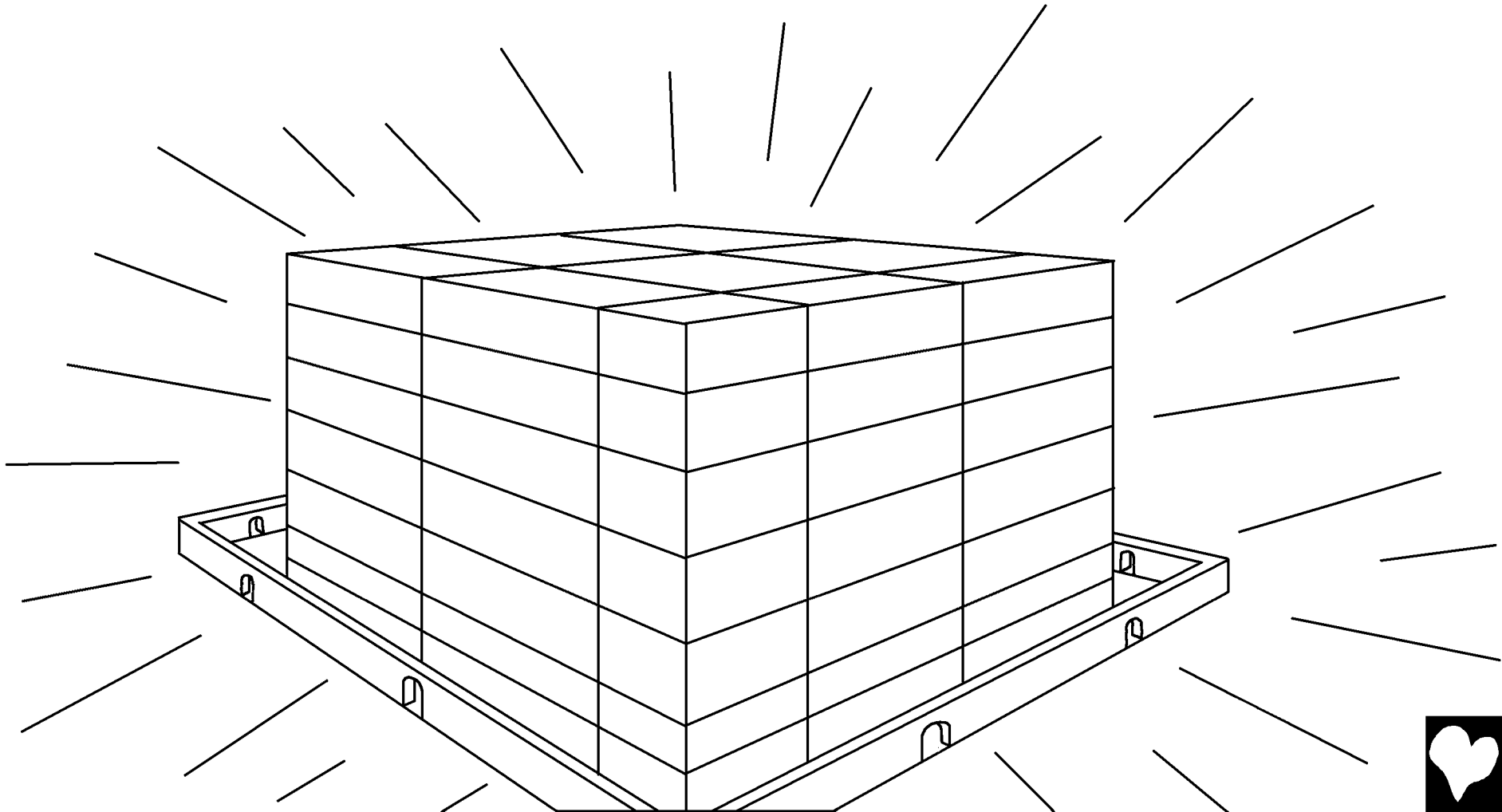
dana gemo bilia! Uqa ageca biluqagan. Odocob age uqana dana cajaca biluqagan. Anut uqadodoc age gami biluqagan. Uqa agena Anut biligian."



Ensel eu cebac bilec wa ihacten, eu glas cinigwe
fililaen. Wa eu Anutnaca Sipsip Nagnaca king bilec
cabalnadecca cali hona.



Taun ben eu camfo, jagelfo fulacdocnu qee nijel. Ge,
Anutna kobolkobol eu uqana fulacdona. Sipsip Nag eu
uqana gowoc.



Euqa ceteu gegehınca
oso taun ben dunuh
qee leiaun. Dana oso
majagca odonaca, uqa
uhulec je madenaca
taun ben dunuh qee
leiaun. Dana age
ijanaga Sipsip Nagna
cebac bilec bukna
jaqein eu age dih taun
ben eu dunuh loqagan.



"Uqa amaganadec amulunuga
cunugca cacuadigian. Cete
weledec eu cunug qee mi hedon.
Eunu ono dana haun qee cal
mowain, age walocca haun qee
biluwain, age haun qee
qajowain, age haun dain adecnu
qee owain," en.

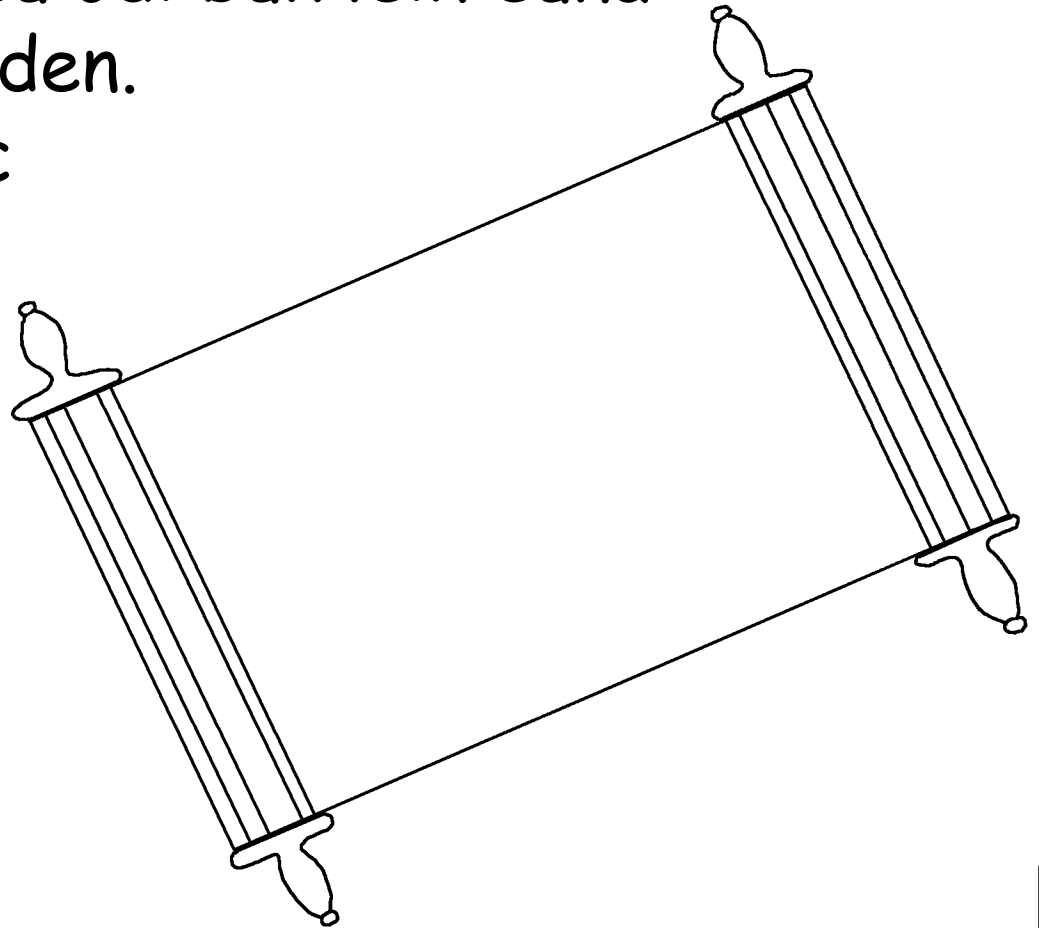


Ceteh oso Anut uqa geulden eu taun ben eu dunuh
qee fowain. Anutnaca Sipsip Nagnaca king bilec cabal
eu taun ben dunuh biligian. Uqana cewel oc dana
uqanu cuha foqagan. Age uqa ola foqagan. Uqa ijan
age ilomoga domonna
jaqigian.



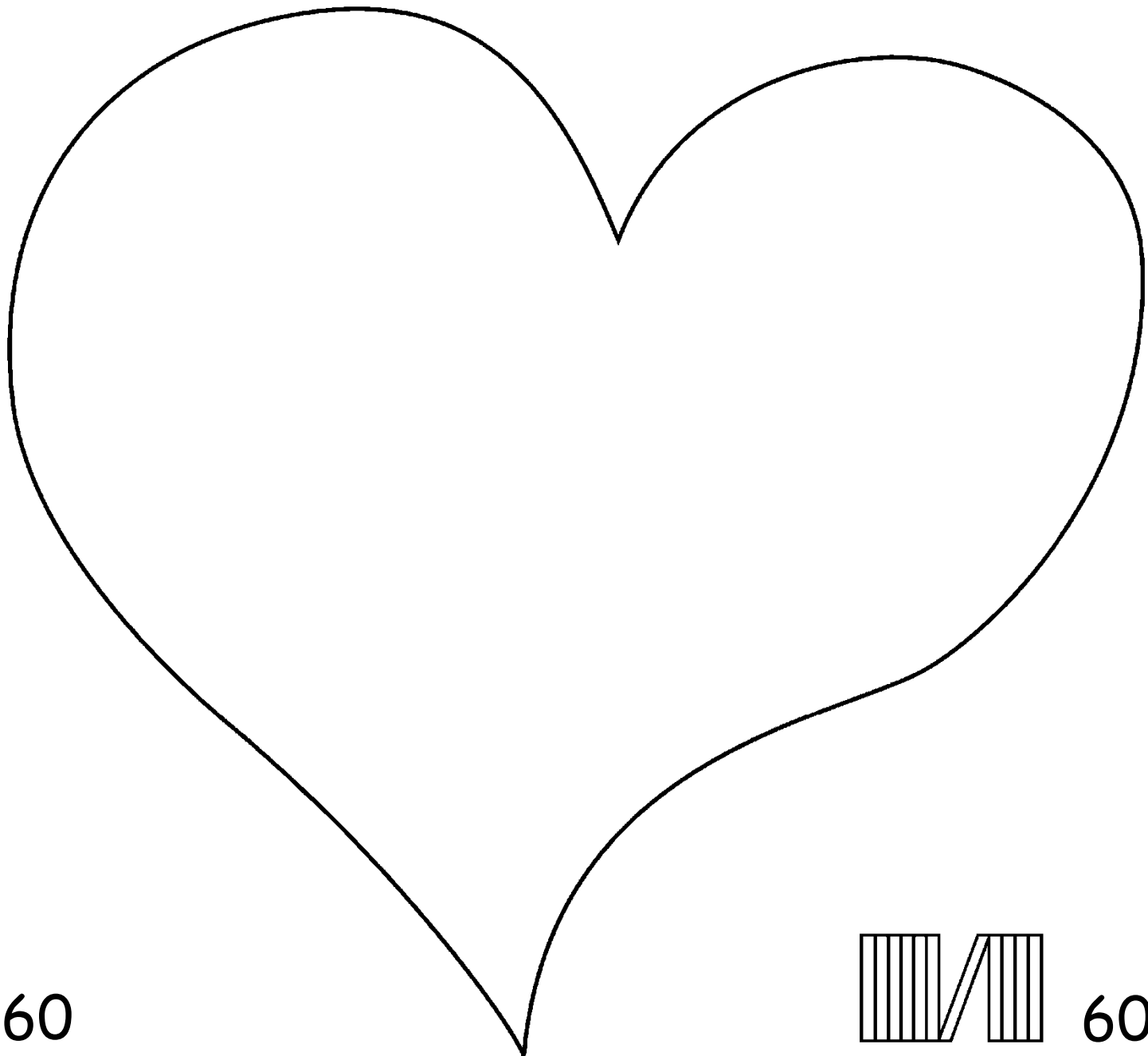
Odocob ija dana cal mec feciadem. Dana ijanagaca,
dana ijanagaca qee agecaca king bilec cabal amegna
tawein. Ensel eu age buk leih cosocdoin. Odocob buk
osoha cosocdoin, eu cebac bilec agena buk. Cal mec
dana eu agena odoc, eu odi buk leih euna
jaqein euna odi gesiladen.

Oso uqa ijan eu cebac
bilec buk euna qee
jaqelein eu age
heludecebil wa
gudoc benwe
jaca cijina euna non.



Kisca caja dana occa ale Jisas madosina, "Hina hoga!"
dosina. Cunug age je i dah megina eu ageha
madoqagan, "Hina hoga!" doqagan. Oso uqa wa gab
dona eu humei jeiale. Oso uqa cebac bilec wa eu
fajecca qee ocnu gale dona eu oiale.





60

60



Rom 3:23 Ge, ege dana cunug ege silail mom eunu ege
Anutna fulacdoc ben eu ocwe qee.

Rom 6:23 Ge, silail kobol eu uqana ameg eu cal mec
himec. Euqa Anut uqana eelgec uum igec eu cebac bilec
catanec. Ege egena Tibud, Jisas Kraisca gabandumeb
cebac bilocomun cataneqan.

Hibru 9:27 Dana cajaca cunug age cal mi osoldogina.
Odimeig hibna age Anut amegna tawecebil uqa
gesiladigian.

Efesas 2:8,9 Ge, Anut uqa uqana eelgec uum igecna age
wawaga meleeceb cahahaaden. Odocob eu agena odocna
qee, eu Anutna bagol igec himec. Eu dana agena odocna
qee, eunu dana oso uqa culai madi, Anut uqa ijana odocnu
cahahaten, odi cain madeiaun.



Jon 3:14-17 "Anut uqa Melah mahana dana agena silailnu gesiladigiannu suldocob qee nel qa mahana dana cahahaadeceb demico biluqagannu suldocob nen. Odocob Anut uqa dana cunug mahana bilegina nalunuga mimei cunug age uqanu wawaga meleigian eu age qee fadalowain qa age cebac bilec catanec eu oqagannu uqa melah osol himec culiaden. Eunu Moses uqa wadauna man sononec ihicon qoc suli u caqusenwe dana cunug age uqanu wawaga meleena eundec age cebac bilec catanec eu oqagannu Dana Melah age odi suli u caqusuqagan," don.



1 Jon 5:11-13 Odocob Anutna qasali madec je eu odi.
Anut uqa ege cebac bilec catanec igen, odocob cebac
bilec catanec eu uqa Melahna bilia. Dana uqa Melahca
gabandoc bilina eu uqa cebac bilec catanec eu wele on.
Odocob dana uqa Melahca gabandoc qee bilina eu uqa
cebac bilec catanec eu qee ol. Ija age Anut Melah ijannu
wawaga meleena eu age cebac bilec catanec wele oin ec
doqagannu je i jaqiadigina.



Jon 14; 2 Korin 5;
Jahunec Je Camasac Muden 4, 21, 22

Storyline by: Edward D. Hughes

Illustrated by: Lazarus
and Alastair Paterson

Adapted by: Sarah S.

Amele Bible (aey) © 1997, Wycliffe Bible Translators,
Inc. All rights reserved.

<https://www.bible.com/bible/978/MAT.1>

©2026 Bible for Children, Inc.

www.M1914.org

www.bibleforchildren.org

