

www.BibleForChildren.org



Jonihō 14



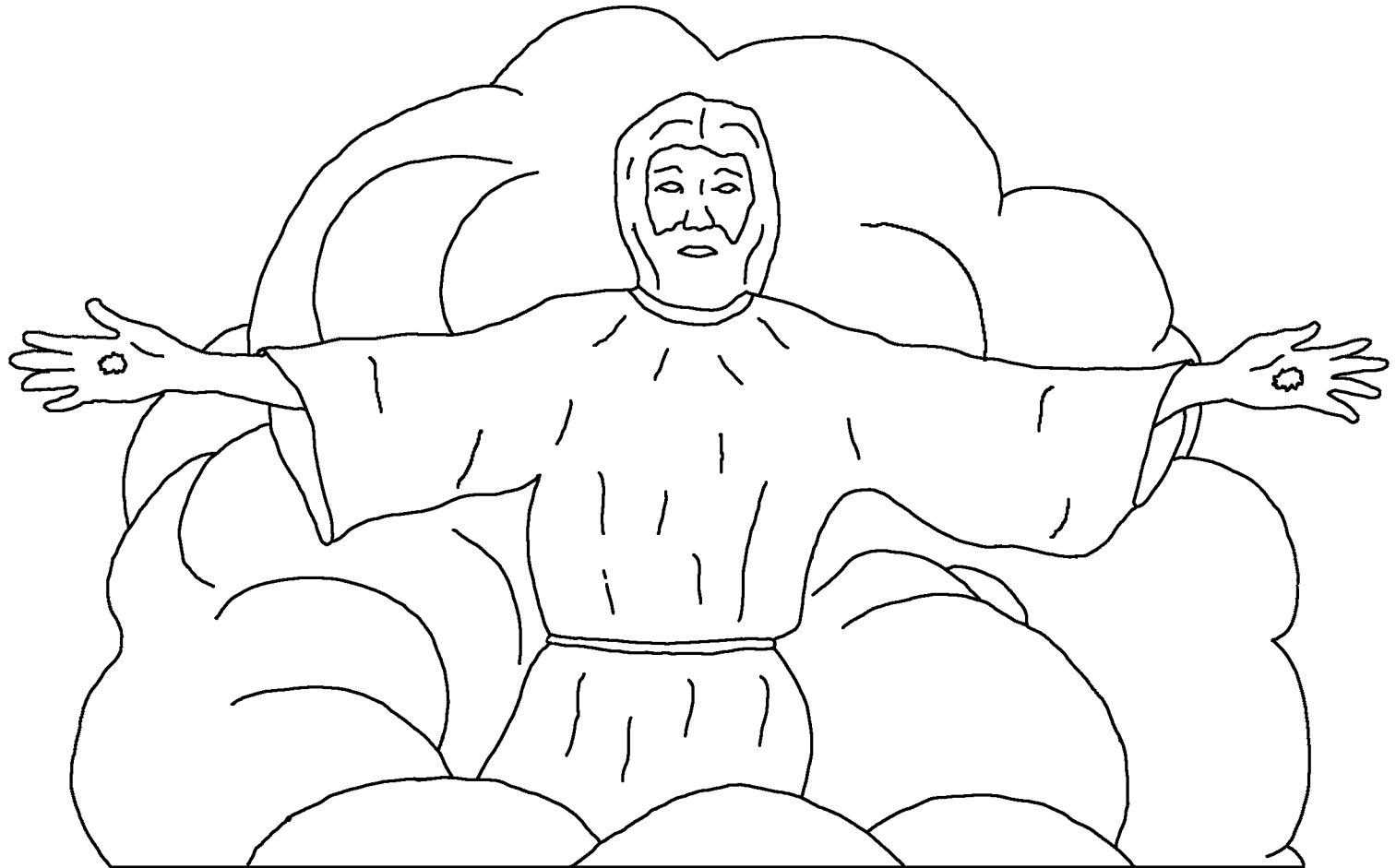
Jisaasiho isihya koai niwipinjohiyihyai saundataase.
"Sami maariho yayapwitati doti windi bimaasitone. Sahi
sami maariho ami ndiha Autaahaatihomiheti ahiyaw
kopi giwunyaapise. Aiwi ami sami maarihouni ndihauni
nisiheti ahiyaw nausawi nisapi ginunyapise."



“Nisi Apihomi anjaani kihirotohandi (rumihandi) sapihiri kihirotohiri yiyandihī neti tisamanitandi niyataayono. Ami windi sametanaahi nini sangi kimandi kasatohitimandi windi kamaasatitaanihe.”



“Ami nini naindi wapihi sahi ningisawi bimitaatiwihapihi
neti timanataataahi nini japihi napiti sangi nasamaito
ningisawi maasi bimitaatiwo. Saisanihi ami nini
bimohipipihi kapihi sangisangi ningisawi maasi
bimitaatiwo.”



Nini Jonihonini sami naisohonini nyahi
Jisaasihomihiyaanimatotihanda isihiya nyangi
ambipati yaasihaiwa nanyinyohiwaiwaara

sangisati maasindaayo.
Ami nyangi Autaahaatiho



nyainjatihi ami
isihiya yaasihandi
nanyinyauhihandi
kandi kiyaaninihi
andititaati bitopi
niyohiyihiyaanamihonine.



Saindi kimaiwaatihi sangisatitohihonine. Isihiya
nepi yapihonji masihonji durihirami otihaati
ahetihonjaatihi ahinisawaayopo. Konjami

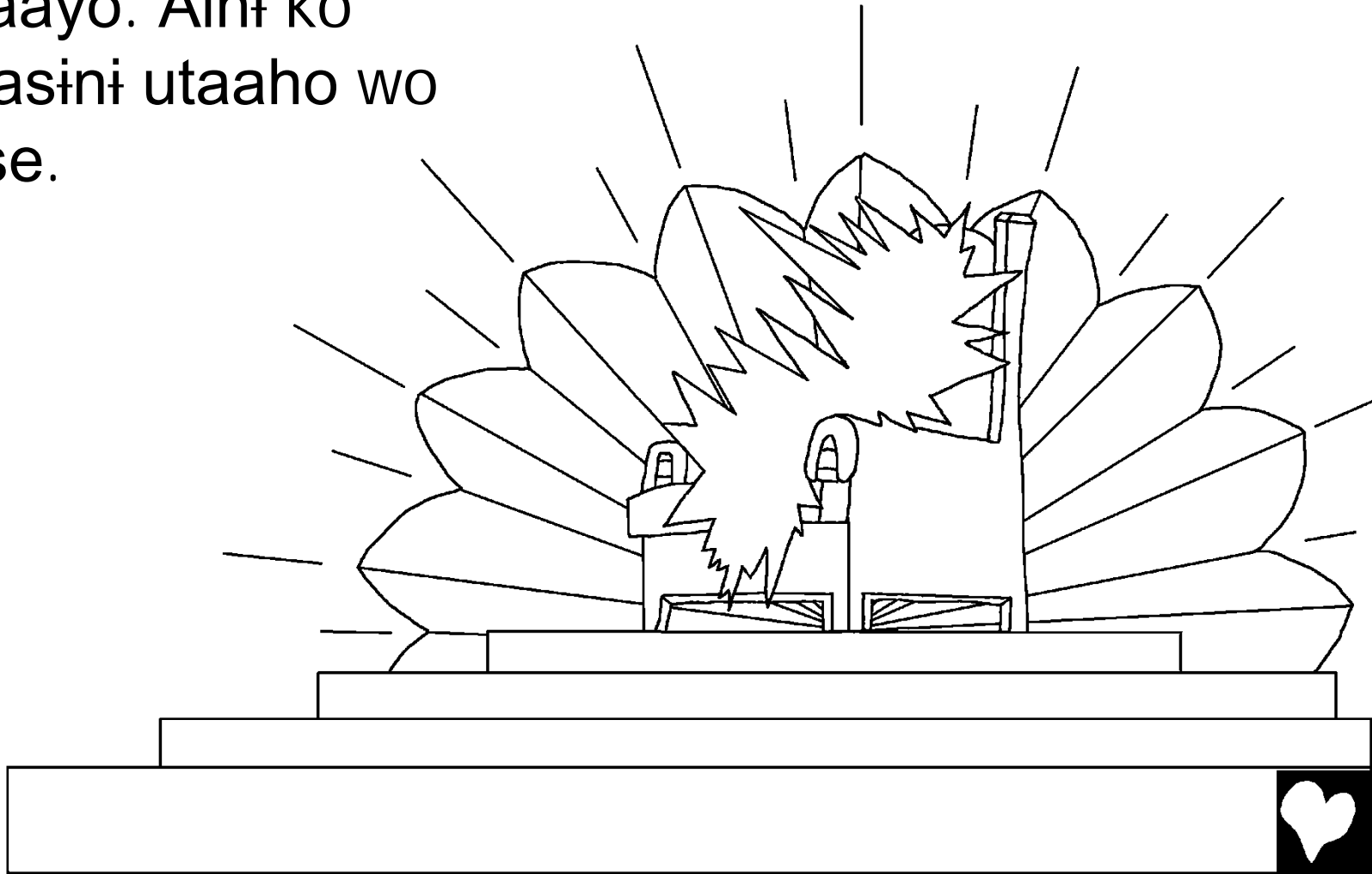
ambipati Patimosihande.
Ami sandi sanisotimandi



apaapimaahē, ami
Autaahaatihomi
piwihaapindiwuni
ami Jisaasiho katati
kaiwaiwaapi nini
sandi akite ndi piwiha
ausaahonihe.



Aihi keti kuraanihi Itipiho Gaaho nasati nisiheti waati
nindoti nanoaipataise. Aihi nisi maarihomi ndiha
nanorihaatataise. Aihi nini yamihapataatihi jataati
Autaahaatihomi gwiho siya kinhandi ahotihi
mmonataayo. Aihi ko
gwihoasini utaaho wo
bindataise.

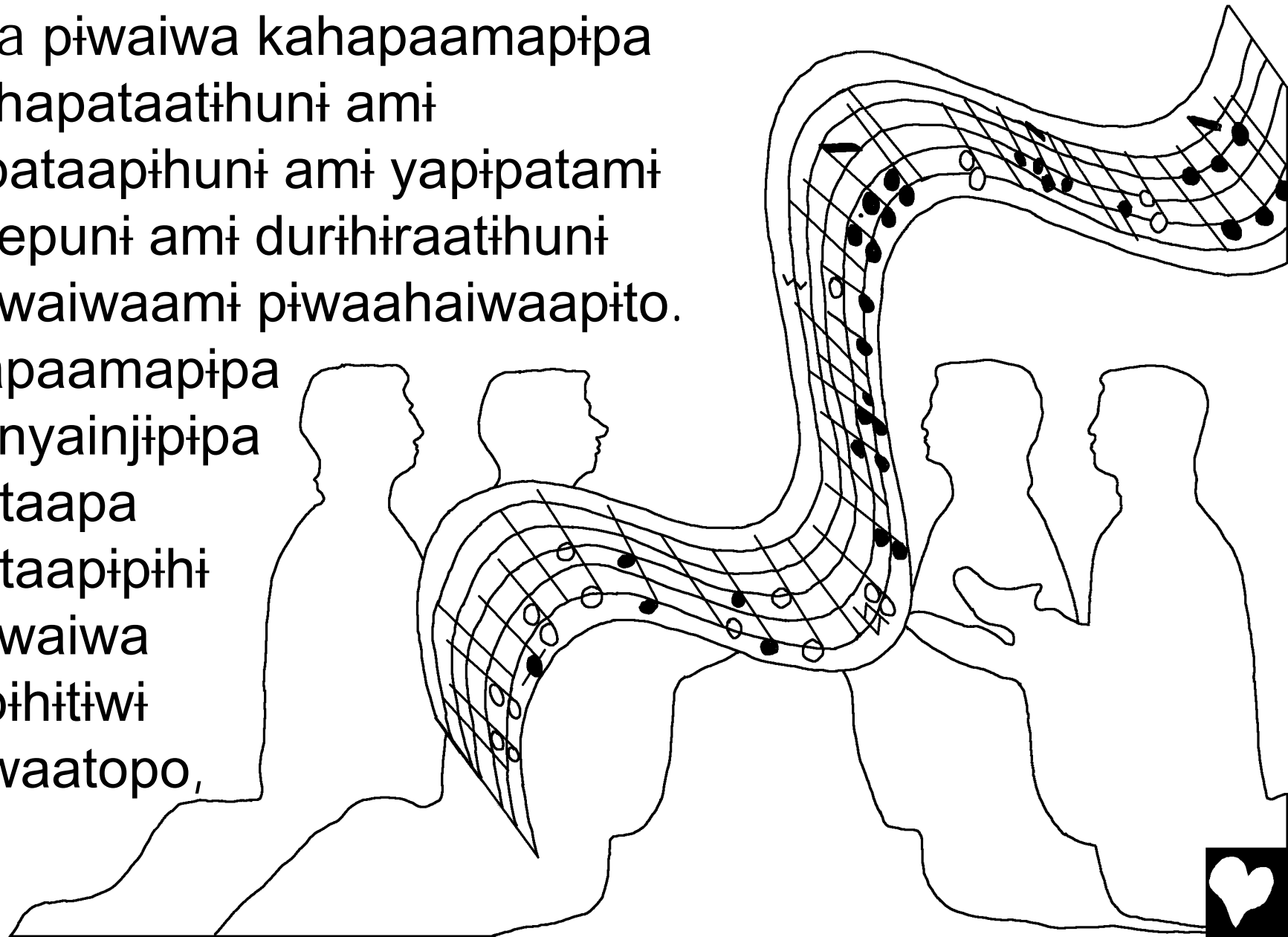


Aihĩ ami nini kahapaamapĩpa nahataapa gimunyainjĩpĩpa
Autaahaatiho ahaimbĩpaami piwaahaiwa atisataayo.

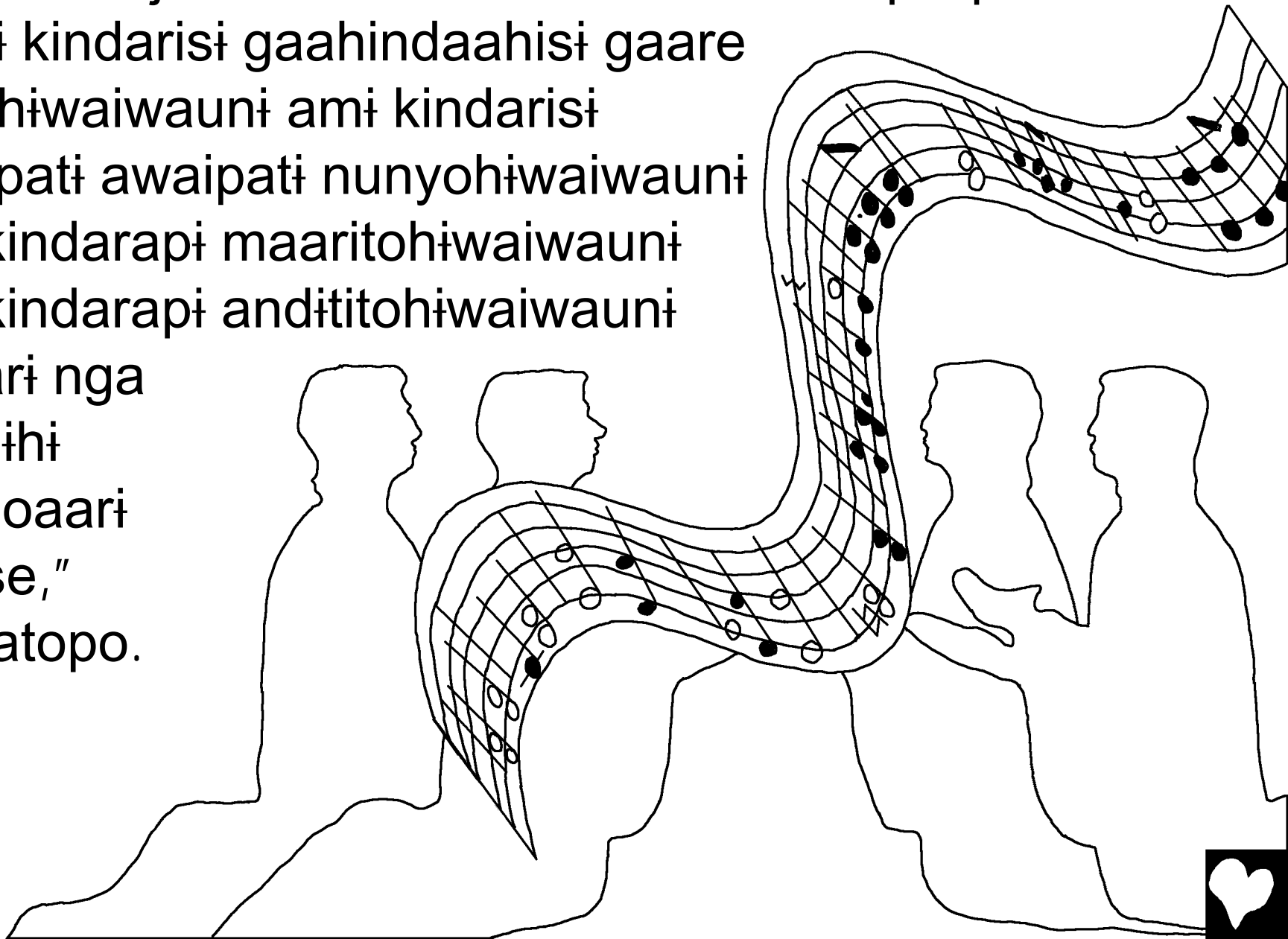
Saiwa piwaiwa kahapaamapĩpa
yamihapataatihuni ami
yapĩpataapĩhuni ami yapĩpatami
nyepepuni ami durĩhiraatihuni
ahotiwaiwaami piwaahaiwaapito.

Kahapaamapĩpa
gimunyainjĩpĩpa
nahataapa
nahataapĩpĩhĩ
ahotiwaiwa
waapĩhitiwi
satawaatopo,

...

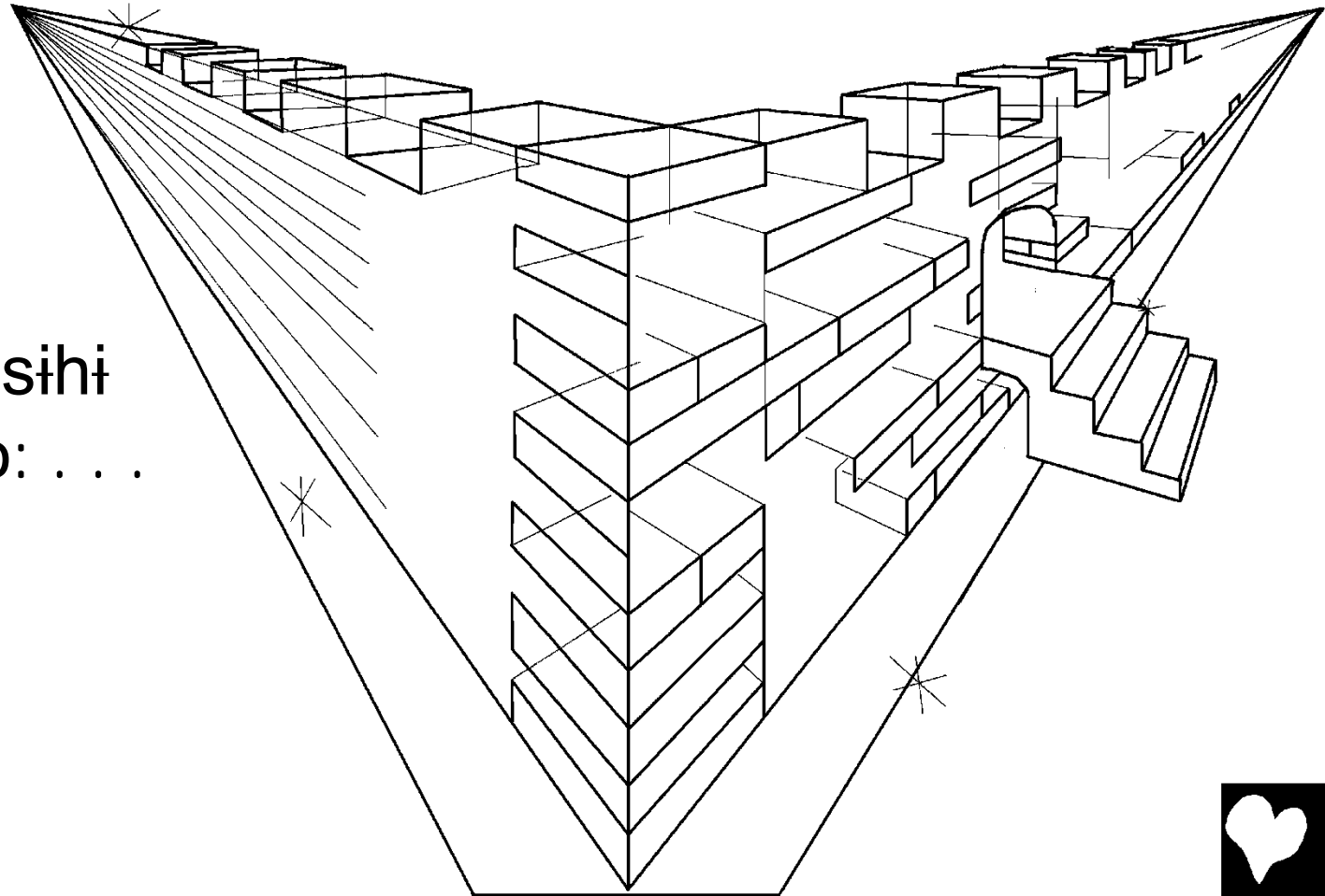


. . . "Kimo Utaamo komi gwitho siyahandaasini bindata
isihyai iwinjatisimoaisuni ami Mwaaho Sipisipihonaisuni
nyahi kindarisi gaahindaahisi gaare
undohiwaiwauni ami kindarisi
ambipati awaipati nunyohiwaiwauni
ami kindarapi maaritohiwaiwauni
ami kindarapi andititohiwaiwauni
kindari nga
jinjapihi
nasisoari
nepise,"
tawaatopo.



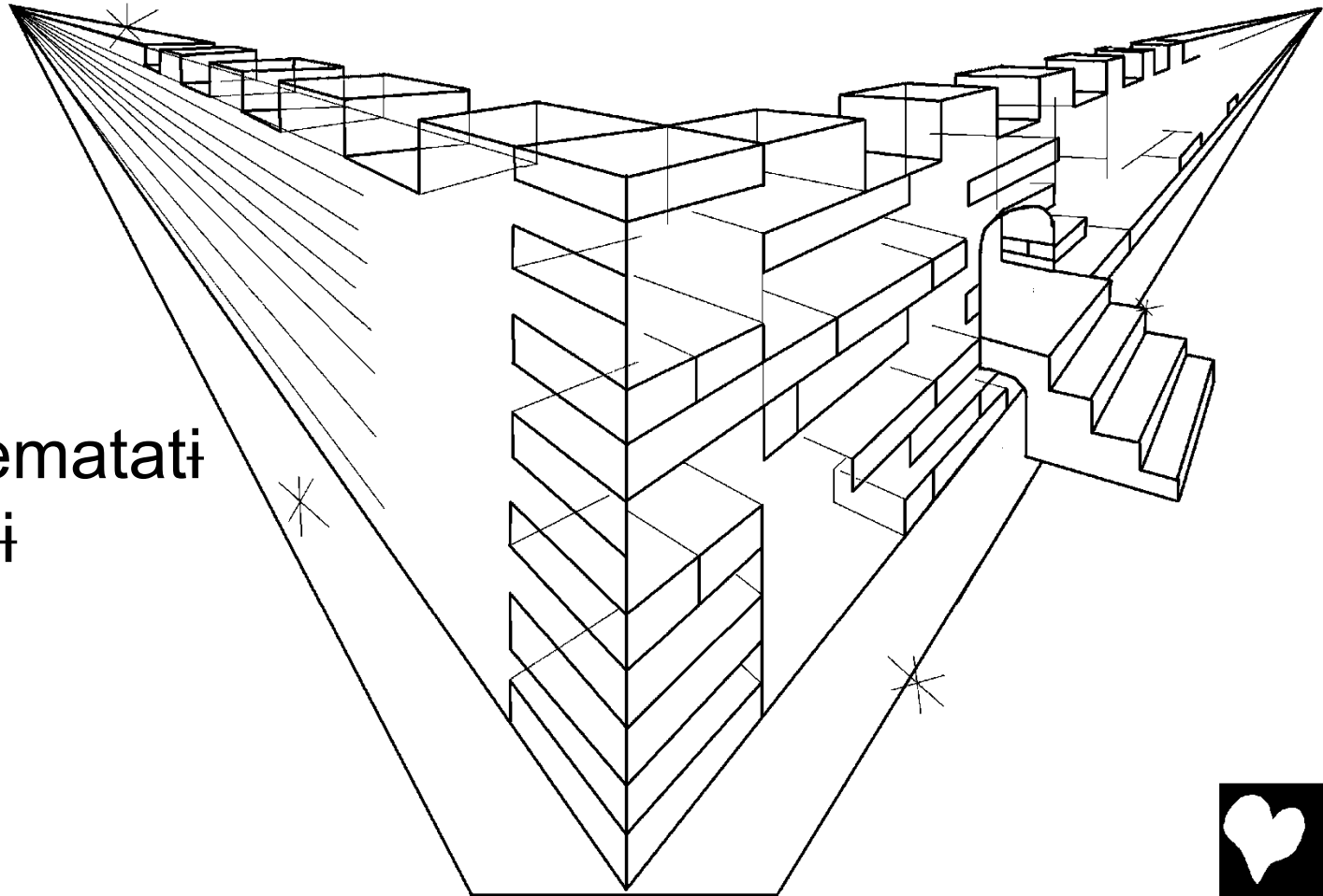
Kaihi nini jata Autaahaatihomi aunahipati awaipati
asipati wanihati Jerusaremihandi yamihapataatihi
Autaahaatihoaapihapi taati noaatipati nasataise
apopaati wohoai namaatitandi timaninati uti apotihiri
gaahapa yundanyaininjati napipatamatiyato. Aihi ami

piwiha wa
waapihitiha
Autaahaatiho
bimimbipihapi
sataha noaipasihi
nini atisataayo: . . .

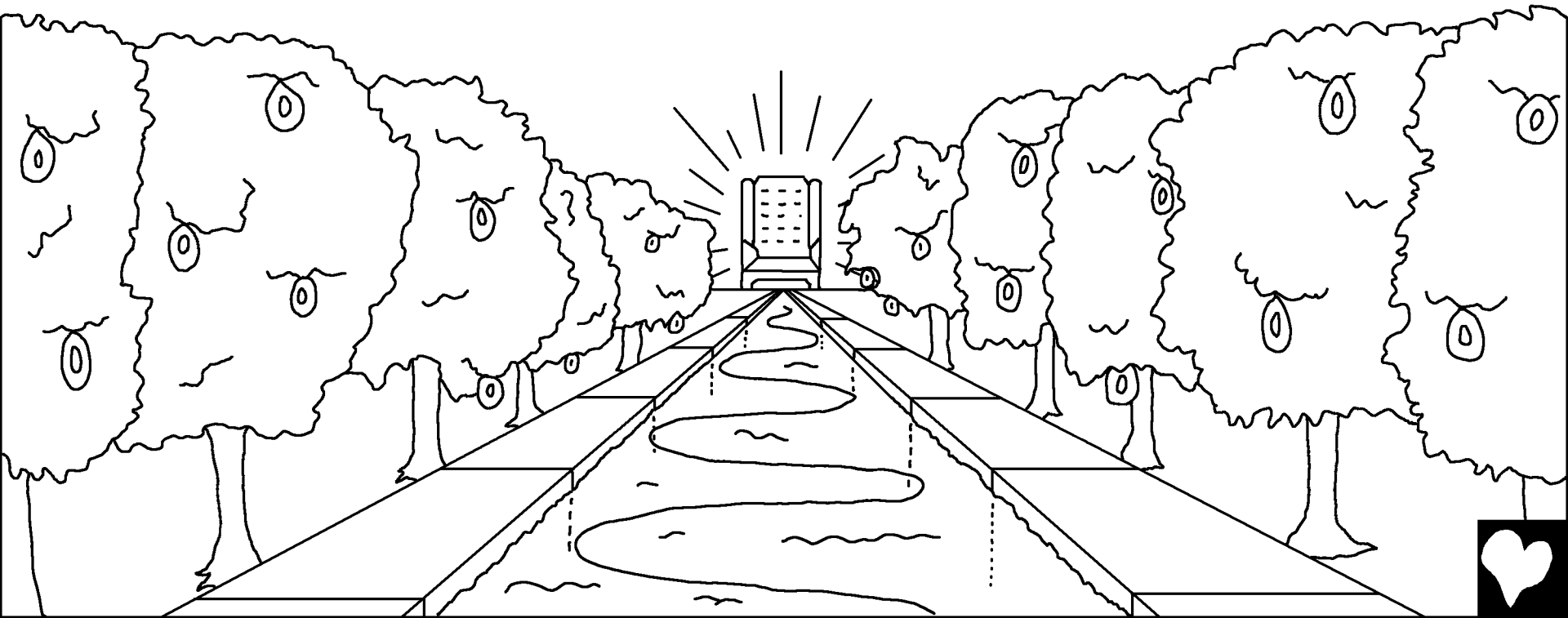


. . . "Atiwi ami jasawise! Autaahaatihomi aunahipati
anjipipihi aimi nasati isihiyaami otihipihi ahondaise
ami Autaahaatiho kiyaisati maasi kiyaami
Autaahaatihoematati bimitando. Iyonihi kiya ami
noaipapi titihi Autaahaatihomihiyaimatisaihi
ami

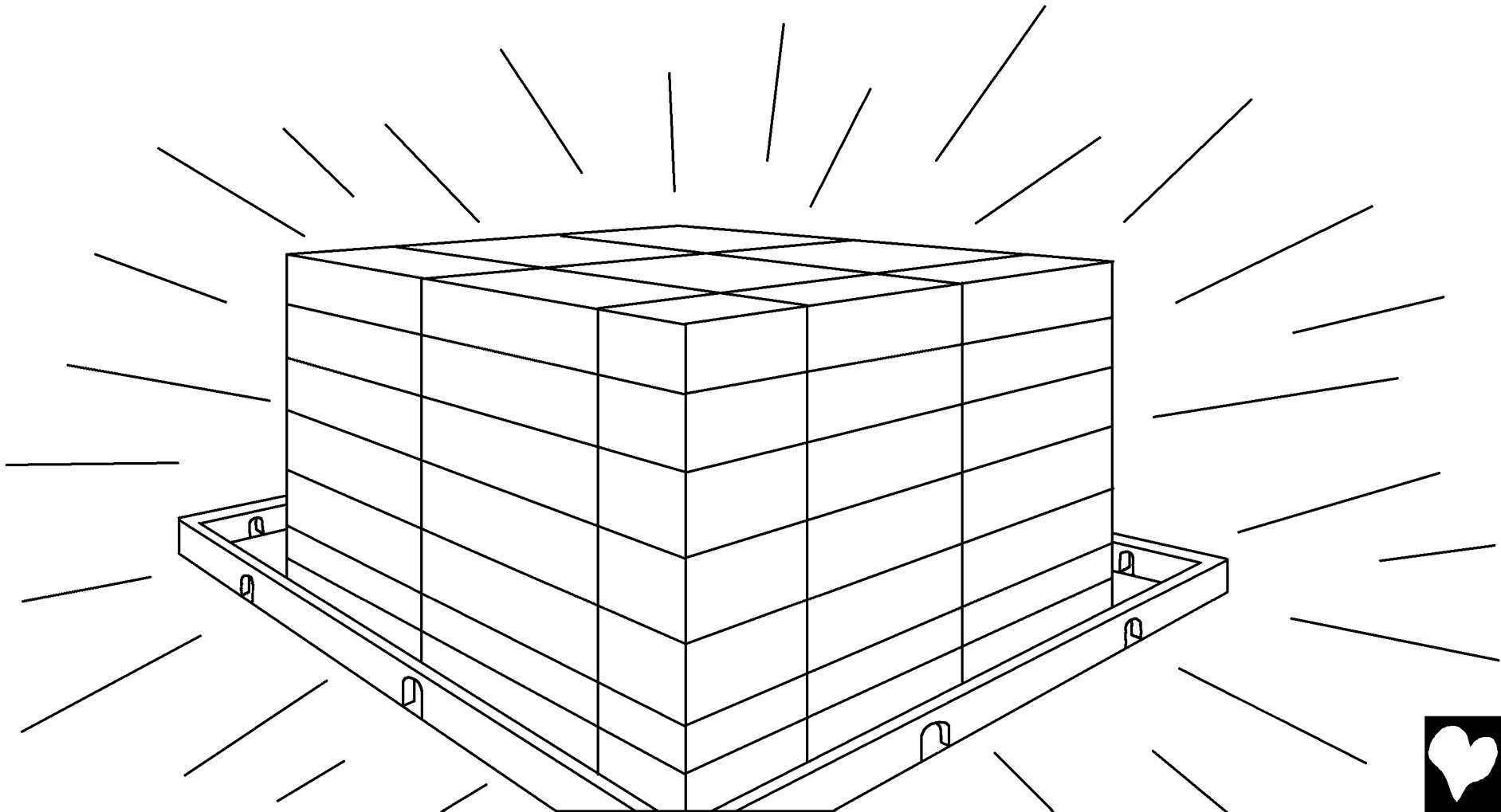
Autaahaatiho
sawaho
noaipati
kiyaami
Autaahaatihoematati
kiyaisati maasi
bimitando."



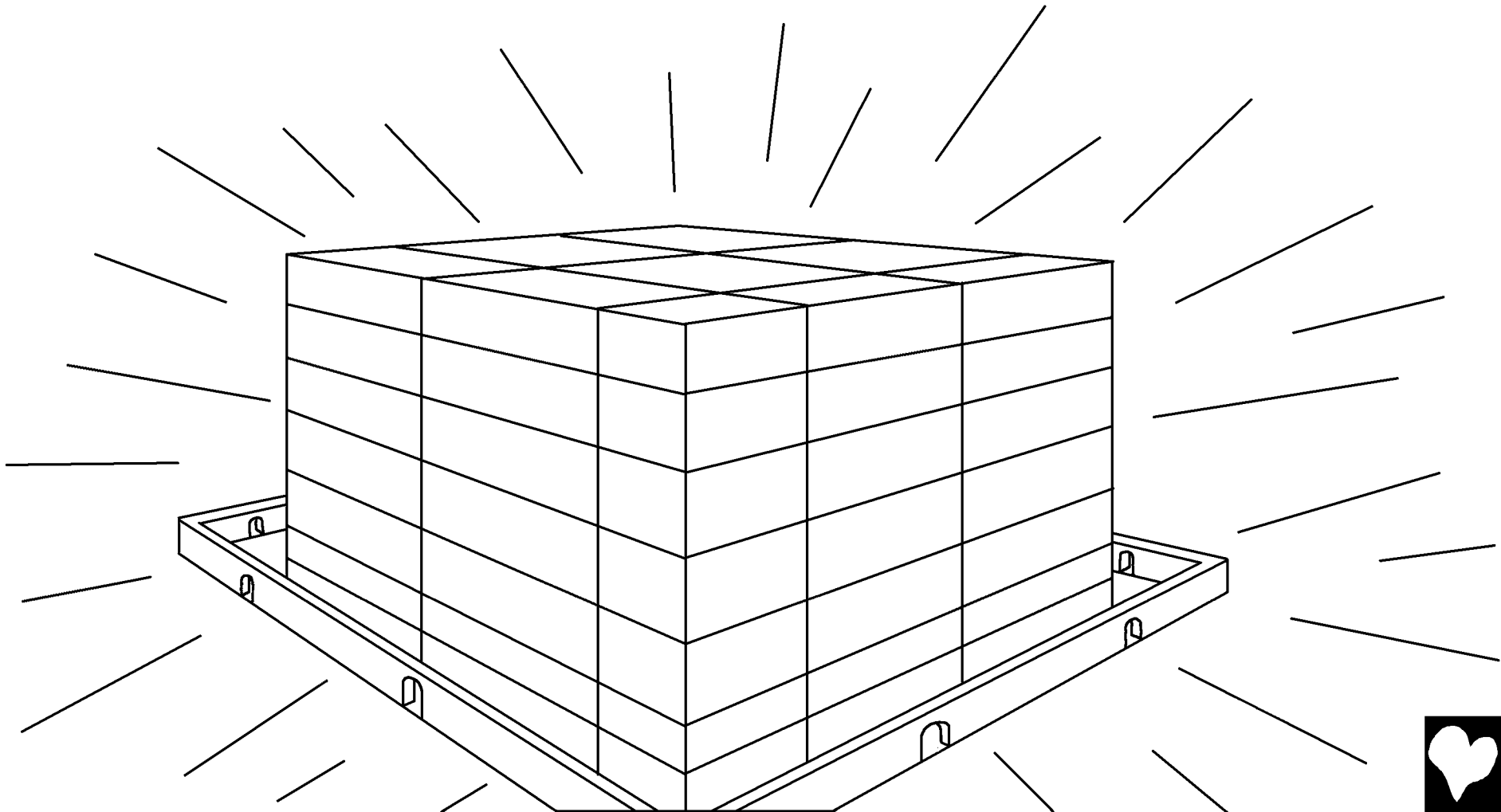
Saiwa nanisati owetihi ami waapoho waapihaati waati
asitimatitaatiwihaati apipaahi gaahaati giraasihomatiyati
saasanotahaati Autaahaathouni Mwaaho Sipisipiho
Sipipihohouni bindama isihiyai gwitihho siya
kinjhandaaasinapi iwinjatinditihiraapi taati noaati
napihihaati enjeriho nanisataise.



Iyataati sati aunahipi awaipitisi ipiho waatiho yahutaati
nausaatitandihandi owehate. Ami Autaahaatiho
sawahomi yundanyiha nausainjitihandaahi sati
aunahipitaatihi nausaatiho.



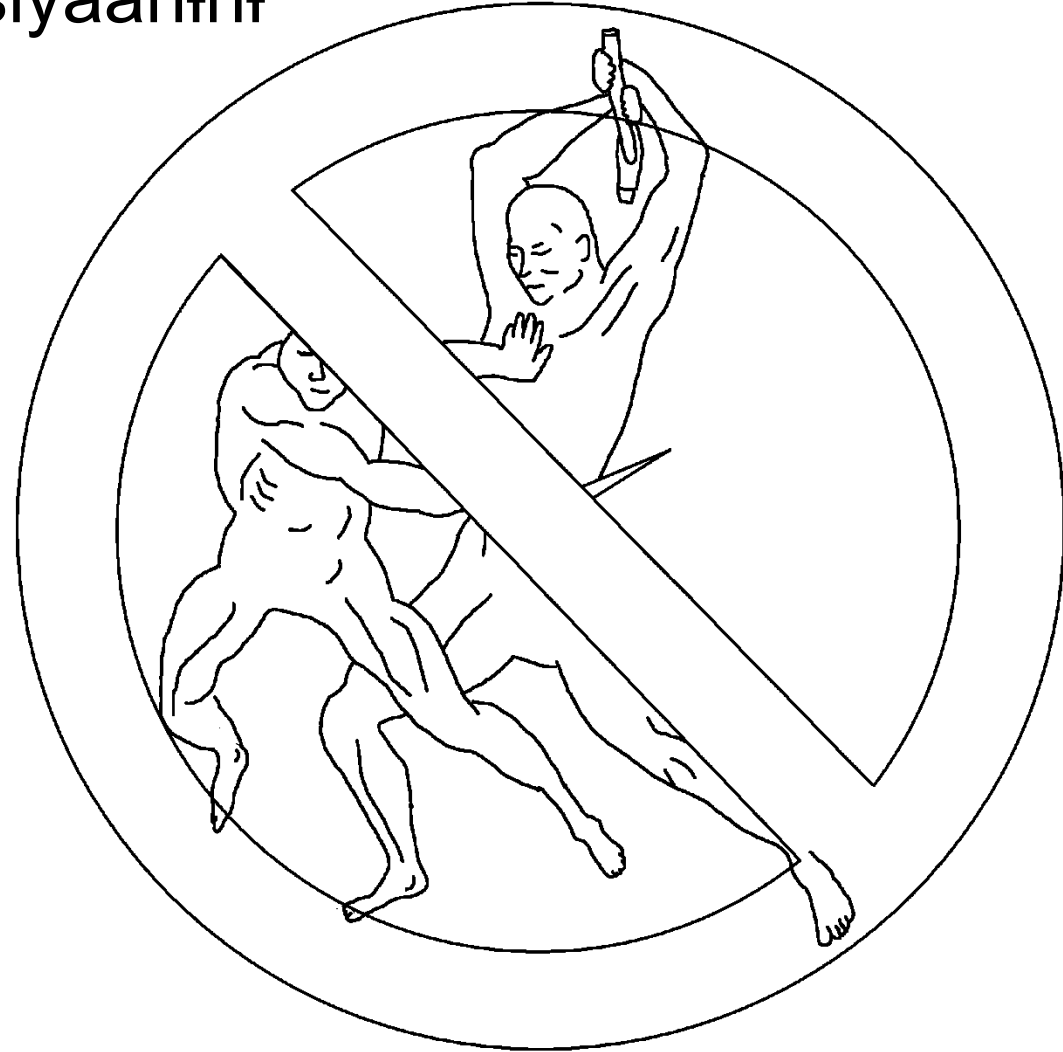
Iyataati ami sisiha raamihandihī Mwaaho Sipisipiho
sisiha raamihandamatiyahosi komihetapi sisiha
aunahipataatihī biyati nausaatataise.



Iyataati ami wapa maipihapauni ami isihiya maipihaiwa
kahatamatipetahaiwa kiyohiyihyauni ami isihiya piwiha
jaipipa katohiyihyauni siya
aunahipati sataatih windi
namindaitaapo. Apipaahi
owetitaise.



Nehi isihiya Mwaaho Sipisipiho Sipipihohomi utipiho
isihya asitimatitaatiwihandamihoatihi kiyaami
ambipati ahotisawihya siyaahih
sati aunahipitaatih
nandaitaapo.



“Iyati ko kiyaami kwitipati nahatiyaamihati neti niwindiwati niwisiyaipaitaise. Ami kiyaami napwitaatiwihandisangi apipaahi owetitaise. Iyati ami maariho asipaiwi gwitaatiwihanduni kiyaami ambipati yaawitandihanduni kiyaamiheti winti namausoipaitaise. Saiwa aimi jihaiwaasi kaiwa aimi noti owetiso,” ndaase.



Iyataati ami sati aunahipitaatihi wapa Autaahaatiho
windi maarimitati koai poundonihi nemaitandihapa
satihi windi ahimotati ami windi namwaipaitaise.

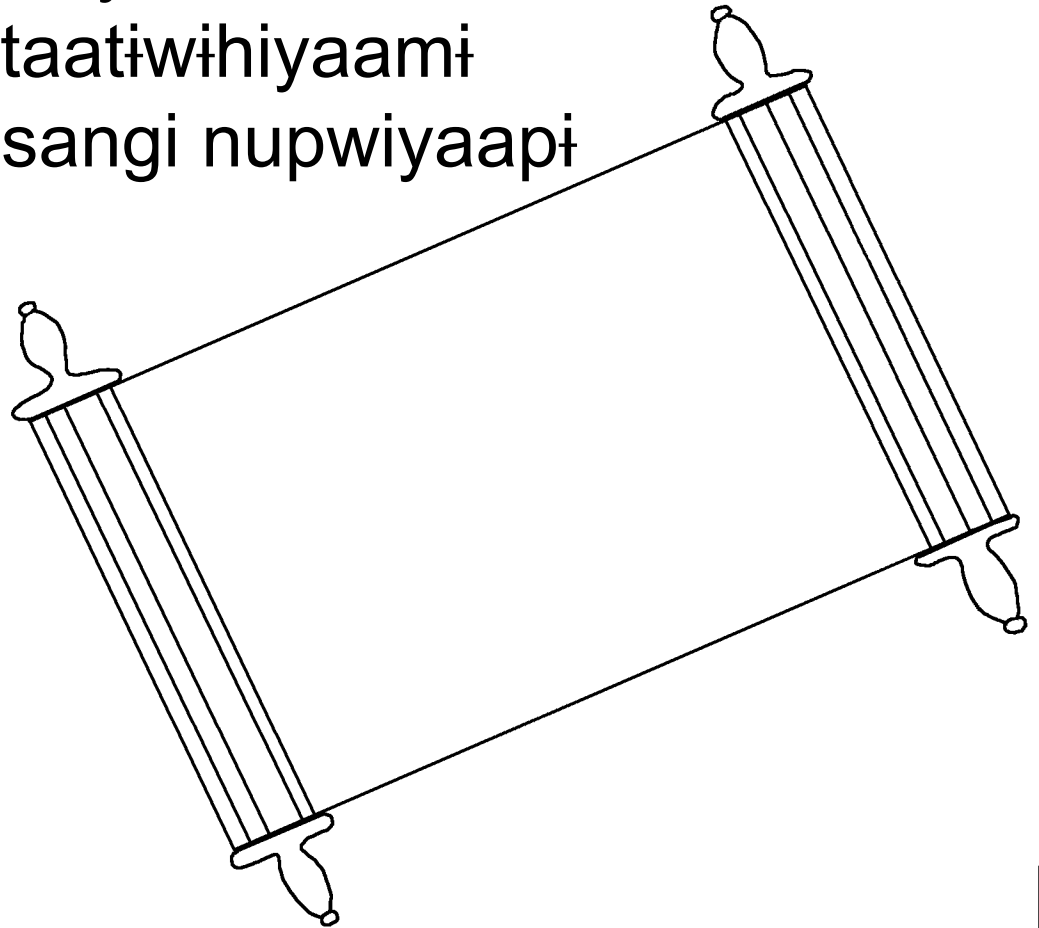
Nehi Autaahaatihouni Mwaaho Sipisipiho Sipipihohouni
sati aunahipitaatihi
bindama isihiyai
iwinjatitaise.



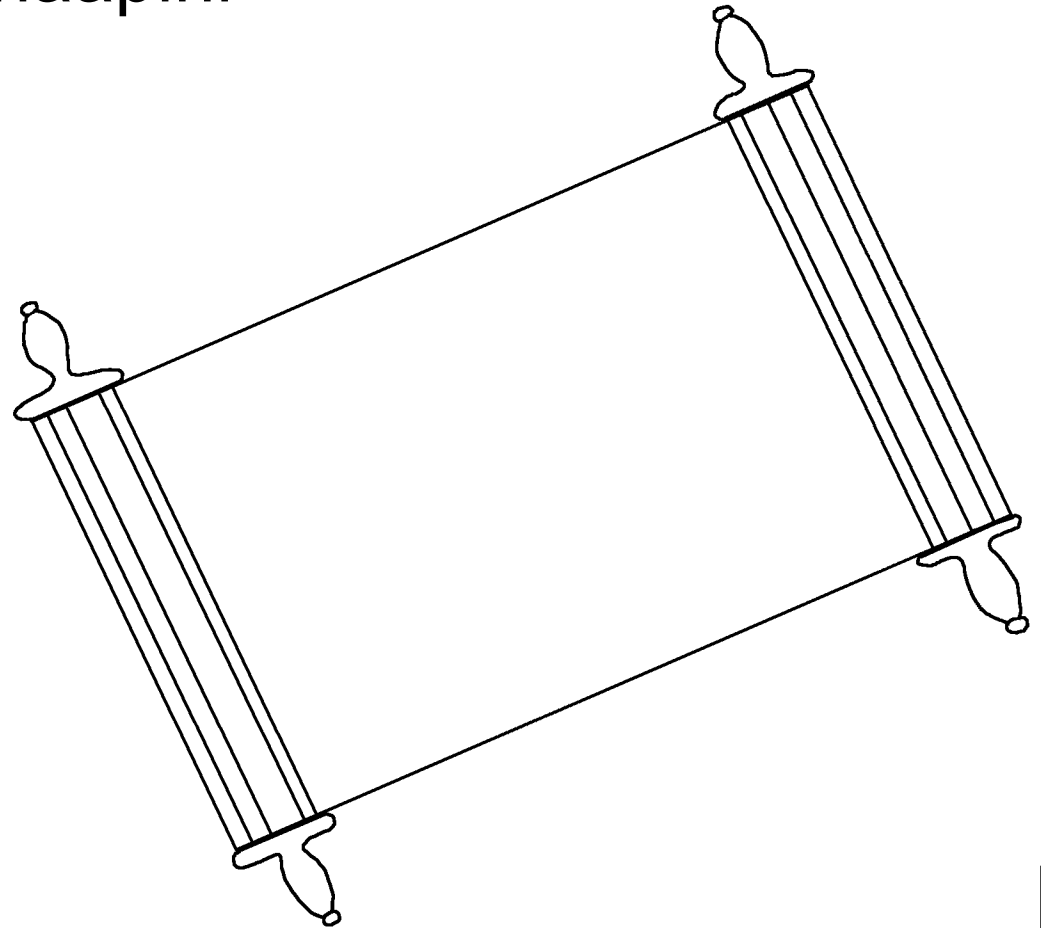
Winjatisaihi ami kiya kindarami isihiya kindarami
otipipati kawiwī kindari nepi mepi Autaahepumaitaapo.
Kiya Autaahaatihoai usoniwi ami komi
ndimaahomwaanji usosaihi ami ko
Autaahaatiho komi
ambipati kiya
nahatiyaami
amiteteti
jipatiwitaase.



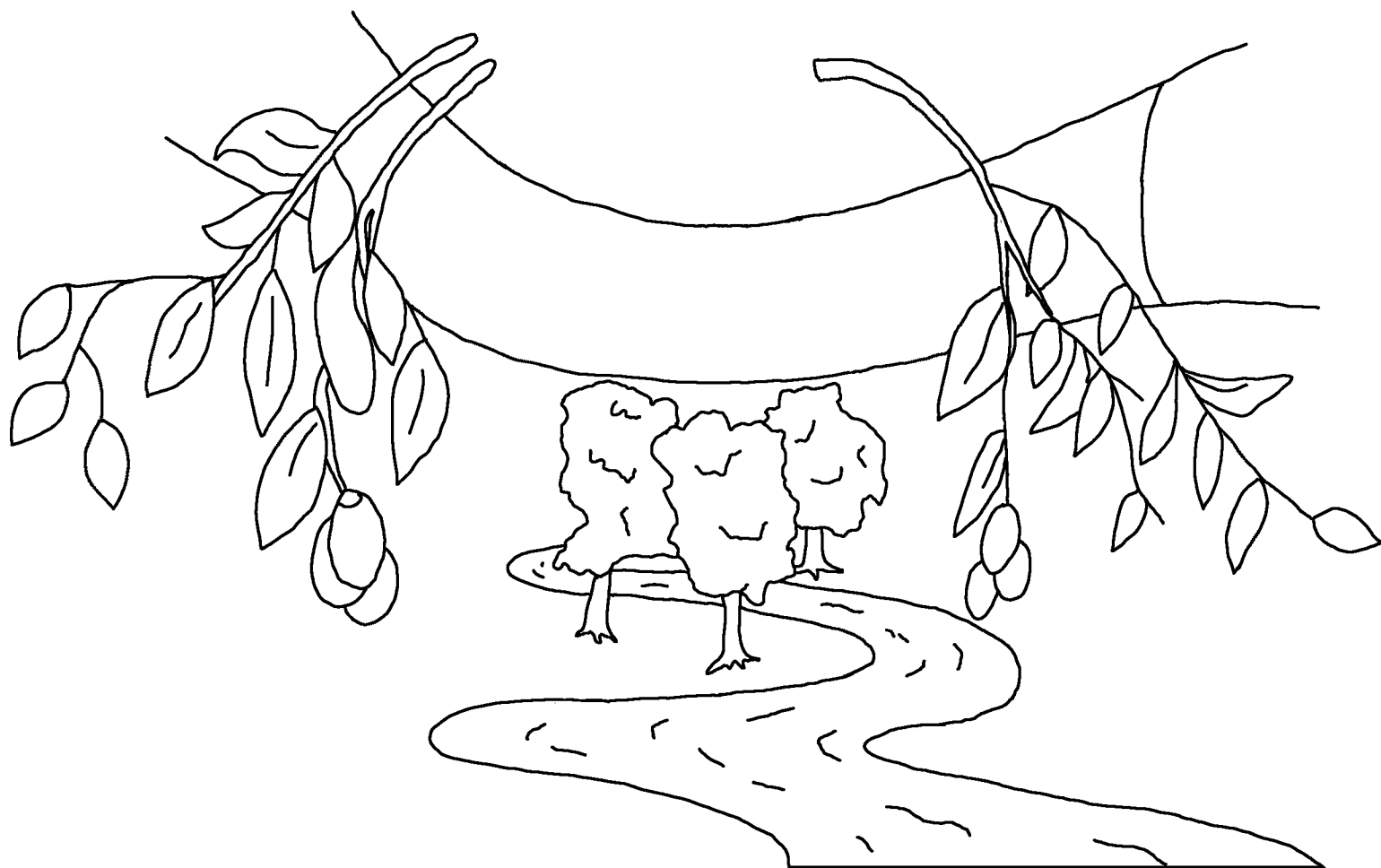
Aihi sandi siyaahandami ndiheti isihiya napohiyihiya
ambipatisawihyauni ami nehihyauni bitohauhi
iwinjataayo. Iyauhi ami utipihaiwa wiwa sapihi
nupwiyaapi ahiyauhi ahotihi jataayo. Aihi ami
utipihandi windisangi isihiya asitimatwi
nasisoari bimaami nutaatiwihyaami
ambipati ahotindihandisangi nupwiyaapi
kapihi ahiyawaayopo.
Aihi kiya napohiyihiya
kiyohiwaiwaapi piwiha
aimi utipihoaatih
ahotisiha mmonati
kaiwaatih jatata
Autaahaatih kaiwa
tipitapaati usonataise.



Iyataati isihyaami ambipati sandi utipindi isihya
asitimatiwi bimitaatiwihyaami ambipati ahotindindaatihi
windi ahimotisawihya siya nahatiyai nepi sisiha
watipiha durihiramatiyati nimandataati
nasisoari tihatoaatisihaapihi
yotitaapo.



Aihi Itipiho Gaahouni ami apopaati wohoai
namaatitandi timetisaamaatuni satamaase: "Kinyi
namme," tamaase. Aisi ami sahi isihiyaati nahatiyaati
piwiha kima piropetiha atiwi nehohiyihiyaatangisangi
satiwi: "Kinyi namme," tiwise.



Iyataati ami sahi waapohopi nasisawihyaati
Autaahaatiho waapoho asitimatitaatiwo nawiho oweho
nehiho nasamitandi nasimendaisi ami nawiho oweho
nasamitaisi sahi napiwi nepise.



Iyataati Autaahaatiho isihiya
yapipatambihiya nahatiyai maariho
apipaahi aungwohandi nunyataise.
Siyati maariho aungwohandi
nunyataati nini komi Mwaahonini
nehi naasonihi kiyaapihi
natanoaasataise.



Natanoaasindimandi apaapimaahe
ami utaaho itapa wo waati nisapi
ginunyaahohiyihiya windi namaapopi
kiya asiyaaimatiwi jinjapihi
jinjapihi kiyaanihi
bimitaatiwe.



Romihya 3:23 Sandi isihya nahatiya
nuratetohitindi ami maipihandi kaiwi kiyai
Autaahaathiho japihi numwaahonih koaisawi maasi
bimitaatiwihandapi nenoahitauhe.

Romihya 6:23 Ami maipihandami otipipati
kawisohiyihyai kandi wihoaanjhandi numwih
napowaayopo. Siyauhhandi kandi Autaahaathiho
sawahometirihiretapi komi otipipatihyai nehhandi
gaahaiwa kawisati numwindihandih nyami
Awaisiho Kiraisi Jisaasihoaisawi maasi
timaamaitohitihanda asiyihyaimatitaatiwihandi
kiyaisi nunyataise.



Ibiruhiya 9:27 Iyataati nyahi aimi mmonaati ginyunyaatahiyaane. Isihiyaanamiheti nyahi napwitihaahandi ahondaise. Isi nyahi nehi naasuraahihi nyapihura napwitihaahure. Napowaati ami Autaahaatiho neti tipitapaati nyasondandihuraapi jatitihaawe. Jatisaihi tipitapaati nyasondandihura noaipahonihi kura Autaahaatiho neti tipitapaati nyasondaise.

Epesaasihiya 2:8,9 Iyataati sa nini sandaato. Sahi Kiraisihopi giwunyaahohitihanda Autaahaatiho sangi sahi gaahapa wapa windi kamaiwi nehihandi gaahandi kasisati japihi nasamaataise. Sahi sawanaati wapa gaahapa kamaiwi nehihandi Autaahaatiho gaahandi kasisati nasanyataise.



Sahi wapa gaahapa kiyauhi kandapi Autaahaatiho
sangi gaahati kasisataamaise. Isi ami sahi
sawanaati naimaatiwi genanitaatiwi owetise.

Romihiya 10:9,10 Isi ami kinyi auta isihiyaami
ndiheti kinyi maahomwaanji nausaapi, "Jisaasiho
nisi Awaisihoe," tipi katipi ami kinyi maariho
omanjititihii satipi Autaahaatiho komi
watipihandaahi animwaahipatombi Jisaasihoai
jahira ahowimati numwaataise tipi
giwunyaapaapaahi Autaahaatiho gi japihi
nangimaitaise.



Nyahi nyami maariho omanjititih Kiraisihopi
giwunyaawaati ami nyami maahomwaanji
nausaawaati auta isihiya usaisi Kiraisihopi
ausaawaati kaundohitihandaahi Autaahaatiho
sanyatati sahi titih saasanotahiyaate nyatati
nyangi japihi nanyamaataise.

Joniho 3:16,17 Iyataati Autaahaatiho isihiya
yapipatambihya nahatiyai maariho apipaahi
aungwohandi nunyataise. Siyati maariho
aungwohandi nunyataati nini komi Mwaahonini
nehi naasonihi kiyaapihi natanoaasataise.
Natanoaasindimandi apaapimaahе ami utaaho
itapa wo waati nisapi ginunyaahohiyihya windi
namaapopi kiya asiyaimatiwi jinjapihi jinjapihi
kiyaanhi bimitaatiwe.



Iyataati Autaahaatiho nini komi Mwaahonih
nataanoaasihi kimaapi yapipataapihi nasohitimandi
isihiyai neti piwiha kiyaamiheti yawutaati sahi
maipihaiwaisawihyaatisi sami maipihaiwaapi
piwiha naitaapo unditandimaah. Owetise. Isihiyai
nini kiyaami maipihaiwaatihapi japihi numwaitandi
ningi Autaahaatiho nataanoaasihi nasataayo.

1 Joniho 5:11-13 Iyataati Autaahaatiho piwiha
akaaha kanyatataati sata kanyatataase, "sahi
asiyaatimatiwi jinjapihi jinjapihi bimitaatiwihandi
aimi nasinyataayo. Iyataati asiyaatimatiwi jinjapihi
jinjapihi bimitaatiwihandami tanyaaho Nisi
Maasihore," tati Autaahaatiho aimi
kanyatataase.



Isi utaaho wo Autaahaatihomi Mwaahoaisati biyati maasi timaamaitataataahi so asiyaaimatiwi jinjapihi jinjapihi bimitaatiwihandi aimi netaise. O utaaho wo Autaahaatihomi Mwaahoaisati windi biyati timaamaamaitataataahi asiyaaimatiwi jinjapihi jinjapihi bimitaatiwihandi windi namaitaise. Piwima kima nini jipatipiyohima sahi Autaahaatihomi Mwaahopi baiwi giwunyaahohiyihiyaatapi jipatipiyataayo. Kima piwima sapi jipatipiyohima apaapimaahе, asiyaatimatiwi jinjapihi jinjapihi bimitaatiwihandapi aimi nehaayo, tiwi baiwi gwinyaitaatiwi sangi kasatiti jipatipiyataayo.



Joniho 14; 2 Korindihiya 5;
Piwiha Ausaimaninjha 4, 21, 22

Storyline by: Edward D. Hughes

Illustrated by: Lazarus
and Alastair Paterson

Adapted by: Sarah S.

Angaataha Bible (agm) © 2004 Wycliffe Bible Translators,
Inc. All Rights Reserved

<https://live.bible.is/bible/AGMWBT/MAT/1>

©2026 Bible for Children, Inc.

www.M1914.org

www.bibleforchildren.org

