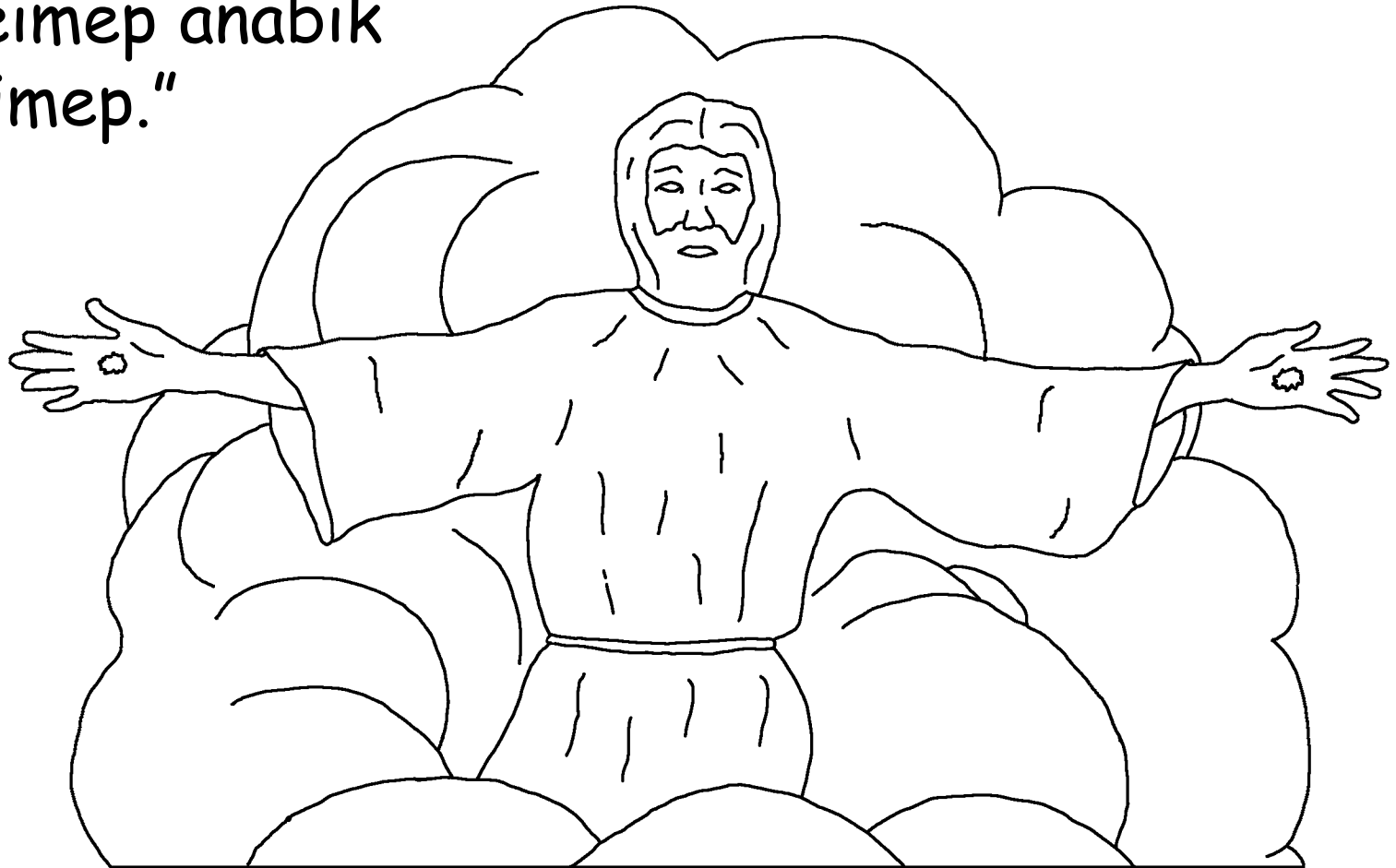


[www.BibleForChildren.org](http://www.BibleForChildren.org)

Jon



Aria Jisas nakrip apak ananim disaipel nakri, "Ipakish mishish ta mare yowesh uwe, uwok. Ipak ko punek bilip um Iruhin aria eik shopunek ta punek bilipume. Gani numunitum atudok eikin Yain ananit urupat douk sabaipi abom rip pape. Aria eik douk ta inak igabeimep anabik nupeimep."

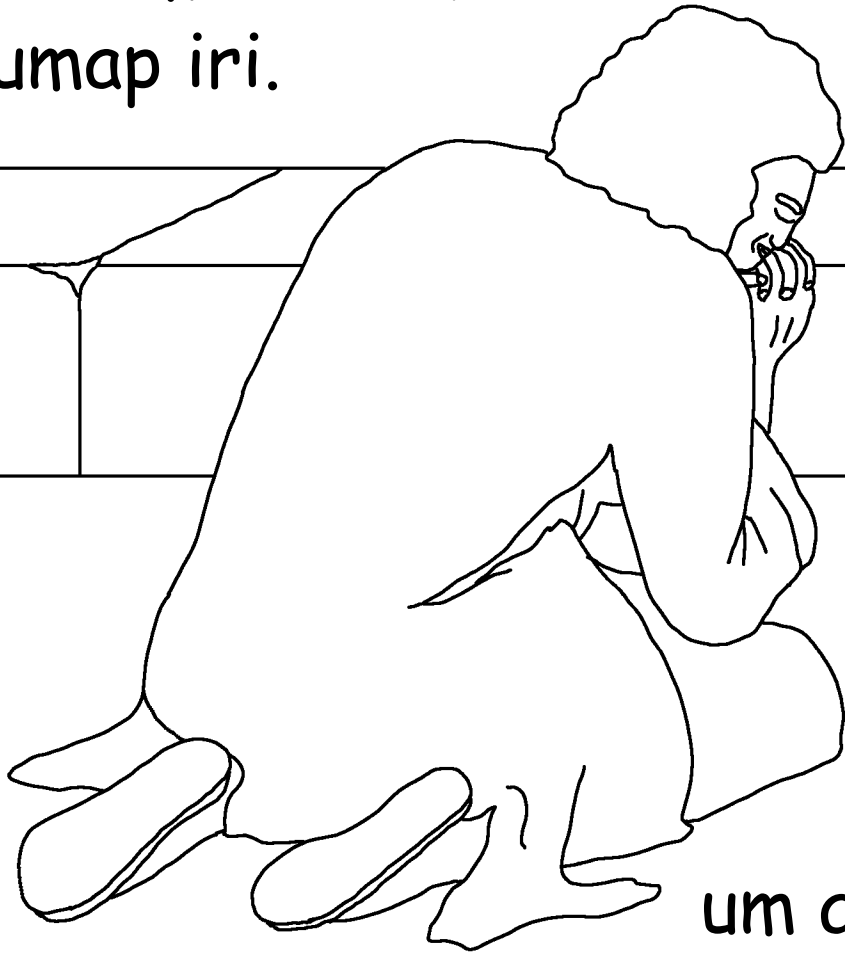


"Douk madae anam rum mukus akure, eik ta mare igiyagimep ikripep namudok uwe, uwok. Adur ta inak igapeshumep-aguk ipakiyu outumeb upemepaguk aria watak itanamori irumep. Aria abrudok wabur eik inak ipeum, ipak shopunek ta puni eik mupe."



Eik ipakin ashuken Jon douk yani ipak munoprom  
Jisas atun iri. Eik douk yani ipak memnek eriger  
aria meyotu dodogowip um musah

enenyenen amaen douk ta  
nyutogrumap iri.

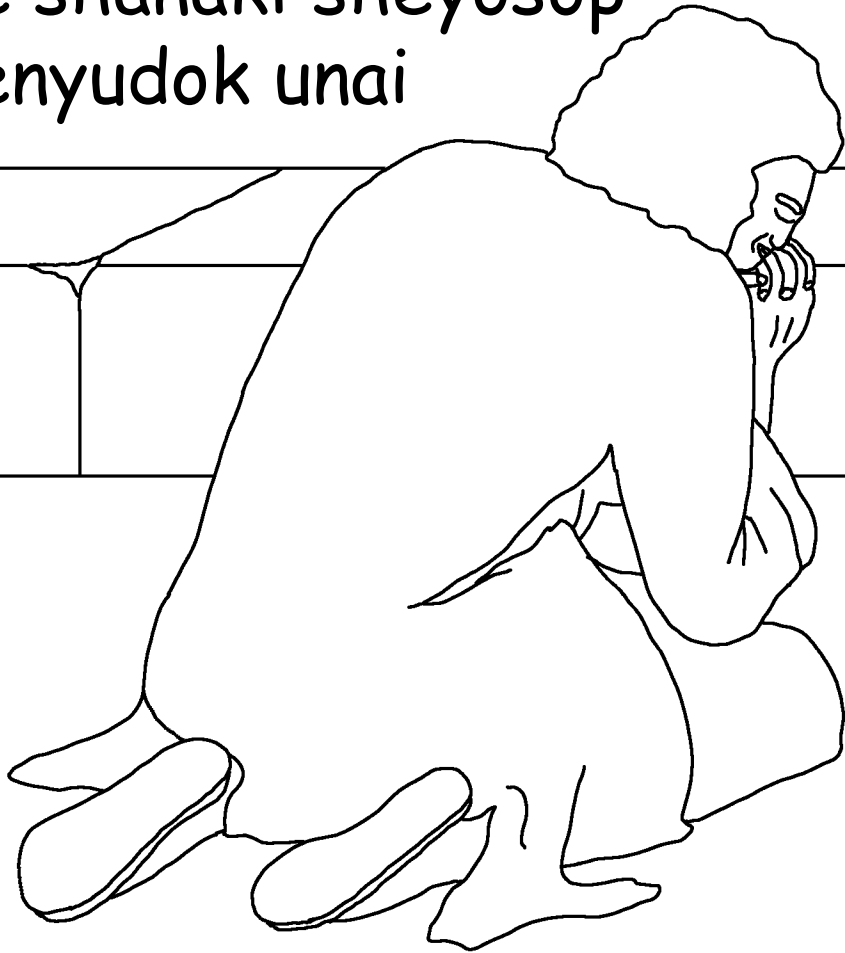


Aria douk shopunek,  
eik ta ini ipak um  
muwish agundok  
Iruhin nape Debeini  
um ananish arpesh um.



Eik douk yakriresh Iruhin ananin barauen nyani  
enyudok adurin atinyi barauen um Jisas. Douk  
namudok aria eshesh shasuhwe

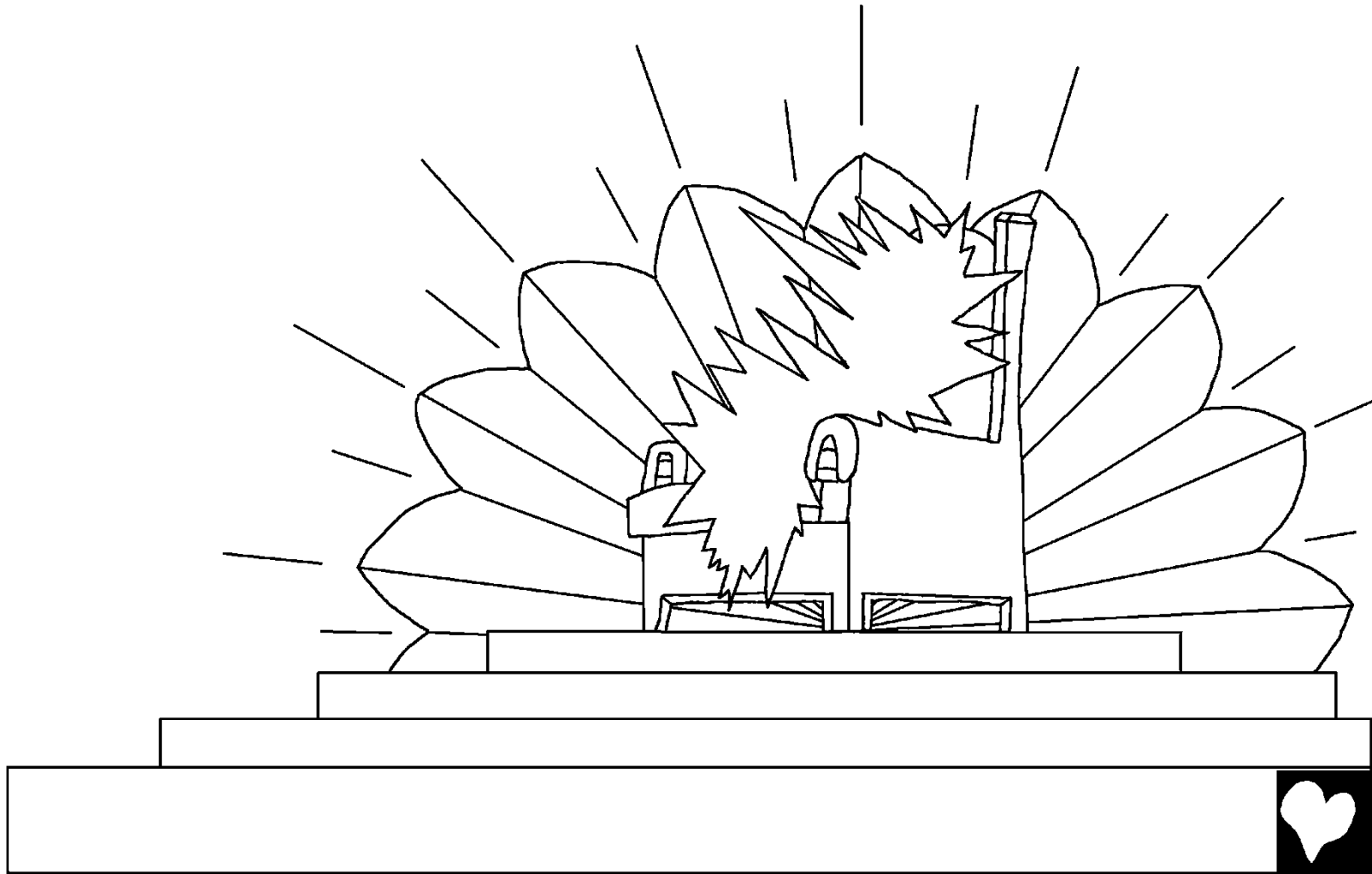
sharawe shanaki sheyosop  
yapeik enyudok unai



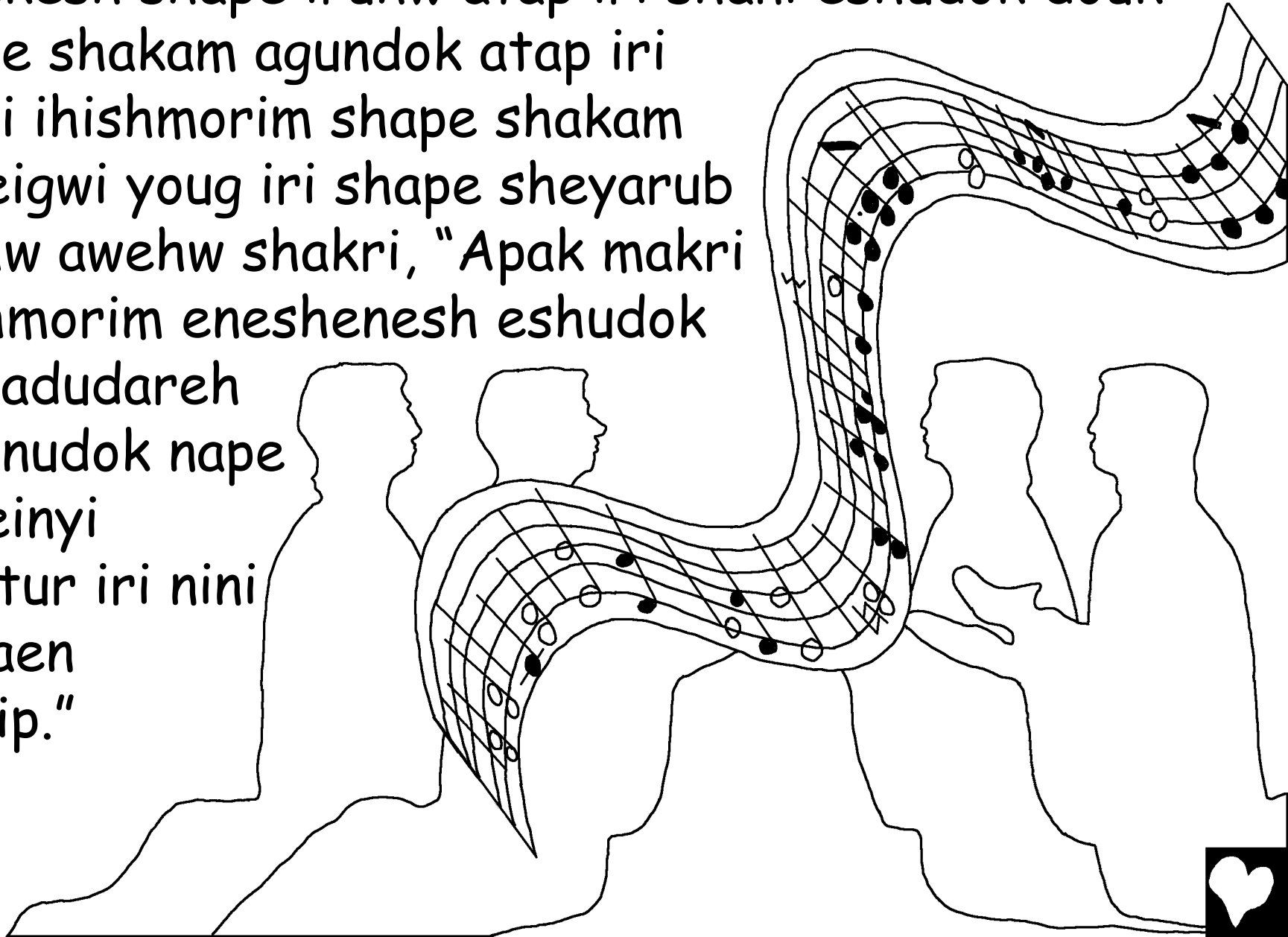
nyeigurinyum Patmos  
iri.



Aria ahudok atuh Iruhin ananin Mishin nyatogrume  
dodogowin atin aria yatigu enen debeinyi wagitur  
douk king-omi atum hapenyen iri nyakus iruhw heven.  
Aria anan arman nape enyudok wagitur.



Aria eik yemnek ihishmorim eshudok douk Iruhin  
nenekesh shape iruhw atap iri shani eshudok douk  
shape shakam agundok atap iri  
shani ihishmorim shape shakam  
debeigwi youg iri shape sheyarub  
onohw awehw shakri, "Apak makri  
ihishmorim eneshenesh eshudok  
shunadudareh  
um anudok nape  
debeinyi  
wagitur iri nini  
Nugaen  
Sipsip."

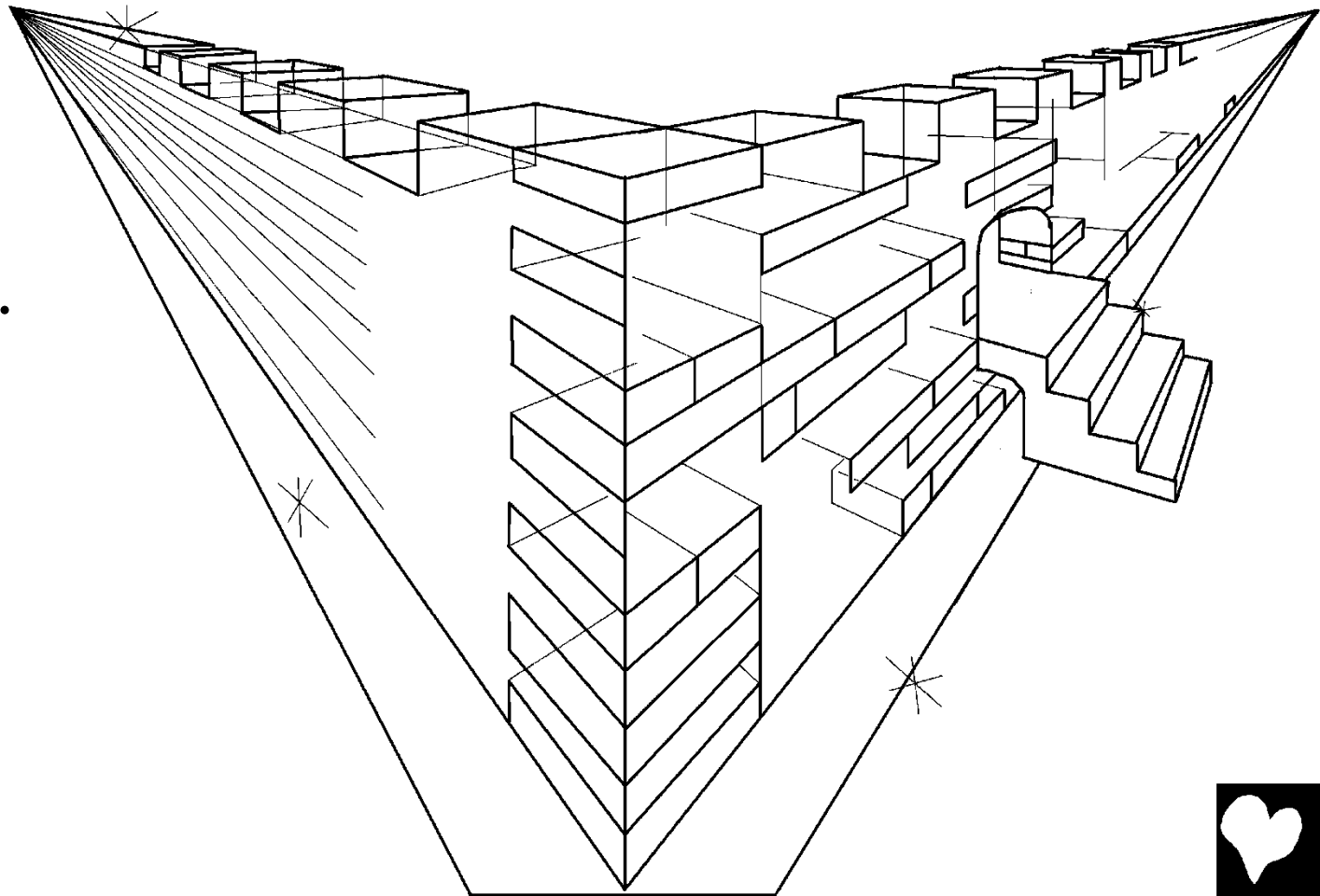


"Aria shutuk esheshish nyeiguhw shuto iruhw aria  
shunek lotumesh ihih nyumneh. Aria makri  
ihinyumorim debeinyi dodog nyuni  
agundok natrugun aria nape  
dodogowini um shupe um eshesh  
biyesh ihih nyumneh!"



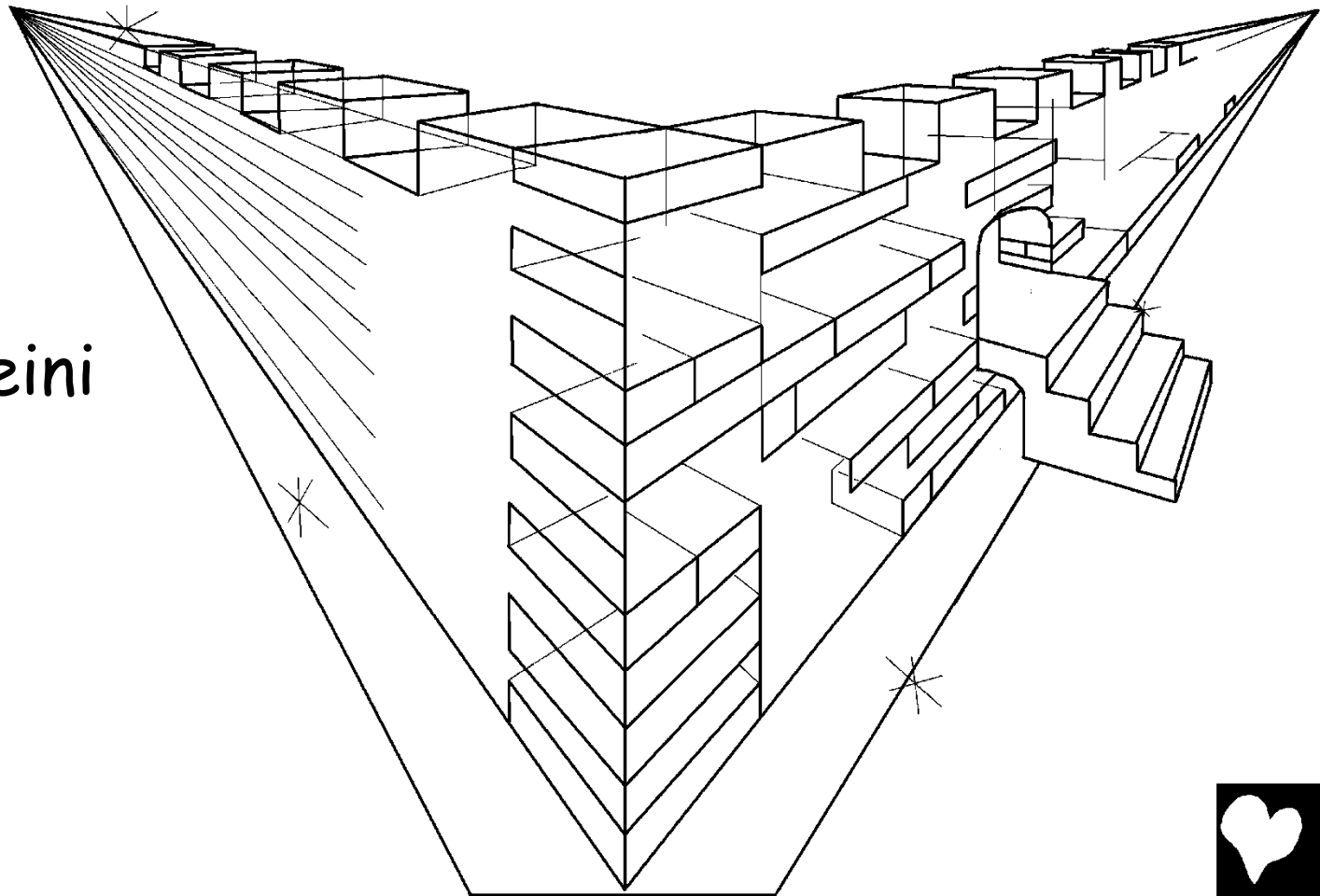
Aria eik yatigu abrudok yopuburi wabur Jerusalem.  
Ababur douk bape iri agundok Iruhin napeum aria  
bakutukuk iruhw heven bape babuhi. Abrudok wabur  
douk shaginohwobur kabi douk onok armatok douk  
kwanaginohw kwenek yopihi atih rupeh aria kwape um

kwuni  
okwokwin  
raminen  
shunaraum iri.



Aria eik yemnek anah mah agundok enyudok debeinyi wagitur nyakus um. Aria enyudok arpen nyeyagwrehi iri nyakri debeg, "Ipak pumnek! Douk Iruhin nani arpesh shape atugun! Aria anan ta nini eshesh shupe aria eshesh

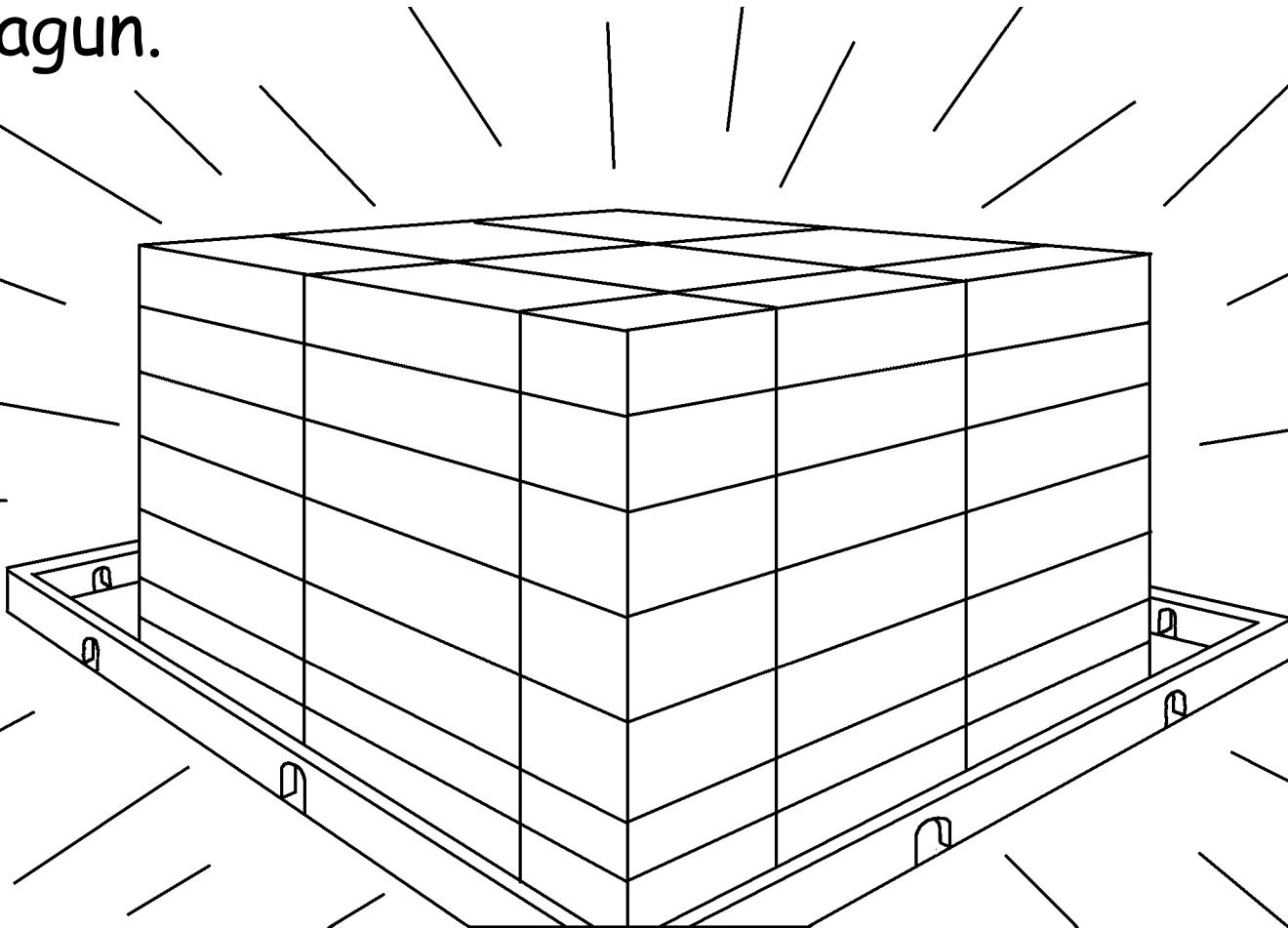
ta shupe ananish atish arpesh. Aria anan ta nupe esheshin debeini Iruhin."



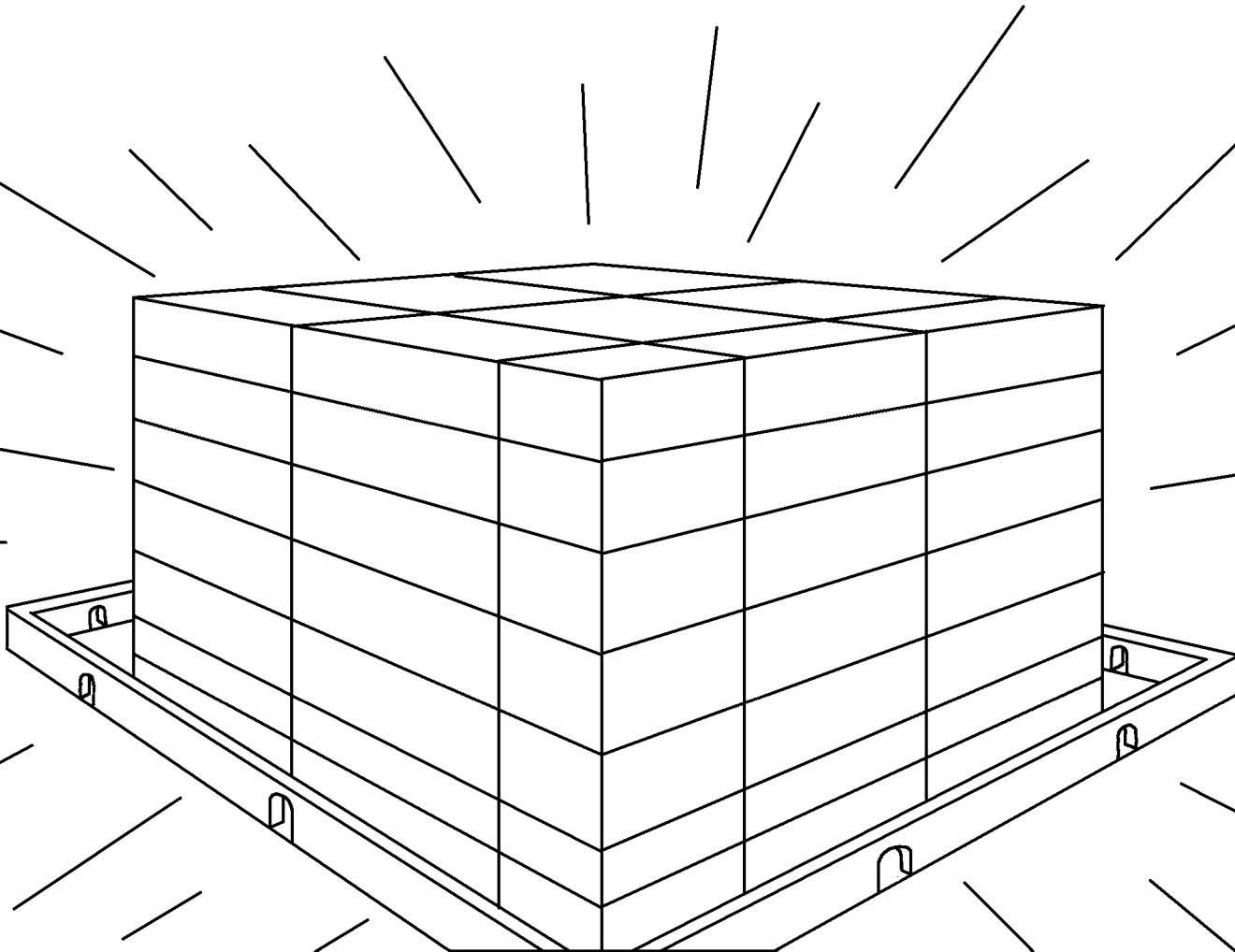
Aria enyudok ensel wata shopunek nyeyabige anab debeibi worub. Abudok worub shopunek douk bogarab abom kabi douk wenyir ratrugun um. Aria arpesh shuwok abar abudok worub iri ta shupe wosik abom ihih nyumneh. Abudok worub douk batobe iri agundok enyudok debeinyi wagitur douk Iruhin nani Nugaen Sipsip hatemenyi nyakus um.



Aria abrudok wabur mour ta mare enen um wah hutao  
hobur um o wabin aun wanyukehin aria nutrugun um,  
uwok. Um mares? Agundok douk Iruhin dodogowin  
aria natrugum abom um, agagun kanak ta nunek  
ihigunmorim um abrudok wabur butrugun aria  
bogaragun.



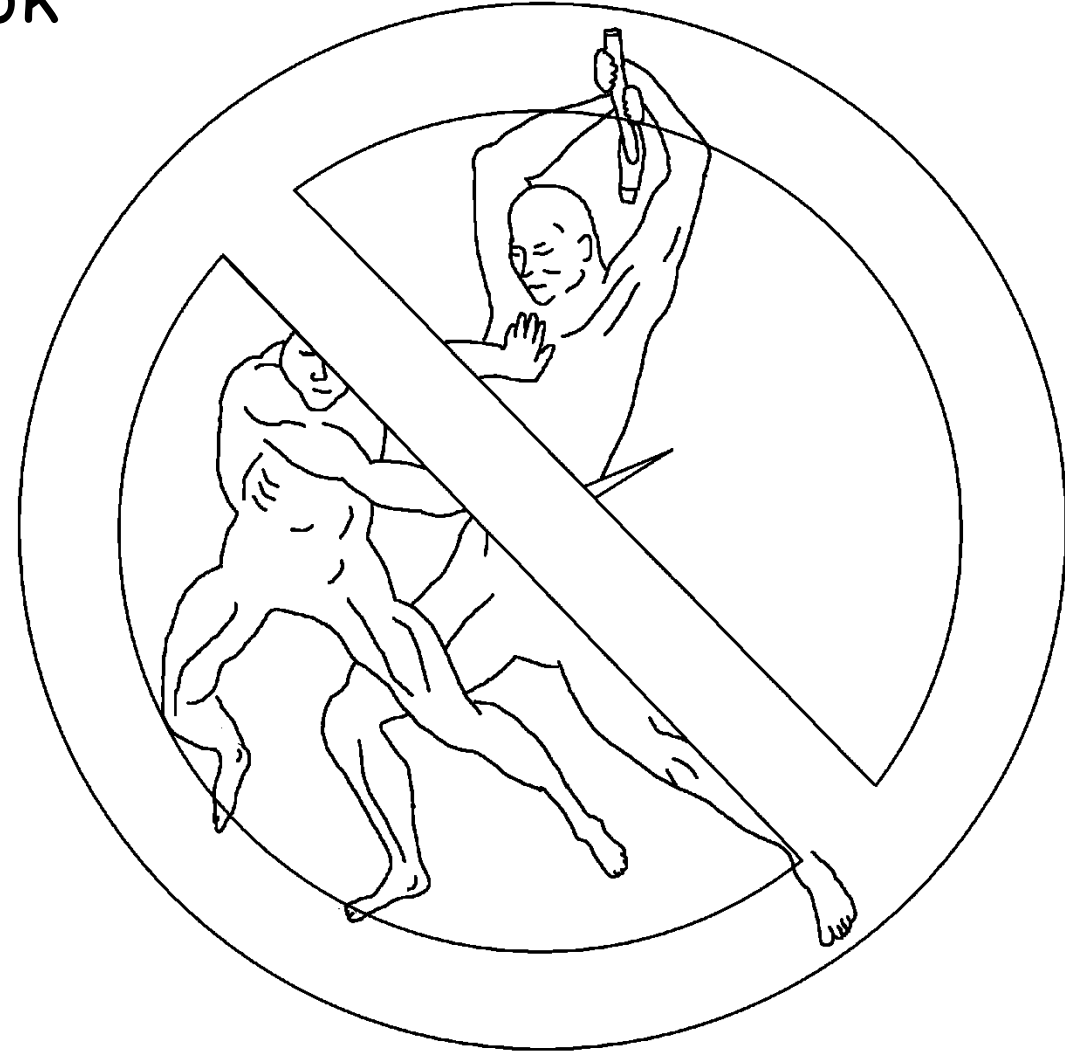
Aria shopunek, enyudok Nugaen Sipsip enyen kanak  
nyabuhi kabi douk lam um aria nyenekagun bogaragun  
abrudok wabur.



Aria ihishmorim eneshenesh  
shabosusih iri yoweishi eshudok  
shuni eshudok arpesih douk  
shenek eneshenesh yoweishi  
inahos iri, shuni eshudok  
douk shenek abraenyih  
aih iri, shuni eshudok  
douk shenek rohw um  
kupaishi iri ta mare  
shuwish abrudok  
wabur, uwok.



Aria eshudok arpeshe douk esheshish nyeiguhw shetem Nugaen Sipsip enyenyik buk iri eshesh atish ta shuwish abrudok wabur. Okwudok buk okwok douk eshudok arpeshe douk ta shupe wosik abom ihih nyumneh iri esheshish nyeiguhw shetemokwi.



"Aria anan ta nubatikumesh abih esheshis nabes aria eshesh ta mare wata shugok atin, uwok. Aria esheshiruh aparuh ta mare wata yoweruh aria shumnek anar eriger aria shureh, uwok. Ihinyumorim enenyenen douk seiwok nyape nyatogur um arpesh iri douk nyanak nyawishuk abom."



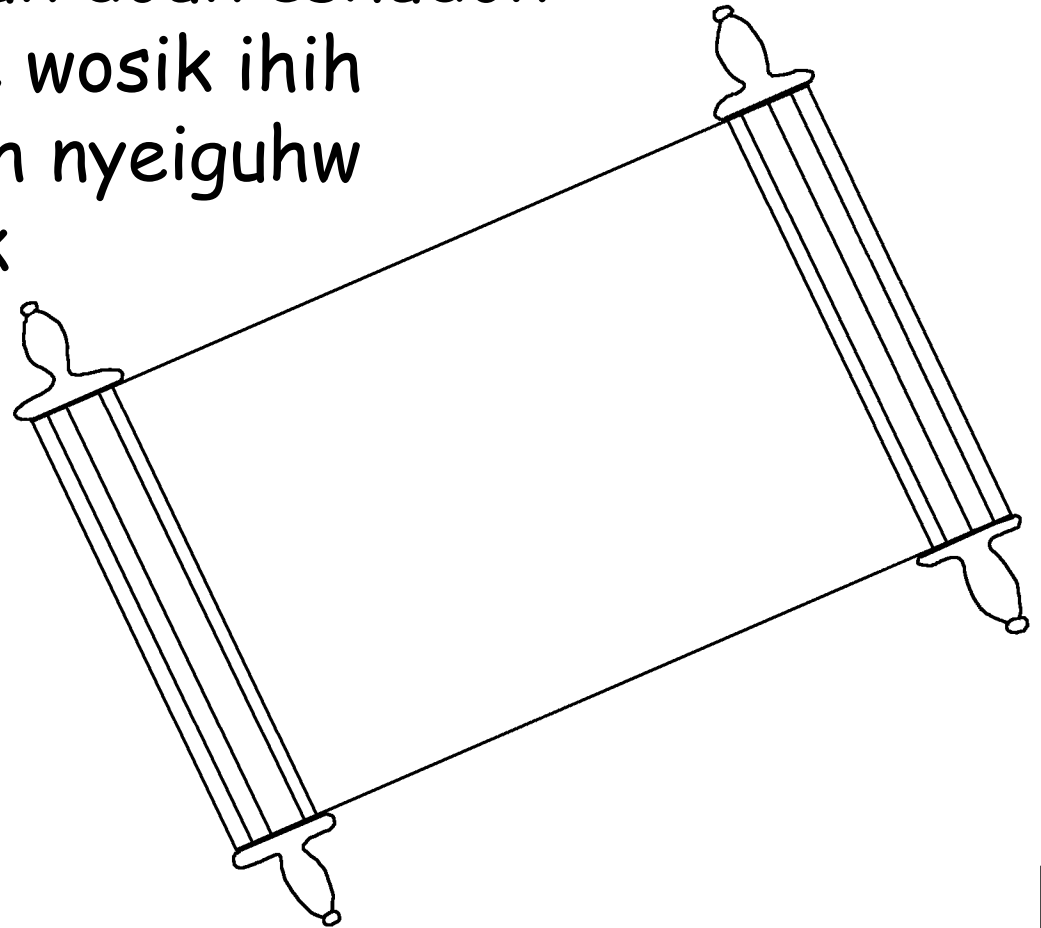
Aria ihishmorim eneshenesh yoweishi inahos eshudok  
shuni arpesh douk Iruhin nakri adur iruhw abom um  
nakri wokumesh iri ta mare enesh shukus abrudok  
debeiburi wabur, uwok. Aria Iruhin nini Nugaen  
Sipsip amamin debeinyi  
wagitur ta nyukus  
abrudok wabur.



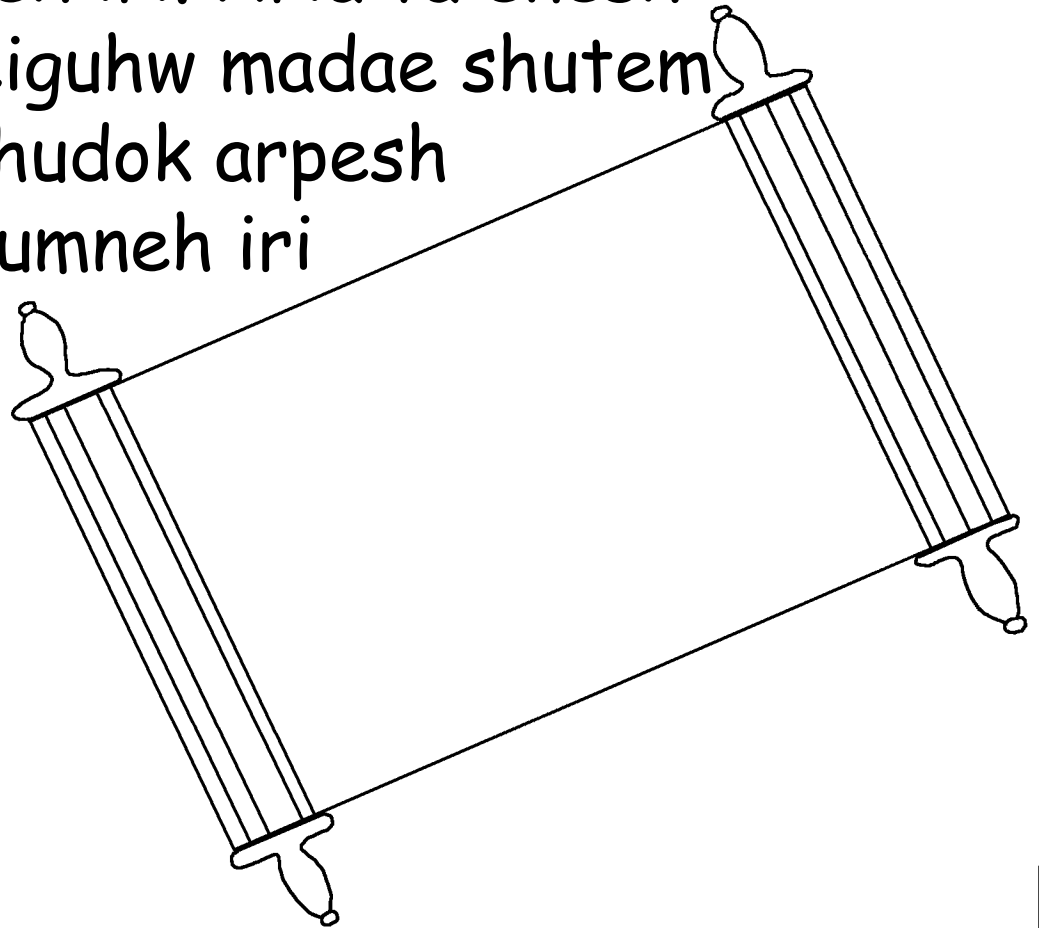
Aria eshudok douk shenek Iruhin ananin mour iri ta shupe shunek lotuman. Eshesh ta shutik ananig yamag aria ananin nyeigur ta nyutem esheshish domaesh.



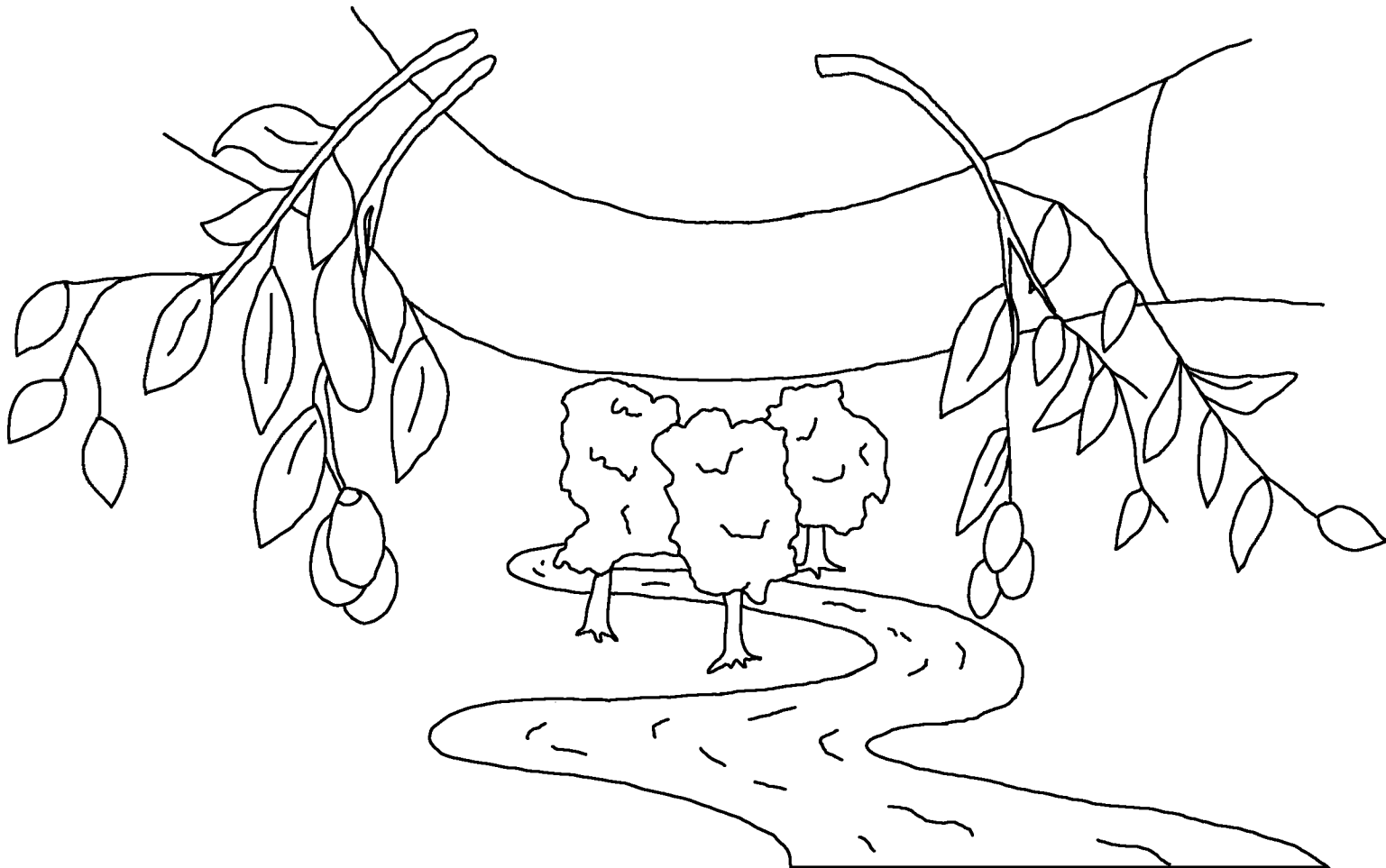
Aria eik yatik eshudok ihishmorim shagok iri.  
Eshudok douk nyeiguhw shato-umesh iri shani  
nyeiguhw wokeshi sheyotu hurukatin um enyudok  
debeinyi wagitur nyakus um. Aria ono bumeb wanajik.  
Aria okwudok onok buk douk eshudok  
arpesh douk ta shupe wosik ihih  
nyumneh iri esheshish nyeiguhw  
shatemokwi shopunek  
kwanajik.



Aria anudok netem enyudok debeinyi wagitur iri natic  
eneheneh aih hatem oudok bumeb iri douk eshudok  
arpesh shape shenekeh iri. Aria anan nenekumesh  
baraen wosik-umesh um ihimorim eneheneh aih douk  
eshesh shape shenekeh iri. Aria ta enesh  
arpesh esheshish nyeiguhw madae shutem  
okwudok buk douk eshudok arpesh  
douk ta shupe ihih nyumneh iri  
esheshish nyeiguhw  
shetemok iri um,  
eshesh ta  
shunawashak  
shugrukuk agudok  
nuwag douk  
nyih hanug iri.



Aria Iruhin ananin Mishin nyani Nugaen Sipsip  
enyenyik irohukwik shakri, "Yowi!" Aria eshudok  
arpesh douk shumnek enyudok baraan iri shopunek ta  
shukri, "Yowi!"



Aria eshudok arpesk douk abar baesh iri ta shunaki  
aria shuwok abrudok abar douk ta arpesk shubroh  
aria shupe wosik abom ihih nyumneh iri. Ababar  
Iruhin ta nukeshabar meyoh. Eshesh ta mare  
shutorabar, uwok.



Iruhin anan douk atun arag Nuganin  
meyoh nape. Aria Iruhin nakri  
nanawasham abom ihish arpeshe um  
agudok nahobig, namudok aria anan  
neshopoki anudok atun nuganin  
um eshesh.



Aria eshesh shusuhw ananin baraan  
dodog aria eshesh ta mare shunak  
shuwishuk uwe, uwok. Aria ko shupe  
wosik abom ihih nyumneh.



### Rom 3:23

Ahudok yah douk namudok. Ihishmorim arpesh shusuhw Jisas Kraiss ananin baraan dodog ba shigipeshen iri, Iruhin apa nahwatesh yopishi arpesh. Anan nenekesh namudok um ihishmorim agundok atapishi arpesh shopunek ta shenek bilip um Kraiss atin aria shugim ahudok atuh yah. Umum mares? Anan nenekesh namudok atin um ihishmorim arpesh. Apak ihishmorim douk monek yoweishi inahos iri aria adur atin mapeik rougun um Iruhin aria madae muraos ananini yopihi aih uwe, uwok.

### Rom 6:23

Umum mares? Yoweishi inahos ta shekesh shashudok arpesh douk shape shakamum shenekesh iri. Enyudok poe douk shugok atin um. Aria enyudok Iruhin nakopen meyoh iri yopunyi mugu douk enyudok. Aria ta adur mupe wosik ihih nyumneh. Apak douk monak matoruhw Kraiss Jisas apakin Debeini aria ta nunekap mupe namudok.



Hibru 9:27

Ihishmorim arpeshtashugok atuh meyohtaria ta wata  
shukitakshiyotu um Iruhin ananit debeiti kwot.

Efesus 2:8,9

Enyen douk Iruhin nataurumep meyohtum agundok ipak  
pasuhw Kraisananin baraden dodog pagipeshen um ari  
anan naraep patanamori pape wosik. Enyudok enyen douk  
madae ipak kanak pakri um putanam pupe wosik uwe,  
uwok. Enyen douk Iruhin kanak nataurumep meyohtum naraep  
patanamori pape wosik. Enyen douk madae ipak punek  
mour ari douk naraep putanamori pupe wosik uwe, uwok.  
Douk namudok ari ta mare enen atin arpen nyukri nyutuk  
enyenyin nyeigur nyuto iruhw, uwok.



## Romans 10:9,10

Aria nyak nyuhur nokwat nyukri, "Jisas anan douk Debeini" aria numun nyakim urkum nyunek bilip nyukri Iruhin adur wata nonohur nakitaki wonugwehw napeum, namudok Iruhin ta wata nuraen nyutanamori nyupe wosik. Um maresh? Apak urkwip pakri adur munek bilip abom um Kraiss douk nagok wata nakitaki aria Iruhin natrup nohwarap yopishi arpes. Aria nokwatog apa moguhur makri apak menek bilip um Kraiss.

Douk namudok aria Iruhin wata narap matanamori mape wosik.



John 3:16,17 Iruhin anan douk atun arag Nuganin meyoh nape. Aria Iruhin nakri nanawasham abom ihish arpesh um agudok nahobig, namudok aria anan neshopoki anudok atun nuganin um eshesh. Aria eshesh shusuhw ananin baraden dodog aria eshesh ta mare shunak shuwishuk uwe, uwok. Aria ko shupe wosik abom ihih nyumneh. Iruhin madae neshopok ananin Nuganin nunamori agudok atapig nahobig um nunemesh baraden arpesh kabi douk anan jas um uwe, uwok. Aria anan douk neshopokan nanamori nurao ihish arpesh shutanamori shupe wosik atin.



## 1 John 5:11-13

Aria enyudok adurinyi baraeu douk Iruhin nakripap-enyi douk enyudok. Iruhin douk nenekap um mupe wosik abom ihih nyumneh. Aria baugos um agundok mupe wosik ihih nyumneh um douk nyape um ananin Nuganin atun.

Meinyi arpen douk nyutukur ananin Nuganin iri, enyen douk ta nyupe wosik abom ihih nyumneh. Aria arpen douk madae nyutukur Iruhin ananin Nuganin iri uwe, enyen ta uwok meyoh. Eik yenekumepogu enyudok baraeu ipak douk penek bilip um Iruhin ananin nyeigur iri. Yenekenyumagu yakri ipak putrin aria pudukemesh um, ipak Iruhin douk nenekep um pupe wosik abom ihih nyumneh.



Jon 14; 2 Korin 5; Revelesen. 4, 21, 22

Storyline by: Edward D. Hughes

Illustrated by: Lazarus  
and Alastair Paterson

Adapted by: Sarah S.

Arapesh Central Costal Bible (ape) © 2003, Wycliffe  
Bible Translators, Inc. All rights reserved.

<https://www.bible.com/bible/1005/MAT.1>

©2026 Bible for Children, Inc.

[www.M1914.org](http://www.M1914.org)

[www.bibleforchildren.org](http://www.bibleforchildren.org)

