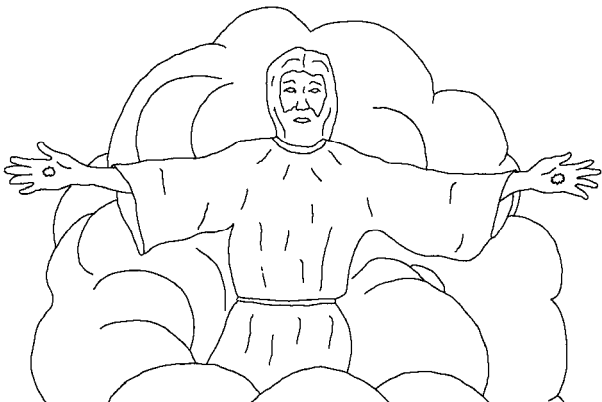


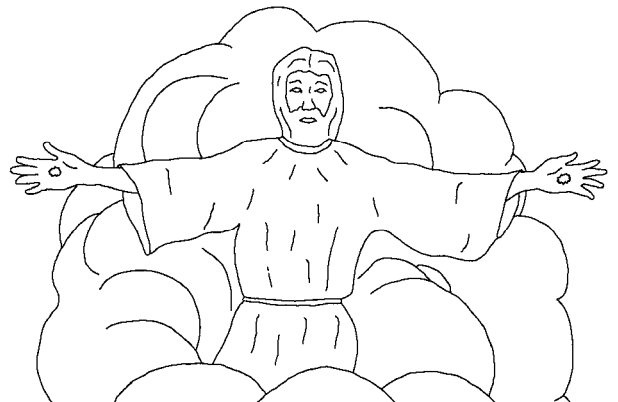
Jon 14



Tombe Yesu nêêl having nambe, "Ham-ame naham jak e, ham alompayo na timu vu Anutu, tonde yik ham alompayo naam timu vu sa gaving. In Aamangg-ate bayêên ond lopayo ngeeyaata neep. Nambe me-neep e, ond sale naanêêl vu ham naambe me-neep e."



"Lemu neep om sana samu taaku vu ham. Ke, sana galo taaku jung na vêêl e mem saanom gako ham jak-ambe yanaah mando, in taaku sen sa mandôô-to ond ham e mando gaving."



Sa Jon sen hamate halim saa-to, ond yik yiyi pin-ambe yaatu Yesu-te hil nôôn timu be Anutu nanggin yiyi ahondoos, tombe yiyi pin

nako nivaane be yiyi o naale niwêêk-ambe

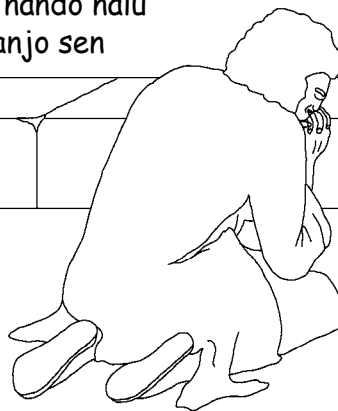


yiyi naaku nimeen navuh ti.

3

Tonde Anutu-te vakasin, osin vakasin sen Yesu nêêl langaah-ato, ond yik saanêêl vakasin-anju langaah ondeey laluuus sa be lanêêl-ambe

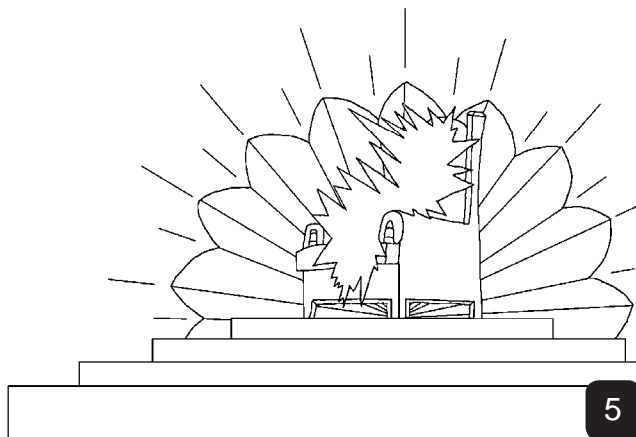
sa laam nando nalu lavuun-anjo sen



danêêl nambe Patmos-ato.

4

Om yik pavis atombe Vavi Vaambuung hôôvu sa lôôt, tombe saahé omaaho ti nando lak sia lulemak-ate vu baandoni.



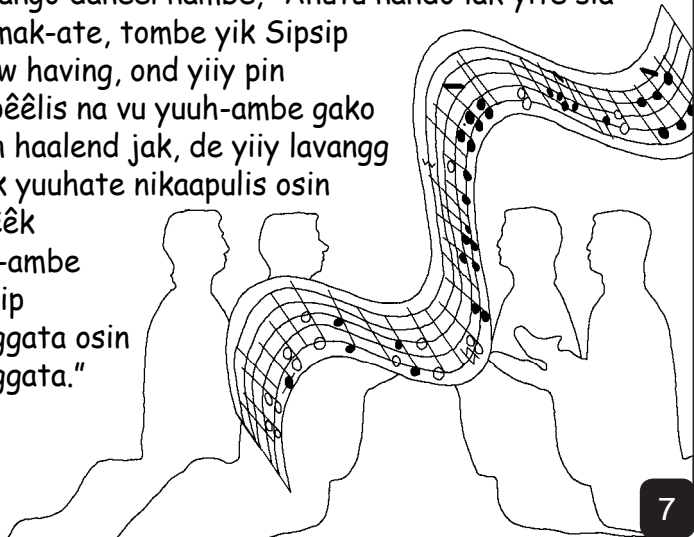
5

Tonde sa hango va vaha vaha pin sen Anutu hatung-ato lavand, va sen dando yendak osin dando ngaanggis-ato, de va sen dando hôôk ngaanggis kambinii-to osin va sen dando hôôk lôôy-ato.



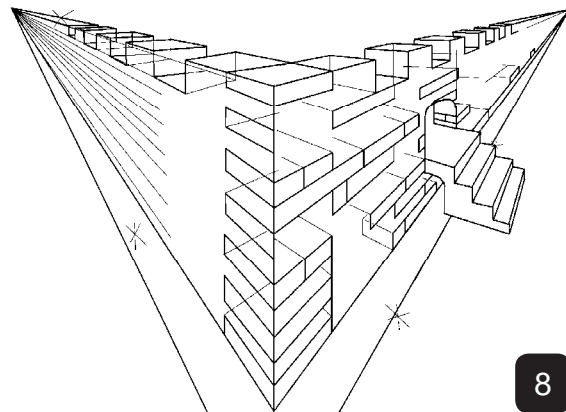
6

Keen, va pin sen dando be lalohvu taaku pin-anju ond sa hango danêêl nambe, "Anutu nando lak yite sia lulemak-ate, tombe yik Sipsip Noow having, ond yiyi pin naapêêlis na vu yuuh-ambe gako yuuh haalend jak, de yiyi lavangg dôôk yuuhate nikaapulis osin niwêêk lôôt-ambe nanjip danggata osin danggata."



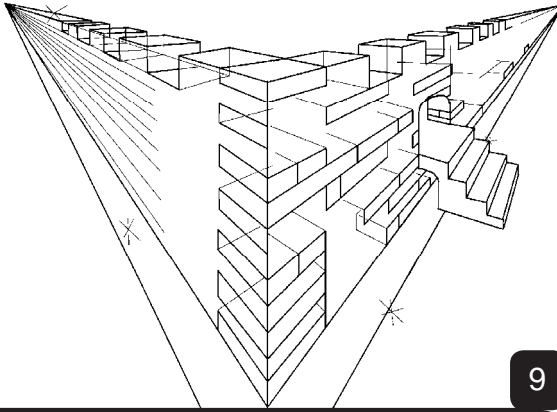
7

Tonde yik saahé taaku vaambuung bop, ond manyinju Yelusalem moos, ond saahé Anutu wiing vu baandoni be nalukalaam voon, tombe yite vunakin amengali in nambe na jak vu yite moow.



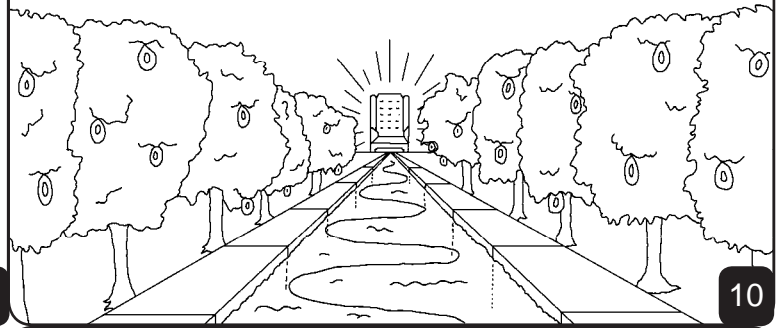
8

Tonde sim sa hango kôôk ti laam vu lulemak-ate siaa-juuto nambe, "Angge, gêên Anutu-te bayêên sen mando gaving omaahonôôn-ato ond manyinja. Yoo le mando gaving sil-ande sil daatu yite hil, tonde mem yi Anutu yoo le mando gaving sil."



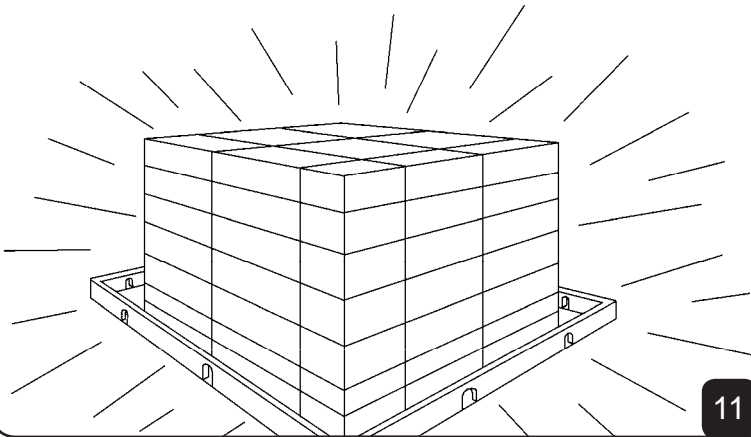
9

Lung atonde sim angela taato bel bopaata metumin-ate ti vu sa, tombe bel-anju yoo natêêlang lôôt lohvu dundum. Bel-anju vêêl hato omaaho lulemak Anutu yuuh Sipsip Noow-ate sia be la.



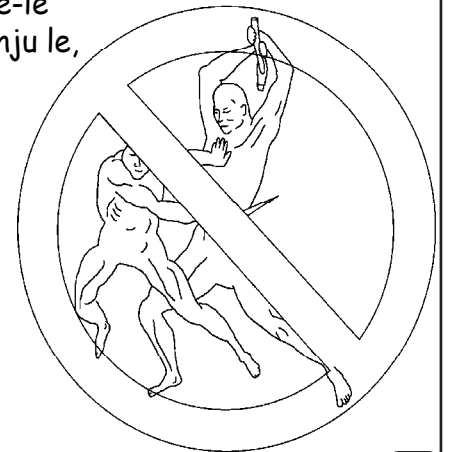
10

Tombe taaku bop-anju ond taaku mekaalus ayuuh kwaav-ame natum e, malis, yik Anutu-te nikaapulisi amu yoo navu melangaah vu taaku-ju, tonde Sipsip Noow ond yoo tu taaku-jute kin tumin.



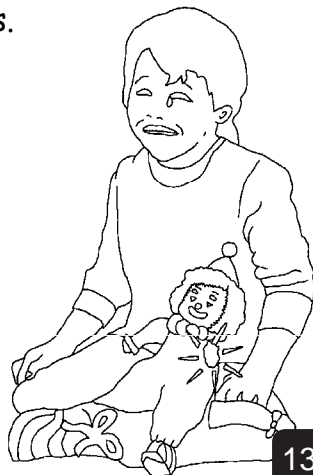
11

Lemu va vaalu sen Anutu nayi payaa-to, osin hil sen dawiing va nipaya vaha vaha-to, tonde tatuhin ambu-so, ond vaa-ju me-le landukana taaku bop-anju le, malis lôôt. Yik hil vaalu sen Sipsip Noow kaavu sil haalend lukala yite kaapiya metumin-atêêto, ond yik hil-anju ond mem yoo le landukana taaku bop-anju lopayo.



12

"Yoo le jaavu sil amend luk na vêêl, tonde hil-ame le lanjimb jesin naah e, osin londpayo me-le nimeen naah e, de me-le daasu osin sil-ame le gako nivaane jesin naah e, malis. Yik va pin sen vu munggin-ato ond lung la valok-ate."



13

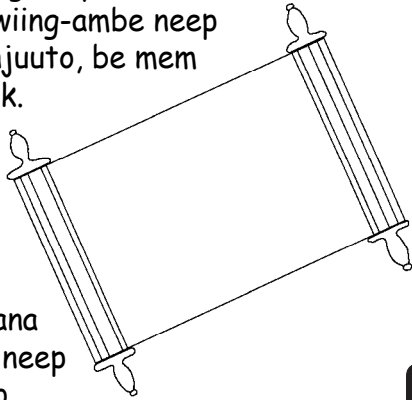
De va nipaya pin sen Anutu nimbayaa-to ond ti me-le mando dôôk taaku-ju le, yik omaaho lulemak Anutu yuuh Sipsip Noow oo le mando hôôk taaku bop-anju, be yik Anutu-te hil kul-ate yoo le mondanohak vu yi. Tombe sil le mondanji mekaalus, de haale le nanjip ak sil damband.



14

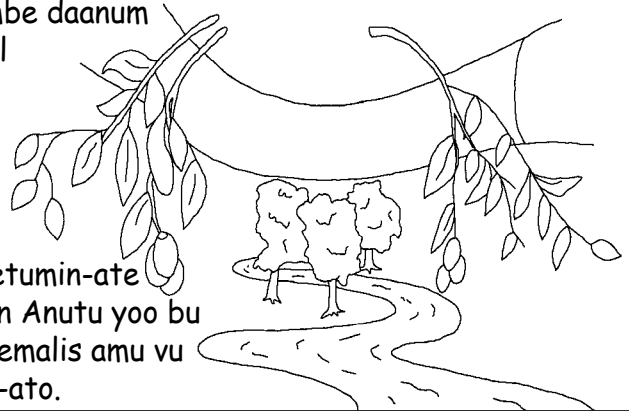
Tonde sim saache hil yimbin pin, hil sen haalend bop-ato osin hil malis, ond daale omaaho sen nando lak siao-ju mekaalus. Tombe omaahôô-ju katekin kaapiya heey, tonde sim katekin kaapiya ngo sen metumin-atêêto having. Nayi vakasin sen kaavu lak va sen yimbin-aso dawiiing-ambe neep hôôk kaapiya heey-anjuuto, be mem navu sahi sil ak nivalok.

De naambe omaaho sen navu sahi hil-ato ji naambe omaaho ti haale me-neep hôôk kaapiya metumin-ate le, ond yik gaate dukana kin mala bopaata sen neep nambe betum-anjuuto.



15

Tonde Vavi Vaambuung ayuuh Sipsip Noow vane lanêêl nambe, "Ganaam," om hil sen lango vakasin-anju yoo daanêêl gaving naambe, "Ganaam." De hil sen lond bambôôv in bel-ato ond yik yoo lanaam. Hil sen lawiingin nambe daanum bel-ato ond yik sil lanaam-ambe daanum bel



16

In Anutu yoo ka pasiv lôôt in hil pin vu voon, om wiing Noow yoo nôôn timu laam in nambe hil pin sen londpayo na timu vu yii-to me-lana mend nama le, malis, sil oo mando metumin danggata.

60

60

17

Lom 3:23

Keen, yiy omaahonôôn pin ond yiy naawiiing va nipaya, om yame aalohvu nambe yaambiing va nohvu sen Anutu ahe naving-ato le.

Lom 6:23

In va nipaya navu nyevahaan vu hil nambe lanjimb-ambe lana mend nama, lemu Anutu ond nawiing samu samu nyemalis amu vu yiy lak yate Omaaho Bop Yesu Kalisi-te kul nambe yiy mando metumin danggata.

Hibluu-to 9:27

Hil pin e lanjimb balon timu, tonbe sim taamusin e le lambiing vakasin.

18

Epesas 2:8,9

Ke, ham-ame awiing vati lukalaah in nambe nôôh ham vêêl in va nipaya-te nyevahaan e, nganjo ham alompayo la timu vu Yesu, tonbe Anutu yoo wiing samu samu vu ham, om yik lôôh ham vêêl nyemalis amu. Dangga me-neep vu va sen ham nawiing-ato in nambe ham oo gako ham haalem jak e.

Lom 10:9,10

Om naambe onaanêêl Yesu langaah naambe Omaaho Bop, tonde gambiing gaving hôôk galompayo naambe Anutu wiing-ambe kandi lak vu hil yimbin-ate, ond Anutu le gako hong naah vu yi. Keen, yik yalonggpayo nawii-having atombe Anutu nanêêl yiy nambe hil anivalok, tonde yavingg nanêêl nambe yaawii-having Yesu tonbe Anutu nako yiy nalaah vu yi.

19

Jon 3:16,17

In Anutu yoo ka pasiv lôôt in hil pin vu voon, om wiing Noow yoo nôôn timu laam in nambe hil pin sen londpayo na timu vu yii-to me-lana mend nama le, malis, sil oo mando metumin danggata. In Anutu me-wiing Noow laam voon in nambe bu nyevahaan dôôk omaahonôôn-ate nipaya le, malis, wiing yi laam in nambe dôôvu sil.

1 Jon 5:11-13

Om vakasin keen sen Anutu nêêl langaah-ato nambe Anutu vu metumin danggata-te vu yiy lung la, metumin-anjo dangga lak Noow Yesu timu. Hil pin sen Anutu Noow nando having sil-ato ond sil dala mop metumin-ate, de hil pin sen Anutu Noow-ame nando having sil-ato, ond me-dala mop metumin-ate le. Sa kaavu vakasin-anjo laas vu ham in nambe ham anjak ni vanuh naambe ham sen ham alompayo nala timu vu Anutu Noow-ato, ond metumin danggata-te tu hamate va.

20

Jon 14; 2 Kolint 5; Taato Langaah 4, 21, 22

Storyline by: Edward D. Hughes

Illustrated by: Lazarus
and Alastair Paterson

Adapted by: Sarah S.

Buang, Mangga Bible (mmo) © 1981, Wycliffe Bible
Translators, Inc. All rights reserved.

<https://live.bible.is/bible/MMOWBT/MAT/1>

©2026 Bible for Children, Inc.

www.M1914.org

www.bibleforchildren.org