

www.BibleForChildren.org



JOHAN 14



Naa lung rei a thuisah khe lo. Khazing zing la, kama zong pa zing hrah my lo. Ka Paw a ing letah ungnah a khang hlupui a ung. Ma cawh cang lytah ung my seh la, ka ca ching tha he a. Naa cawtah ungnah hminghmaw tingtua rua pawtah ma lang cawh ka sei a.



Taico va sei neh ka, naa cawtah hminghmaw ka va
tingtua a, ka ungnah letah naaning zong naa ung khy
hrah nápwatna naaning lá pawtah ka vong kaw a.



Kama, Johan cawh naa uny ka cang. Taithuinah le
a painah raang le mua ingnah letah Zisu khatah
kaa zongmingtei tah kaa hrong he peh.

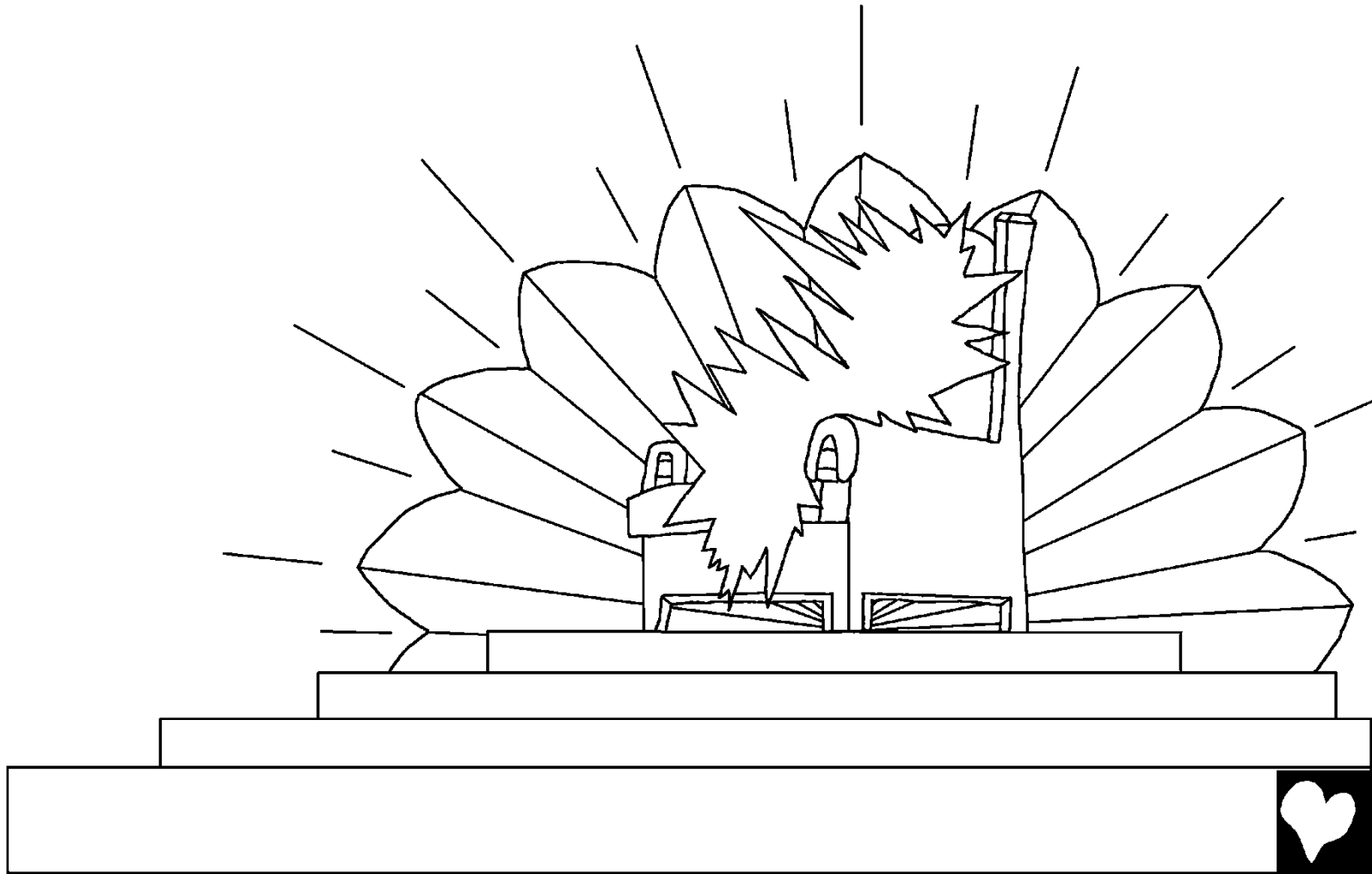
Khazing bia le Zisu kong ka
reinah rawng tah Patmos



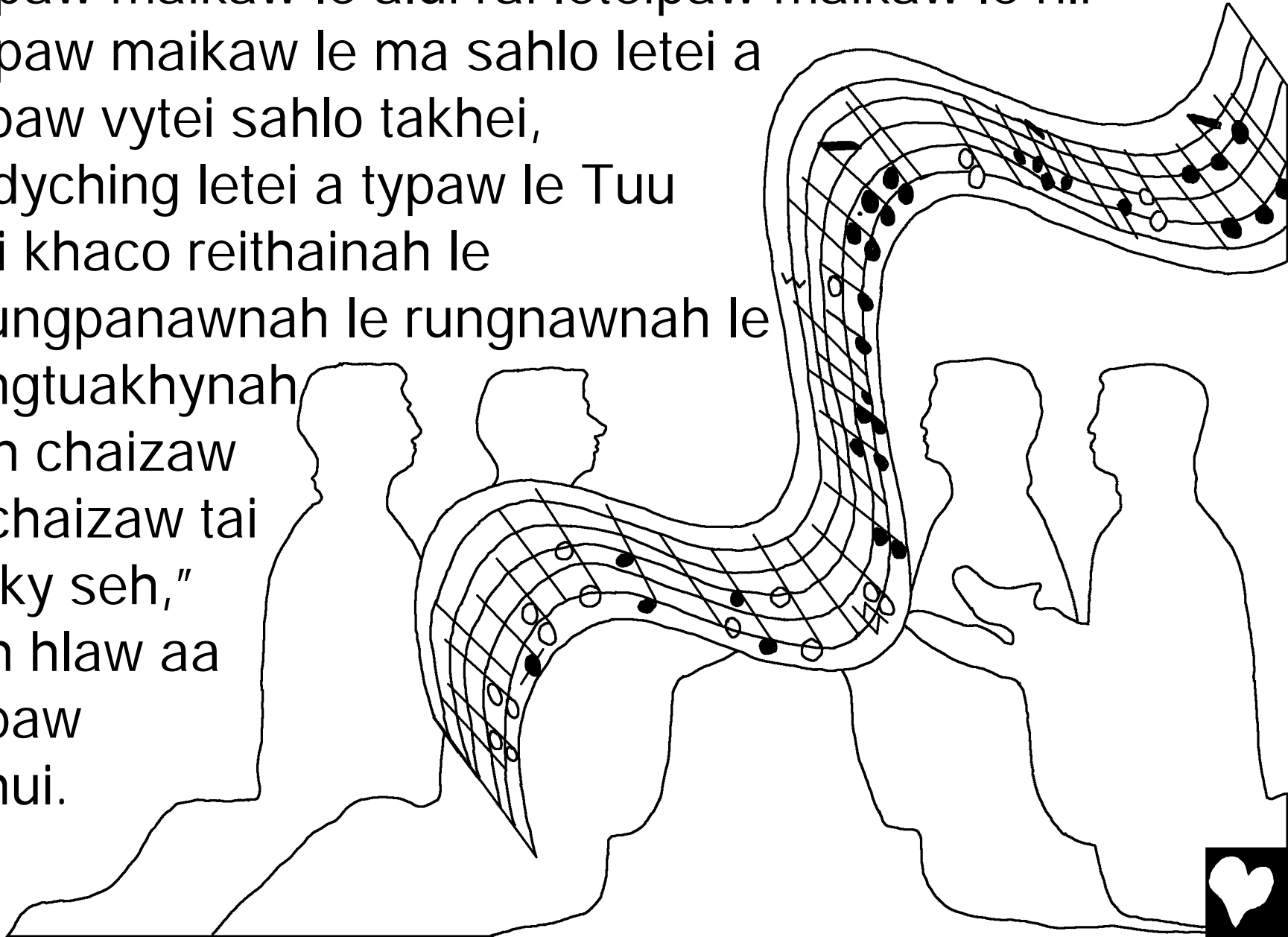
tuiraw lang kuapaw
ka cang.



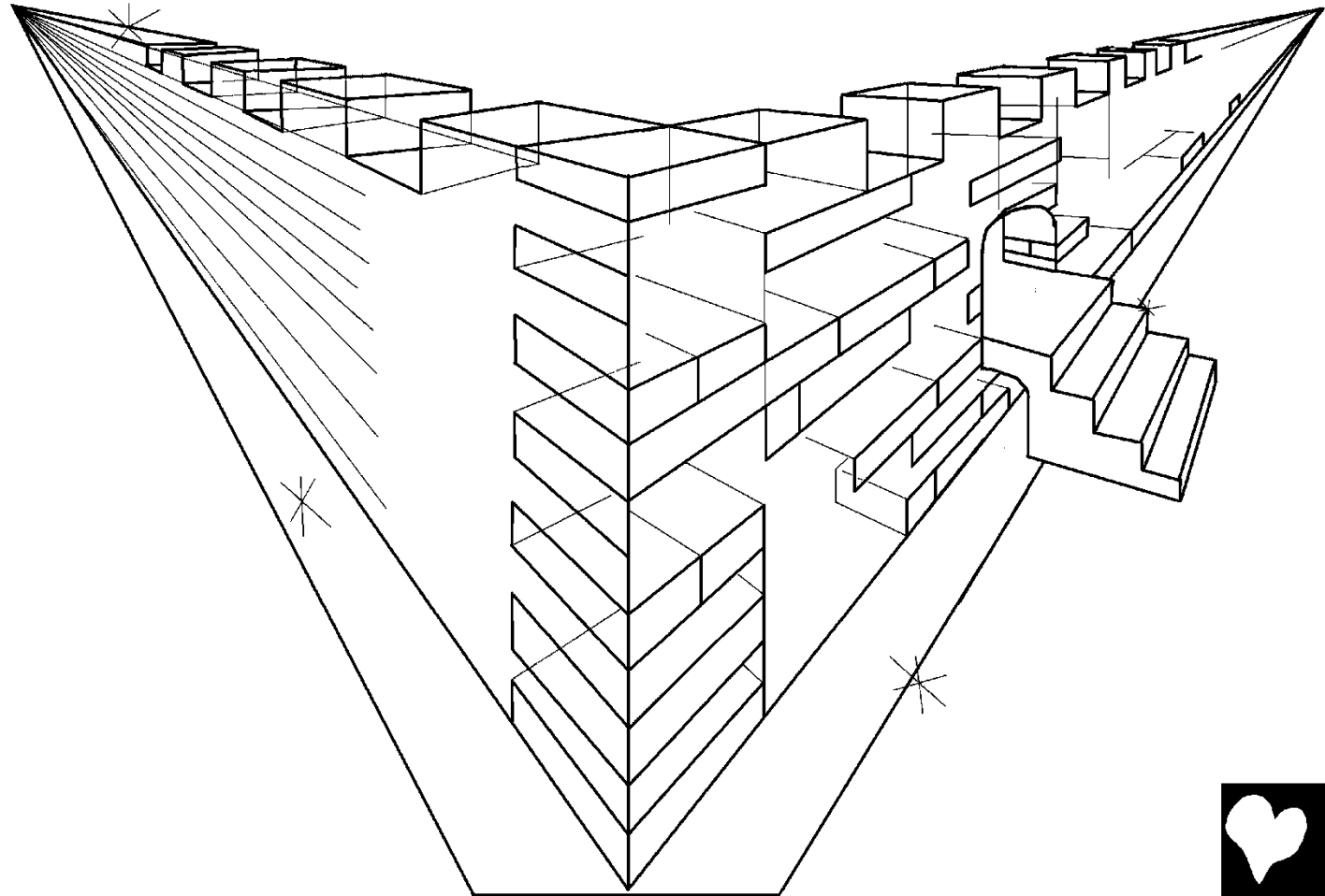
Sung sungkheh tah Thlawpaw tah va ung neh ka, taico
vaicung letaco abui dyching sangkheh cawh hmuh neh
ka, ma buidyching cung letaco pakheh a va ty.



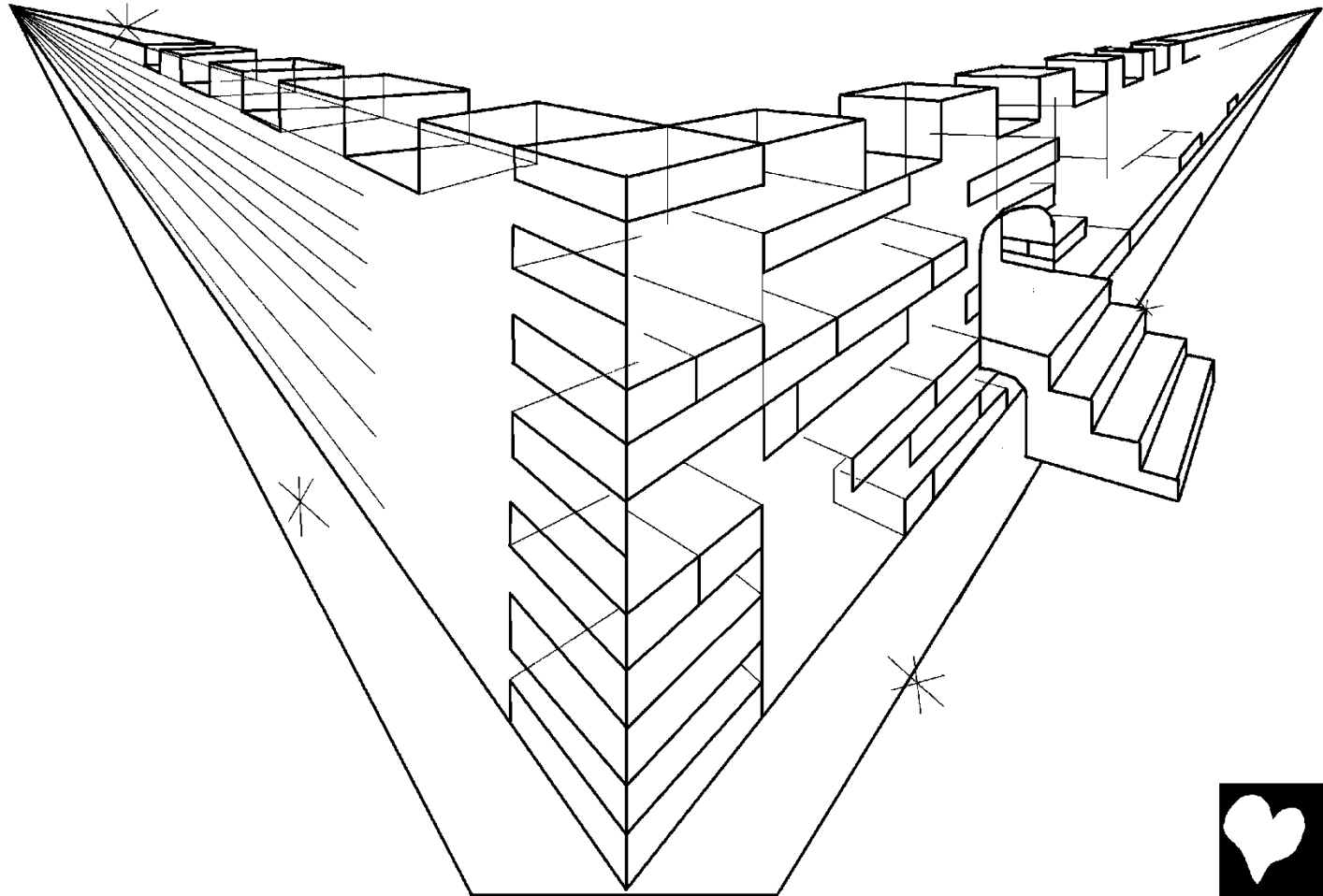
Mataico, vaicung letei a ungpaw tuapaw maikaw le alui
leteipaw maikaw le alui rai leteipaw maikaw le rili
leteipaw maikaw le ma sahlo letei a
ungpaw vytei sahlo takhei,
“Buidyching letei a typaw le Tuu
teitei khaco reithainah le
pasungpanawnah le rungnawnah le
hmingtuakhynah
cawh chaizaw
tah chaizaw tai
ung ky seh,”
tatah hlaw aa
sahpaw
ka thui.



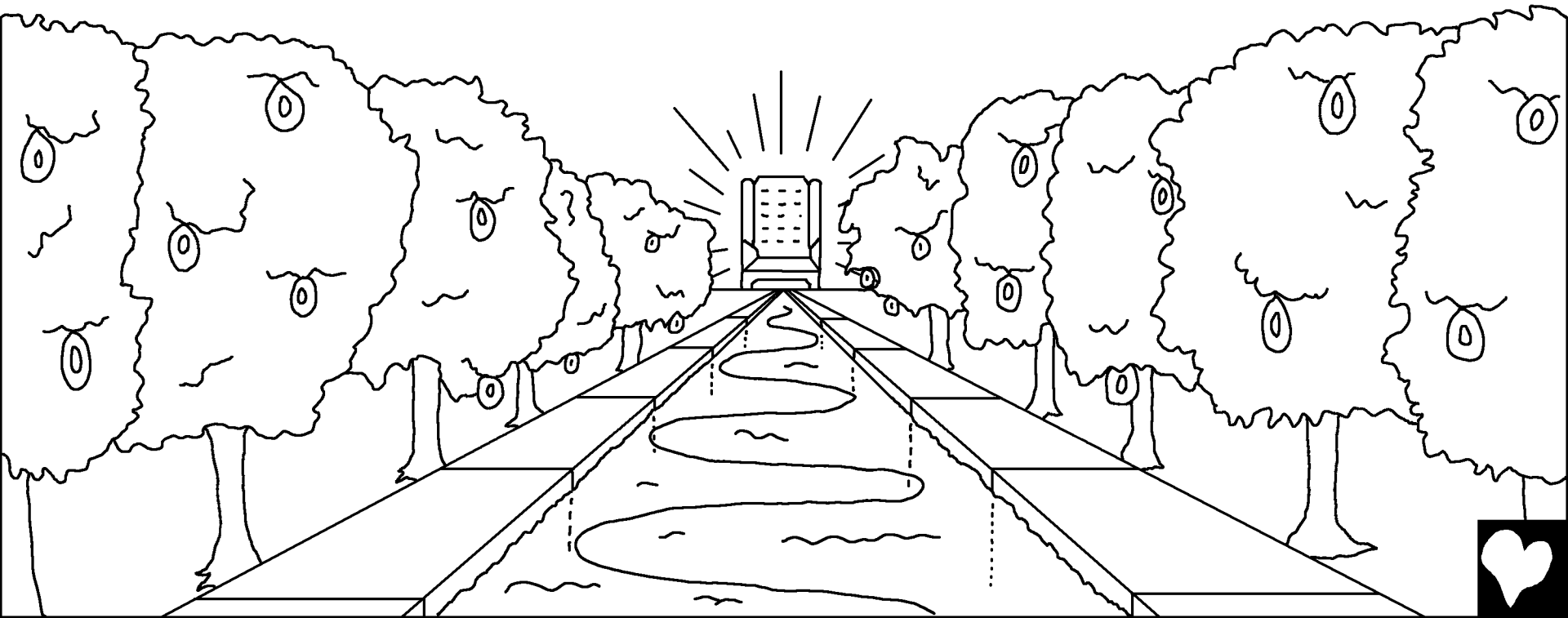
A pathaipaw khuapui, Jerusalem thapaw cawh a pasae a tong rua pawtei a chaichi a nge ngetei pawtei a pasangpaw laisawno hratah a pachia ka, Khazing taitah vaicung taitei a za cungpaw khah ka hmuh.



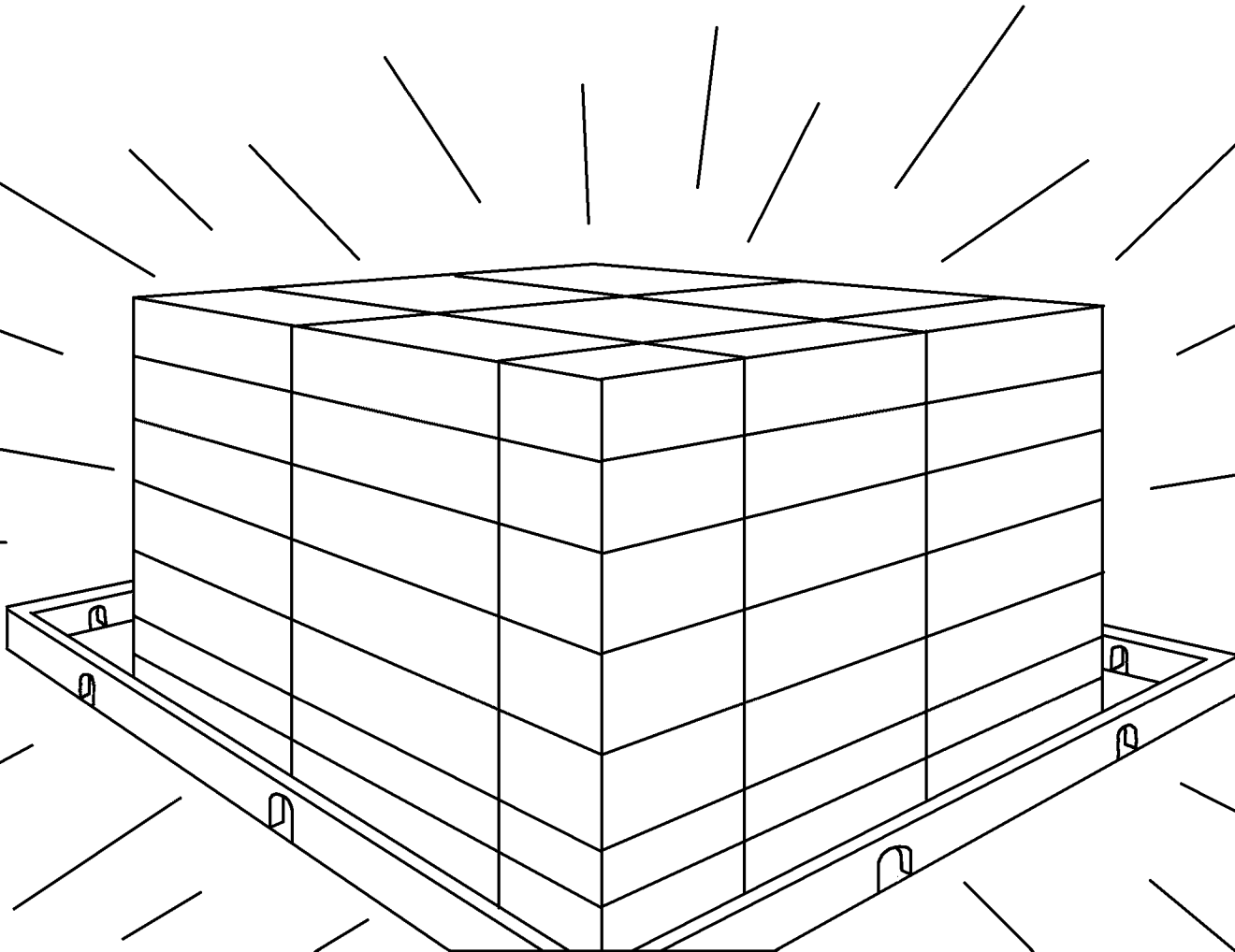
Taico buidyching taitah o a thangpaw pui thui neh ka,
"Atoheh cawh Khazing ungnah ing khah cawngsaw
khatah ung myca ka, Ama cawh aaning khatah a ung
myca a. Aaning sahlo cawh a cawngsaw cang
he ka, Khazing Ama hrahing cawh aaning khatah ung
ka, aa
Khazing a
cang a."



Taico, vaiming taco thlalang tluá tei pasing katei
hringnah a peipaw tui a laipaw tuivaw a pa hmusah. Ma
tuivaw cawh Khazing le Tuu teitei buidyching taikhei
khuapui langlaipui a lecingcing khei a za laipaw a cang.

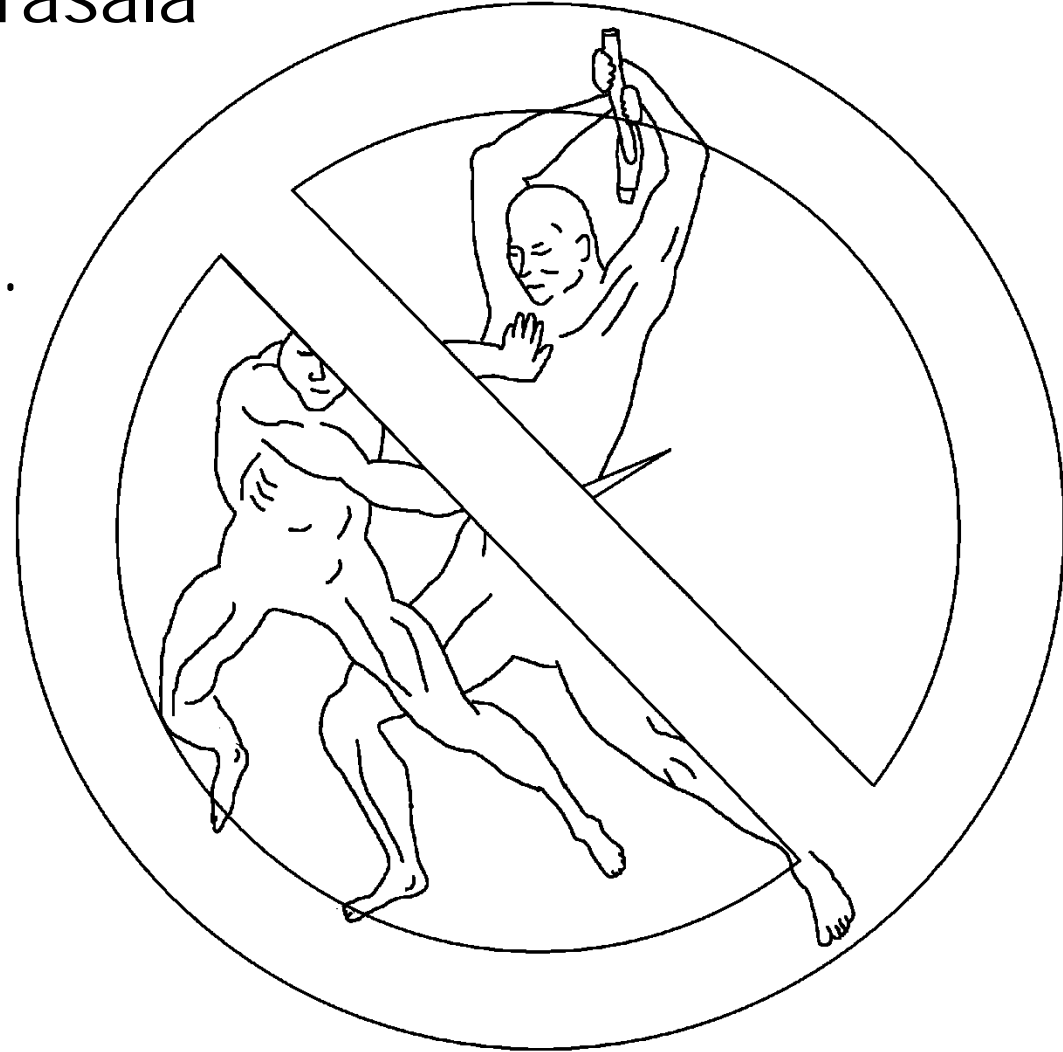


Khuapui taco, a cung letah a khai rua pawtah ning
khah hia be ca ka, thlawpaw zawng hia hrah beh,
zecawtamaw tatah, Khazing rungnawnah takhei
khaisah ka, Tuu teitei cawh a me-ing a cang.



A pathai lypaw zehmai a chunglang a nae be, ningzaw chuipaw a cang ly leh dungkhei a hmangpaw ahohmai a nae hrá bei he. Canghrasala

Tuu teitei hringnah cabu chung letei ming ciapaw sahlo suipaw a nae he a.



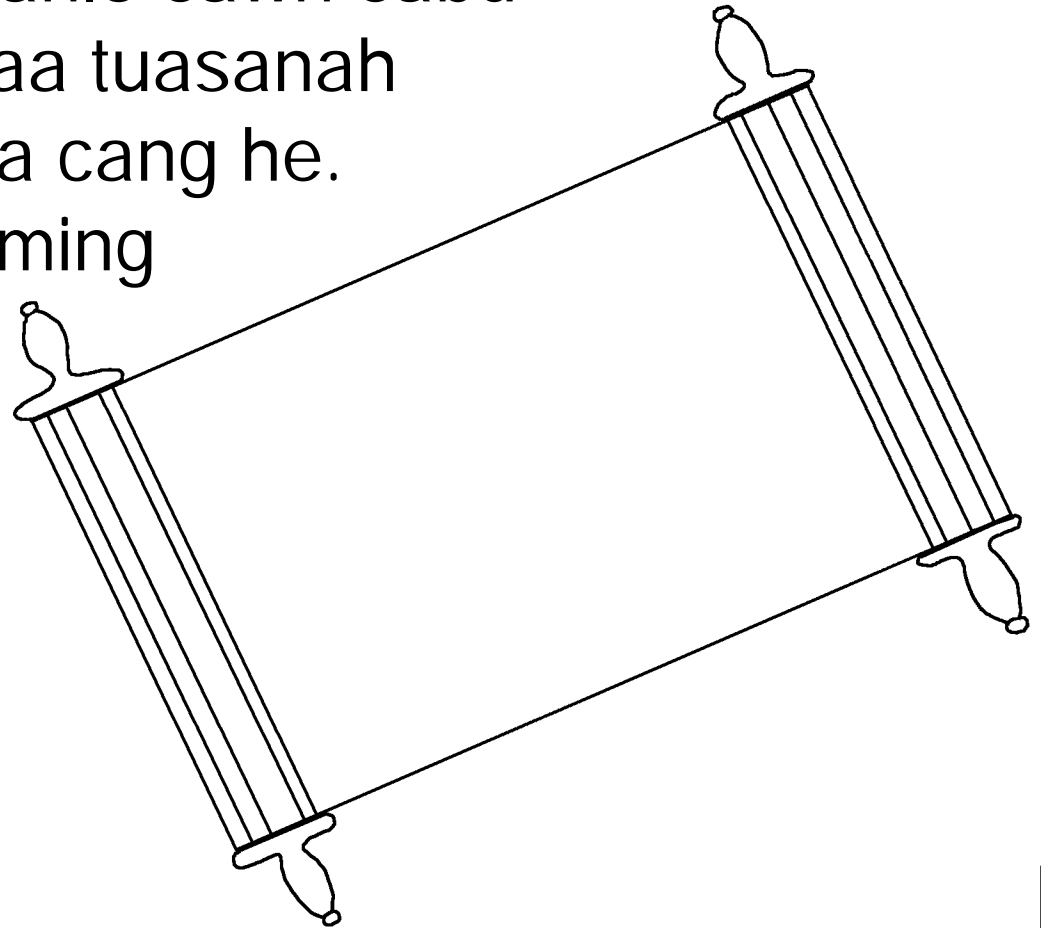
"Ama taco, aa meh letei mehthli khah a hrupah thlu he a. Thihnah le ngechianah le cawnah le asawnah ung khaw be, zecawtamaw tatah hming paringpaw sahlo cawh a ly myca he," tatah a tah.



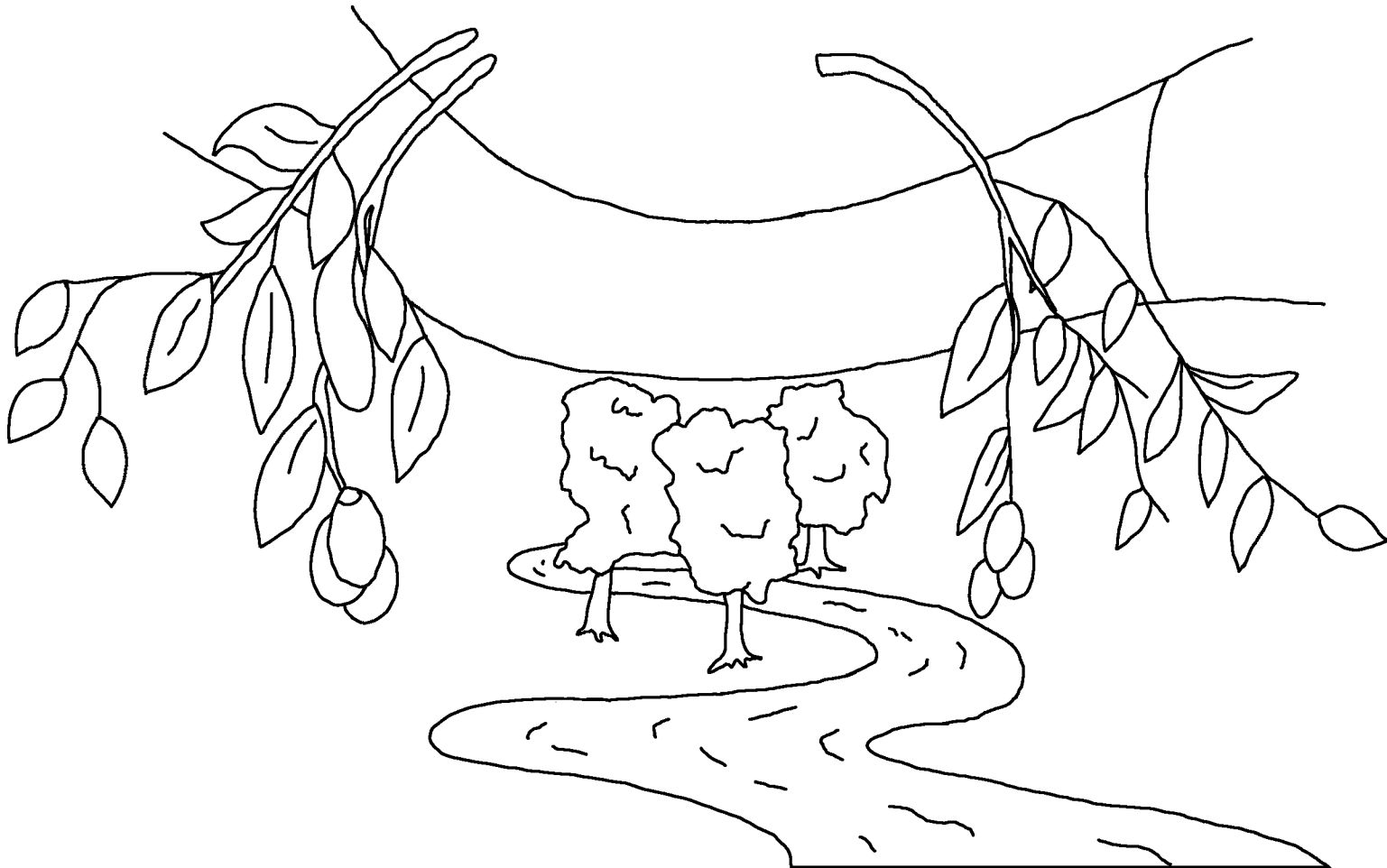
Ma leco chiasah ung khaw be. Khuapui leco Khazing
abui dyching le Tuu teitei buidyching ung ka, taico a
sae sahlo takhei Ama khah aa be a. Aaning sahlo taco
a hme hmuh a he ka, a ming cawh aa pangcarih
letah aa cia he a.



Taico mehthi vytei, meh lai mehchia, abui dyching hme letah a daw thlangpaw he hmuh neh ka, taico cabu sahlo cawh a pakai thlangpaw khah ka hmuh. Taico ahringpaw cabu khah pakai he ka, ma cawh hringnah cabu a cang. Mehthi sahlo cawh cabu sahlo letei khungpaw aa tuasanah naning khei biacepah a cang he. Hringnah cabu letei a ming hmuh lypaw maikaw cawh me tuiping lang thlah a cang he.



Thlawpaw le pasae hnui a zapaw laisawno taco, "A vong!" aa tah. Taico a thui paw taco, "A vong!" tah hrah seh. A tui a hraepaw maikaw cawh a vong he seh. A dupaw vytei taco a mai ly tei pehpaw hringnah tui heh a lah he seh.



Khazing tah khazaw heh a do
ngeteinah cawtah a Sawcapaw
hnuitlakangpaw khah a peh.
Ahohmai a zingpaw maikaw
cawh lyde lytah chaizaw
hringnah aa hnui a.



ROM 3:23 zecawtamaw tatah ming vytei cawh a suapaw longtei cang he peh ka, Khazing rungnawnah khah phah khy tlang bei peh.

ROM 6:23 Zecawtamaw tatah suanah mai cawh thihnah a cang. Canghrasala Khazing lahsong cawh kaa Buipaw Khri Zisu letah chaizaw hringnah a cang.

HEBRU 9:27 Mehnung cawtah uikheh thih a pawtah rawhpaw cang ka, ma khy taico biacenah a ung tae a.

EFESA 2:8,9 Zingnah thongtah ningdoná tah pachah naa cang he ceh. Ma cawh naaning taiteipaw cang be, Khazing lahsong a cang, tuasanah rawng tah cang be, macawtaco ahohmai a pachaw khy bei he.



ROM 10:9,10 Na kaw tah, "Zisu cawh Abuipaw a cang,"
tatah tah ceh ka, Khazing tah mehthi sahlo taitah a patho
tatah na lungchung tah na zing caco, pachah na cang a.
Zecawtamaw tatah kaa lungchung tah zing peh ka, thai
cangsah kaa cang he peh, kaa kaw tah rei peh ka, pachah
ka cang he peh.

JOHAN 3:16,17 Khazing tah khazaw heh a do ngeteina
cawtah a Sawcapaw hnuilakangpaw khah a peh. Ahohmai
a zingpaw maikaw cawh lyde lytah chaizaw hringnah aa
hnui a. Khazaw heh thaily cang sá pawtah Khazing tah a
Sawcapaw cawh a tawpaw cang be, Ama a thongtah
pachah aa cang khy nápawtah a tawpaw khah a cang hri.



1 JOHAN 5:11-13 Mataico, ma heh a dawkhuihah bia cawh a cang: Khazing tah kaaning cawh chaizaw hringnah ma pei thah ka, ma hringnah cawh a Sawcapaw chung letah a ung tahpaw heh. Khazing Sawcapaw a hnuipaw taco hringnah khah a hnui; Khazing Sawcapaw a hnui lypaw taco hringnah khah hnui be. Naaning Khazing Sawcapaw ming a zingpaw sahlo khatei ma hming sahlo kong ka tiapaw heh chaizaw hringnah naa hnui thah tah naa hni khy nápwatah a cang hi.



JOHAN 14; 2 KORIN 5; APALYNAH 4, 21, 22

Storyline by: Edward D. Hughes

Illustrated by: Lazarus
and Alastair Paterson

Adapted by: Sarah S.

Chin Zyphe NT (zyp) © 2017, Bible Society of Myanmar
and Wycliffe Bible Translators, Inc.

<https://live.bible.is/bible/ZYPWBT/MAT/1>

©2026 Bible for Children, Inc.

www.M1914.org

www.bibleforchildren.org

