

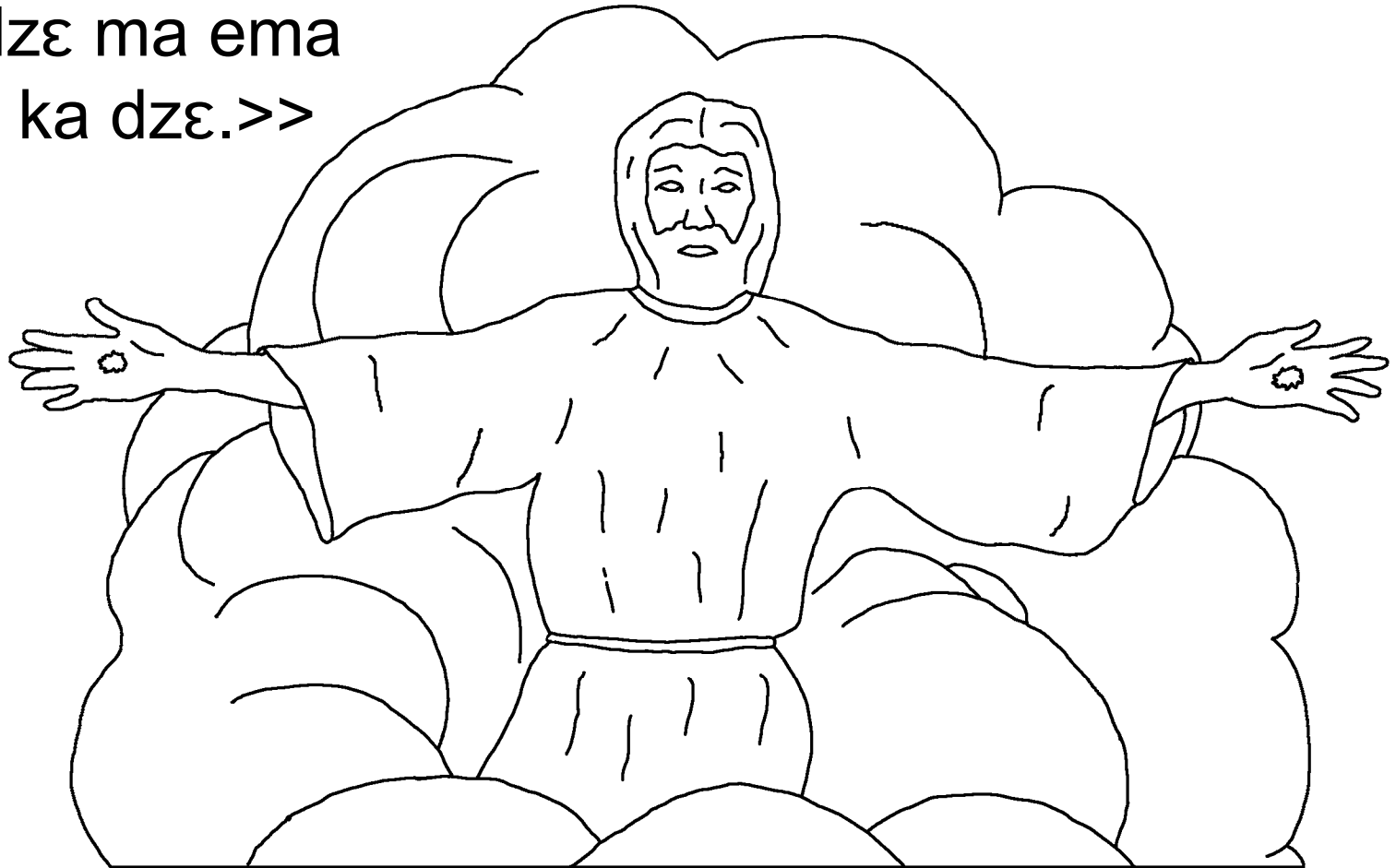
[www.BibleForChildren.org](http://www.BibleForChildren.org)



iJon 14



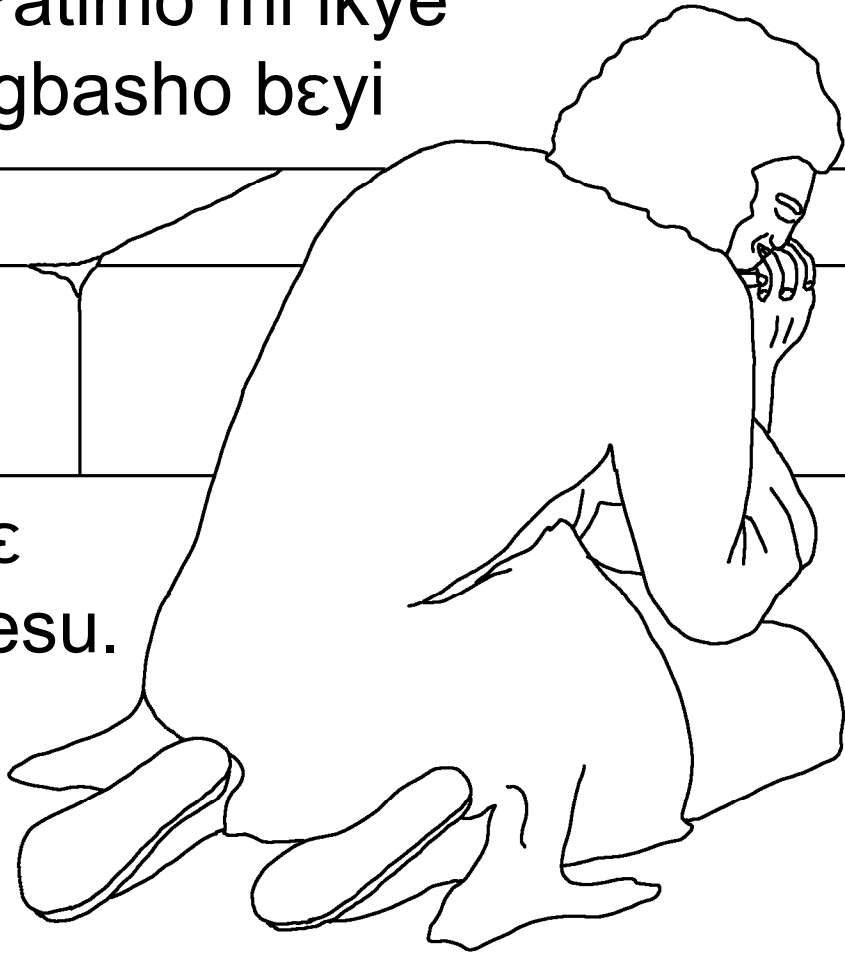
<<Ka nu itukwu kaka ema ewo ba. Nu Imgbasho  
oyeyε; di nu ani kpaα oyeyε na; Mi udε Otsen ozu  
kwuto; ki li ngha bayo, n ki nya ema. Ani le lu ele oka  
yile imbe mε ikye ema. Ni Ani ka yile imbe mε ikye ema  
yo, n ka ye wa gbe ema ka dze yi Ani adzi imbe ngwi  
Ani dze ma ema  
kpaα ka dze.>>



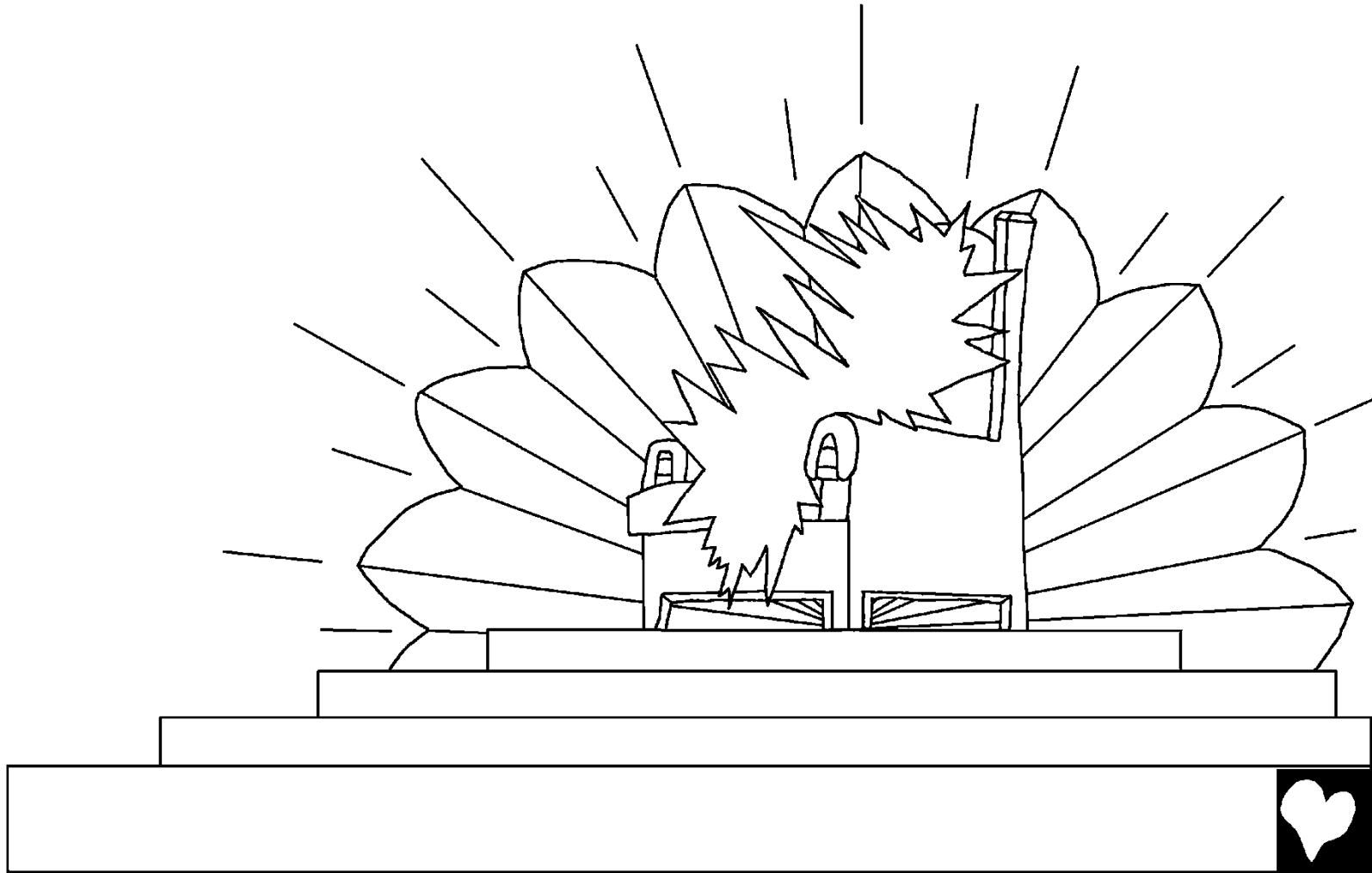
Ani, iJon, ongwunema yi ibuge mgbi ema mi adze  
ogyeegeye yi esuto mgbi okwonyotsɛ yi itukwu  
oshiishi mgbi eyi mbi iYesu, kedze ibu

ongwi iPatimo mi ikye  
elodzimgbasho beyi

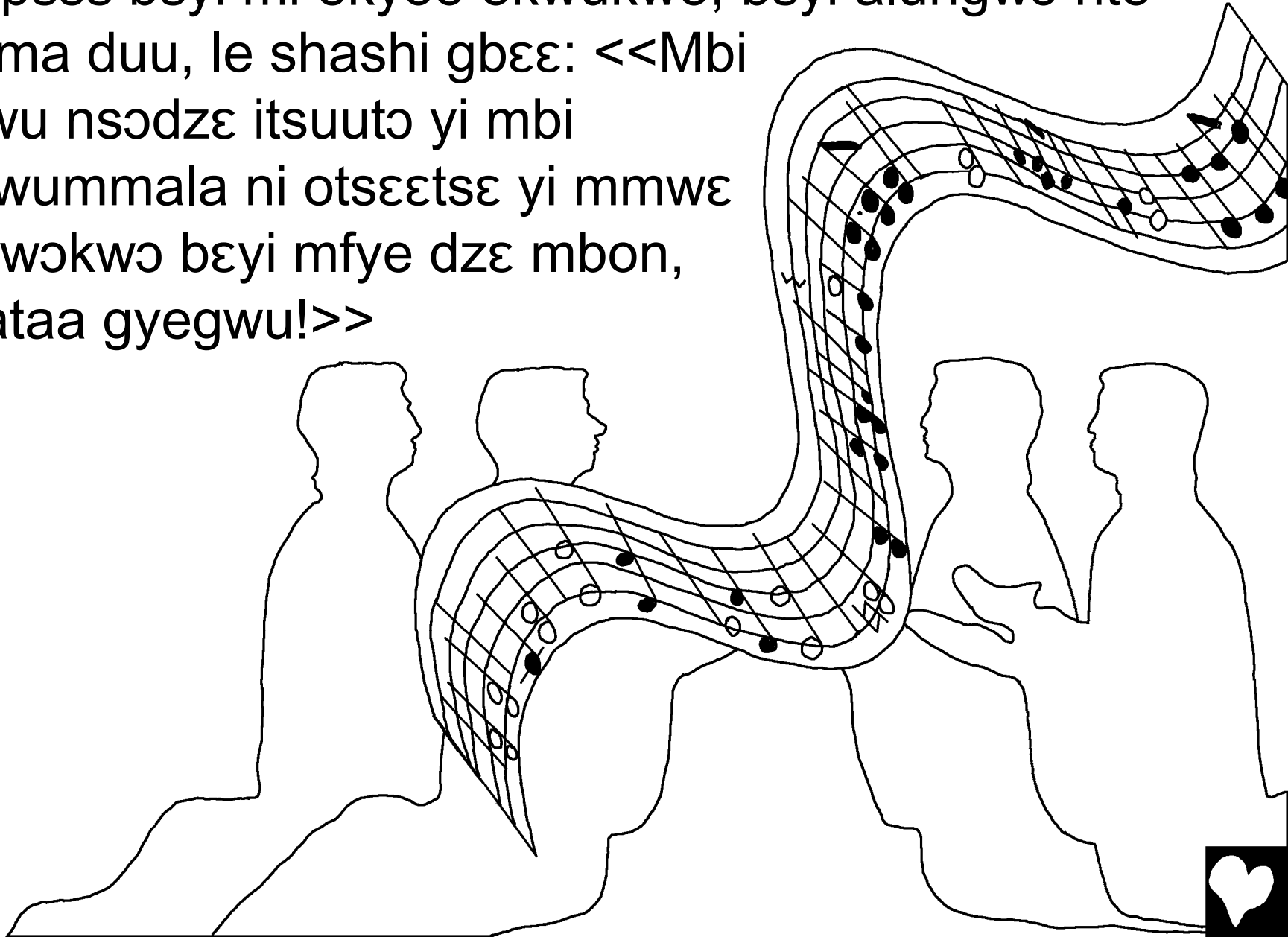
obwɛndɛ  
mgbi iYesu.



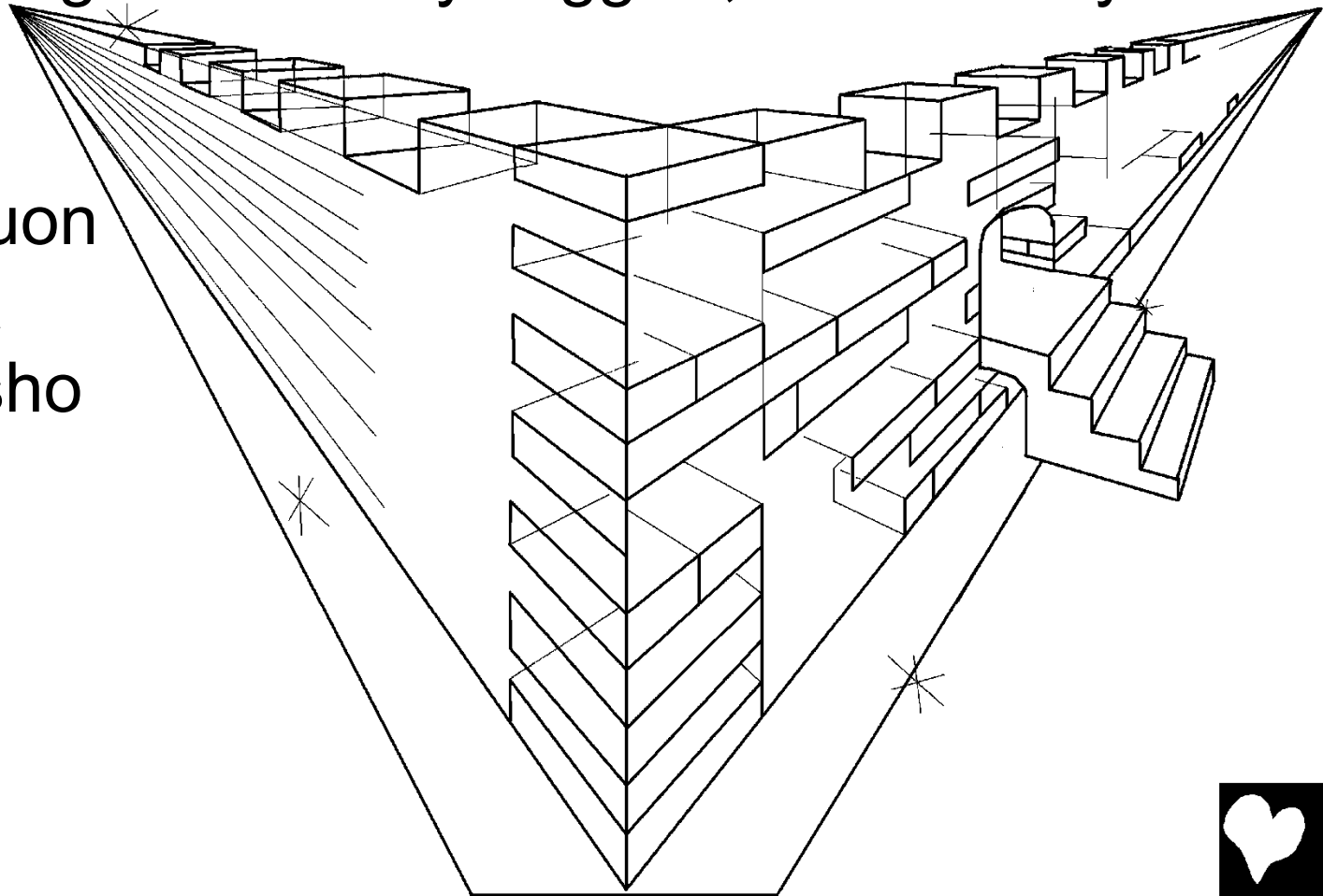
Labo mata ani dze mi Onodzi, man inggise sɔdze  
itsuuto mgbi Imgbasho wa dzeke ine mbi ani.



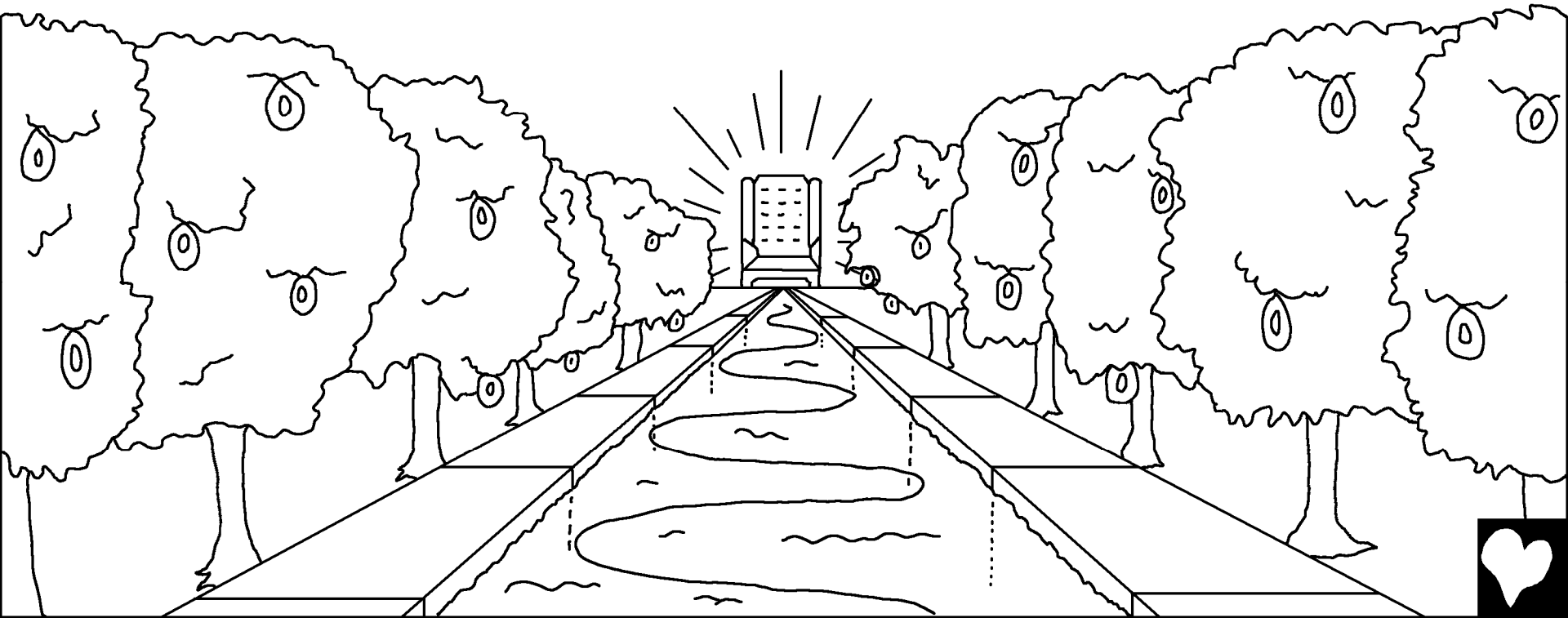
Ne ani fwo ali atta mi esho duu beyi mi εσε ne beyi  
mi ikpεε beyi mi ekyoo okwukwo, beyi alungwɔ nto  
mboma duu, le shashi gbεε: <<Mbi  
ongwu nsɔdze itsuuto yi mbi  
Ongwummala ni otseεtse yi mmwe  
yi okwɔkwɔ beyi mfyε dze mbon,  
nghataa gyegwu!>>



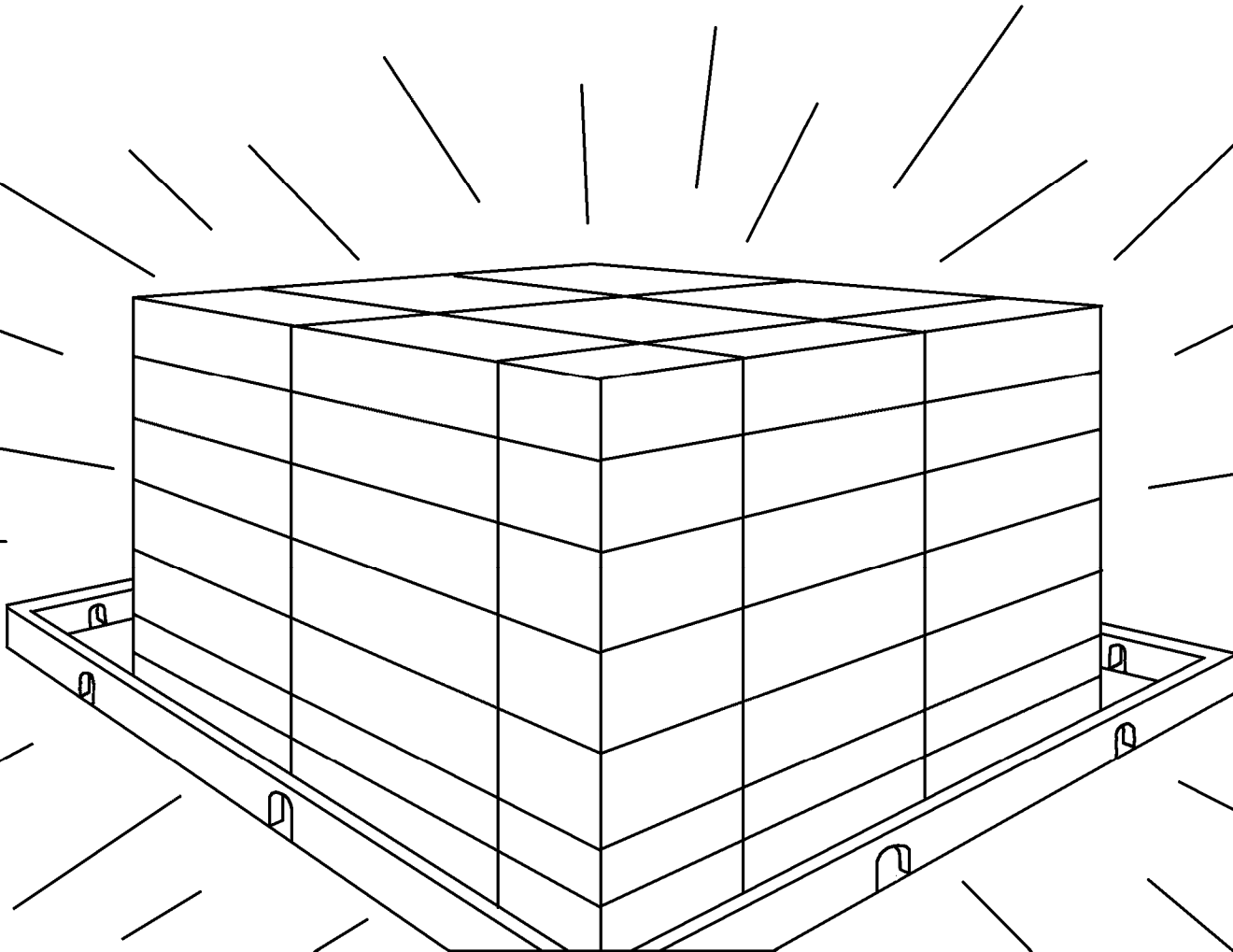
Ani di Ogalu Osaan, iJerosalin ofufe nani, to mbi Imgbasho kye esho le ba ese, a man dafi ongyaa ofufe ngwu meewo sunse saan mi ikye oban mani. Man ani fwo ela okwukwo kye mi itsuuto na gbee, <<Onene ososo mgbi Imgbasho dze yi inggise, o dika dze yi ama. A ka li emidan, Imgbasho abuan ka dze yi ama dika li Imgbasho mgbi ama.>>



Ne ongyeso ma tso ani ekyoo mgbi eni oshishe, gbosa dafi idzinggi mani, le fe kye mi itsuuto mgbi Imgbasho beyi mgbi Ongwummala nye lu idzidze angbodzi ingofe mgbi ogalu nani.



Ogalu na mina onɔ naadi ofyia gbεε no tse hona fyia  
mi ele ba, lubana okwɔkwɔ mgbi Imgbasho li nun osa,  
Ongwummala di li ipitila mgban.



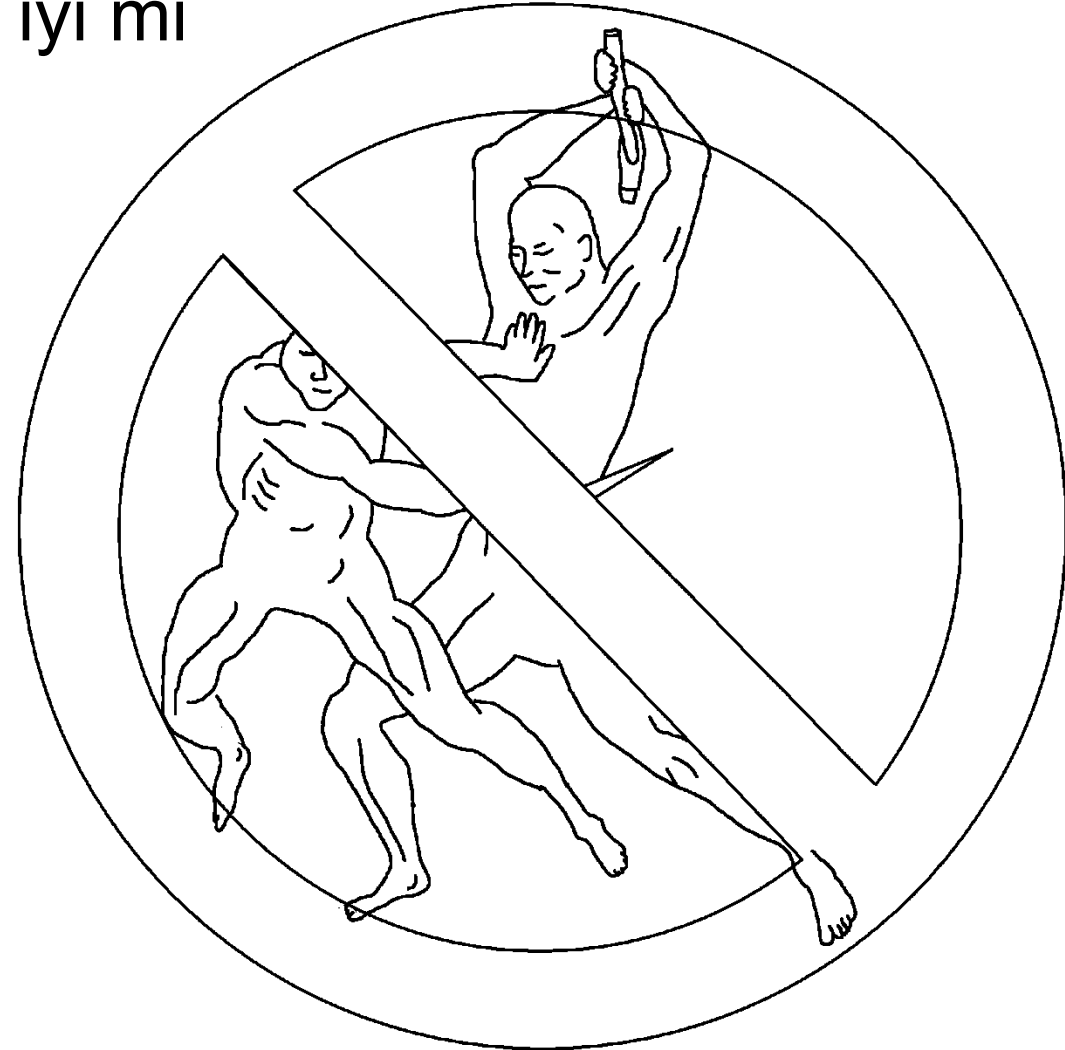
Akponyi kpa a ungw a okpekpe ka kaka ele naadi  
inggise nkyungw a ayiwi hona ungw a onya ba.

Nghaduu li ama a lo ma iyi mi

afe oshishe mgbi

Ongwummala ma

ta ka kaka ele.



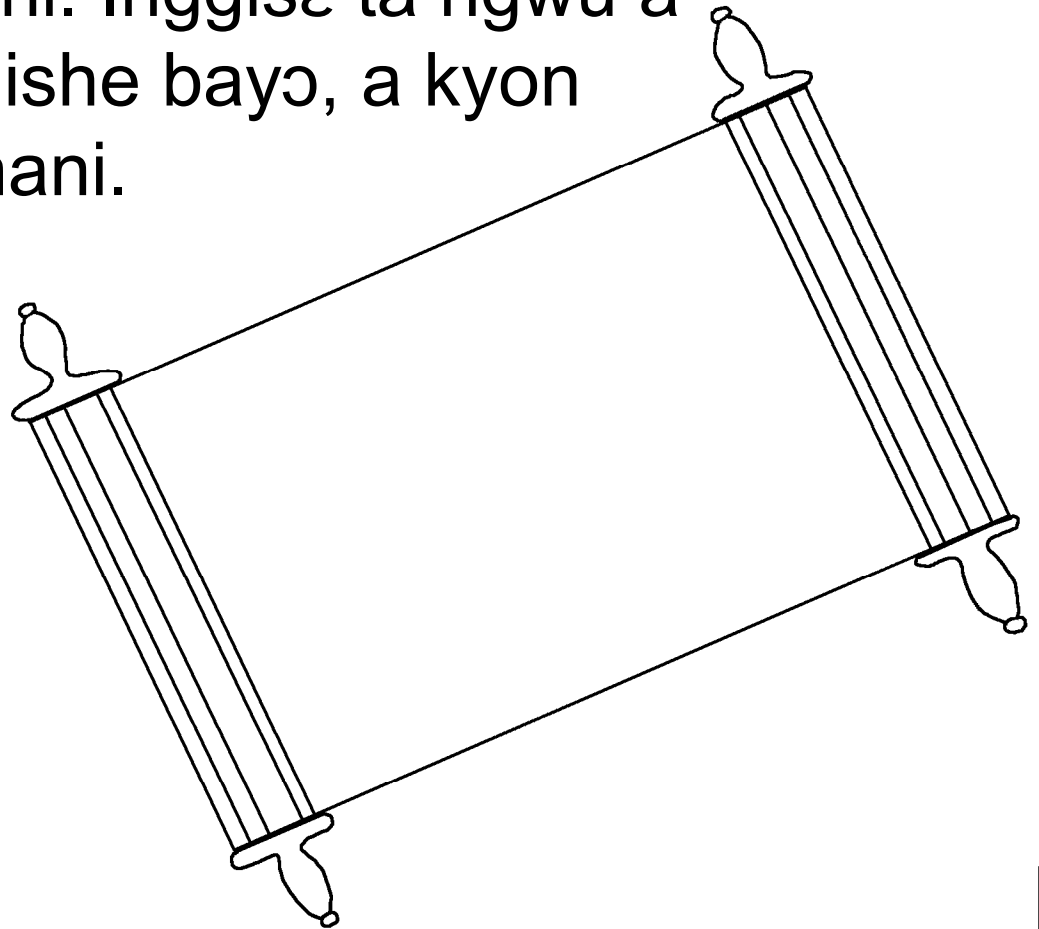
<<O ka kyi fwolu ma etse mi inε  
duu. Ikwongye ka dzεma wuba  
naadi elela okyɔɔkyɔ hona akwɔ  
omaama naadi owulu-wulu,  
ikyesinε ungwɔ ama ogbugbe  
nyε wa.>>



Ikamba onyi ka dze ogalu na wuba. Itsuuto  
mgbi Imgbasho beyi Ongwummala ka dze mi  
ogalu nani, engbido mgban dika sunun. A ka di  
ine mgban, ma iyi mgban ka do ebeshu mgbi  
ama.



Ani di di emi ikwukwɔ, ama nshewo bɛyi ama  
ogyɛngyɛ, kwudzɛ to inai itsuuto nani, ta a si kwulu  
afɛ kwuba. A kwulu afɛ oka, nli afɛ mgbi oshishe nani.  
A gbɔ emi ikwukwɔ ikwɔ mi ungwɔ ngwi a kyɔ ngwi a  
di lɔn mi afɛ ntona mani. Inggisɛ ta ngwu a  
lɔn iyi mi afɛ mgbi oshishe bayɔ, a kyon  
ngwuta wokɛ utɔ ola nani.



Onodzi bεyi ongyaa ofufe gbεε, <<Kwa!>> Ma ali  
inggisε nfwo odzε nε no gbεε, <<Kwa!>> Ali inggisε  
ngwu ekweni dɔn, no ba; inggisε ndi mina, no gbε  
umba mgbi eni oshishe ayayi.



Lubana Imgbasho di εσε νε kpan  
itukwu jo o kye Ongwan onyi kpokpo  
nu, gbεε ali inggise nnun oyεyε ta no  
ka dzili ba, kpaα no tu oshishe  
igyegwu.



Emi iRoma 3:23

lubana inggise duu kyo obube di dzitsi mi  
okwɔkwɔ mgbi Imgbasho,

Emi iRoma 6:23

Lubana mkpa alobube li ikwongye, kpaa umba mgbi  
Imgbasho li oshishe ogyegwu mbi iKrestu iYesu  
Otsɛ mgbi eyi.

Emi iHibru 9:27

Dafi a kye dze gbɛɛ inggise ka kwulu akponyi  
ta a ka gbɔn ikwɔ nɛ,



Emi Efesu 2:8,9

Lubana li mi elela ngwi a nu ema wato, ikpewo oyeyε onuunu, li mi ido mgbi ema abuema ba, li umba mgbi Imgbasho. Li mi ido okyoko kyoko ba, nghane inggise onyi no ka tsaabo igεge ba.

Emi iRoma 10:9,10

Kini abu gbo mi ondu mgbi abu gbεε, <<IYesu li Otsε,>> di noyeyε mi itukwu mgbi abu gbεε Imgbasho kyilen mbi emi ikwukwo ya, o ka wato. Lubana li mi oyeyε onuunu mgbi ema mi itukwu ngwi ema gye emyemyε, di li obwendε ngwi ema kyoko mi ondu mgbi ema ma, ngwi a dulu ema wato aali.



iJón 3:16,17

<<Lubana Imgbasho di εσε νε kpan itukwu jo o kye Ongwan onyi kpokpo nu, gbεε ali inggise nnun oyεye ta no ka dzili ba, kpa a no tu oshishe igyegwu. Bana Imgbasho dɔ Ongwan esɔ ba εσε ikye owa fwo εσε ikwɔ nun obube ba, kpa a li ikye ni εσε wato ikpewon.

1 iJón 5:11-13

Di li obwεnde ma aani: Imgbasho kye oshishe igyegwu nu eyi, ma oshishe νε li mbi Ongwan. Inggise ndze yi Ongwe Imgbasho dze yi oshishe; kpa a ongwu ndze yi Ongwe na ba dze yi oshishe ba. Ani lo ungwɔ ntonε ke mbi ema ama nnoyεye mi iyi mgbi Ongwe Imgbasho ma adzi ni ema ye gbεε ema dze yi oshishe ogyegwu mani.



iJon 14; 2 Emi iKorinti 5; Iba 4, 21, 22

Storyline by: Edward D. Hughes

Illustrated by: Lazarus  
and Alastair Paterson

Adapted by: Sarah S.

Etulo NT (utr) ©2024 Initiative for the Translation and  
Development of African Languages

<https://www.bible.com/bible/4113/MAT.1>

©2026 Bible for Children, Inc.

[www.M1914.org](http://www.M1914.org)

[www.bibleforchildren.org](http://www.bibleforchildren.org)

