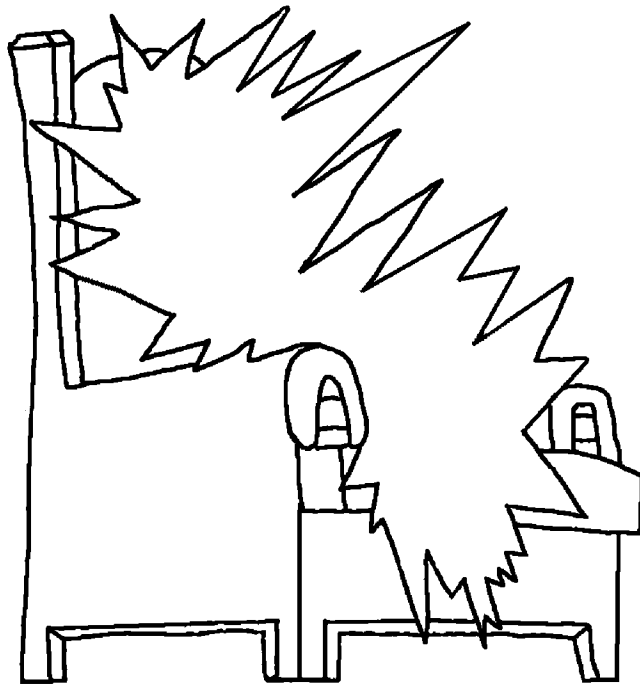


[www.BibleForChildren.org](http://www.BibleForChildren.org)



# Yohanes 14



Yesus nfalak ne, "Deka ralabira kako'u. Myorang Ubu, ovu myorang vali Ya'a. Wan rivun na'a Yamang Ni Rahan a. Uti inveli, boma ususan wan verin mia. Wean i wol wean inyai, na ufalak roak verin mia."



"Ya'a uti ma ususan wabira munuk, beti ewal Ya'a ma ala mia ma tati wang i una'a, boma wean i una'a inyai, na mia mnya'a vali inyai."



Ya'a ini Yohanes, terabir-valibira ya'a, tevek itmunuk torang Yesus Kristus. Tamata ra rwi-rwa ita tevek torang Ia, ovu tna'a roak Ni Fareta a, ovu

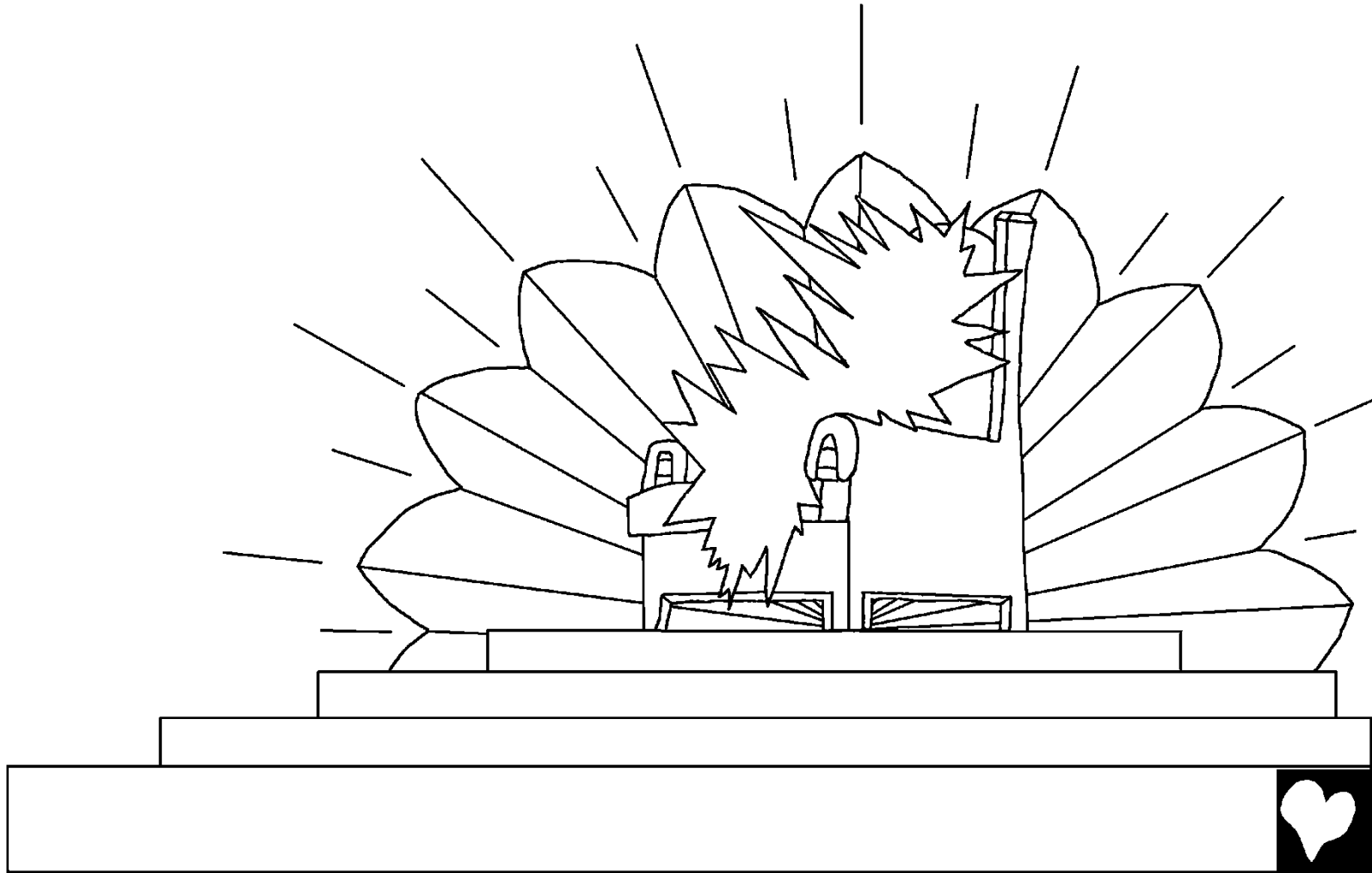
vali tatahang raladida watan.  
Rvatuk ya'a ma uti una'a



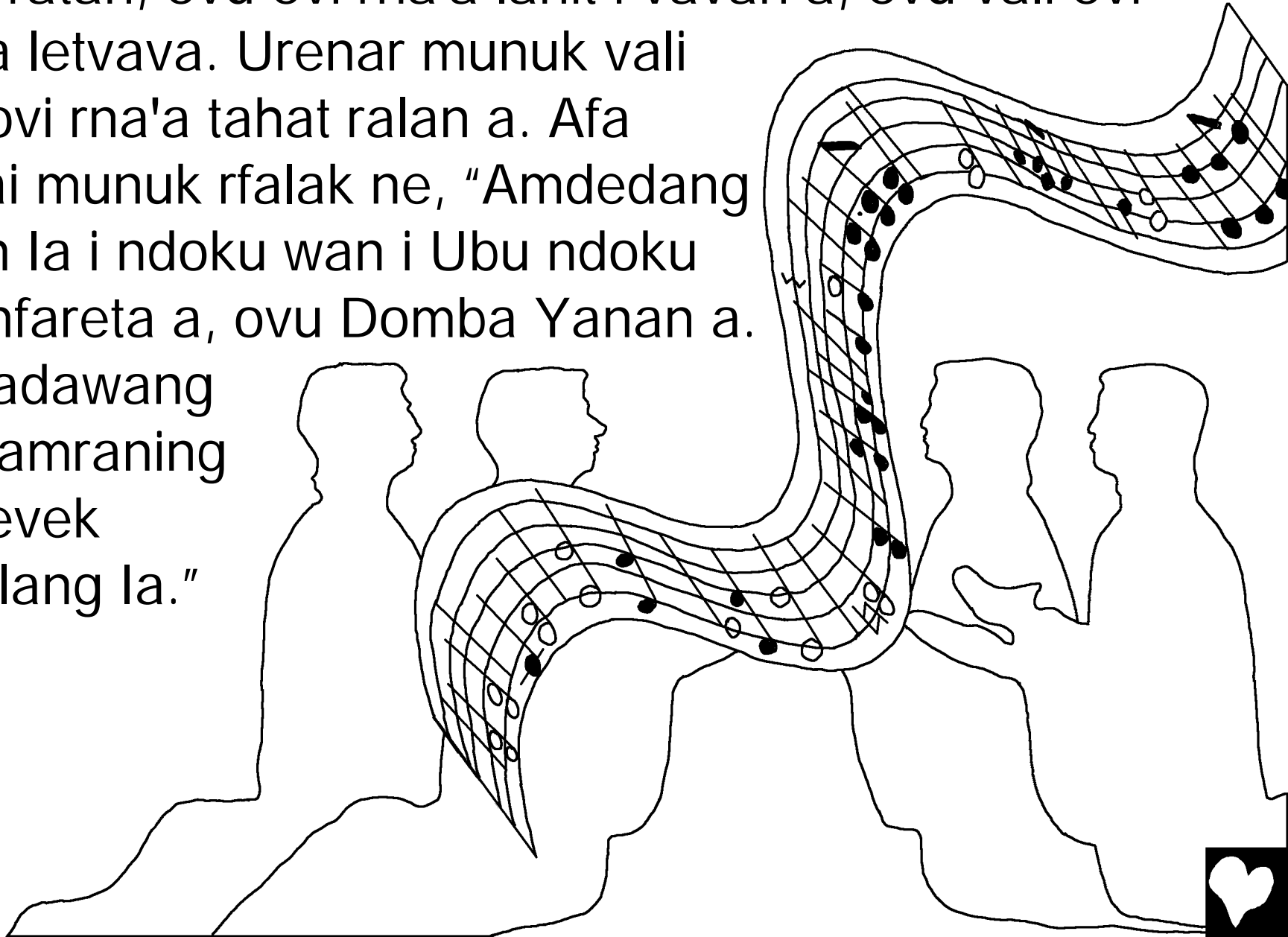
nuhu isa naran  
Patmos, tevek  
ufamalik Ubu  
Ni vaivatul ra, ovu  
ufamalik Yesus.



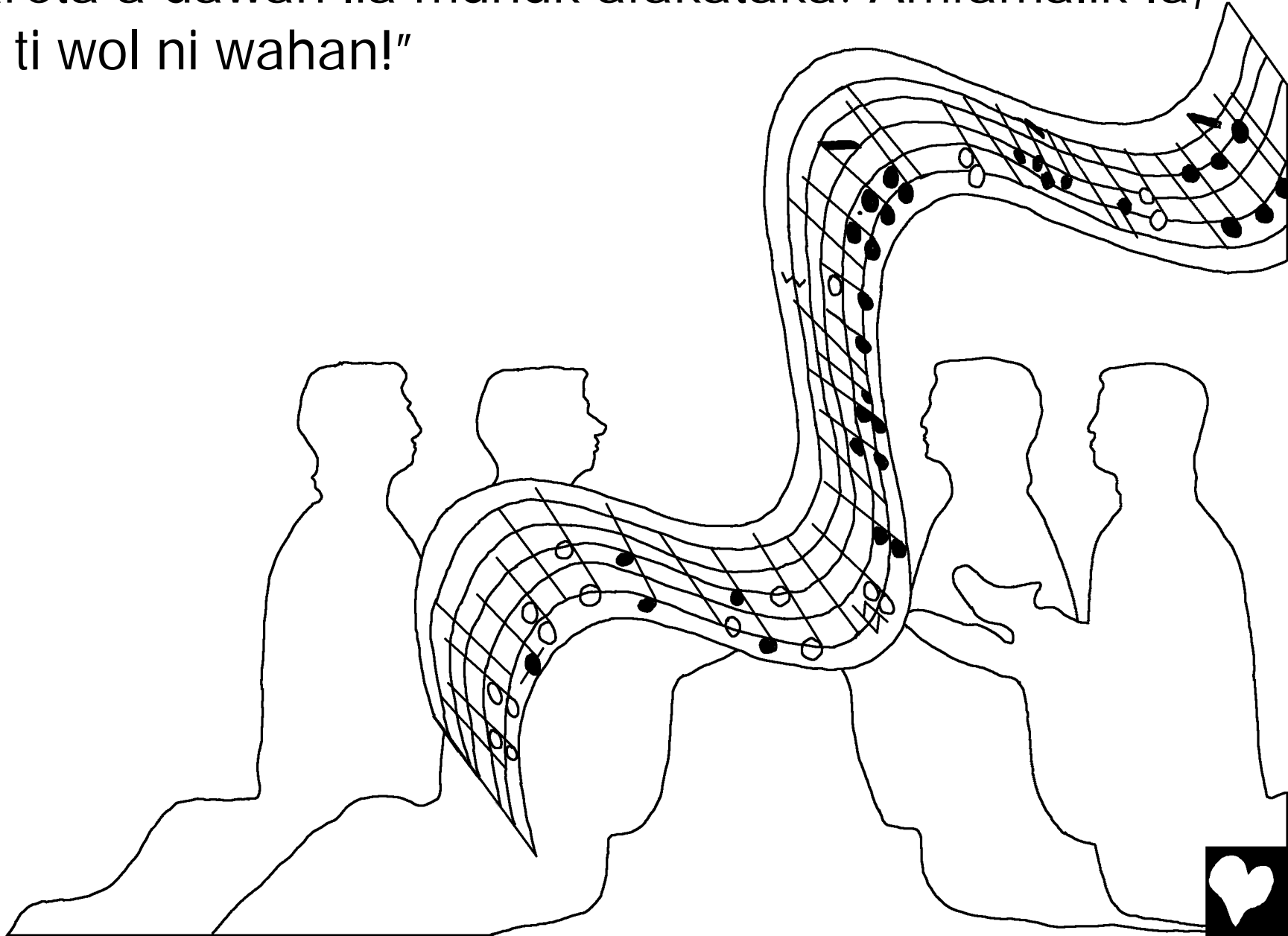
Amar yai vali, na Ubu Ni Roh a nfareta ya'a, ma usi'ik vali na'a lanit ratan, na Tamata isa ndoku wan i Ubu ndoku ma nfareta a.



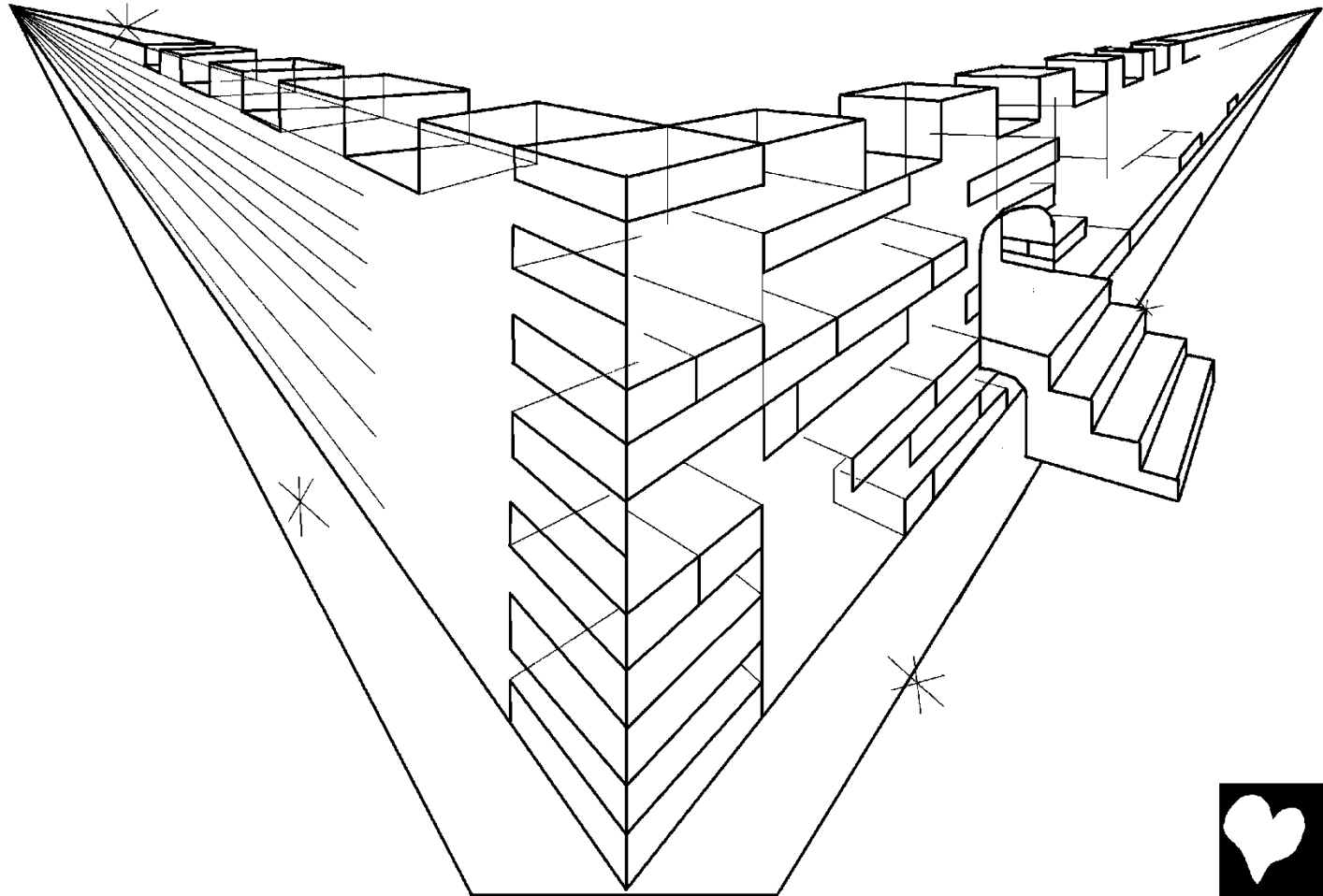
Ya'a urenar munuk tamata ra oву afa ovi rva'at na'a  
lanit ratan, oву ovi rna'a lanit i vavan a, oву vali ovi  
rna'a letvava. Urenar munuk vali  
afa ovi rna'a tahat ralan a. Afa  
avyai munuk rfalak ne, "Amdedang  
verin la i ndoku wan i Ubu ndoku  
ma nfareta a, oву Domba Yanan a.  
Amfadawang  
ovu amraning  
la, tevek  
amalang la."



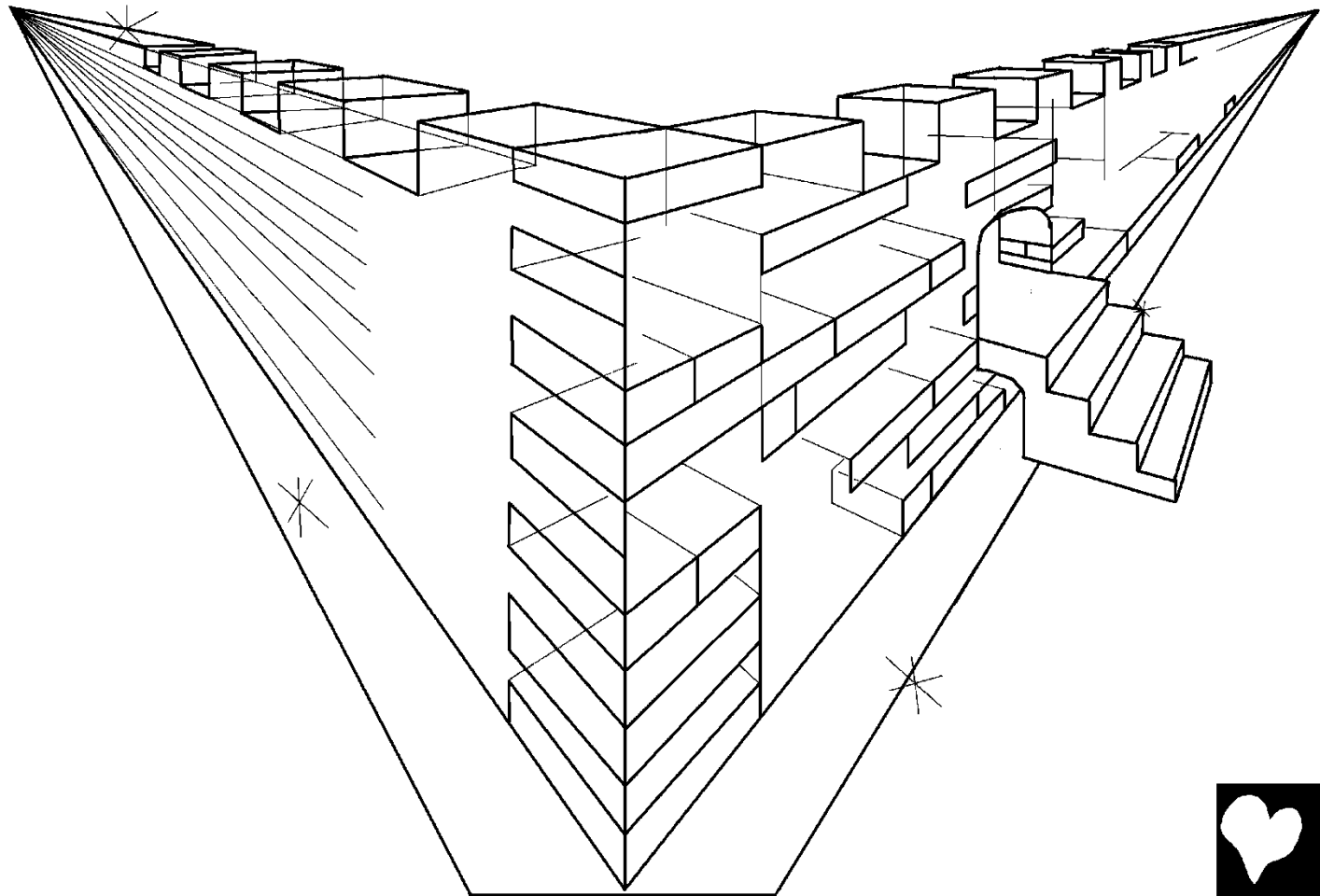
“Amfakaratat Ia, tevek Ni dawan a rahi lia munuk ovu  
Ni fareta a dawan lia munuk afakataka. Amfamalik Ia,  
nata ti wol ni wahan!”



Ba usi'ik kota i nmerat urun ma rfanara ia ne,  
Yerusalem ngorva'an, nsuta tali lanit ratan. Kota yai  
ntali Ubu ma lolin buas ma wean vata i rung a reluk  
roak ia ovu ravit lolin, tevek ni brana mane nma roak.  
Urenar vali vai dawan isa ntali wan i Ubu ndoku ma  
nfareta a  
nma.



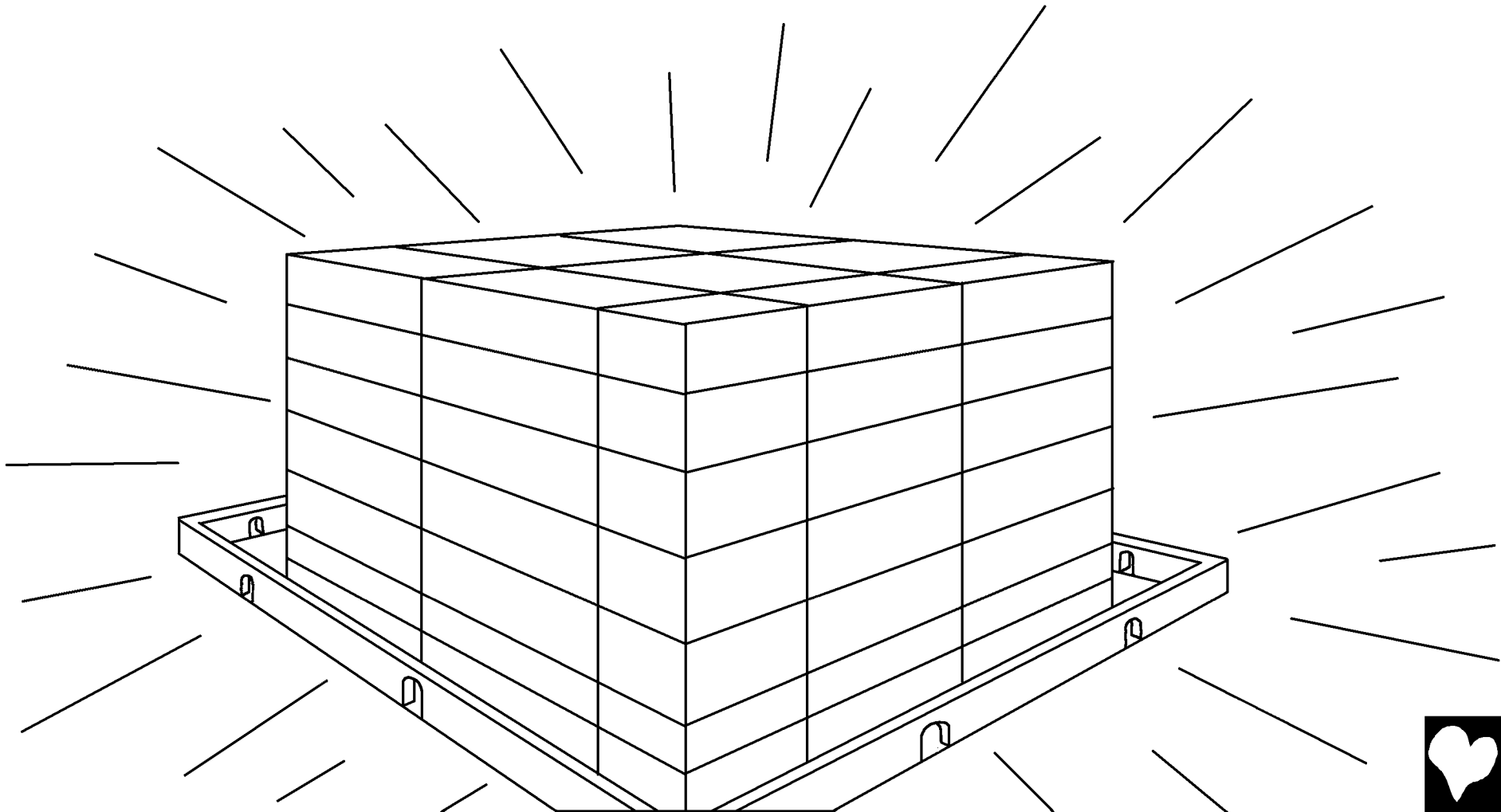
Vai yai nfallak ne, "Fiang ini, Ubu wan i nleal a nana'a roak wan i Ni tamata ra rleal a, ba la nana'a ovu ira. Ira rsoak ma rfadawang a'uk Ubu, tevek rira Duila'a verin la."



Nata Ubu Ni sansinir tali lanit ratan yai nfaturu vali verin ya'a na'a oar i ngarlina ma wean tatal ma nyadat. Wear na'a oar yai nvua vava'at. Wear yai nava tali Ubu ovu Domba Yanan wan i rdoku ma rfareta yai nma.

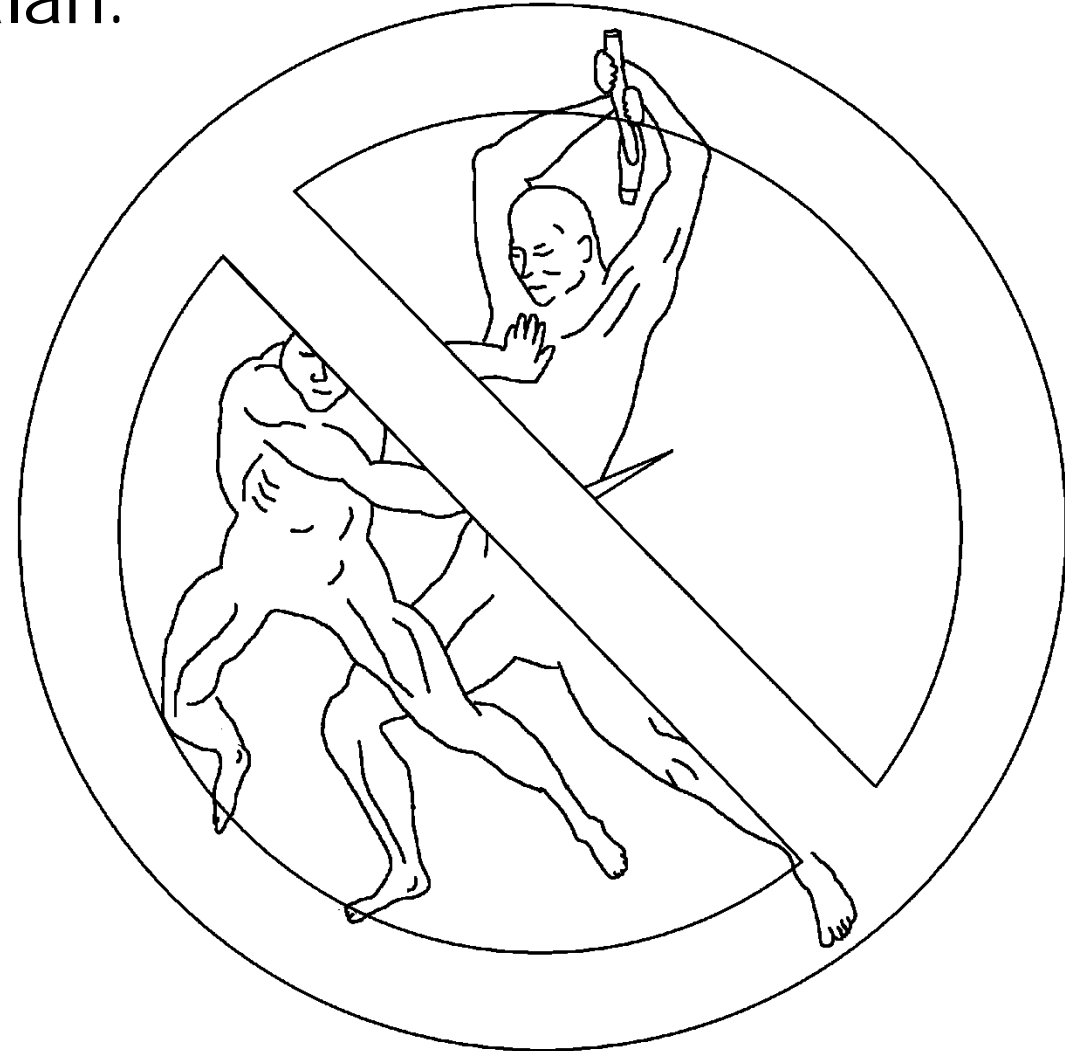


Kota yai wol nperlu ma lera ovu vulan nyeba ia, tevek Ubu vanan i nfitik nyadat a ma felan a lolin urun, ntal ma lyawan roak. Domba Yanan nyeba vali ma wean damar.



Na'uk afa sian ra wol bis lahir ma rti kota yai ralan a.  
Tamata ovi rotu a'uk afa ro'i-ra'i ra, ovu tamata ovi  
rsiklabir ra wol rti nala ralan.

Tamata ovi Ubu ntulis  
roak nararira ra na'a Ni  
buku i rfanara ia ne,  
Buku Vava'at Kakiwal  
a, ira watan sa'i rti  
kota yai ralan a.



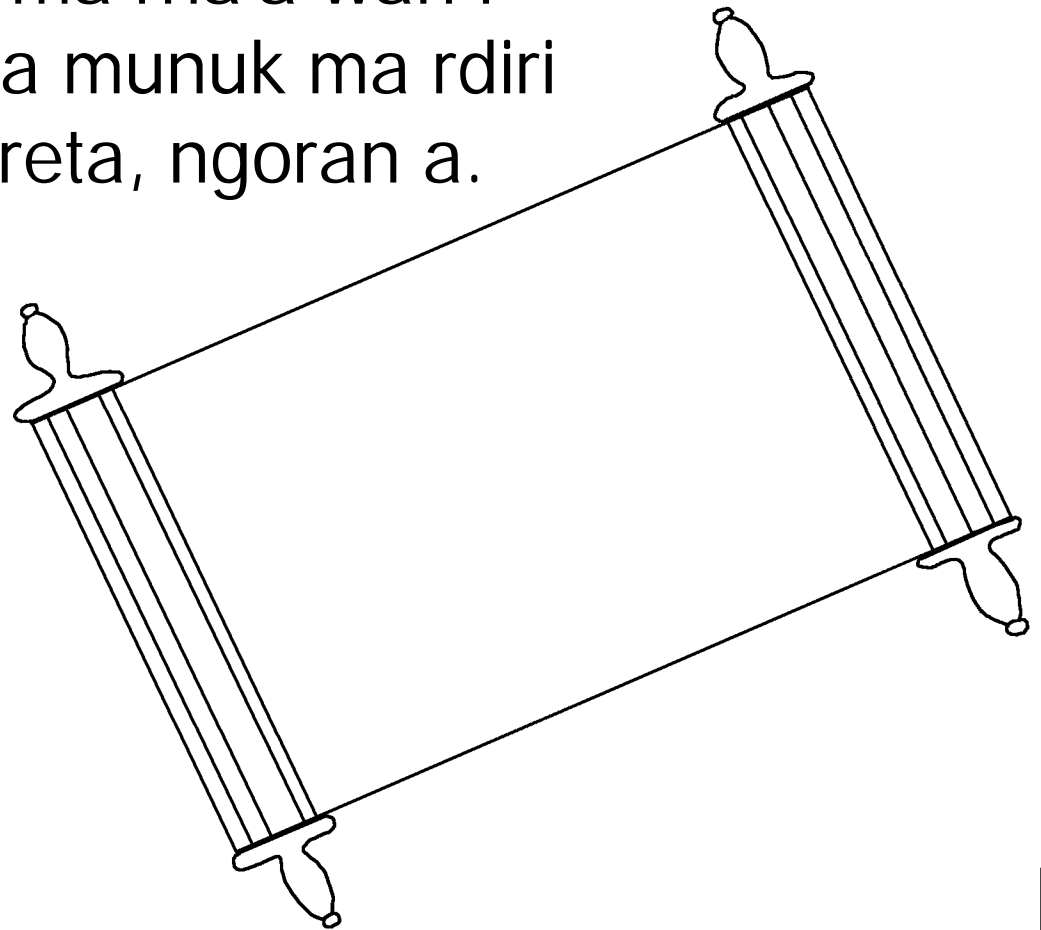
"Ia veka na'i vatuk munuk lurira ra tali matarira ra.  
Tamata ra veka wol rmata roak. Tamata ralarira ra wol  
lalau roak, te wol rvakar roak, ovu wol rfarnuang  
wawa'uk roak. Afa avyai  
rlia rmamu munuk roak."



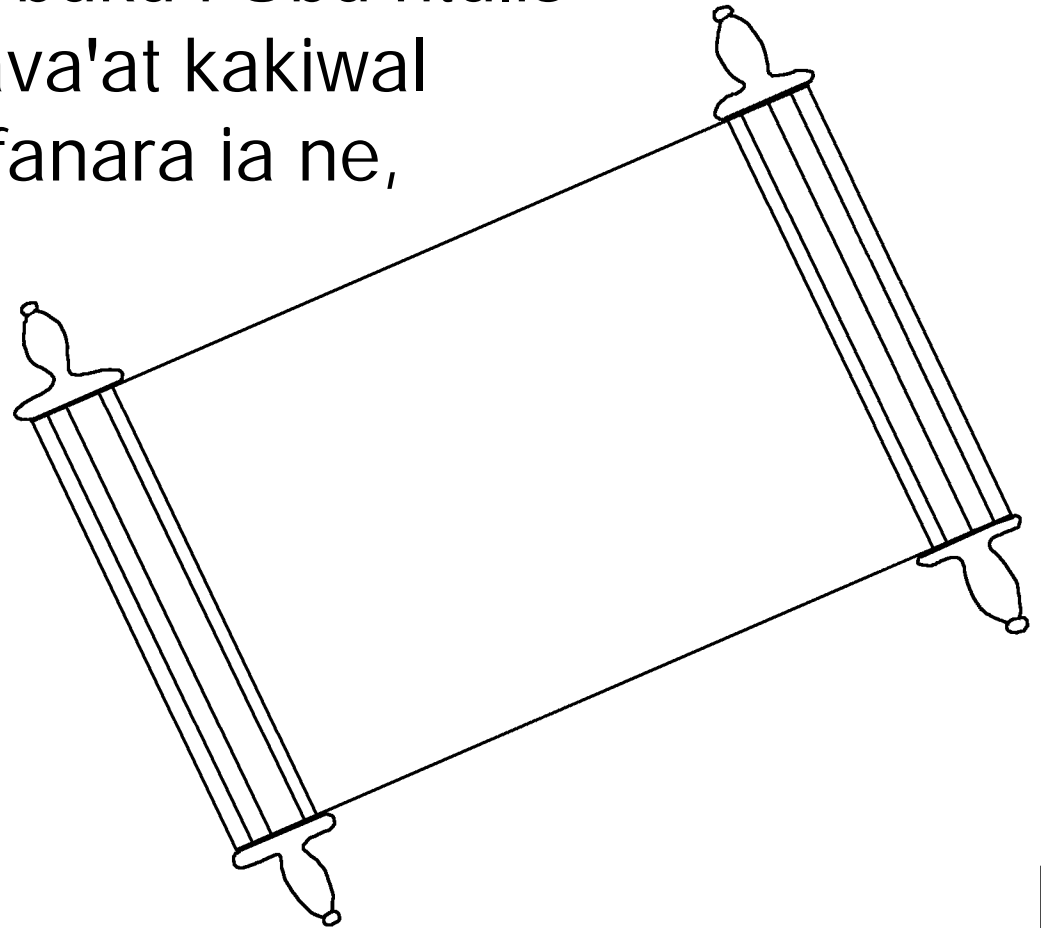
Tamata te afaka watan ovi Ubu near nfasoba lan roak  
ira, wol rna'a roak kota yai ralan a. Ubu ovu Domba  
Yanan wan i rdoku ma rfareta veka nana'a inyai. Ba Ni  
tamata sansinir ra rsangatur ma raraning la, ovu rarea  
lahir Ubu felan a ovu  
faneak i na'a roak  
rearira ra. Faneak  
yai Ubu naran a.



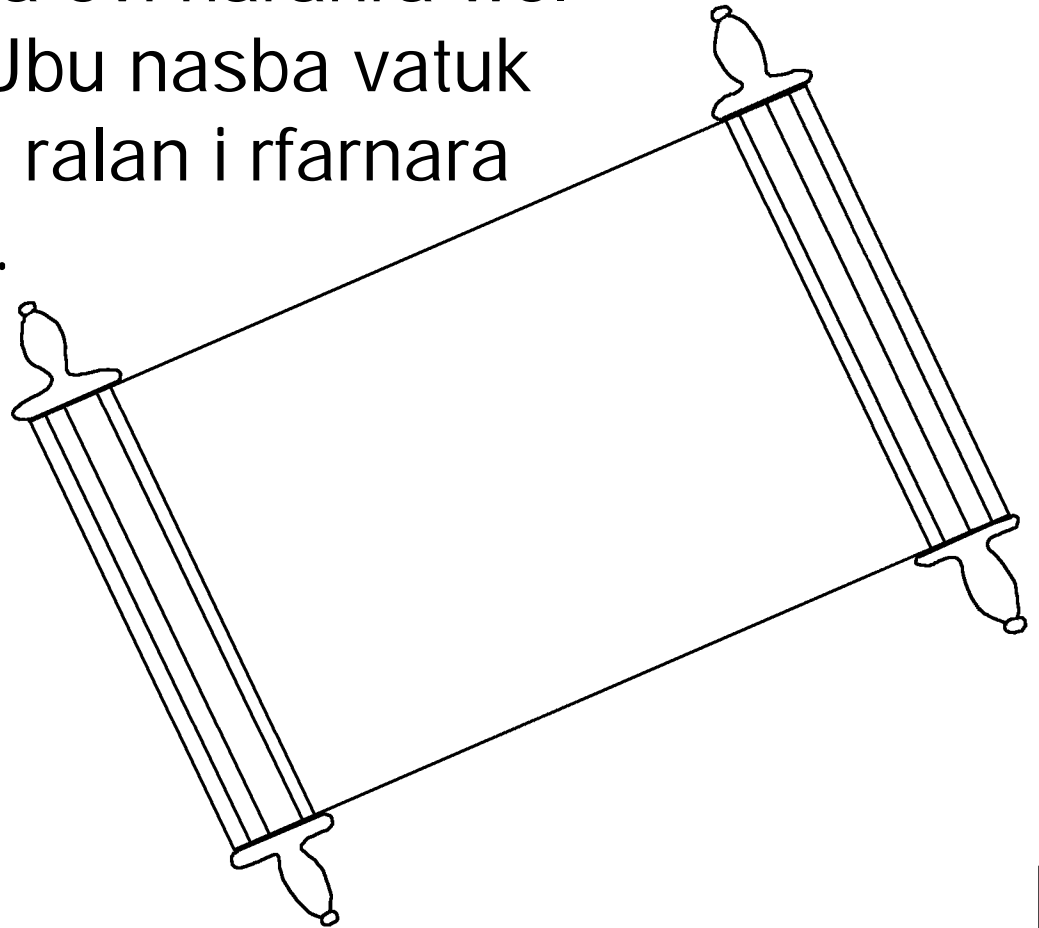
Urea vali tamata matmatan ovi Ubu nfava'at ewal ira,  
rdiri wan i la ndoku ma nfareta, ngoran a. Tamata avyai  
lan ana tamata dawan ira, na boku vali tamata ko'u ira  
watan. Tamata ovi rmata roak na'a tahat ralan, ovi vali  
tamata ovi rmata roak ma rna'a wan i  
matmatan ra rna'a, rma munuk ma rdiri  
wan i la ndoku ma nfareta, ngoran a.



Ba rvadil buku ovi rtulis tamata matmatan ra munuk rira afa ovi rotu roak ra, boma Ubu nfaleka inukun lokat ira ma inovan ovu rira afa ovi rotu ra, wean afa ovi ntulis roak na'a buku avyai ralarira ra. Rvadil vali buku liak isa i rfanara ia ne, buku i Ubu ntulis roak tamata ovi rira vava'at kakiwal nararira ra. Buku yai rfanara ia ne, Buku Vava'at Kakiwal.



Ubu nasba vatuk munuk tamata matmatan ovi wol  
ntulis nararira ra na'a Ni buku vava'at yai, ma ti rna'a  
wan i yafu nonga lalawatan a, ma ngnearun. Ba  
tamata matmatan ra ovi wan i matmatan ra rna'a wol  
rleal roak, tevek tamata ovi nararira wol  
rna'a buku vava'at a, Ubu nasba vatuk  
munuk roak ira rti yafu ralan i rfarnara  
ia ne, matmatan farua.



Ubu Ni Roh a ovu Domba Yanan awan a rfalak ne,  
"Mya kikyai!" Ba tamata ovi rarenar vaivatul yai, ira  
musti rfalak vali ne, "Mya kikyai!" Iki watan inan urun  
ma nka'a Ubu, wean tamata i nabroa, na ni lolin a, nma  
ma nenu wear i wol nbahir. Wear yai nvua vava'at.



Ubu Ni silobang dawan urun verin  
tamata ra na'a lanit ivavan a, ma  
nala lahir Yanan ikisa lalo'i a, boma  
tamata iki watan norang la, na  
veka wol nmata kakiwal, na'uk  
veka nva'at, nata ti  
wol ni wahan.



Roma 3:23 Ubu inan ma tamata ra munuk rovu la na'a vanan i nfitik nyadat. Na'uk tamata ra munuk lahir na'a lanit ivavan a rotu roak salasilan, bi notu ma rfaroa lahir ira tali vanan i nfitik nyadat a.

Roma 6:23 Tamata ovi rotu salasilan ra veka rira matmatan kakiwal. Na'uk Ubu nala vava'at kakiwal verin tamata ovi rira vava'at isa roak ovu dida Duila'a Kristus Yesus. Ia notu wean inyai wol ntali afa ovi totu ra, na'uk la ka'i nala watan.

Ibrani 9:27 Ubu nfadoku roak ma tamata ra rmata fasa watan, beti ti rdiri Ubu wahan ralan a ma nfaleka inukun verin ira.



Efesus 2:8,9 Ubu nala Ni rala lolin a verin mia, ba notu linga'an ma nsikat mia tali bira salasilan ra, ma bira vava'at kakiwal, tevek myorang Yesus. Inyai wol ntali afa lolin ovi myotu ra, na'uk Ubu ka'i nala watan verin mia. Ubu notu afa yai wol ntali afa lolin ovi myotu ra, ba deka tamata isa vali nfakaratat tenan a, ma nfikir ne, afa ovi notu ra not-nala ma Ubu nsikat ia tali ni salasilan ra, ma ni vava'at kakiwal.

Roma 10:9,10 Ba wean i mtyorong ma fyalak na'a tamata waharira ralan ra ne, "Yesus Duila'a la," ovu myorang na'a ralabira ra ne, Ubu nfava'at ewal roak la tali matmatan, na Ubu veka nsikat mia tali bira salasilan ra, ma bira vava'at kakiwal. Tevek ita torang ovu raladida ra, bi Ubu notu ma dida vava'at ra rmalola, ovu tatorung vali la ovu sumardida ra, bi Ubu nsikat ita tali dida salasilan ra, ma dida vava'at kakiwal.



Yohanes 3:16,17 Ubu Ni silobang dawan urun verin tamata ra na'a lanit ivavan a, ma nala lahir Yanan ikisa lalo'i a, boma tamata iki watan norang la, na veka wol nmata kakiwal, na'uk veka nva'at, nata ti wol ni wahan. Ubu wol nsinir Yanan nma lanit ivavan a ma nfaleka inukun verin tamata ra, na'uk nsinir la nma ma nsikat tamata ra tali rira salasilan ra, boma rira vava'at kakiwal.

1 Yohanes 5:11-13 Ubu Ni Ivar yai wean ini: la nala roak vava'at kakiwal verin ita. Vava'at kakiwal yai ntali a'uk Yanan a. Tamata ovi Ubu Yanan a nleal ralarira ra, rira vava'at kakiwal, na'uk tamata ovi Yanan a wol nleal ralarira ra, wol rira vava'at kakiwal. Utulis surat ini verin mia, tamata ovi myorang Ubu Yanan a, boma mkya'a lahir ne, bira vava'at kakiwal roak.



Yohanes 14; 2 Korintus 5; Wahyu 4, 21, 22

Storyline by: Edward D. Hughes

Illustrated by: Lazarus  
and Alastair Paterson

Adapted by: Sarah S.

Fordata Bible (frd) © 2016, Yayasan Pemberdayaan  
Masyarakat Desa in cooperation with Wycliffe Bible  
Translators, Inc.

<https://www.bible.com/bible/2178/MAT.1.FRD>

©2026 Bible for Children, Inc.

[www.M1914.org](http://www.M1914.org)

[www.bibleforchildren.org](http://www.bibleforchildren.org)

