

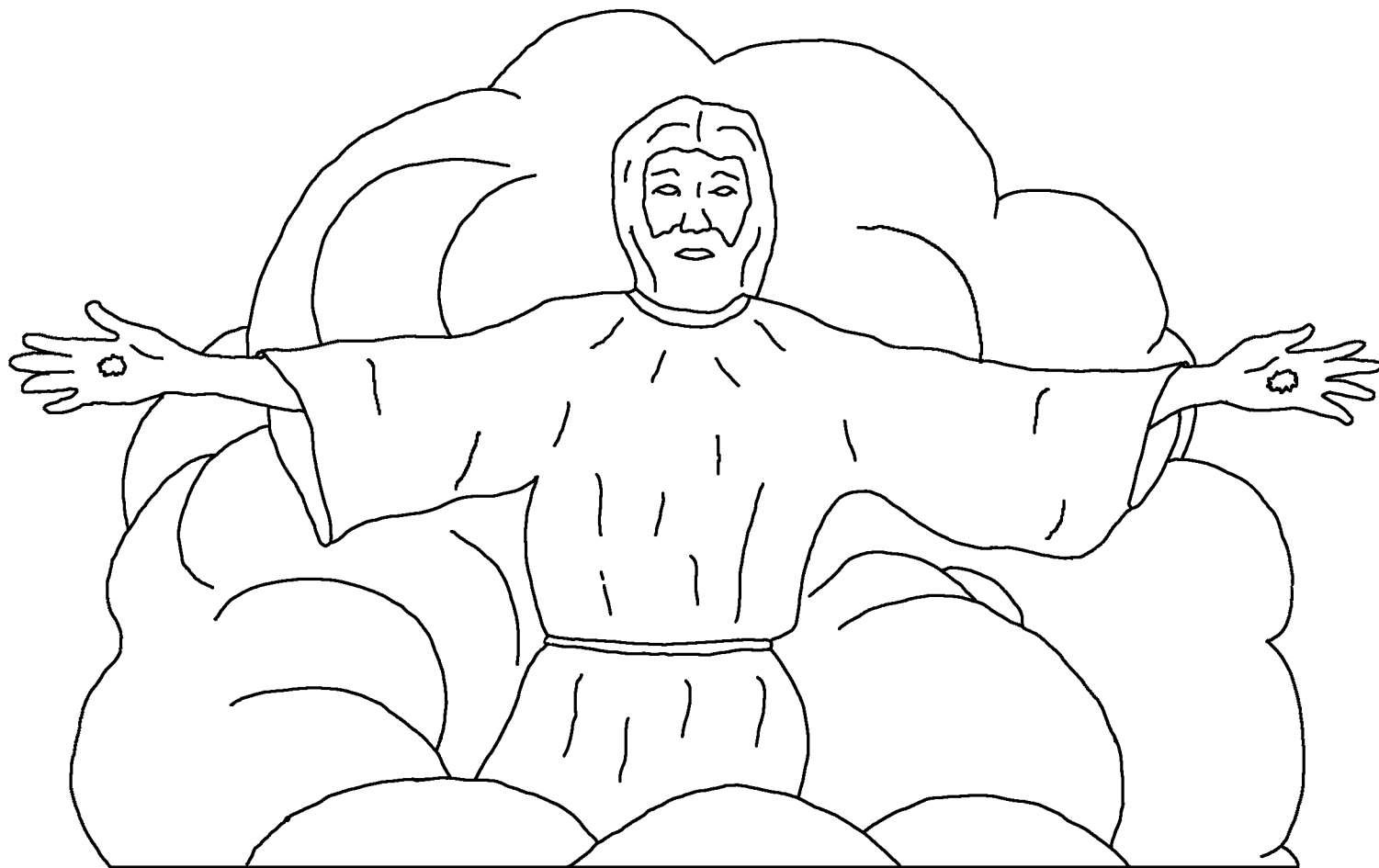
www.BibleForChildren.org



Yahaya 14



Yeesu wi'ibe, "To' on ngannu nder berde moodon,
koolee Allah, kooleeyam. Nder wuro Nyaako am Mo
Dow e woodi cuudi duddi. Daa naa' dum non, daa mi
wi'ay'onka. Mi yahay ton mi siryanoo'on to
njoodotoodon."

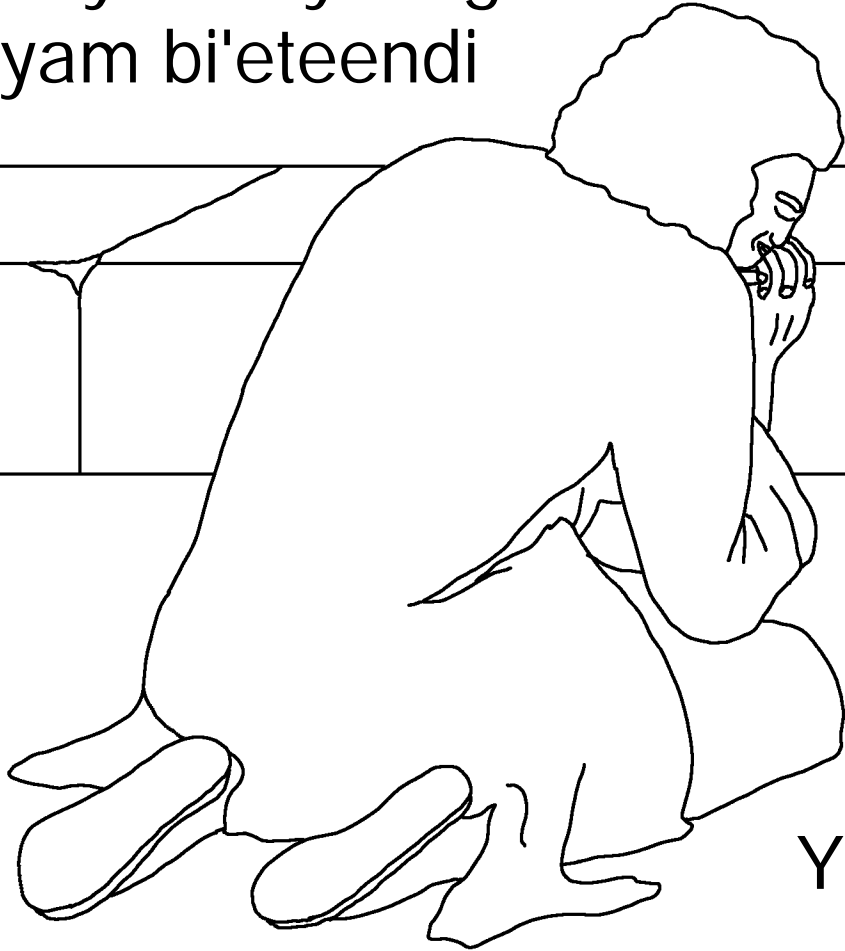


"To mi yahii, mi siryanake'on to njoodotoodon, mi so"oyto, mi hocca'on mi yaara'on to am, ngam onon maa njoodoodon to ngonmi."



Min woni Yahaya bandiraawo moodon nder tokkuki Yeesu. En njara torra ngam en yimbe nder laamu maako, ammaa o hokkii'en berde munyal.

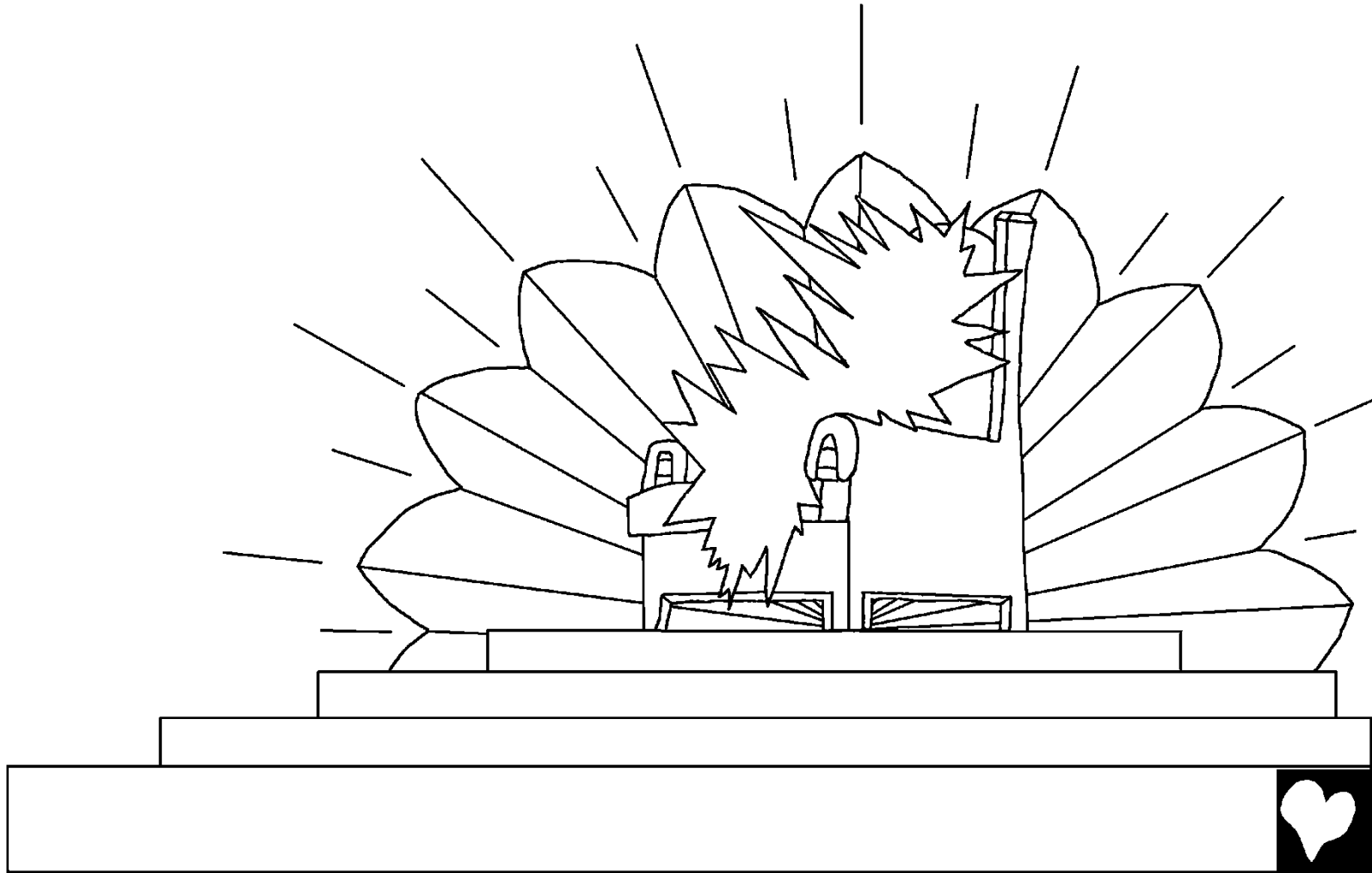
Dum yaariyam leydi ngondi
caka ndiyam bi'eteendi



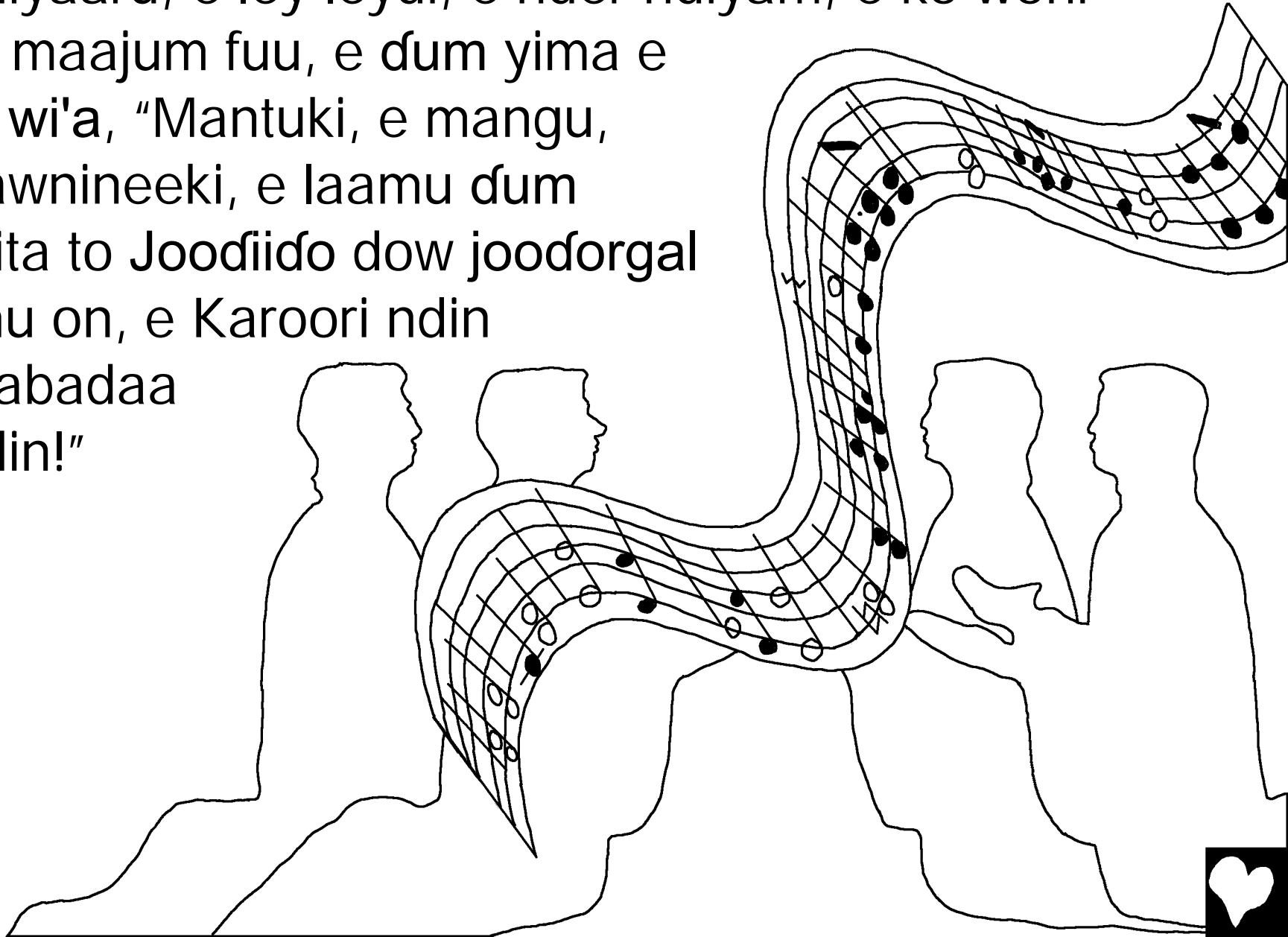
Batamos ngam mi
wa'ajinii Wolde Allah
mi hokkii habaru
Yeesu.



Don e don Ruuhu Allah jippoyii dow am, sey ngiimi
joodorgal laamu e dow, goddo e joodii dow maagal.

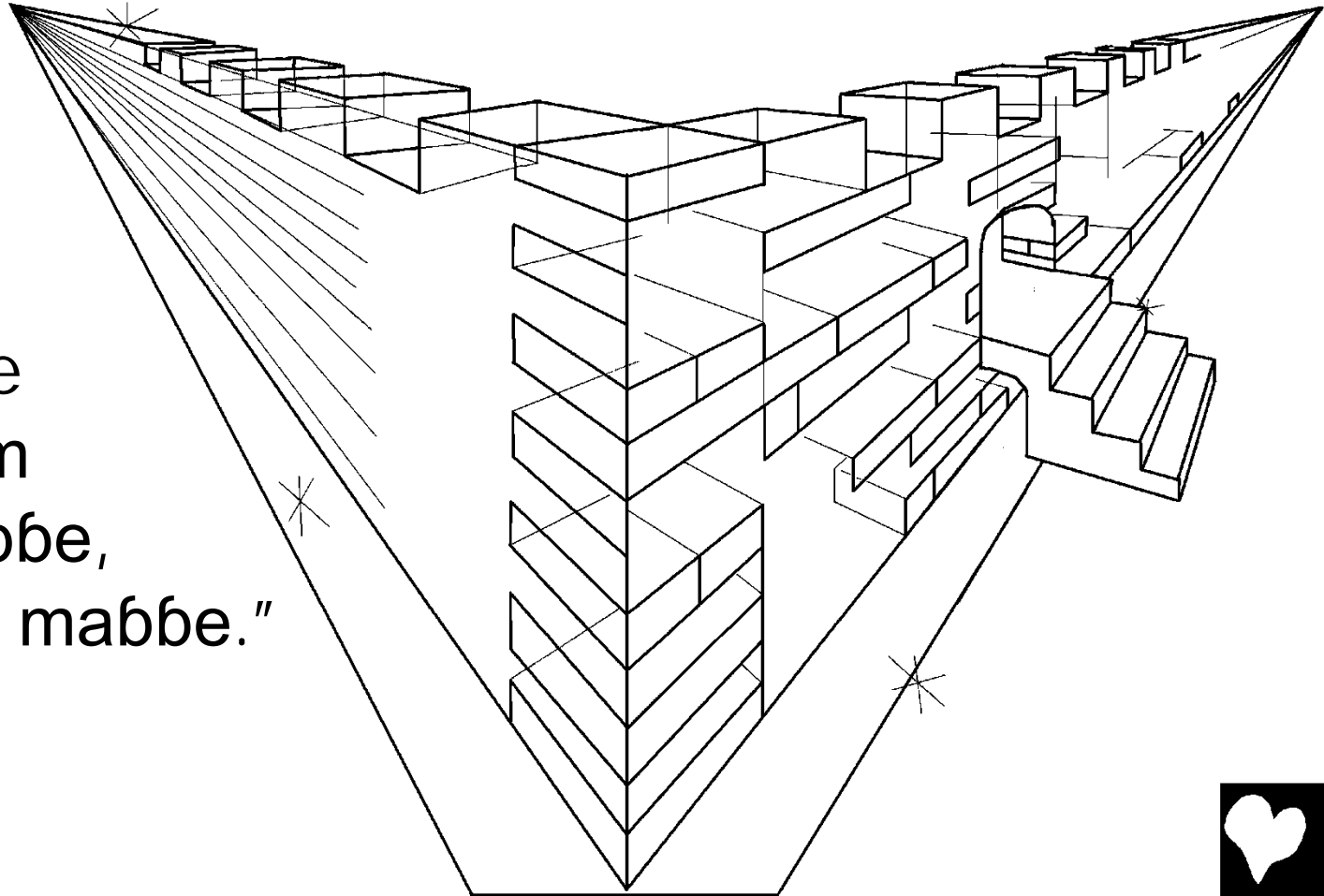


Sey nanmi koo dume ko tagaa e dow, e nder
duuniyaaru, e ley leydi, e nder ndiyam, e ko woni
nder maajum fuu, e dum yima e
dum wi'a, "Mantuki, e mangu,
e mawnineeki, e laamu dum
tabbita to Joodiido dow joodorgal
laamu on, e Karoori ndin
haa abadaa
abadin!"

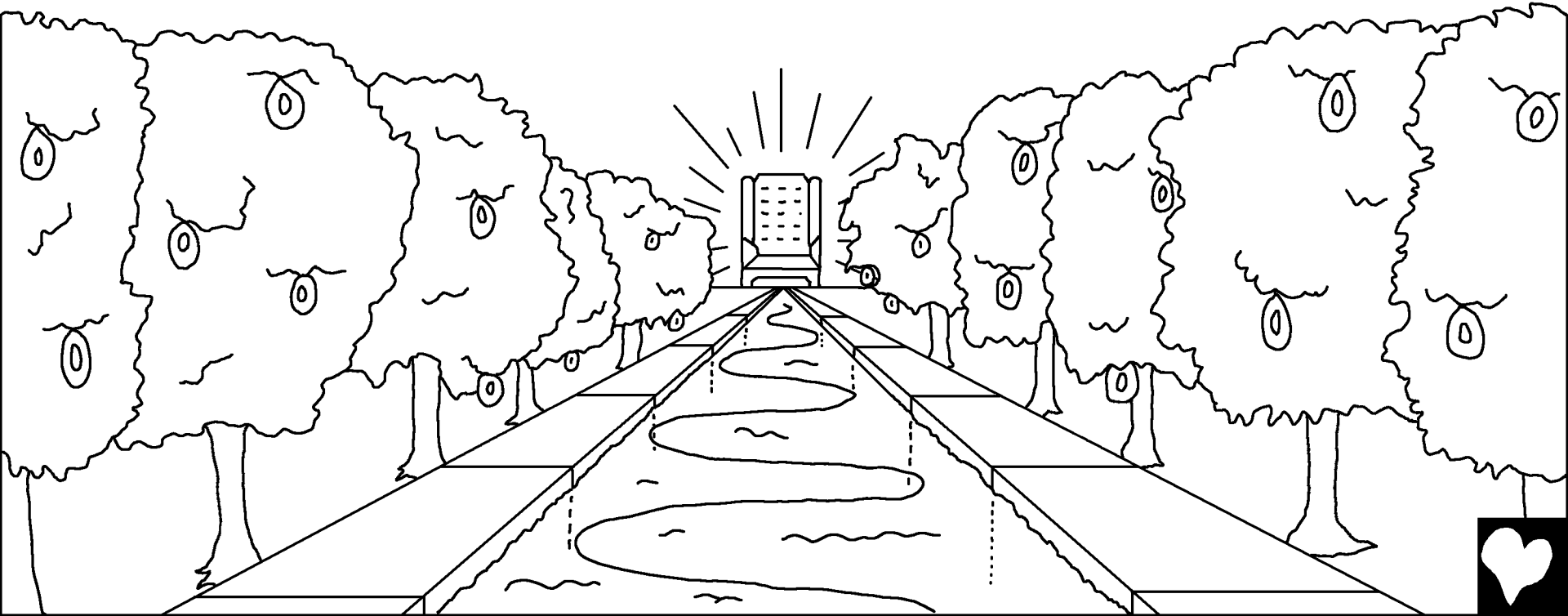


Nden mi yi'ii Gariiri Ceniindi, waato Urucaliima keyri e ndi jippoyoo daga dow, daga to Allah, ndi siryaama bo banaado mo"itiniido ngam gorko muudum. Nden mi nanii wonde hononde cembinde daga joodorgal laamu ngal e nde wi'a, "Raddum to Allah joodotoo e wondi e yimbe! O joododoto e mabbe, be ngartay yimbe maako. Allah e hoore muudum wonday e mabbe, o wartay Allah mabbe."

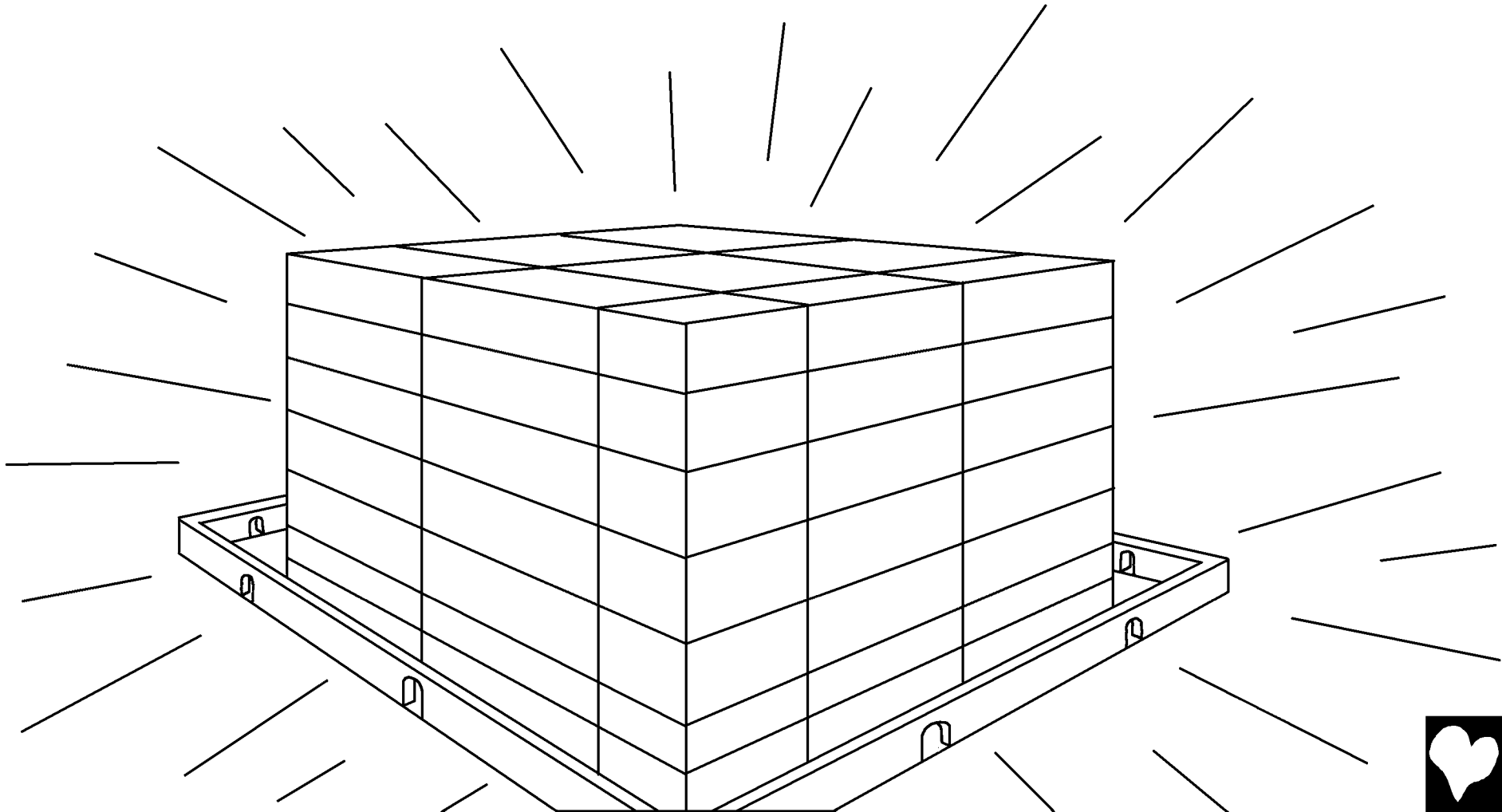
O joododoto e mabbe, be ngartay yimbe maako. Allah e hoore muudum wonday e mabbe, o wartay Allah mabbe."



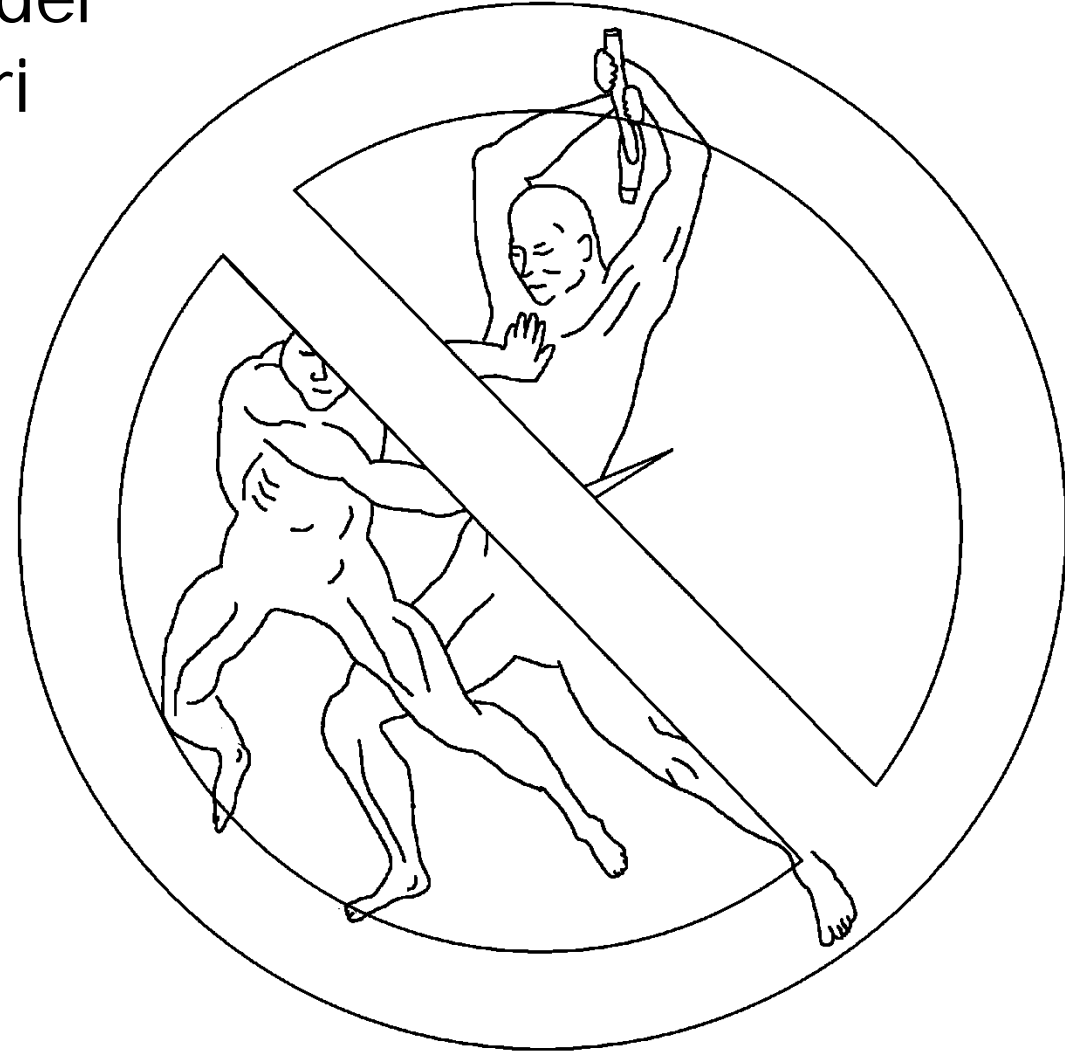
Nden malaa'ikaajo on holliyam caangol ndiyam yonki e ngol delkitoo bo daaroggal e ngol iloya daga joodorgal laamu Allah e Karoori ndin, e ngol tokka caka fatal gariiri ndin.



Gariiri ndin yidaayi jayngol naange koo ngol lewru,
ngam teddungal Allah yeynantoondi, nden Karoori ndin
woni fitilaaru mayri.



Walaa goddum ko senaaki nattaydum gariiri ndin, koo boo gadoowo kuude nefniide, koo pewoowo. Sey ni bedum windi inde mu"en nder deftere yonki nde Karoori ndin, kambe tan nattata gariiri ndin.



“O moytanaybe fuu gondi mabbe, dum boo fudditataa
dum wada mayde koo wannaare koo bojji koo torra
ngam koo dume dum ndenno yabbake.”

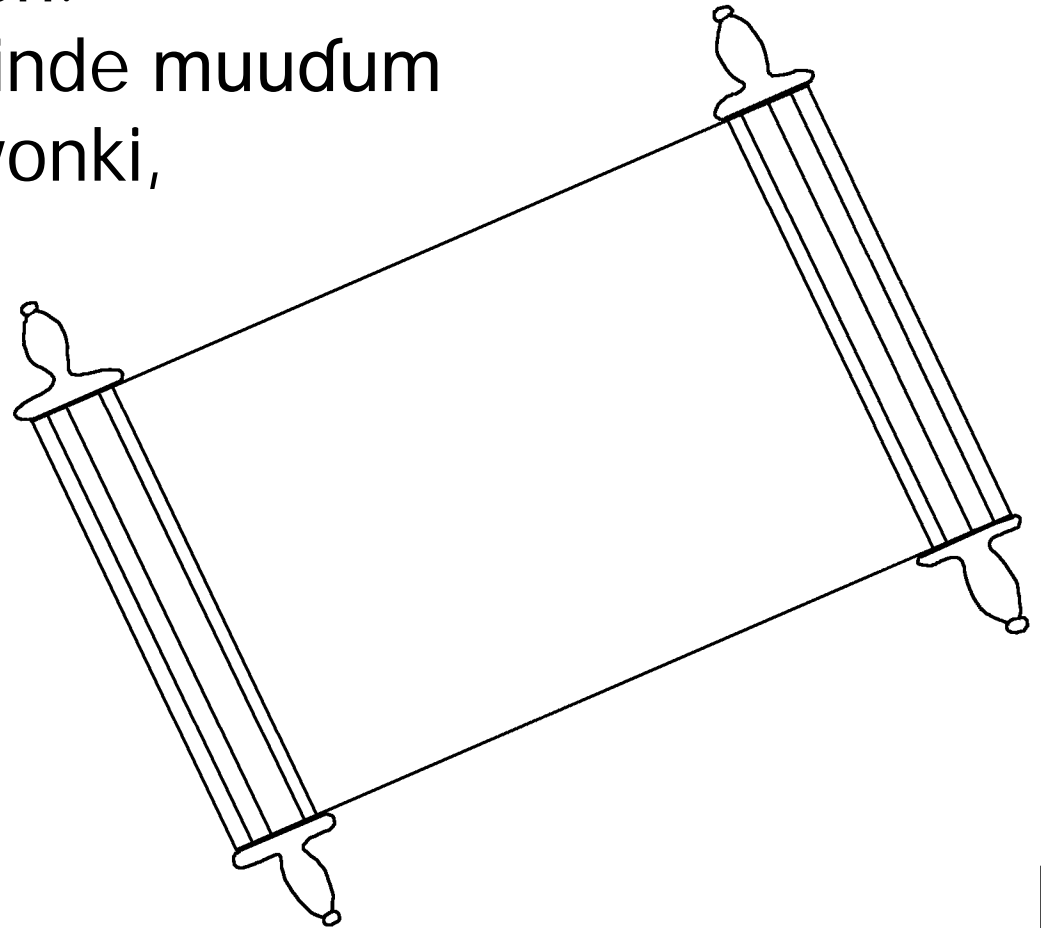


Dum hebataa goddum dum Allah laani nder gariiri ndin,
ammaa joodorgal laamu Allah e Karoori ndin joodoto
nder mayri. Maccube maako boo mawninaymo. Nden
be ngi'ay yeeso maako, kadimaa dum winday inde
maako e tiide mabbe.

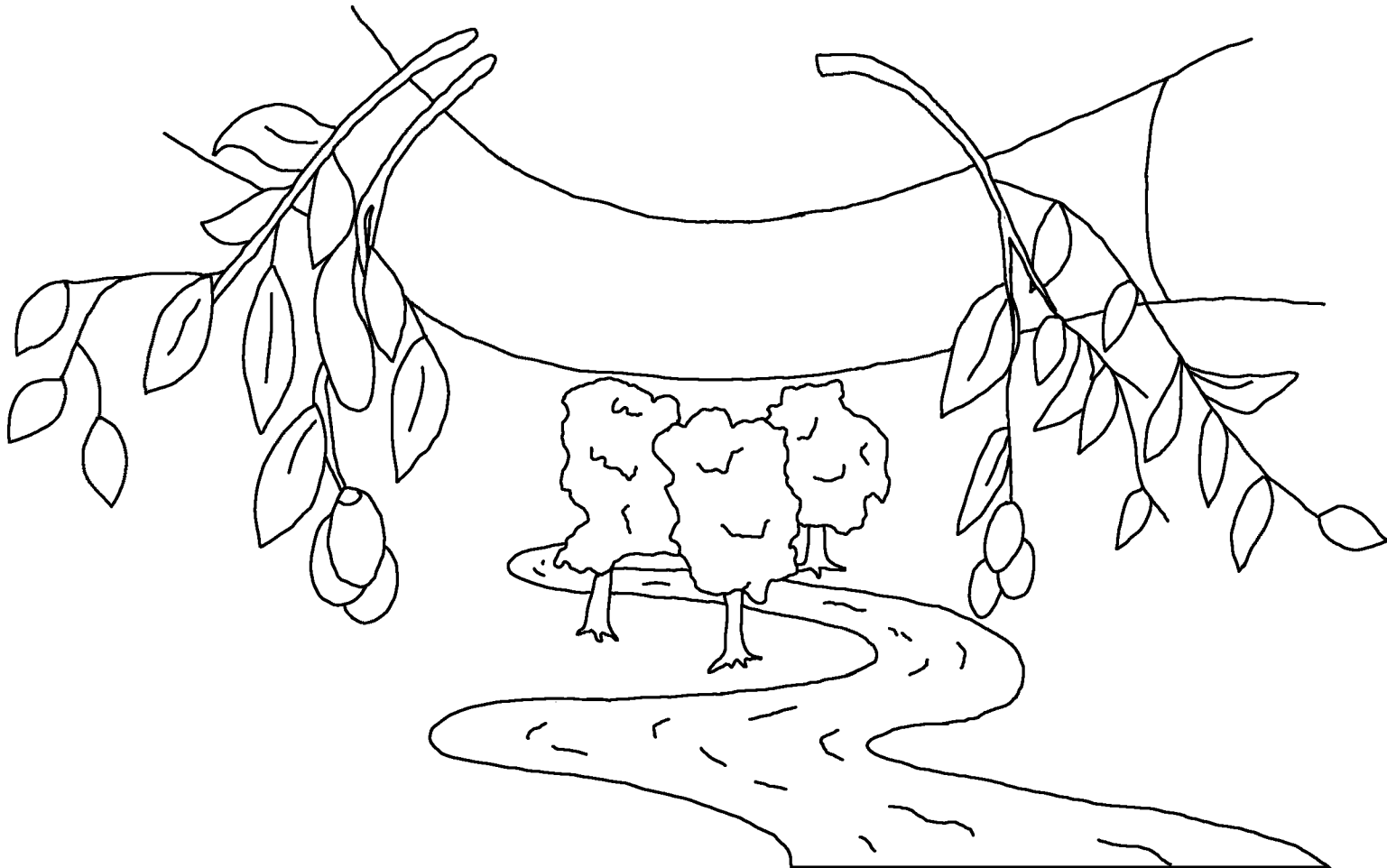


Sey ngiimi maybe, mawdo e pamaro, e ndarii yeeso
joodorgal ngal, dum mabbiti godde defte. Donmaa dum
mabbiti wonde deftere, waato deftere yonki. Dum
wadani maybe kiita dow ko be ngadi non no dum
windiraa nder defte den.

Fuu mo dum tawaayi inde muudum
e windii nder deftere yonki,
dum hubinimo nder
mbeela hiite ngan.



Ruuhu Allah e Baŋaado e be mbi'a, "Woroy!" Koo moye nanudo du'um fuu wi'a, "Woroy!" Fuu nando donka wara, fuu gidɔo sey nyeda ndiyam yonki caahu.



Ngam yidde nde Allah yidi duuniyaaru
haa o hokkii Bid'oo maako bajjo,
ngam koo moye kooliidomo
to' halka ammaa heba
yonki ki re'ataa.



Roomanko'en 3:23 Koo moye neddo wadi hakke wodditake ko Allah yidi o wada.

Roomanko'en 6:23 Ngam njobaari hakke dum mayde, ammaa caahu Allah woni yonki ki re'ataa kebeteekei barka sumpootirki e Yeesu Almasiihu Joomiraawo meeden.

Ibraaniyanko'en 9:27 Non no dum siryanii neddo maaya nde go'o, gada mayde nden dum wadanaymo kiita,

Aafisanko'en 2:8,9 On kisii ngam yidde Allah barka hoolaaki Yeesu. Naa' on kisu ngam goddum dum ngaddon, ammaa dum caahu Allah, naa' ngam kuude moodon, ngam to' goddo mawnina hoore muudum.



Roomanko'en 10:9,10 Ngam taa wi'ii e honduko maada,
"Yeesu o Joomiraawo," nden taa hoolake nder bernde
maada wiiki Allah umminiimo daga mayde, a hisay. Ngam
nder bernde neddo hoolotoo Almasiihu nden Allah
wartiramo aadiliijo, nden e honduko neddo wi'ata e njayri
Yeesu woni Joomiraawo hisa.

Yahaya 3:16,17 Ngam yidde nde Allah yidi duuniyaaru haa
o hokkii Biddo maako bajjo, ngam koo moye kooliidomo to'
halka ammaa heba yonki ki re'ataa. Ngam Allah liloyaayi
Biddo muudum nder duuniyaaru ngam o tayanandu kiita.
Ammaa o liloyiimo ngam o hisna duuniyaaru
e laawol maako.



1 Yahaya 5:11-13 Du'um woni ko tabbitinani'en Allah hokkii'en yonki ki re'ataa, nden yonki kin to Bidɗo maako kebetenki. Fuu jabuɗo Bidɗo Allah e woodi yonki. Mo jabaayi Bidɗo on, walaa yonki. Mi windan'on du'um, onon kooliibe inde Bidɗo Allah, ngam andon on ngoodi yonki ki re'ataa.



Yahaya 14; 2 Korintiyanko'en 5;
Wahayu Yahaya 4, 21, 22

Storyline by: Edward D. Hughes

Illustrated by: Lazarus
and Alastair Paterson

Adapted by: Sarah S.

Fulfulde Nigerian NT (fuv) © 2010, Bible League.
All rights reserved.

<https://www.bible.com/bible/1159/MAT.1.FUV>

©2026 Bible for Children, Inc.

www.M1914.org

www.bibleforchildren.org

