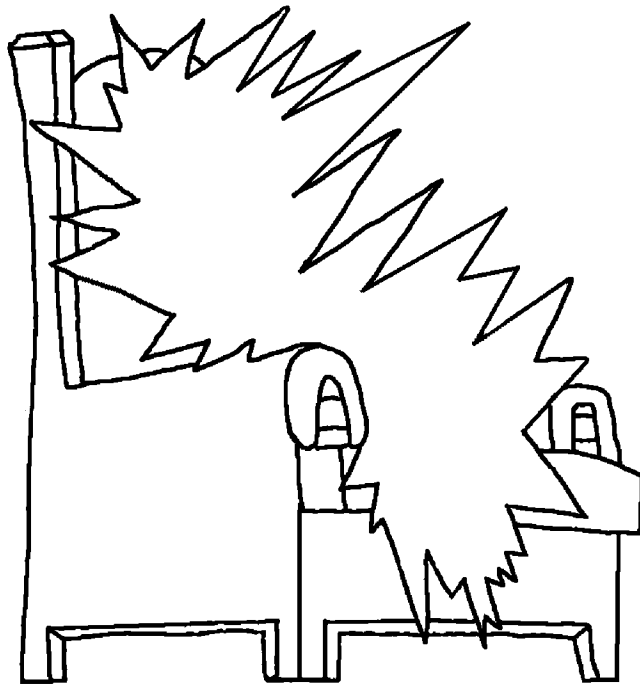


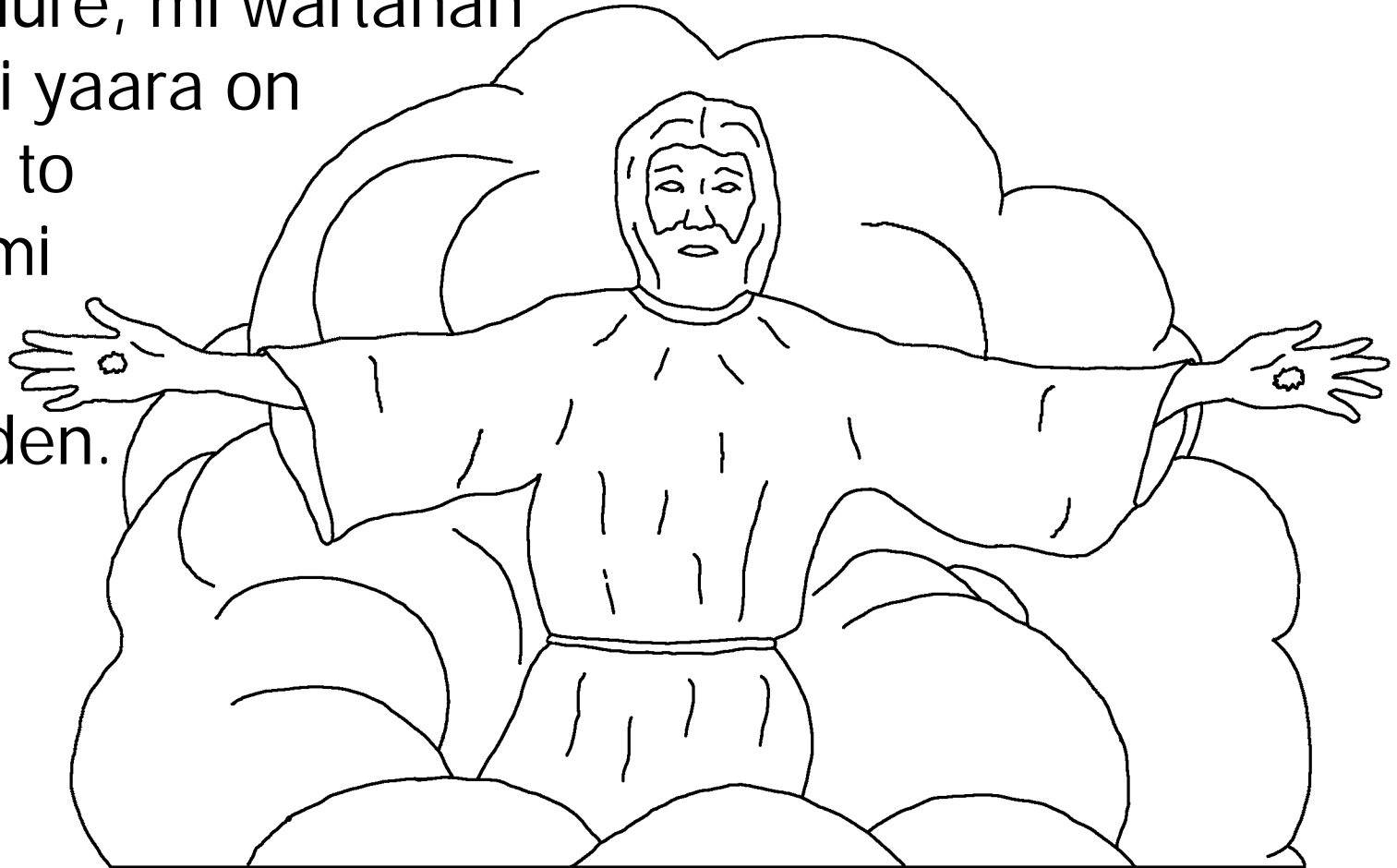
www.BibleForChildren.org



Yahaaya 14



lisa wi'i *aahiibe mum : —To accee berde mon mbona,
ngoondinee Alla, ngoondinon kam, miin duu. Cuudi
duddi no nder hoggo *Baaba am. Mi yahan toon, mi
siryanoo on nokkuure. Se hanaa goonga non, mi
haalantaa on dum. Ndenne, nde mi siryanake on
nokkuure, mi wartanan
on, mi yaara on
ngam to
ngonmi
fuu,
ngonden.



Miin Yahaaya banndiraawo moodon goondindo lisa.
Mi hawti he moodon nder torra, nder laamu
makko e nder tittinkinaaku ngu o yami en.

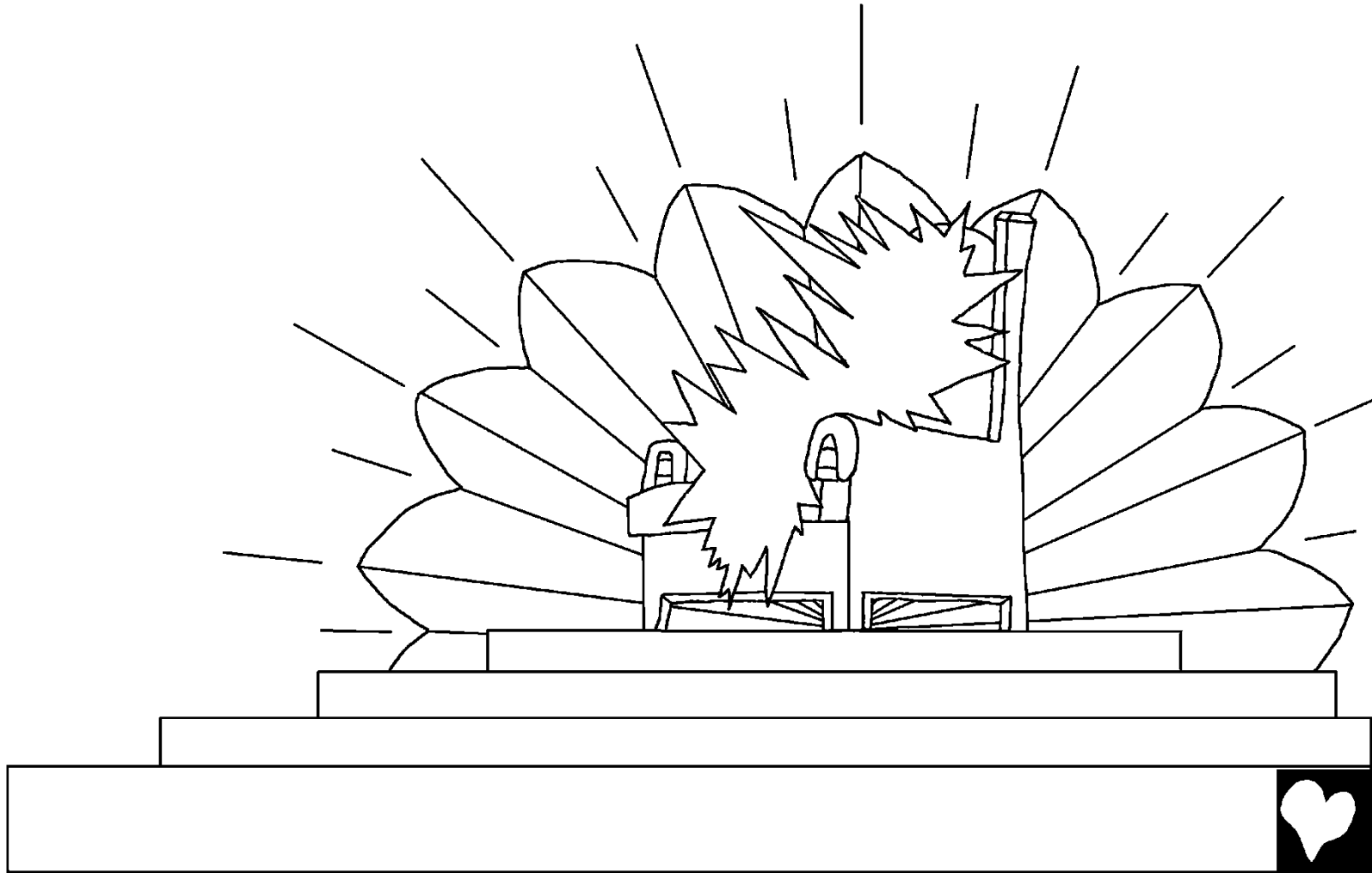
Mi yaaraama semmbe semmbe dow
duune Patamos ngam mi



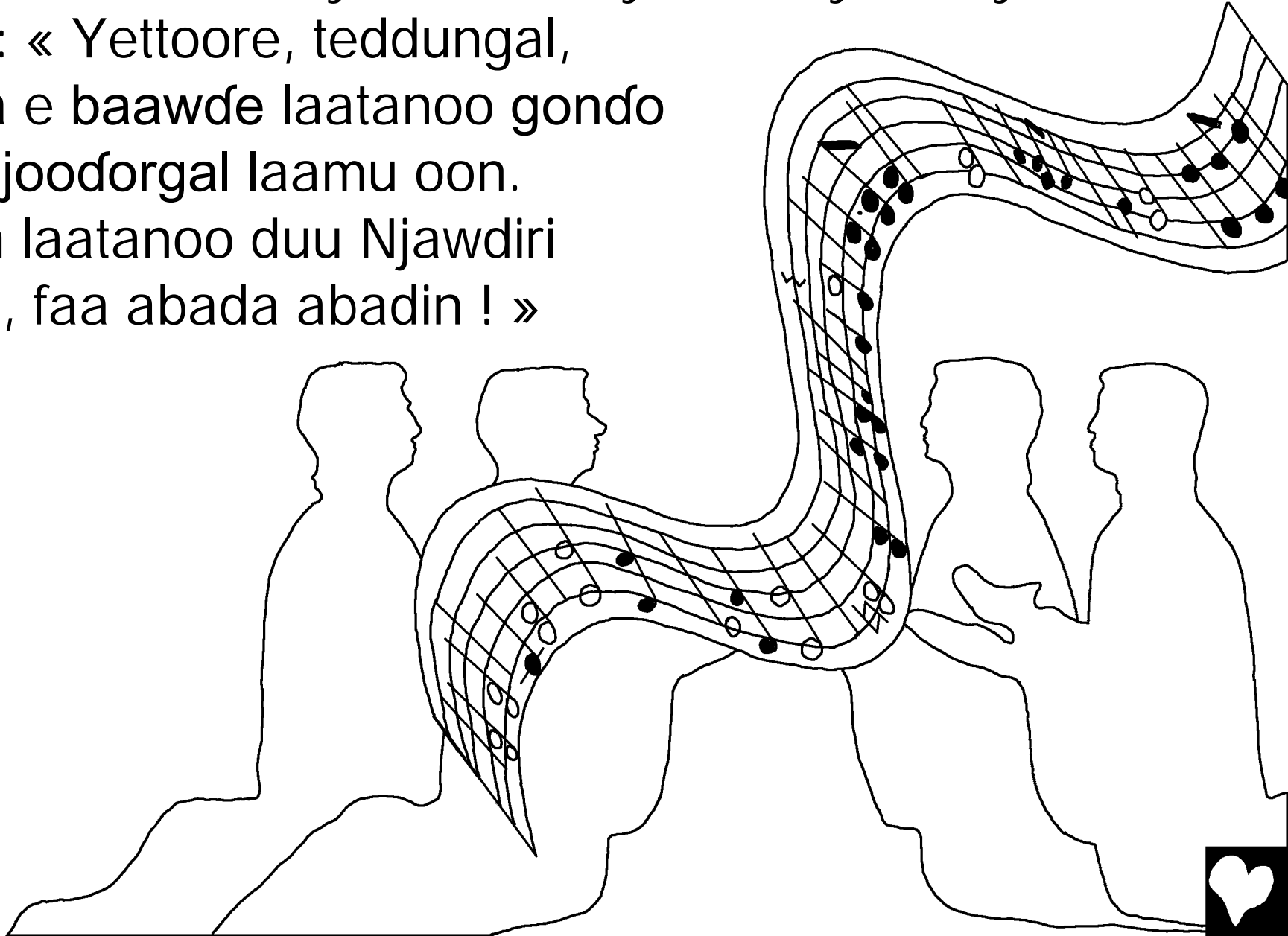
waajake haala Alla,
mi haali ko ceediimi
dow lisa.



Wakkati mum da keewumi *Ruuhu Alla, sey ngi'umi
joodorgal laamu dow kammu, neddo gom no
joodii dow maggal.

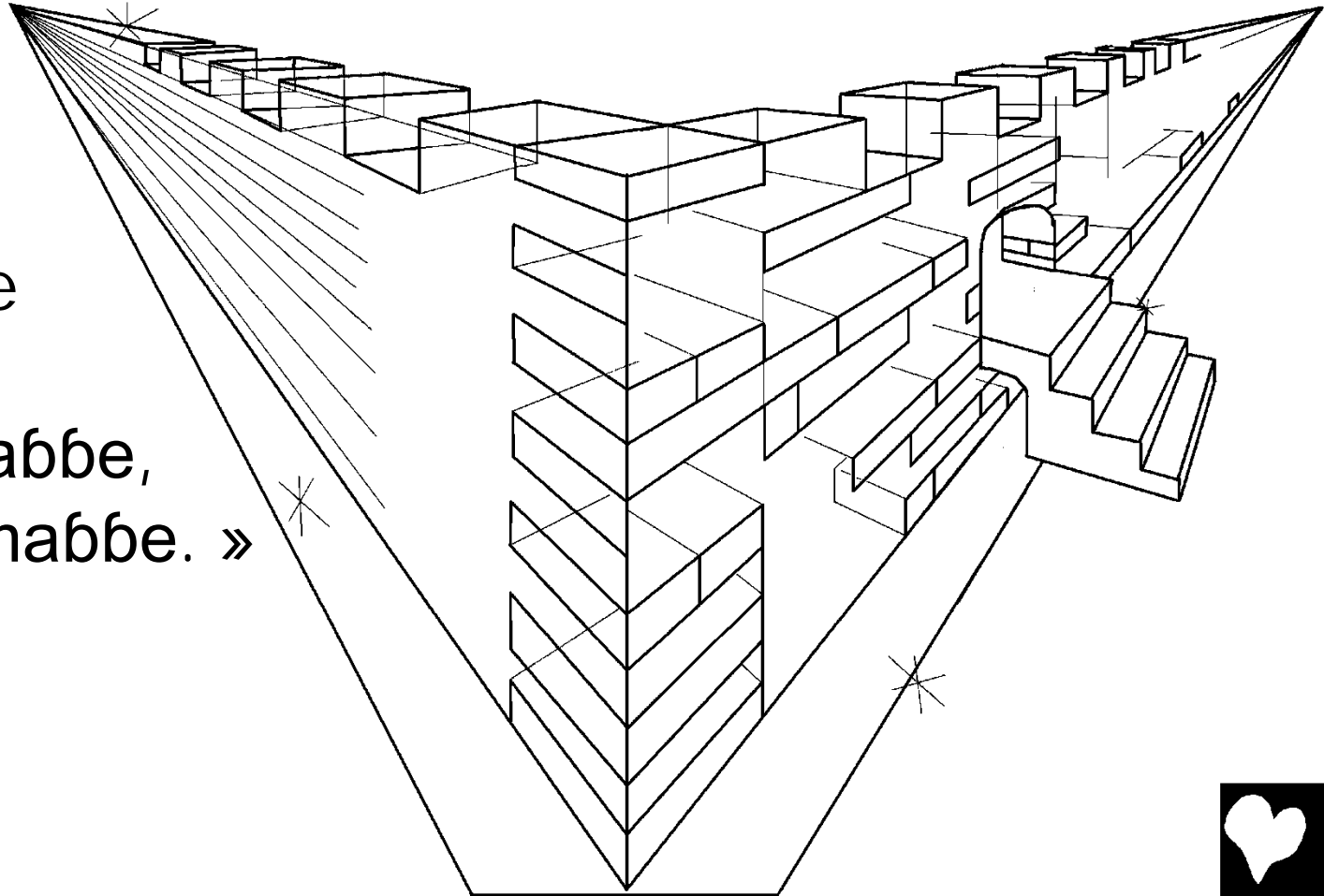


Nanumi kaden, tagaadi fuu tagaani, tawaani dow e ley,
tawaani nder maayo, wondi ley bedi leydi no yima no
wi'a : « Yettoore, teddungal,
darja e baawde laatanoo gondo
dow joodorgal laamu oon.
Dum laatanoo duu Njawdiri
ndiin, faa abada abadin ! »

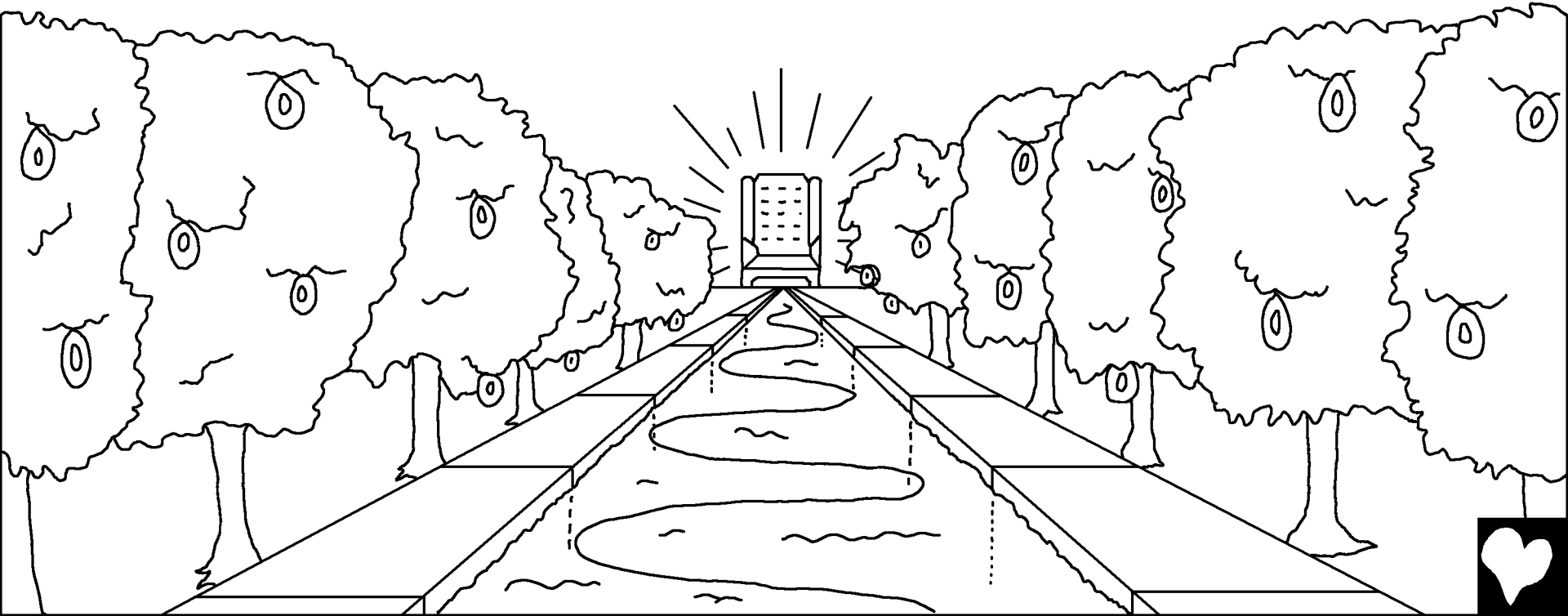


Ngi'umi *Ursaliima keso oon, hubeere seniine ndeen no yuwa to Alla no jippoo. Inde fedá hano no banoyteedo fedirtee ngam nana beldum yahde to gorum. Nanumi daane toowne gom yuwi dow joodorgal laamu ngaal inde wi'a : « Ndaa, *hukumuuru Alla nii hakkune himbe.

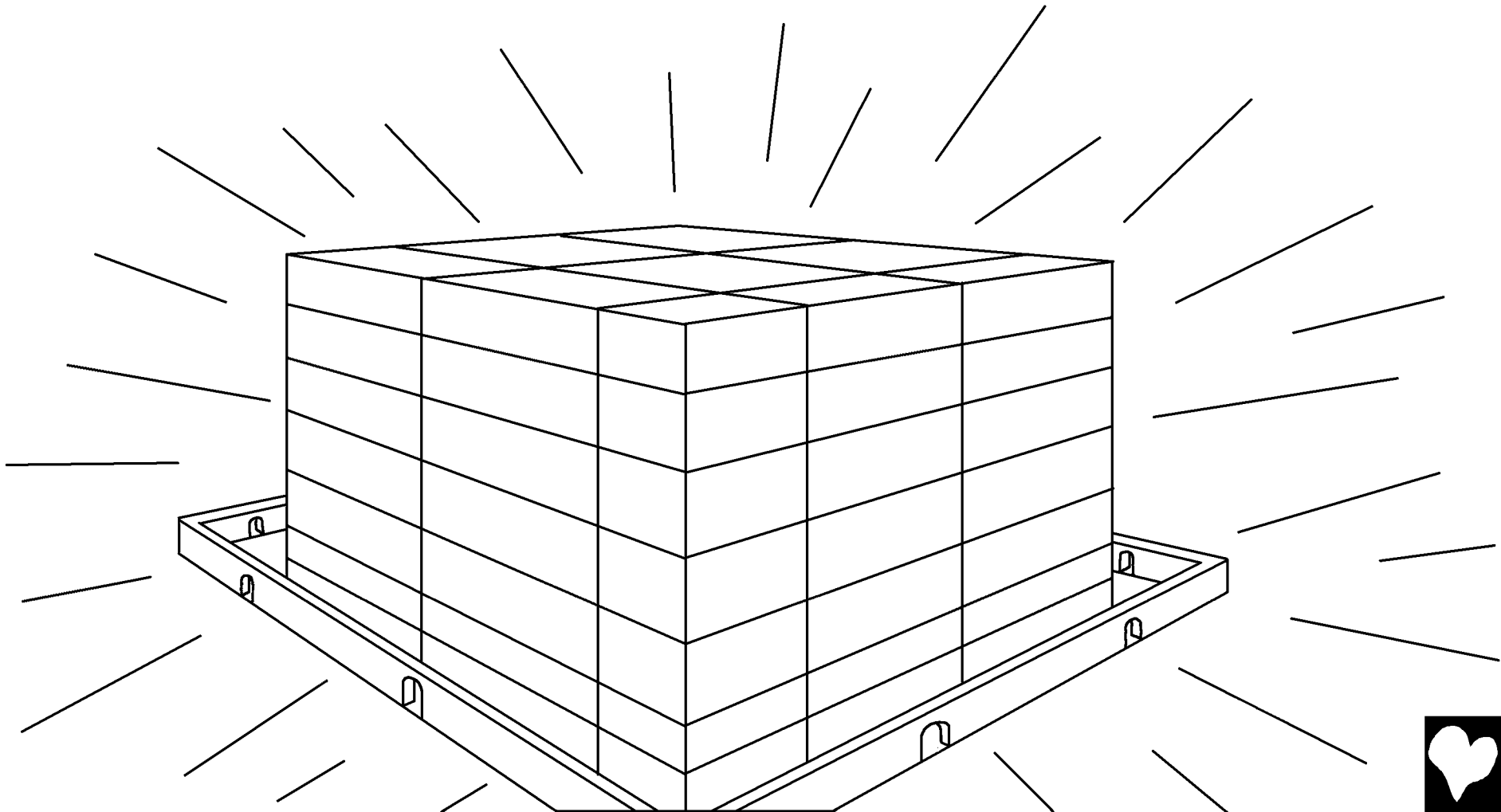
O joddoto he mabbe, be laatoo himbe makko. Alla he hoore mum wondan he mabbe, o laatoo Alla mabbe. »



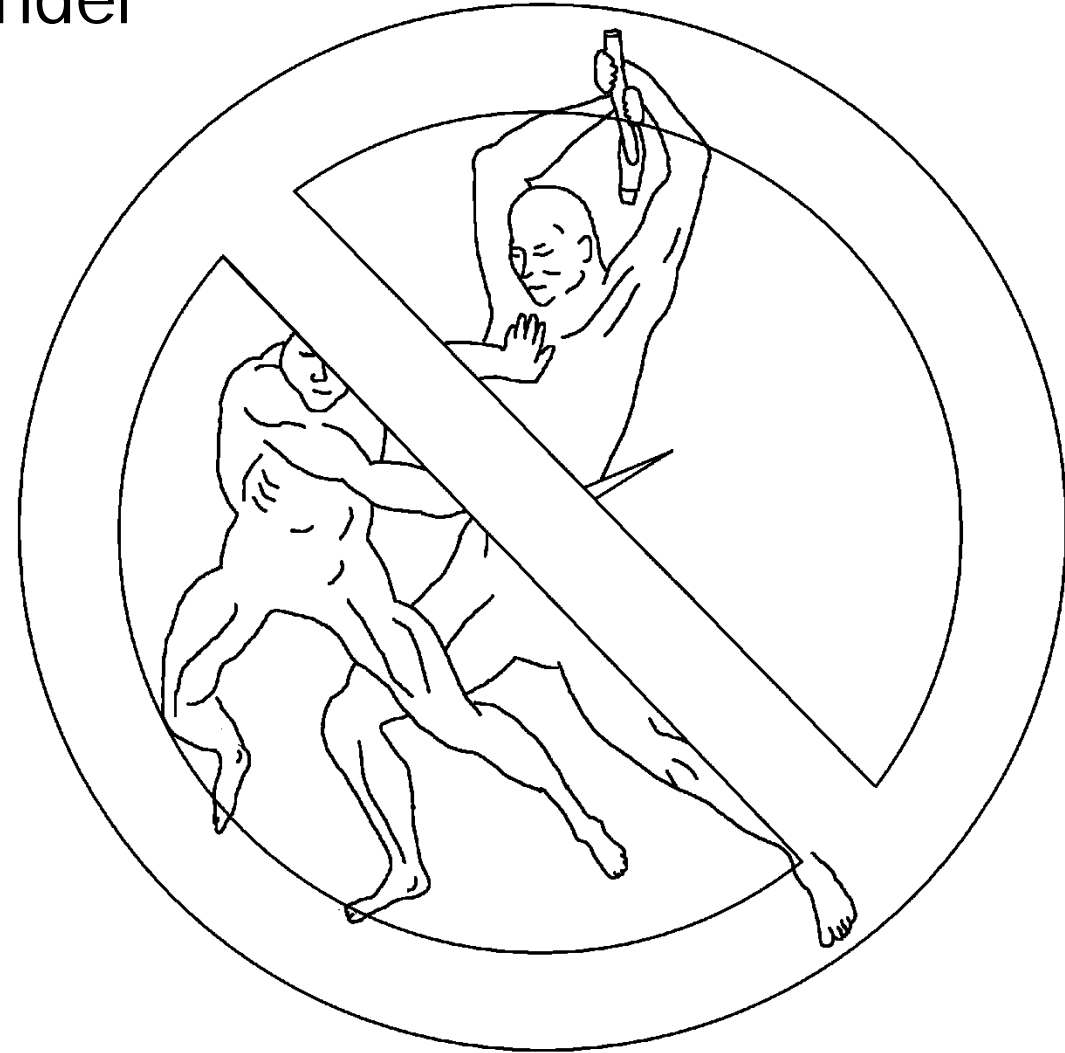
Maleykaajo tawaado hakkune maleykaabe jeddo
jogiibe nyederde jeddi holli kam maayo kokkoowo
ndiyam mbuurnam. Ingo yelkita hano danndorgal.
Ndiyam maggo no yuwa to joodorde Laamu
Alla e Njawdiri ndiin.



Naange naa lewru haajaaka nder mayre, ngam darjaaji
Alla yaynata nde. Njawdiri ndiin woni fitilla mayre.



Golloobe ko nyiddinii, fenoobe naa ko tunninta fuu,
naatataa nder mayre. Naatoobe nder mayre ngonni be
inde mum'en mbinndaa nder
dewtere mbuurnam,
dewtere nde
Njawdiri ndeen.



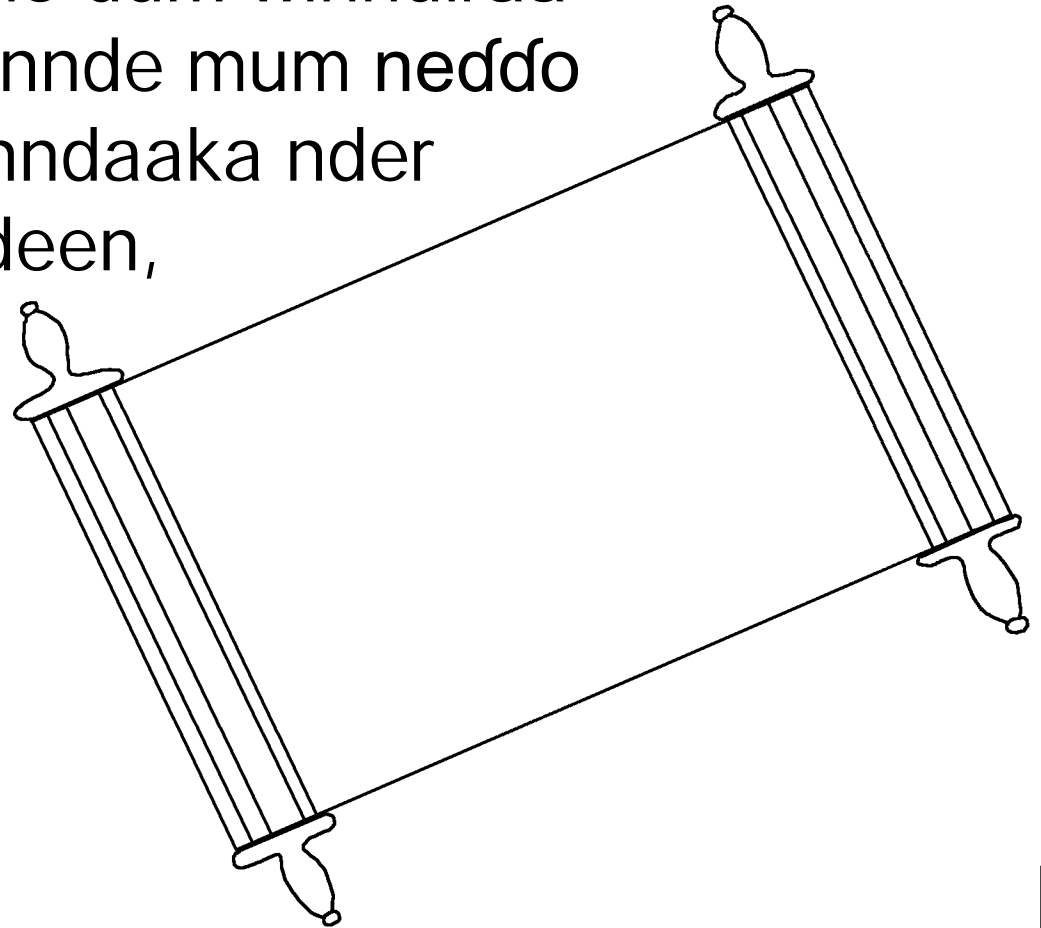
« O moytan gondi mabbe fuu. Maayde, mettorgal berne, simayeenjo he torra gom fuu keddataako, ngam kujje kidde deen fuu ndilli. »



Ko Alla hufi fuu tawataake nder hubeere ndeen kaden.
Joodorgal Laamu Alla he Njawdiri ndiin ngoni nder
mayre. Maccube Alla ndewan Alla. Be ngi'an yeeso
makko e innde makko duu dow tiide mabbe.



Ngi'umi kaden maaynoobe fuu, mawdo mabbe yahde
pamaro mabbe no ndarii yeeso joodorgal laamu ngaal.
Dewte gom piirtaa, nden dewtere mbuurnam, kam duu
fiirtaa, maaybe been kiitaa. Neddo mabbe fuu hiitaa
dow golle mum hano no dum winndiraa
nder dewte deen. Nyannde mum neddo
fuu mo innde mum winndaaka nder
dewtere mbuurnam ndeen,
no faddetee nder
peta hiite ngaan.



Nden nanumi *Ruuhu he banjeteedo oon no mbi'a :
—War ! Neddo fuu nando dum duu no wi'a : —War !
Neddo fuu domdudo wara, gidudo yarude ndiyam
kokkoojam mbuurnam fuu jaba yara dam forba.



Ngam Alla no hidi duuniyaaru sanne
wadi o hokkitiri *Biyiiko bajjo, heba
goondindo mo fuu to halku,
amma heba mbuurnam
nduumiidam.



Rooma 3:23 Himbe fuu ngadi hakke, be fuu be mbaawaa kebi dartinaaku Alla.

Rooma 6:23 Ngam njobdi hakke woni maayde, amma moyyere nde Alla hokkata forba ndeen woni mbuurnam nduumiidam nder kawtal he lisa *Almasiihu Joomiraawo meeden.

Ibrankoobe 9:27 Bii-aadama fuu, nde worre tan maayata, gada mum Alla hiito joomum.

Efeesu 2:8,9 Moyyere ndee duu wadi o hisini on ngam on ngoondini *Almasiihu. Kisinam daam yuwaay to moodon, dam kokkal Alla. Alla hokkaay on dam ngam golle moodon heba to neddo moodon fuu fiyu gabaare mum wi'a kam no goddum.



Rooma 10:9,10 Ngam nde nii a yardake a wi'i aan he hoore maada ko lisa no Joomiraawo, ngoondinaa nder berne maada ko Alla ummintinii mo he maayde, a hisintee. Goondinde nder berne no wada Alla wartira neddo jom dartinaaku. Fiirtude hunnduko mum yeeso himbe fuu wi'a lisa *Almasiihu woni Joomiraawo mum no holla ko neddo hebi kisinam.

Yahaaya 3:16,17 Ngam Alla no hidi duuniyaaru sanne wadi o hokkitiri *Biyiiko bajjo, heba goondindo mo fuu to halku, amma heba mburnam nduumiidam. Alla lilaay Biyum nder duuniyaaru ngam o hiitoo ndu, amma ngam ndu hisaa daliila makko.



1 Yahaaya 5:11-13 Ndaa ceedaaku nguun nii : Alla hokki en mbuurnam nduumiidam, har Biyiiko duu kebirten dam. Neddo fuu wondi he *Bii-Alla, hebi mbuurnam dam. Mo wondaay he makko duu hebataa dam. Onon goondinbe *Bii-Alla been, mi winndani on dum fuu ngam anndon ko on kebi mbuurnam nduumiidam.



Yahaaya 14; 2 Korintu 5; Bannginol 4, 21, 22

Storyline by: Edward D. Hughes

Illustrated by: Lazarus
and Alastair Paterson

Adapted by: Sarah S.

Fulfulde Western Niger NT (fuh) © 2018, Wycliffe Bible
Translators Inc.; © SIM Niger, 2018

<https://www.bible.com/bible/2380/MAT.1.FUH>

©2026 Bible for Children, Inc.

www.M1914.org

www.bibleforchildren.org

