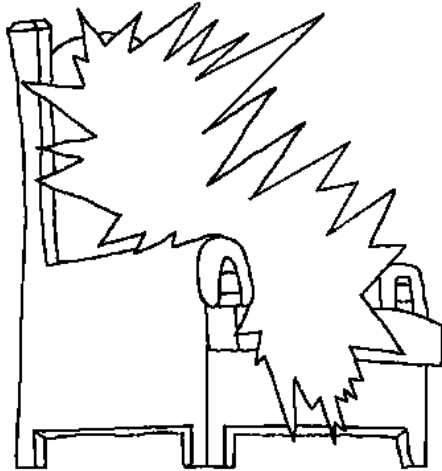


Bi-sarangni Sastro Donmesoka



Salgi, Isolni nitobegipa nok



Seskagipa: Edward Hughes
dake mesokskagipa: Lazarus

Pe-skagipa: Ps Jim N Sangma, Bicky Marak
ra•chimonge seskagipa: Sarah S.

Bak 60 golponi baksotdok (60) gipa golpo

www.M1914.org

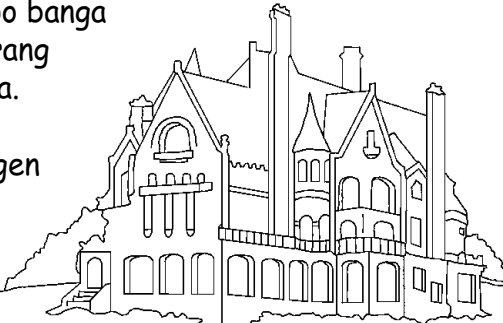
Bible for Children, PO Box 3, Winnipeg, MB R3C 2G1 Canada

License: na-a ia golponi kitapko copy ka-e chapa ka-ae jakkalna man-gen, indiba palaniko dakna manjawa.

A-chikku

Garu

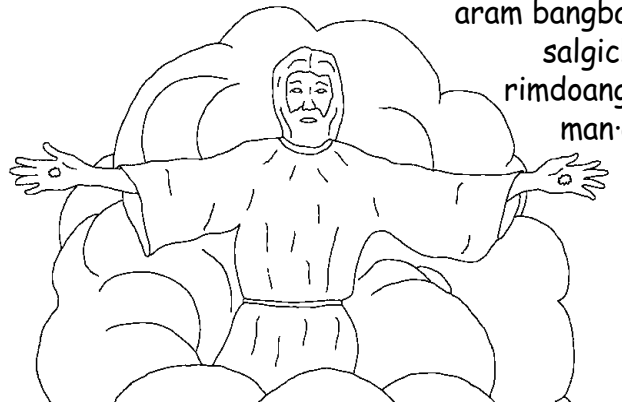
Jisu a-gilasako janggi tangmitingo uni
sninggiparangna salgini gimin aganaha.
UA salgiko "Apani nok" ine
agana aro ua biapo banga
dongchakani nokrang
donga ine aganaha.
Ia dongchakani
nokrangara bilongen
dal-a aro nitoa.



Salgini nokrang a-gilskni nokrangna
bate namen dalbata aro nitobata.

1

Jisu agana, "anga na-simangna dongani biapko
dakna re-nasia aro anga re-ange nasimangna biapko
daksoode indide rebapile nasimangko an-tangona
rimanggen". Jisu siaoni chakatpilani jamano salgichi
re-angbebeaha. Sninggiparang Uko nirikengon Jisu
aram bangbango
salgichina
rimdoangako
man-aha.

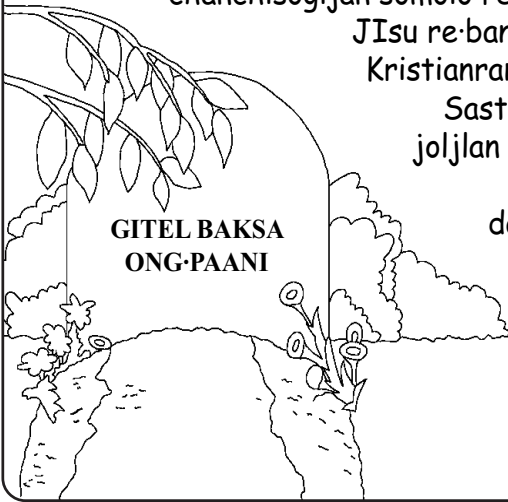


2

untalan, Kristianrang Jisuni re·bapile
rimdona ku·rachakaniko gisik ra·aha. Jisu Mandeni
chanchisogijan somoio re·bapilgen. Indiba

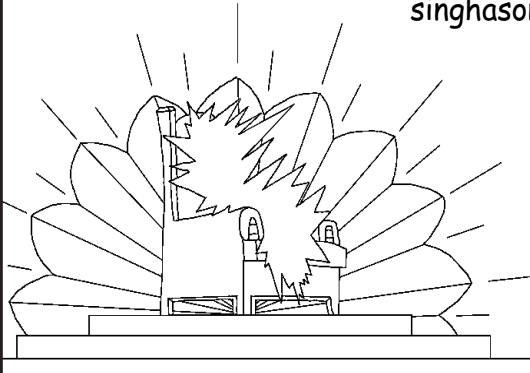
JIsu re·bana skang sianggipa
Kristianrangna mai ong·gen?

Sastroo agana uamang
joljlan Jisu baksa ong·na
reanggen. Be·eno
donggijaniara Gitel
baksa dongpaani
ong·a.



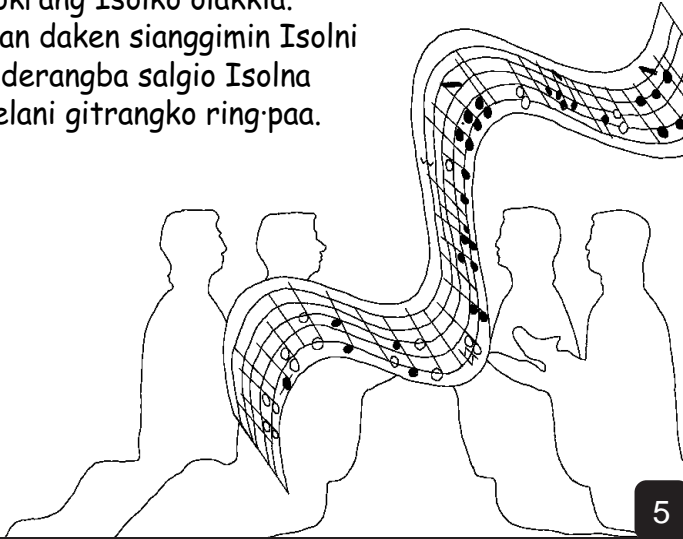
3

Satroni bonkangipa ki·tap Parape·a salgini
mairongpila ong·aniko agana. Dingtangmancha
aiao inmanpile maironga ong·aniara Salgira ISolni
nok ong·a. Isolde je biapoba donga indiba Uni
singhasonra salgio ong·a.



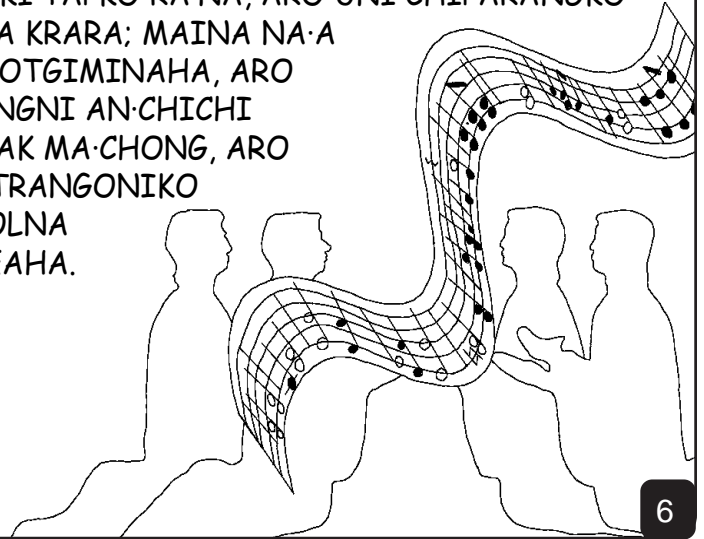
4

Salgio sagraerang aro salgini
kotokrang Isolko olakkia.
Apsan daken sianggimin Isolni
manderangba salgio Isolna
mitelani gitrangko ring·paa.



5

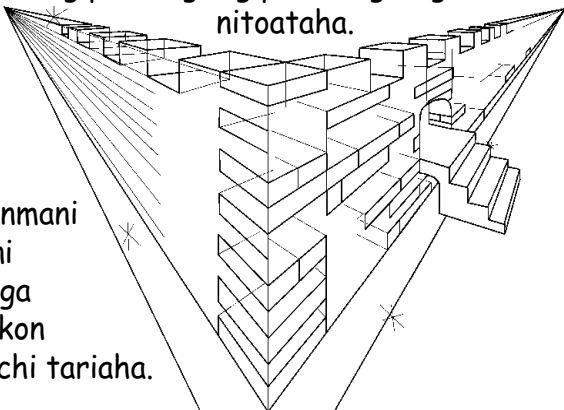
uamangni Isolna ringgipa gitni kattarangara, NA·A
UA KI·TAPKO RA·NA, ARO UNI CHIPARANGKO
ONA KRARA; MAINA NA·A
SO·OTGIMINHA, ARO
NANGNI AN·CHICHI
PILAK MA·CHONG, ARO
JATRANGONIKO
ISOLNA
BREAHA.



6

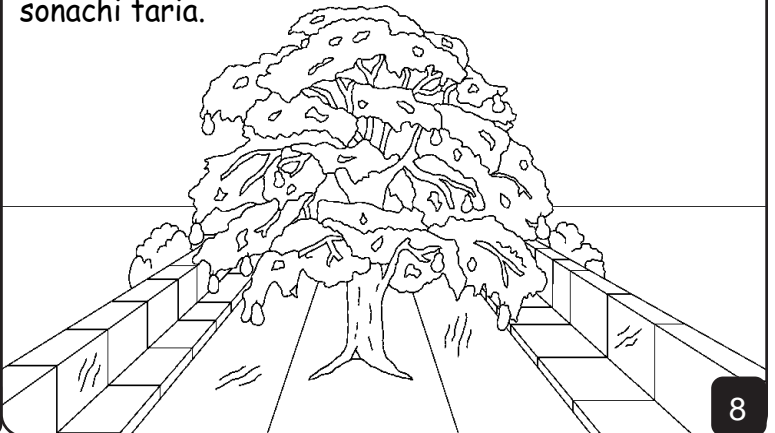
Sastroni bonkangipa jakrangchipak Salgiko "Gital
Jerusalem" ine janapa. Iara namen bilongen dalgipa
aro apalchipak bilongen chubegipa guare nganggipa
song ong·a. Ua guareko ainagita dake rongtalgipa
jasper aro gipin rongtalgipa ro·ongrangchi
nitoataha.

Songjinmani
guareni
cholguga
geantikon
muktachi tariaha.



7

muktachi tarigipa cholgugarangko pangnaba chipja.
Hai an·ching ning·achi nape niwilwale nina ... WOW
Salgira ning·achi bilongen nitobata. Songjinmako
janera gita ching·gipa sonachi rika. Sorokrangkoba
sonachi taria.



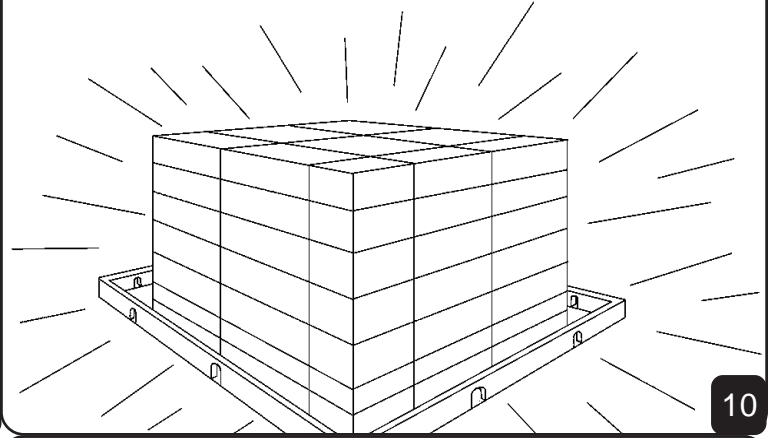
8

namen nitogipa, jojrangjrang dake grikgipa janggini chi Isolni singhasononi joka. Jokenggipa chibimani samtangtangchin bol janggi dongachim, jekon skanggipa Eden bario nikachim. Ia bol namen dingtanggipa ong-a. Jaantian ia bol janggi dingtang dingtang dakgipa rokom chi-gni biterangko nanga. Aro ia boljanggini bijakrangara a-songni an-sengatanina ong-a.



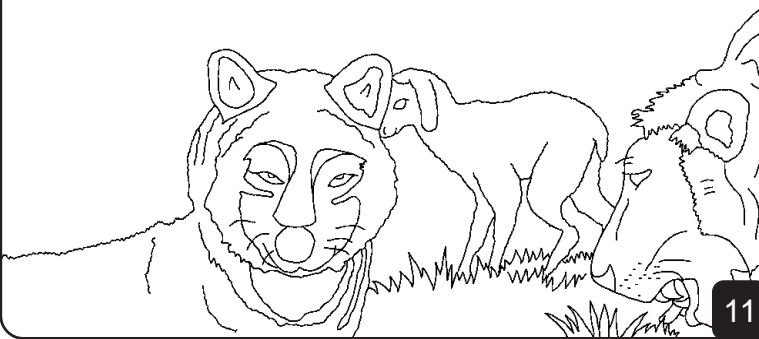
9

Salgiode teng-aniko man-a salja rangko nangjaha. Isolni rasongan uano tengsugapaia. Uanode pangnaba wal dongja.



10

Salgiode matburunrangba dingtanga. Uamang gimikon name bamatna man. A aro mikmala. Se-el aro mesrang apsan rorime samsikon cha-a. Bilakgipa singhoba matchu bi-pagitan apsan jengkon cha-a. Gitel agana, "Uamang angni rongtalgipa a-brio sadikataniko aro ni-siataniko darangnaba dakjawa."



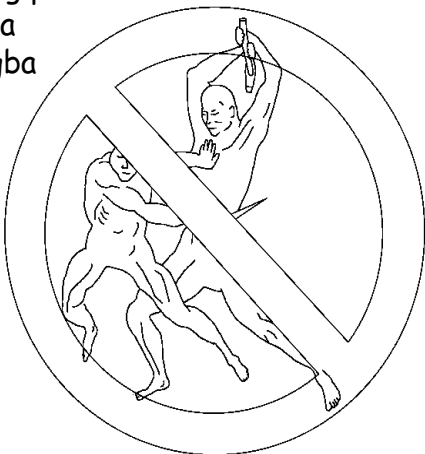
11

an-ching niwilwale nigenchimode Salgio bang-a gimaarangko nikna man-gen. Ka-onangani kattrangko knajaha. Darangan dakgrik dinggrikjaha aro an-tangna chanchiaigipa ong-jaha.



12

Salgio chaugiparangba dongjani dogarangko tekarang dongja. Salgio tol-ani, so-otani, montol dakani aro gipin namgijagipa manderangba dongja. Salgio mamung dakgipa rokomni papan dongja.



13

salgio Isol baksa mikchi ong-ani dongjawaha, Basakoba a-gilsako janggi tango Isolni manderang dal-a dukrangni a-sel grapa. Salgiode, Isol pilak mikchirangko ipaktogen.



14

Salgiode sianiba dongjawaha. Uano Isolni manderang jringjrotnan Isol baksa ongnok. Salgiode ka'limani dongjawaha, grapani dongjawaha, sadikani dongjawa.

Saa ding-ani dongjawa, ekgrikani dongjawa, gopani dongjawa. Sakantian salgiode Isol baksa jringjrotna ku-si ong-gen.



15

Pilakna bate nambatsranggipade, salgiara Jisu Kristoko jokatgipa ine bebera-giminrangna aro Uko Gitel ine manigipa pilak me-a aro me-chik (aro dalgimin) rangna ong-a. Salgio ki-tap kingsa donga jekon Mes bi-sani Janggini Ki-tap ine minga. Ua ki-tapo manderangni bimungko see donanian gapa. Na-a masiama ua ki-tapo sani bimungrangko sea? Jisuo bebera-giparangni bimungko.

Nangni bimung uano dongama?



16

Sastro-o salgini gimin bon-chote janaggipa kattarang bilongen aiao in-mangipa okamani kattarang ong-a. "Aro Gisik aro namchik agana, 'Re-babo'. Aro sakanti knagiparangan aganchina 'Re-babo'. Aro ringna sikkiparang re-bachina, aro jemangan skienga,



uamang chi janggiko indinari ring-china."

17

Salgi, Isolni nitobegipa nok
Isolni kattarangni golpo, Sastro
nikna man-gen

Johan 14; 2 Korinthingna 5;
Parape-a 4, 21, 22

"Nangni kattarangko oatani seng-ako on-a."
Git 119:130

18

An-ching namgijko dakaha ine Isol masia, jean pap ong-a. Papni dormahara sia ong-a.

Isol an-chingna inditan ka-saaha, Ua an-tangni saksakamkam de Jisuko chisolo sienba an-chingni paprangna groko chotchina watataha. Jisu tangchapilaha aro salgichi doangpilaha. Daode Isol an-chingni paprangko kema ka-na man-aha.

Na-a nangni paponi an-pilna sikgenchimode, iako ISolna aganbo, Ka-sara ISol, JIsu angna sienba siani tangchapilaha ine anga bebera-a. Ka-sapae angni janggi tanganiona re-bapabo aro angni pap rangko kema ka-pabo jedakode anga gital janggiko man-agita amgen aro jringjrotnan nangni ong-gen. Nangni de ong-e janggi tangna angko dakchakpabo.
Amen. Johan 3:16

Sastroko salanti poraibo aro Isol baksa agangrikrongbo.