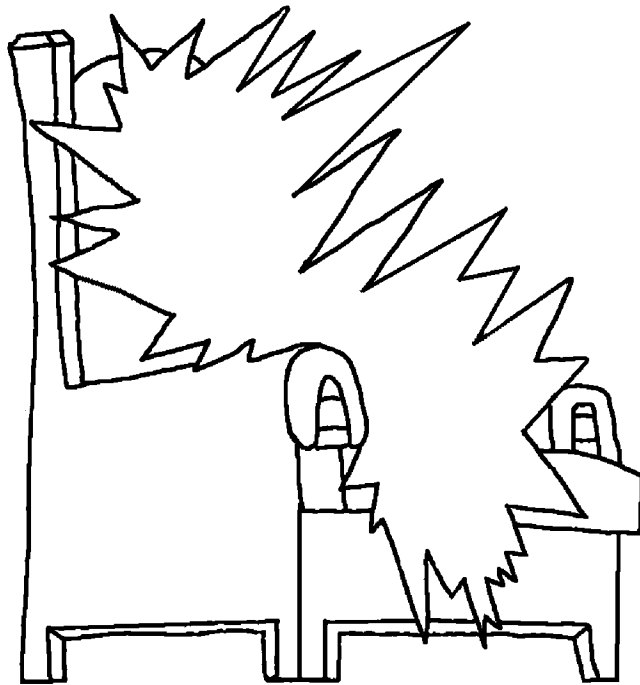
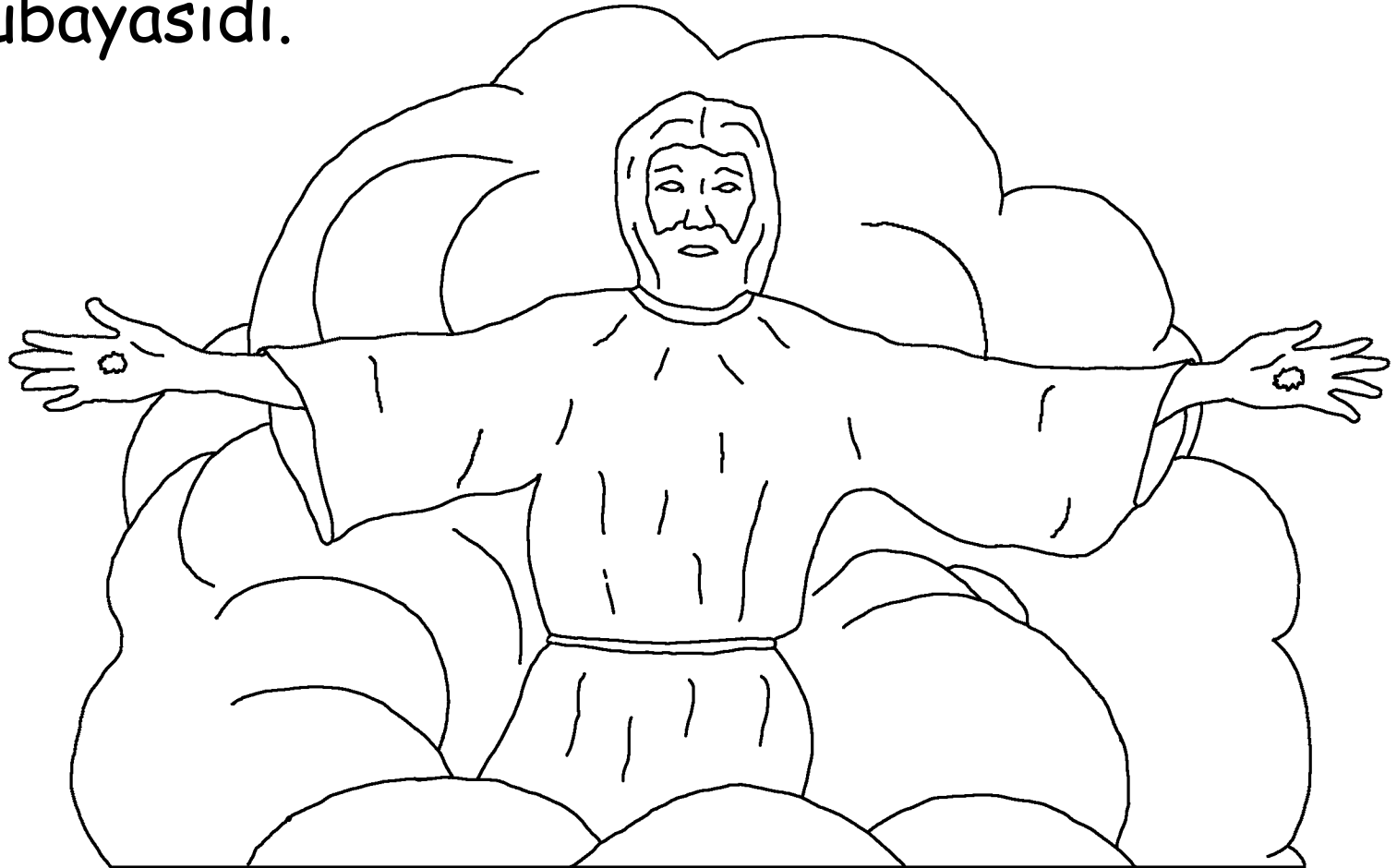


[www.BibleForChildren.org](http://www.BibleForChildren.org)

# Iyoni 14



Yeisu tuwaina kana, 'Taabu nukotomi taitáiya iiuyōi.  
Yaubada bogina koonumise, tauna yau nakae  
konuumisēgu. Yau Tamagu ina vada goi aba kaiyaka  
badabadaidi sikaaiyaka. Neta moe nakae geya, bei  
alatuwokoimi. Yau anonoina bei imi kaba kaiyaka  
akatubayasidi.

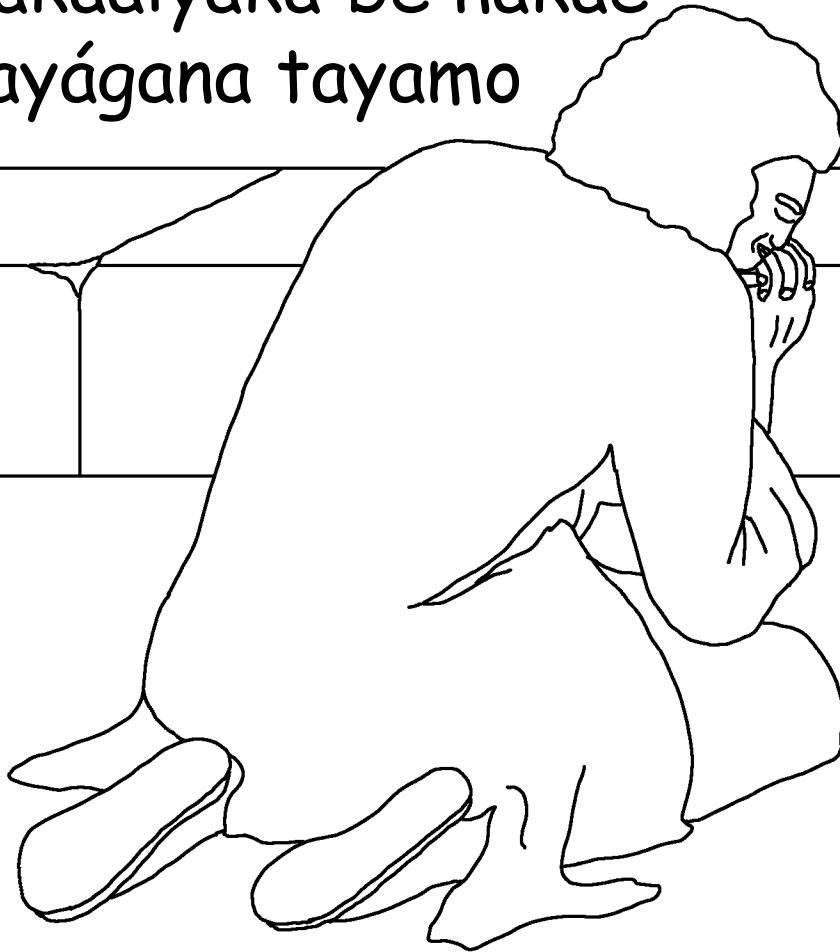


Neta ana imi kaba kaiyakoyadi akatubayasidi, niga bei akaluvilamna ama akabimi yau yaigu goi kokaaiyaka bego nako goi yau akaaiyaka, e komi taiyao takaaiyaka.



Yau Iyoni, siyami be nakae imi tosavaiyuwo ida  
Yeisu taiyao pasina ame nakae: Ada gedageda  
tayamo, ida Tomoya ina kalibúbuna goi

taiyao takaaiyaka be nakae  
ida mesayágana tayamo

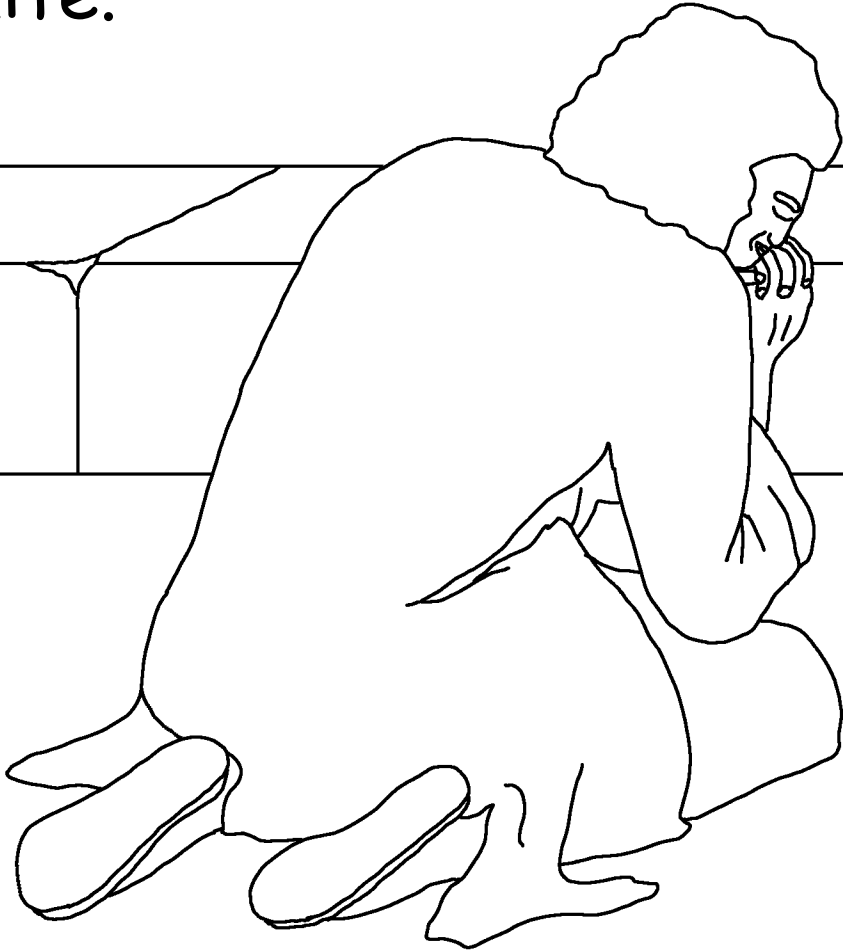


ida mou pasina.



E, boi tomota siyoisigu, sinavegu simla Patimo  
goi sikaisobuyegu akaaiyaka unana Yaubada  
ina livala, moe Yeisu ina talavaita,

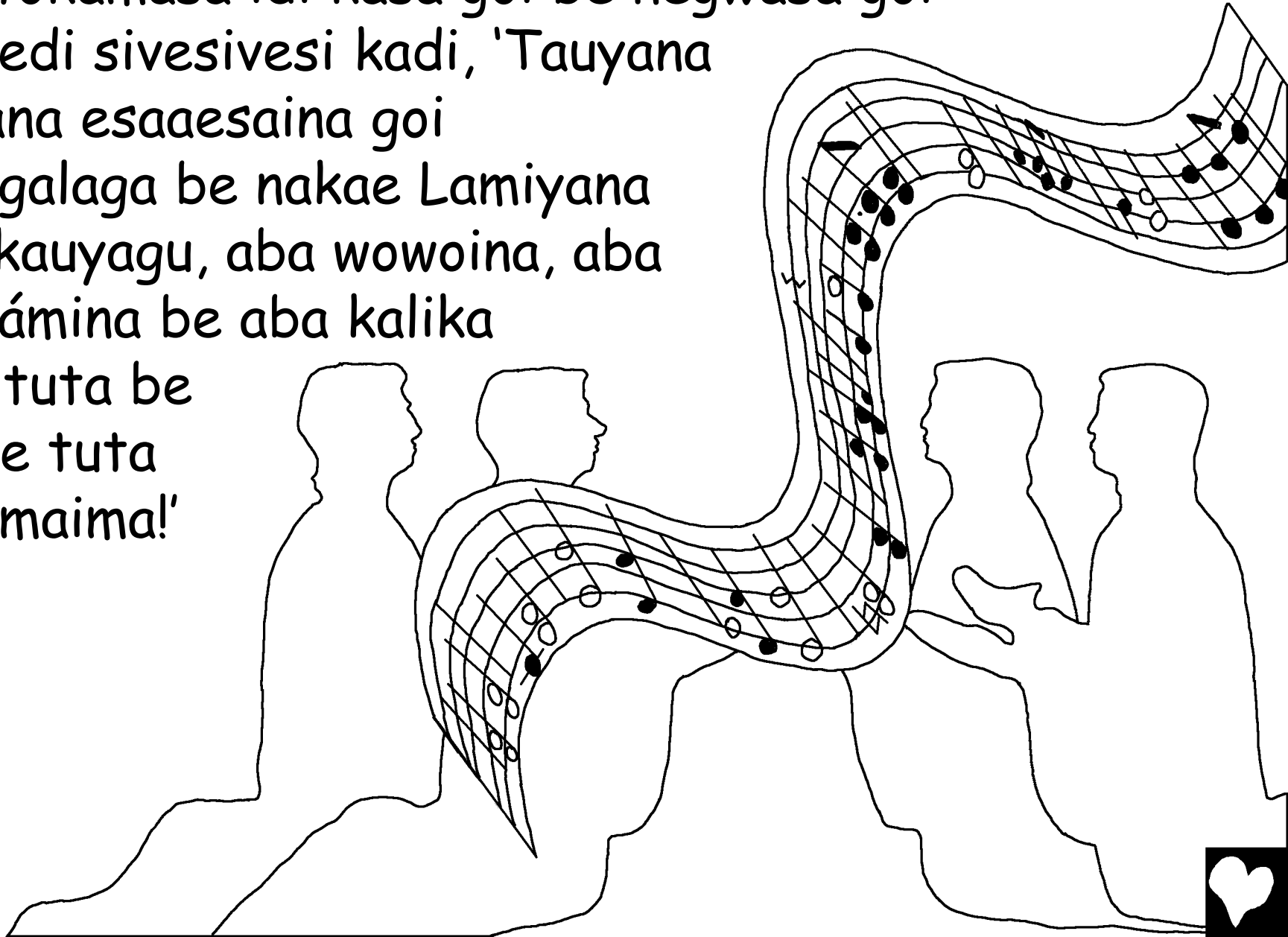
ataalavaite.



Mainao iyoisigu, e tayamo kébana esaaesaina yábana  
goi agite ikaaiyaka, yatana goi Tolovina itulaagalaga.



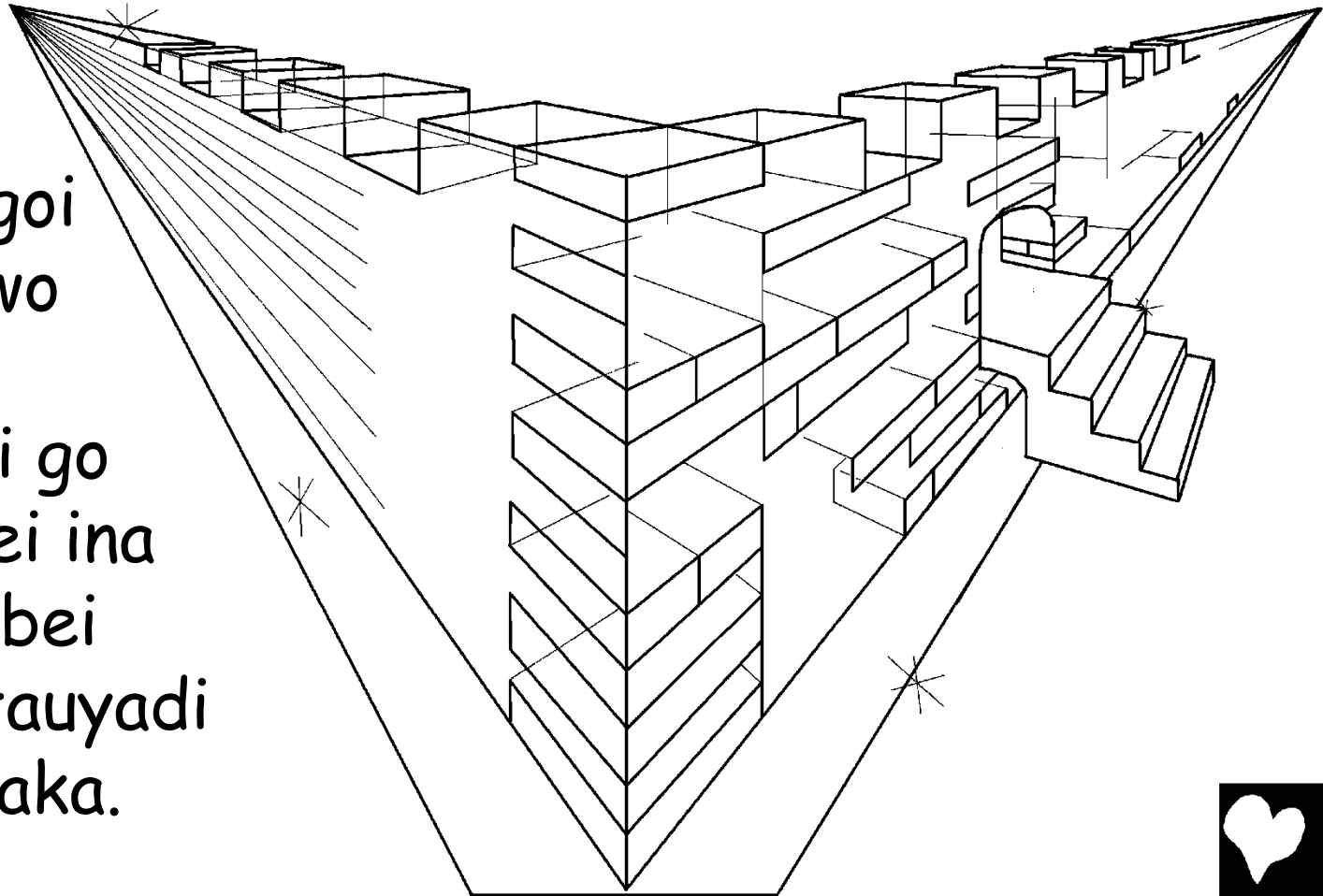
Sivesi ikavava, madágina liliudi yábana goi, poyapoya  
goi, tokámasa idi kasa goi be négwasa goi  
anovedi sivesivesi kadi, 'Tauyana  
kébana esaesaina goi  
itulagalaga be nakae Lamiyana  
aba kauyagu, aba wowoina, aba  
taimámina be aba kalika  
ame tuta be  
nakae tuta  
simamaima!'



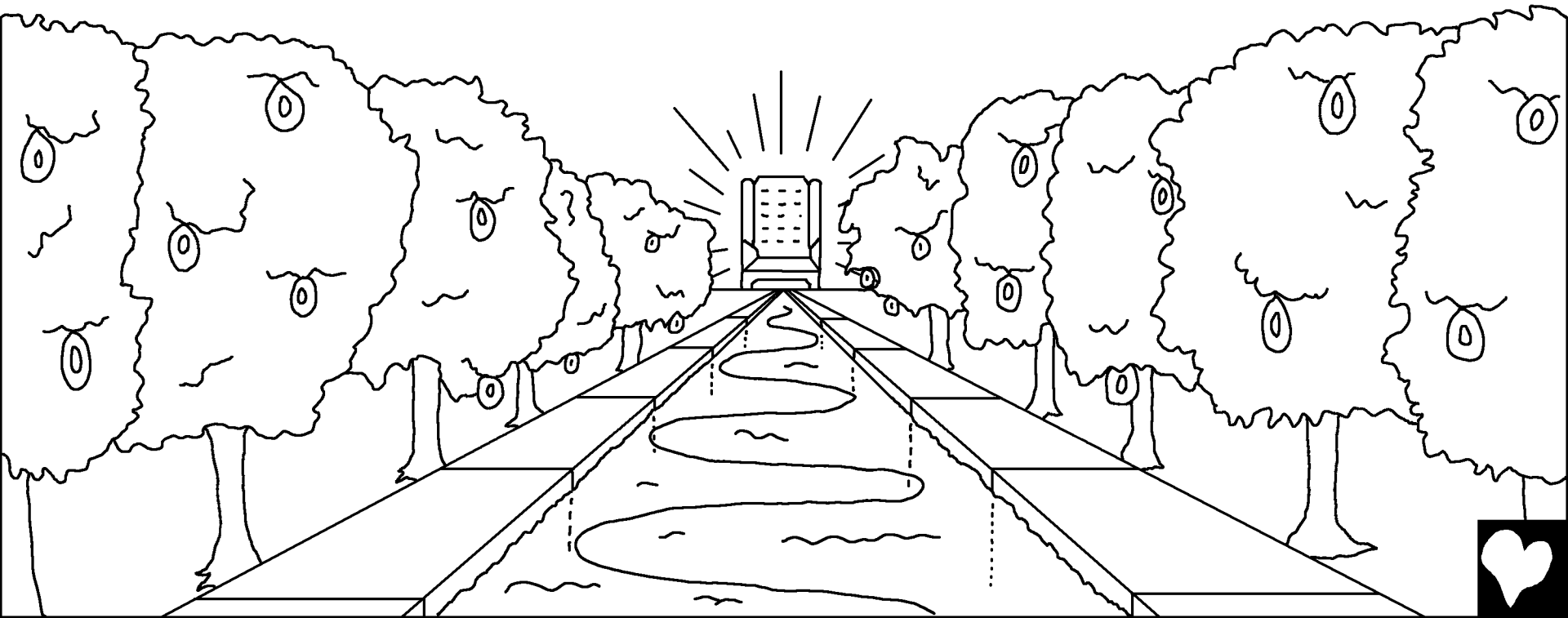
Niga nakae agite moe Yerusalema vau go, asayana  
Yaubada yábana goi isou imamaima. Asayana bogina  
ivapase tonai vavina nakae bego monena ivalobode.  
Amo ikavava, níyana tayamo kébana esaaesaina goi  
anove kana,

'Kunōve!

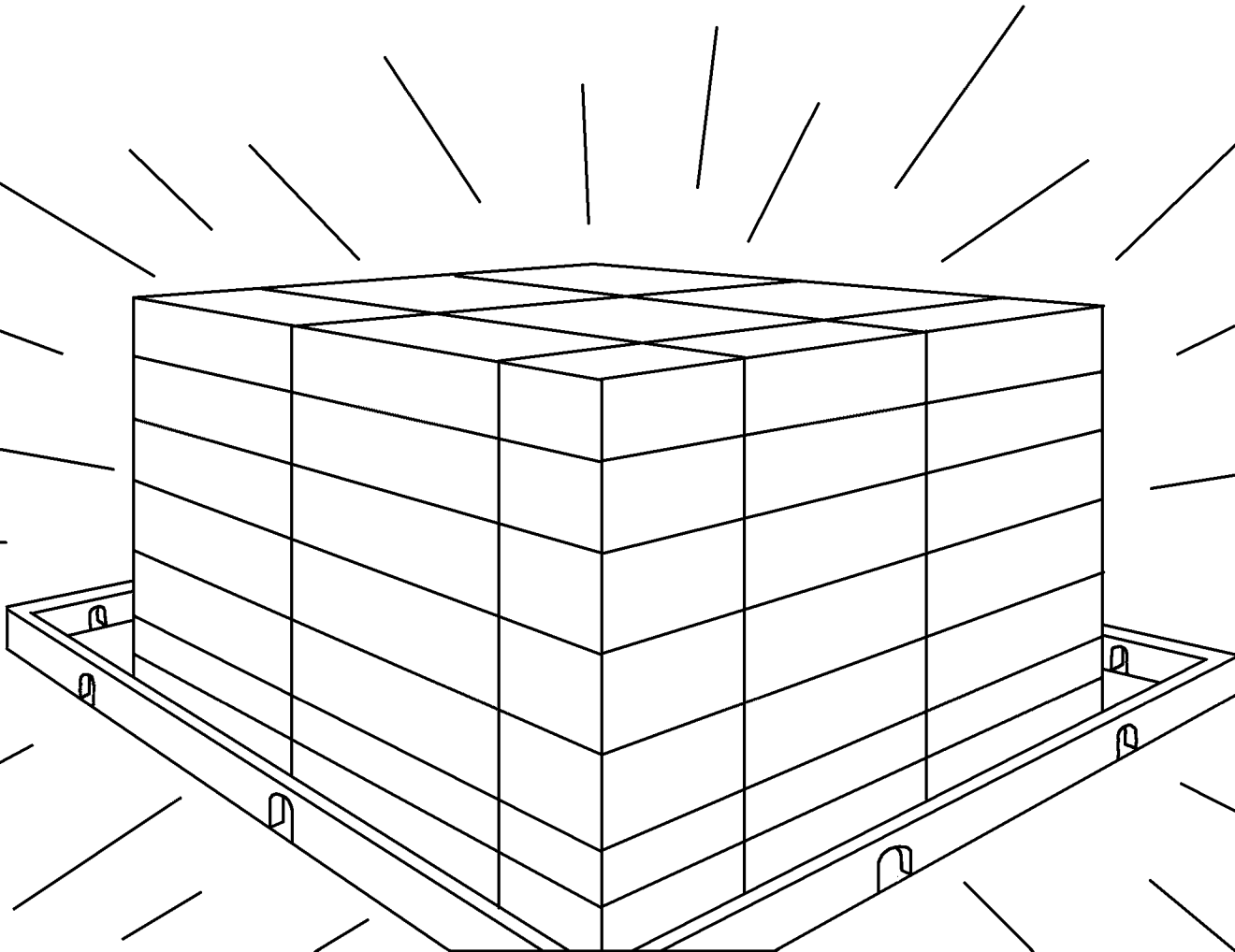
Yaubada ina  
tomota yaidi goi  
ikaaiyaka. Tuwo  
yaidi goi bei  
ikaaiyaka. Kidi go  
tomotayadi bei ina  
bodao go, iya bei  
idi Yaubada; tauyadi  
taiyao sikaaiyaka.



Amo ikavava, kebadi esaesa goi idausobu ima asayana  
nauyayanaina enao goi idaudau. Bwaeyana dadavina  
dadavina goi yawana vata alovaina sitaoya.



Toni kasa geya latuwodi níyala be tukówana bego sitapasigidi. Moitamo. Yaubada ana káeyana tomoeeyalina itapasigidi o tadigo kada, 'Lamiyana moe toni kasa idi rampa.'



Go tomota ma baailidi, tomota kaga aba kalagíwala  
siguinuwedi be topola nakae asayana goi geya  
sisiusiu. Avatauwa neta  
yoidi Lamiyana ina buki  
yawana vata manuna goi  
bogina sikaaiyaka, e  
aditava madi  
tagona sisiu.



Mataiudi bei isekukudi.  
Ámasa, nuwomou, táiya be  
nakae gedageda geya tuwaina  
sikaaiyaka. Amo sinapuyadi  
aiyako bogo ana sinapu go,  
aiyako bogoyana bogina  
ikavava.'

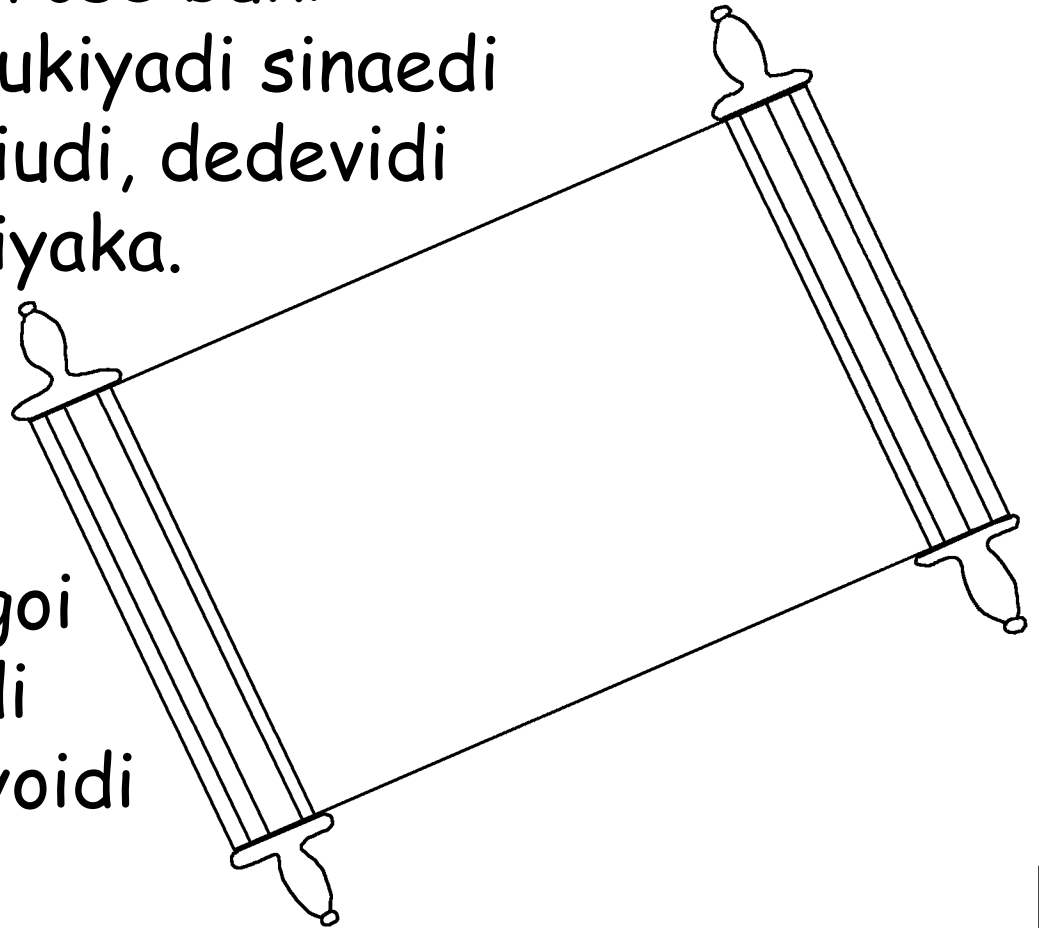


Tuwo amoko goi Yaubada ina katubolata bei ikavava.  
Go asayana goi Yaubada be Lamiyana ke badi esaesa  
ikaaiyaka, e Yaubada ina bei sitaimamina Tauyana  
yaina. Tauyana maisina bei sigite go, Tauyana yoina  
dabadi goi bei  
ikaaiyaka.

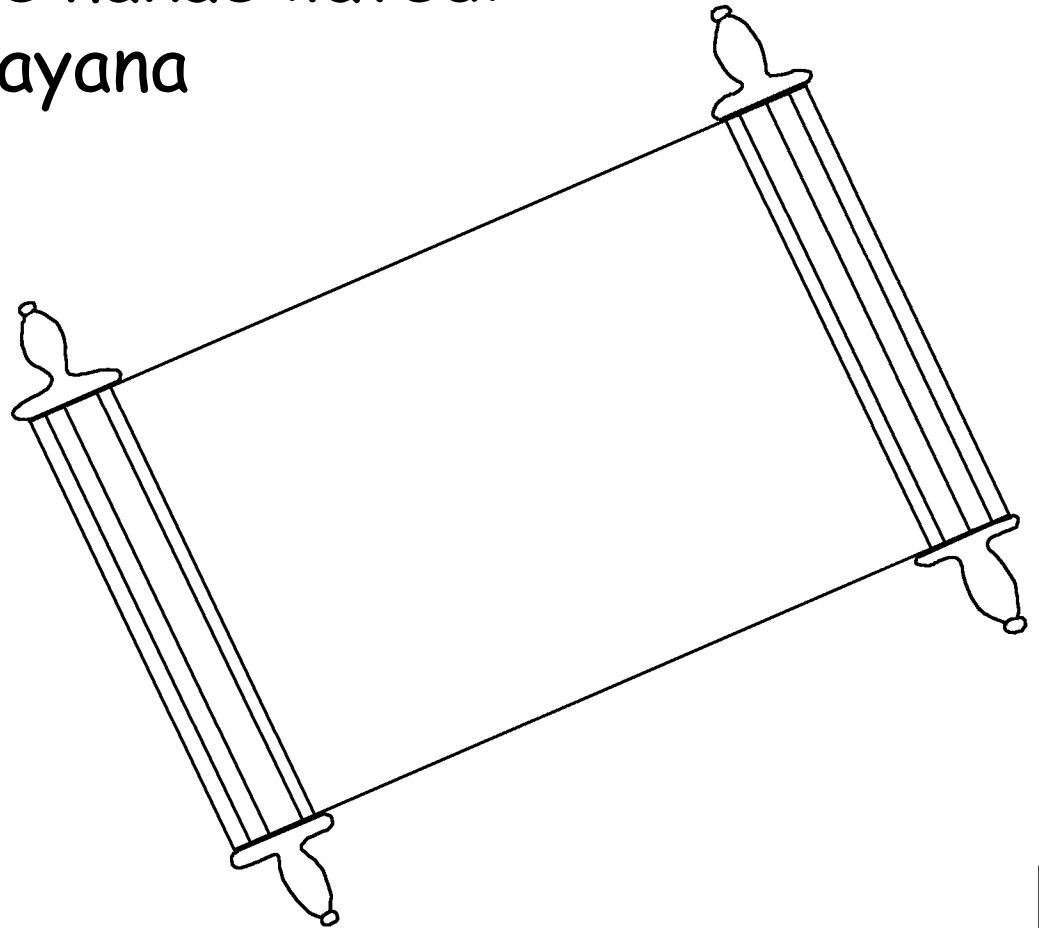


Sisáwala ikavava, tokámasa liliudi agitedi, nakona maa yoidi o youtagau, Yaubada kebana esaesainayana matana goi siitaoya. Amo tauyadi négwasa goi sikámasa be nakae tokámasa idi dadava poyapoya goi sima. Siitaoya go, anerose buki sikatupaevedi. Amo bukiyadi sinaedi tomota idi guinuwa liliudi, dedevidi be goyogoyoidi, sikaaiyaka.

Ago ituli ta buki nakae sikatupáeve, bukiyana moe yawana vata bukina, sinaena goi avatauwa neta yawoidi vata bei sibabane, e yoidi sikaaiyaka.



E tokamasayadi liliudi sima kébana matana goi  
siitaoya go, Yaubada bukiyadi igitedi, kaga nakae boi  
idi guinuwa, e amo guinuwayadi goi tamo tamo  
itakinoidi. Avatauwa neta yoidi yawana vata bukina  
goi geya sikaiyaketa, e nakae ilavedi  
sisou yeu sabeniniminayana  
gagaina toina  
sinaena goi.



Baloma Kimaasabaina be nakae Yeisu ana  
totugugunayao moe ina tonai vavina nakae sidigo kadi,  
'Kūma!' Komi ame bukiyana ana totaiyakekayao kodīgo  
kami, 'Kūma!' Avatauwa komi neta dava kokamakámasa  
go, latuwomi, e kōma bwae maa yawoina geya ana

maisamo  
kokābi,  
konīm!



Ame moitamo. Yaubada  
imatakoiyeda ame nakae: Natuna  
kaakesaina ikasale bego avatau neta  
inumise, bei geya ikamasete, go  
sem maa yawoina vata.



Roma 3:23 Madabokiida, Diyuu be Totuyoyowo, bogina tagoyo, e Yaubada ana tomoeeyalina tapoikiki bego yaida goi itakanukanunu go, geya itoboinedeta.

Roma 6:23 Moe moitamo. Goyo ana katumapu moe ámasa go, Yaubada ina yabobona iviniibesoida moe yawoida vata ida spwagógana ida Tomoya Yeisu taiyao pasina.

Iberiu 9:27 Kita tomota liliuda ada lovina ikaaiyaka bego sivatayamo bei takámasa namlieta takínona ana tuta.

Epeso 2:8,9 Moitamo. Yaubada ina kanuwóiya goi bogina iyaveda numisa pasina go, yavayana unana moe geya kita toinida ida guinuwa goi geya. Moe Yaubada ina yabobona goi. Geya ida guinuwa goi geya, govila bei tagágasa.



Roma 10:9,10 bego neta sopada goi takatomoyae kina Tomoya be nakae ateda goi tanumisa bego Yaubada tokámasa yaidi goi ikaitáoe, e ada yava bei tababane. Moitamo. Ateda goi tanumisa, tauna kita Yaubada matana goi kiboobosida. E sopada goi Yeisu takatomoyae bego Tauyana Tomoya, e bei ada yava tababane.

Iyoni 3:16,17 Ame moitamo. Yaubada imatakoiyeda ame nakae: Natuna kaakesaina ikasale bego avatau neta inumise, bei geya ikamaseta, go sem maa yawoina vata. Moitamo. Yaubada Natuna ietune ima poyapoya ame goi geya kada bego da poyapoya itakinoida toogoyoida ida goyo pasidi geya, go sem bego Natunayana goi iyaveda.



1 Iyoni 5:11-13 Ina talavaitayana ame nakae: Yaubada yawoida vata bogina ivinida go, yawoida vatayana ida Natuna taiyao pasina tababane. Avatauwa neta Yaubada Natuna taiyao siispwagógana, maa yawoidi vau. Go avatauwa neta Yaubada Natuna taiyao geya sispwagogoneta, e geya yawoidimo. Ame livalayadi bogina aginidi siwo yaimi bego komi Yaubada Natuna ana tonumisayao bei koyagoi bego bogina maa yawoimi vata.



Iyoni 14; 2 Korinta 5; Nuwogau 4, 21, 22

Storyline by: Edward D. Hughes

Illustrated by: Byron Unger, Lazarus  
and Alastair Paterson

Adapted by: E. Frischbutter; Sarah S.

Gumawana Bible (gvs) © 2019, Wycliffe Bible  
Translators, Inc. All rights reserved.

<https://www.bible.com/bible/3576/MAT.1>

©2026 Bible for Children, Inc.

[www.M1914.org](http://www.M1914.org)

[www.bibleforchildren.org](http://www.bibleforchildren.org)

