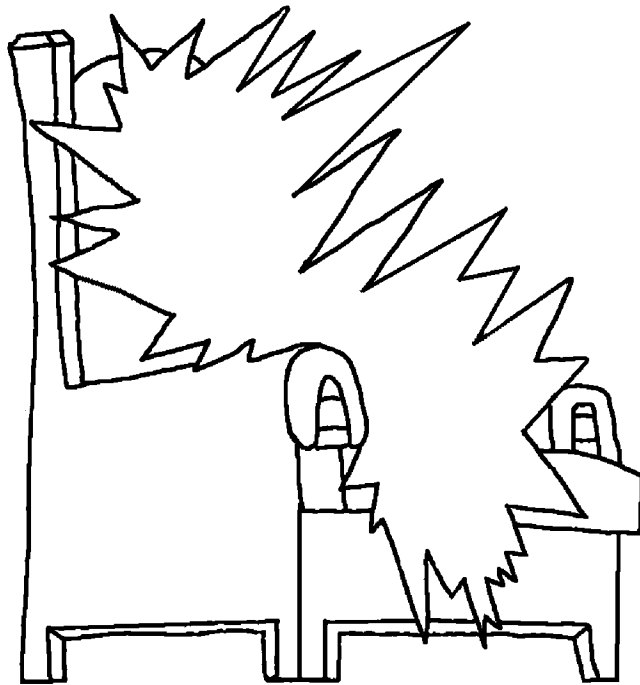


www.BibleForChildren.org

Yokaana 14



Awo oYesu n'akoba ati, "Timweraliikiriranga. Inywe mwikiririrye mu Kibbumba, era na nze zena munjikiririryemu. Omu nyumba ya Bbaabba mulimu ebisenge bingi, era njaba okubategekera ekifo. Singa ekyo tikibbaire kituuce, tinandibakobere nti njabayo okubategekera ekifo."

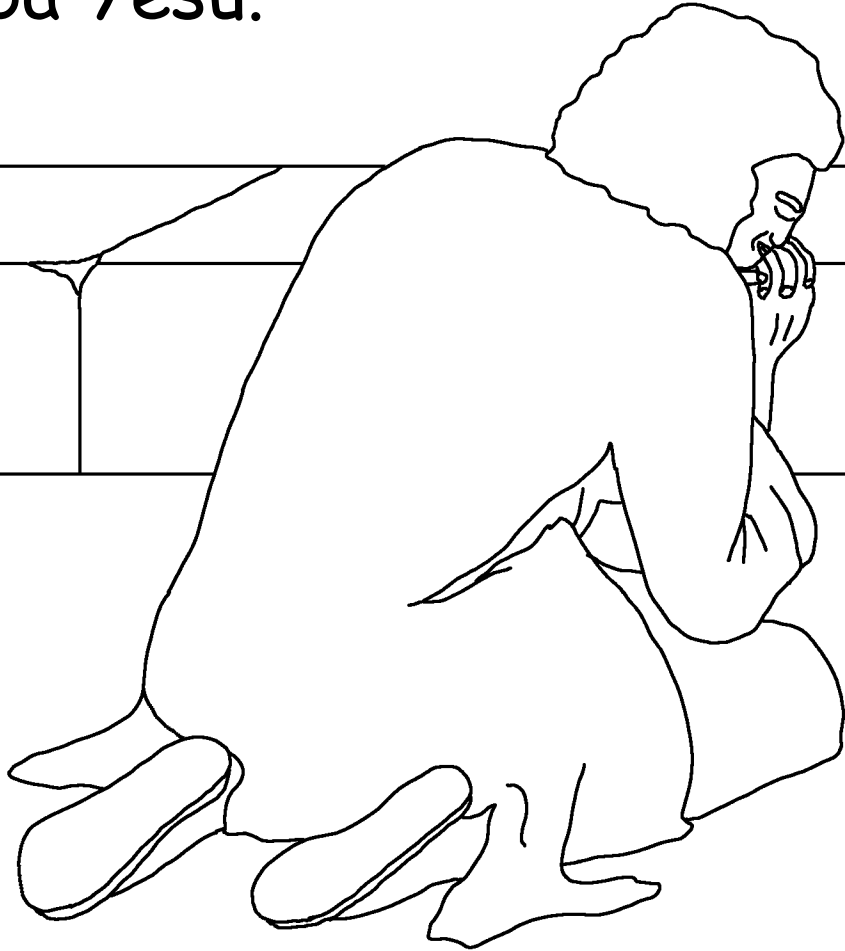


“Era owenalimala okubategekera ekifo, naliira ni mbatwala ni mubbanga na nze kaisi nywena ni mubbanga eeyo eginalibba.”



Ninze oYokaana, owoluganda agabanira aamo na
inywe omu kugada, omu bwakabaka, era n'omu
kuguminkiriza ebitusuna olw'okubba

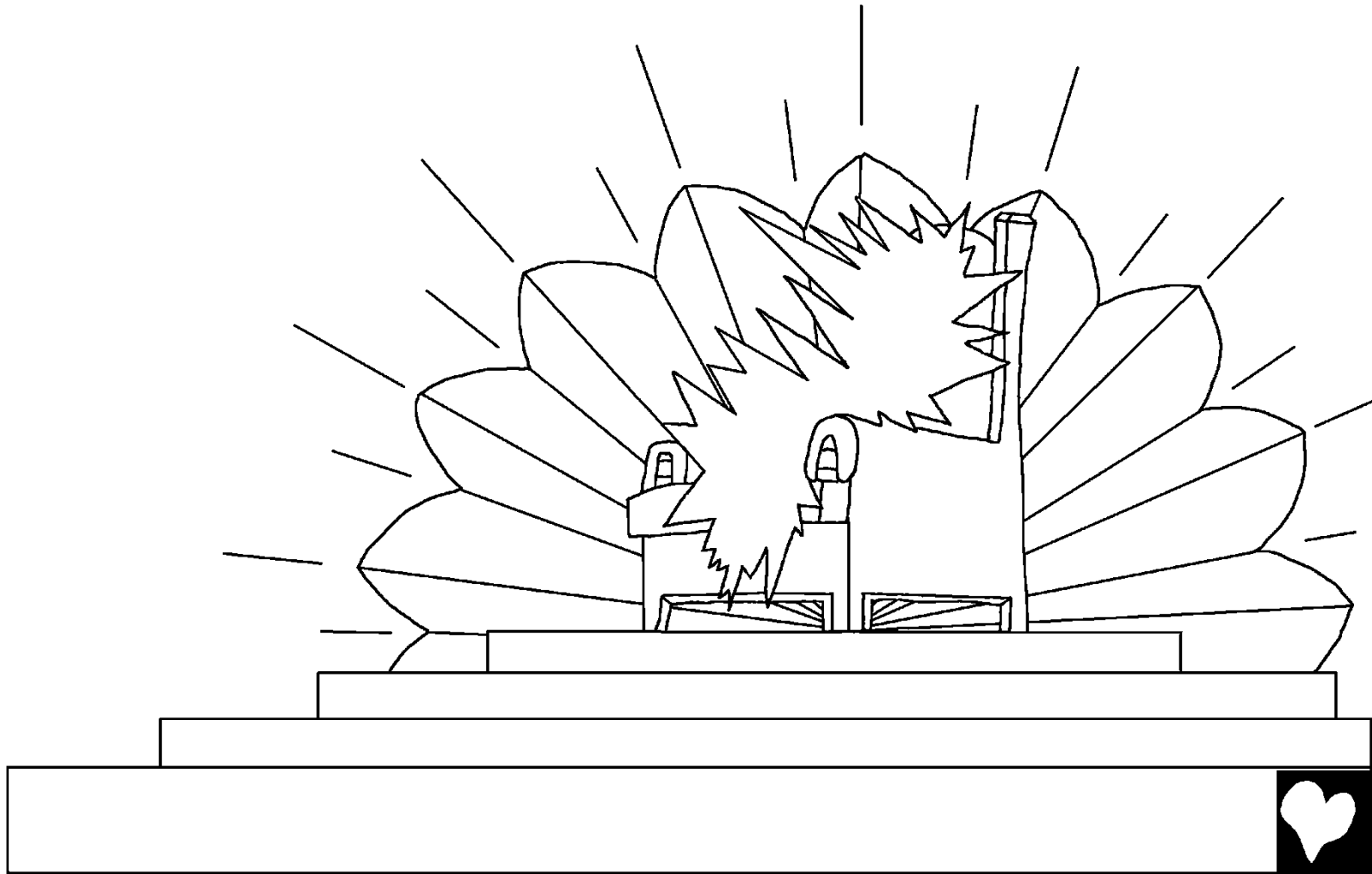
abantu ba Yesu.



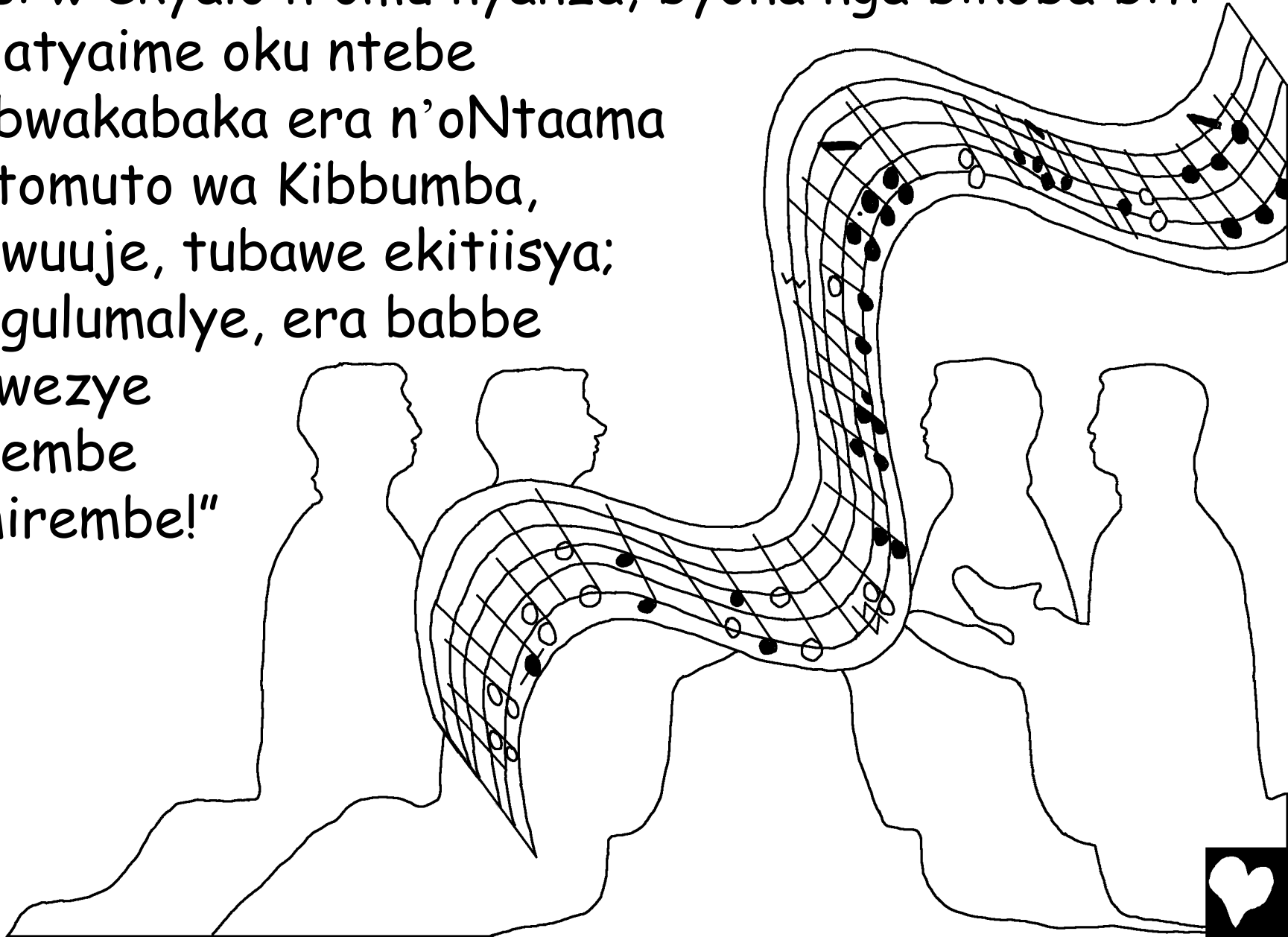
Nabbaire oku kizinga e Patumo omu busibe,
olw'okukobera abantu ekibono kya Kibbumba,
era n'ebifa oku Yesu.



Amangu ago oMwoyo oMweru n'antoola aawo, ni mbona entebe ey'obwakabaka egibateekere omwigulu, era ng'oku ntebe eyo kuliku agityaimeku.

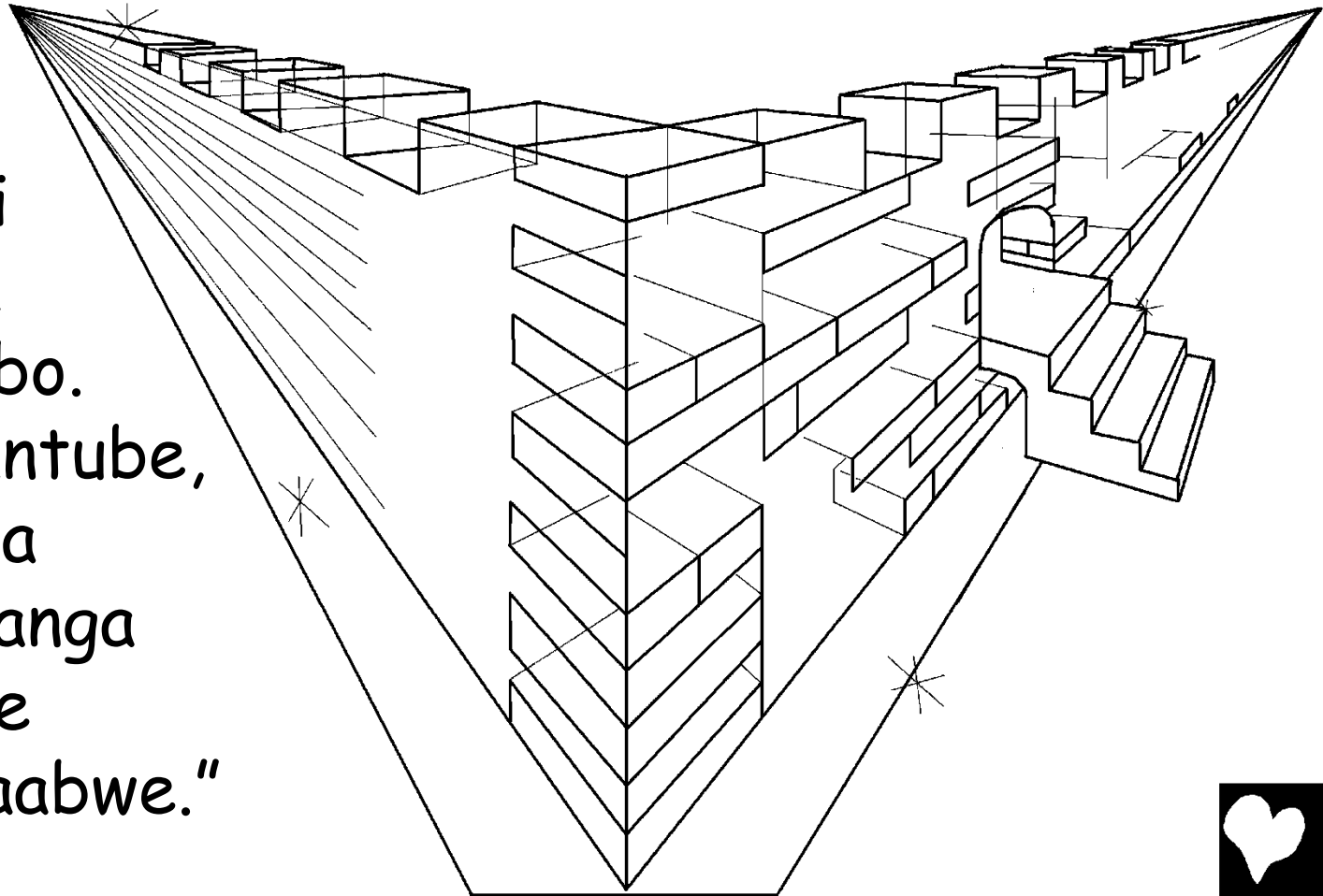


“Era ni mpulira nabuli kibbumbwe omwigulu n’oku kyalo,
n’ansi w’ekyalo n’omu nyanza, byona nga bikoba biti:
Oyo atyaime oku ntebe
ey’obwakabaka era n’oNtaama
oMutomuto wa Kibbumba,
tubawuuje, tubawe ekitiisya;
tubagulumalye, era babbe
n’obwezye
emirembe
n’emirembe!”

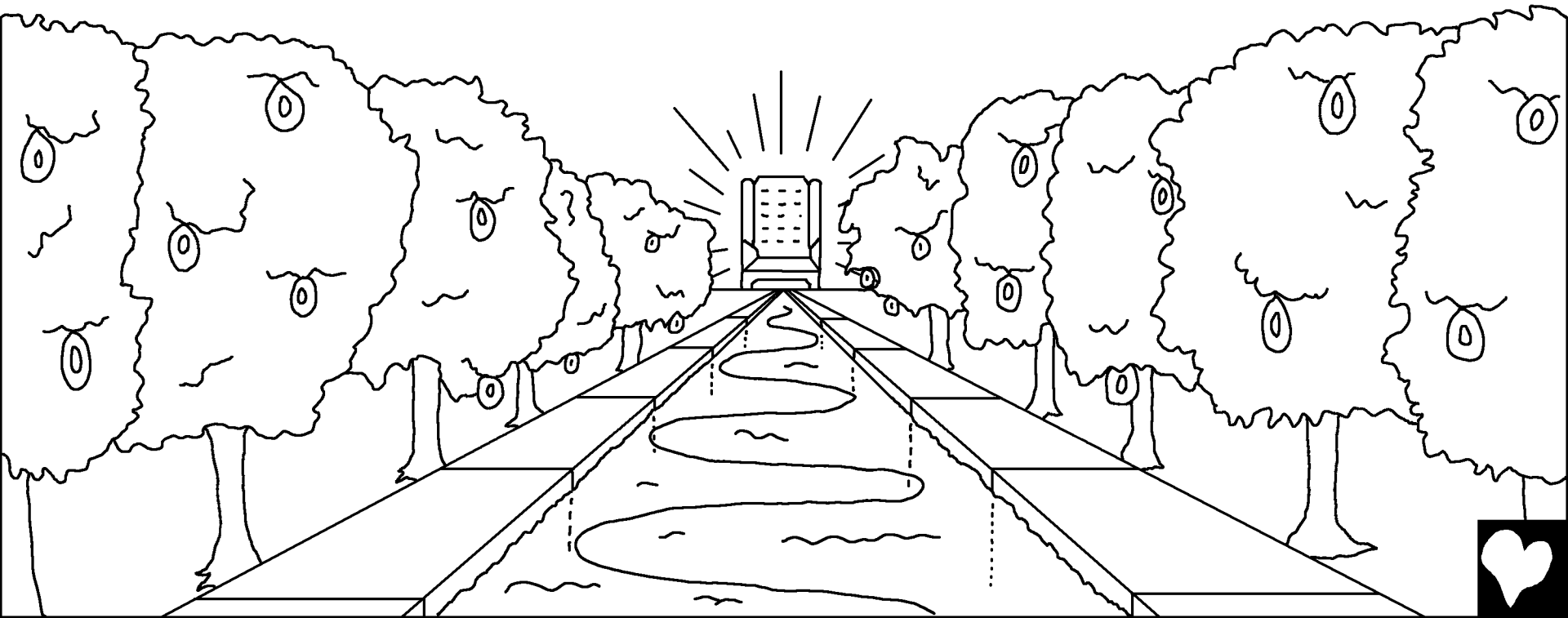


Ni mbona eKibuga eKyeru, oYerusaalemi omuyaaka,
ng'aika okuzwa omwigulu e wa Kibbumba, nga
bamutegekere ooti mugole ogubawomeirye oibaaye.
Ni mpulira eigono eryaminkirira nga litumulira awali
entebe ey'obwakabaka, nga likoba liti, "Obone,

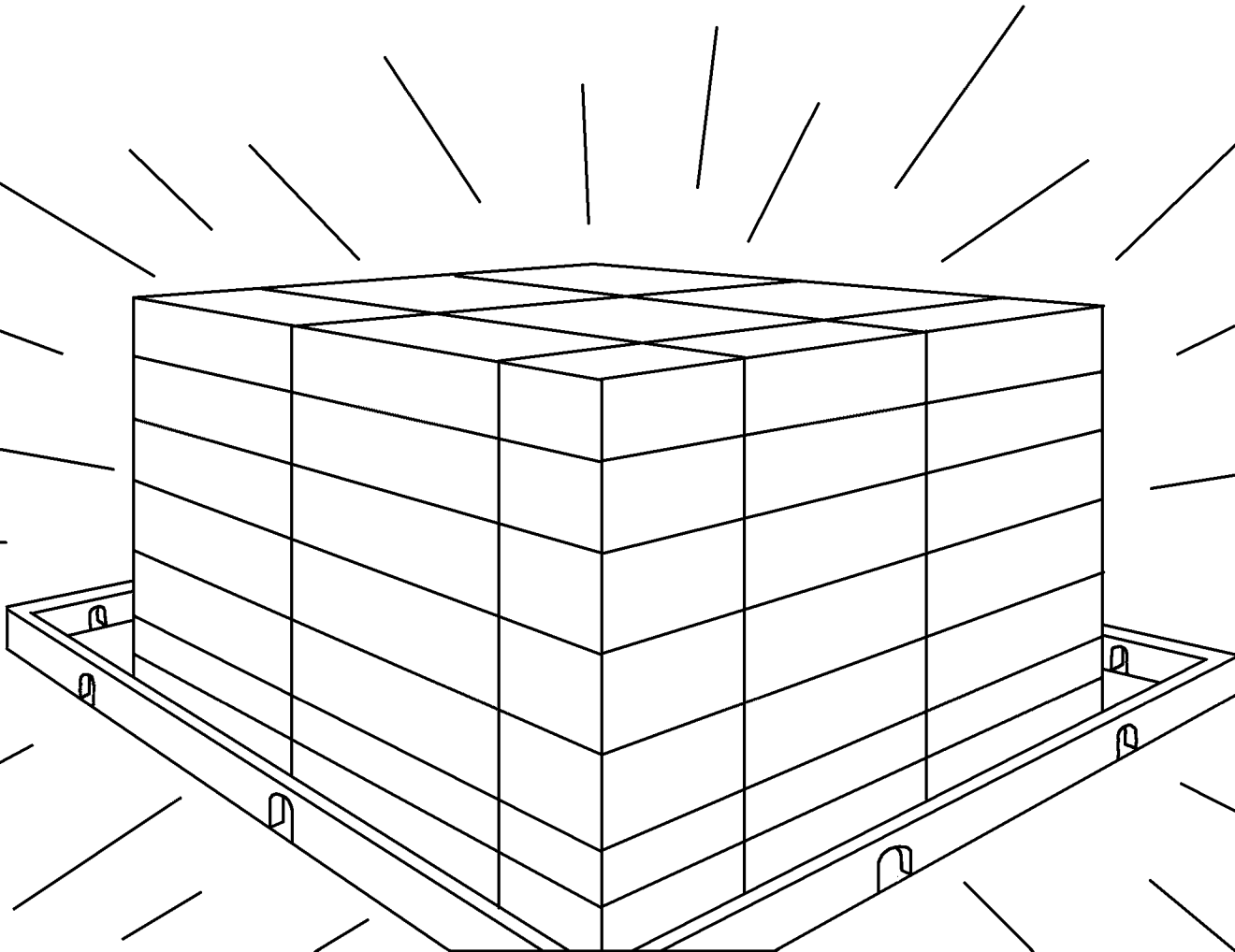
atyanu
obutyami bwa
Kibbumba buli
mu bantu, era
yaabbanga nabo.
Baabbanga bantube,
era oKibbumba
onyere yaabbanga
nabo, nga niye
oKibbumba waabwe."



Awo omalaika n'andagisya omwiga ogw'amaizi
ag'obwomi obutawaawo, ogumirikiinya ooti
ndabirwamu, oguzwa oku ntebe eya Kibbumba
ey'obwakabaka era eya Ntaama oMutomuto wa
Kibbumba, ni gukulumukira akati omu guguudo
ogunene ogw'ekibuga ekyo.



Era ekibuga ekyo tikyetaaga isana ooba omweri okukimoleka, olwakubba ekitiisya kya Kibbumba niikyo ekikimolekera, era oNtaama oMutomuto wa Kibbumba niye eitaala lyakyo.



Neye timwalingiramu kintu kadi kimo ekitali kitukulye,
ooba omuntu kadi moiza akola eby'ensoni ooba
abbeya. Abo bonkani
abebawandiikire omu
kitabo eky'abali n'obwomi
obutawaawo ekya
Ntaama oMutomuto
wa Kibbumba, niibo
abalingira omu
kibuga ekyo.

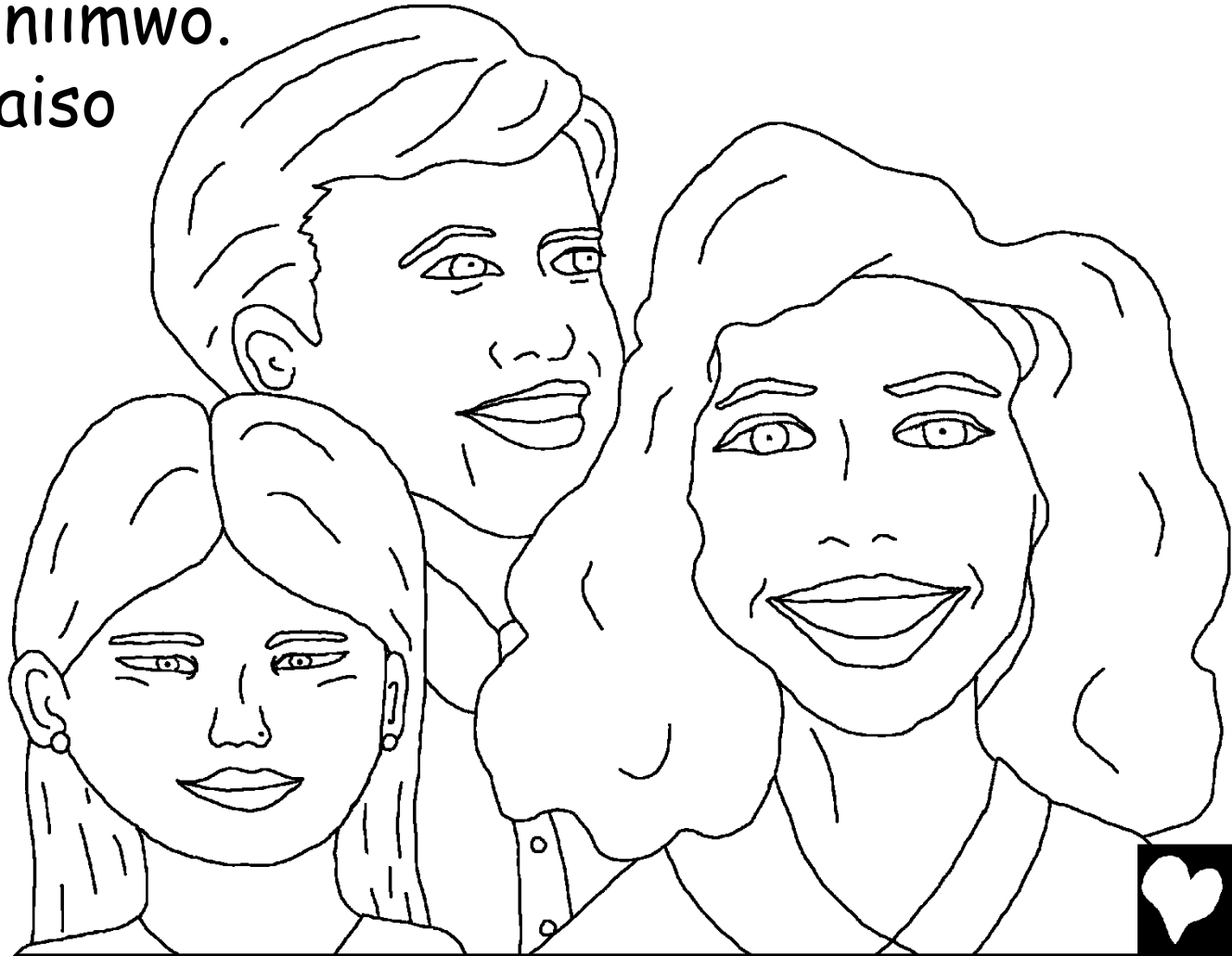


“Era yalibaaliirya n’amalawo obutaki bwonabwona obwabatuuukireku. Era walibba nga tiwakaali waliwo okufa, nga tiwakaali waliwo okuyungubala, ooba okukunga, waire obulumu, olwakubba oolwo ebyeira byalibba biwoirewo.”

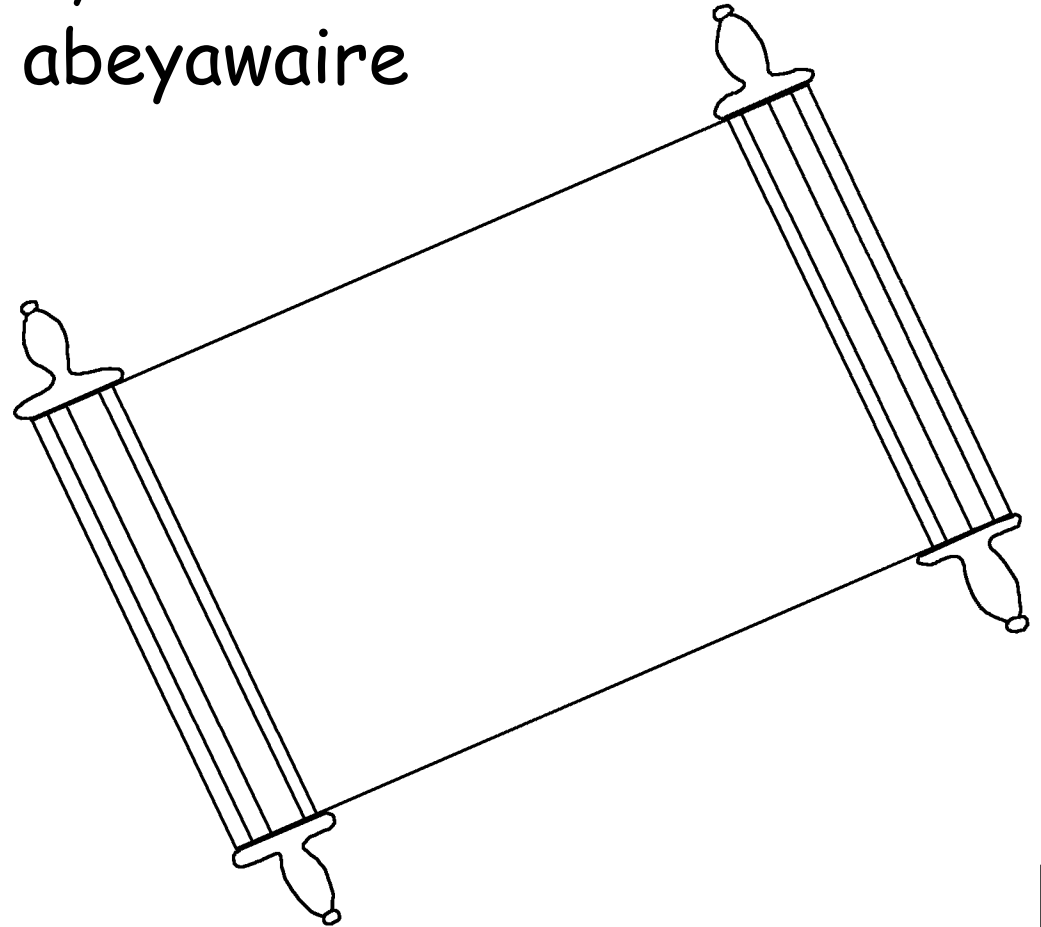


Eeyo tiwalibbaayo tete kintu oKibbumba
ekiyaliraama. Entebe eya Kibbumba ey'obwakabaka
era eya Ntaama oMutomuto wa Kibbumba yaabbanga
mu kibuga oomwo, era abaweererya aba Kibbumba
bamusinziranga niimwo.

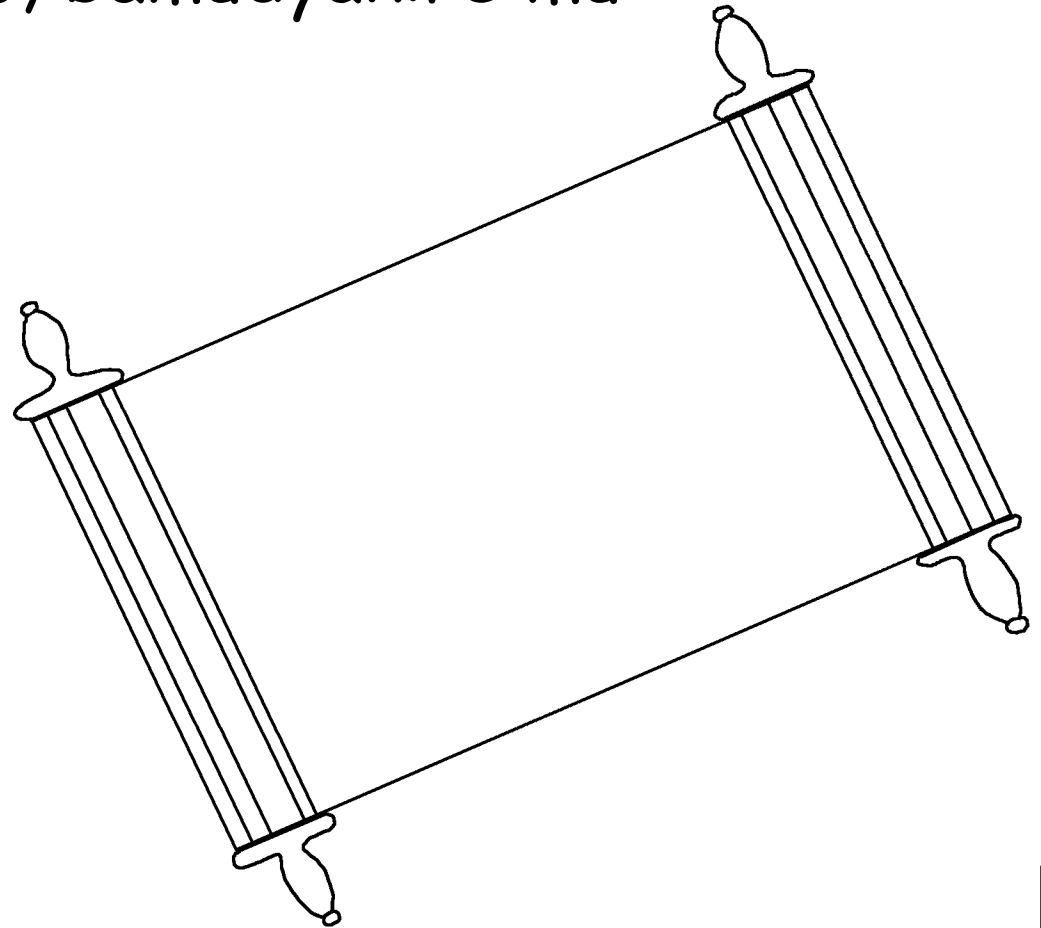
Bamubonanga maiso
ku maiso, era
yaliwandiika
eriinalye oku
mpumi gyabwe
okulaga ati
babe.



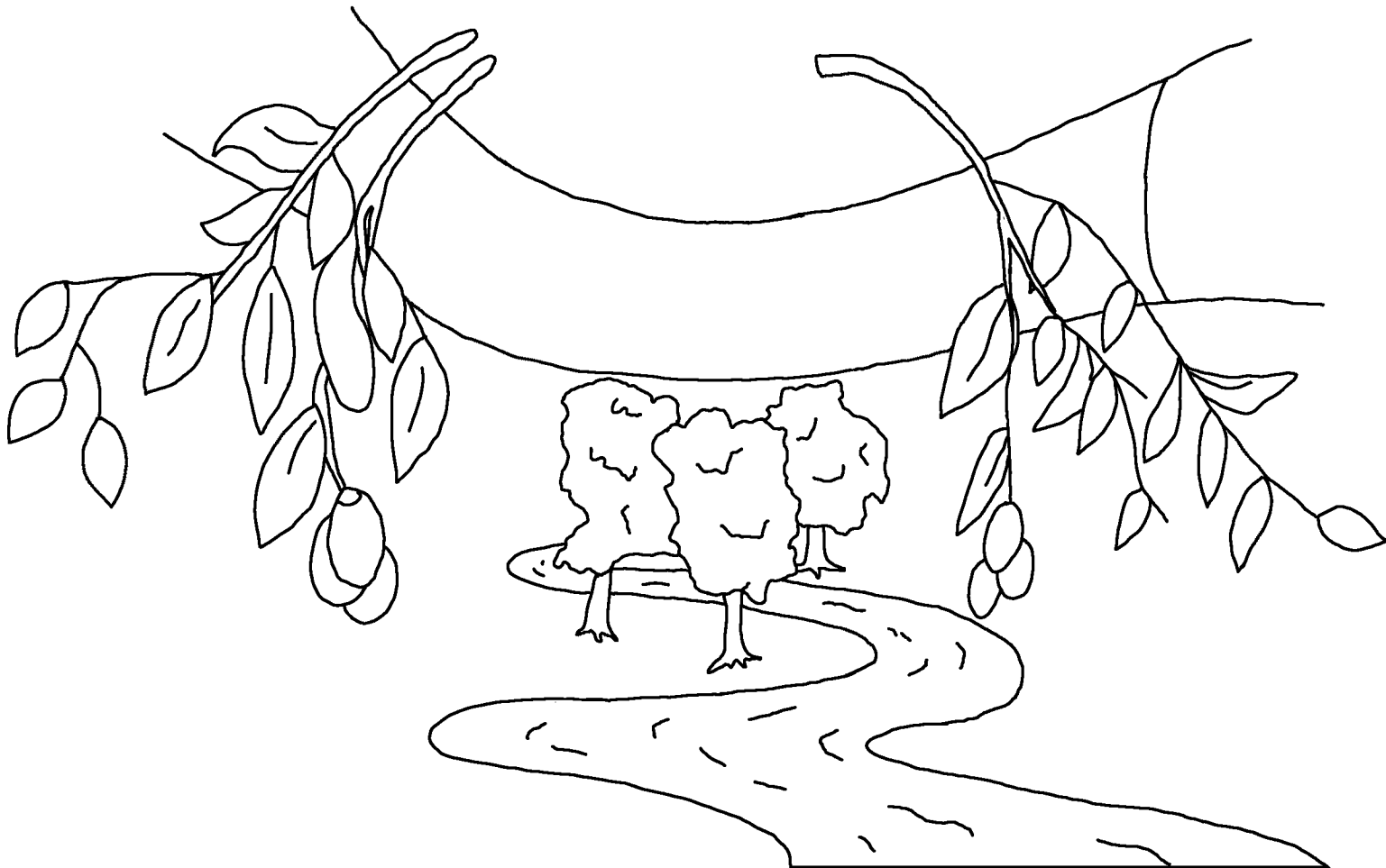
Ni mbona abafu bonabona, abakulu n'abatobato, neye atyanu nga tete boomi, beemereire omu maiso ag'entebe eyo ey'obwakabaka. Ebitabo ebitali bimo ni babibiikula. N'ekitabo ekindi ni bakibiikula, ekibeeta bati kitabo eky'obwomi, ekirimu amaliina ag'abantu oKibbumba abeyawaire obwomi obutawaawo.



Abafu ni babasalira omusango kusinzirira ku bibakolere, ng'owebabiwandiikire omu bitabo. Kale buli muntu ogubayajiirye ng'eriinalye tibaliwandiikire omu kitabo eky'abantu abali n'obwomi obutawaawo, bamudyakire mu nyanza ey'omusyo.



OMwoyo oMweru era n'abaikirirya aba Yesu, abo nga niibo oMugolewe, bakoba bati, "Oize, Musengwa waiswe oYesu." Kale buli awulira ebibono ebiri omu kitabo kinu akobe ati, "Oize, Musengwa waiswe oYesu."



Nabuli muntu enyonta ey'omu mwoyo ogweruma aize,
era buli ataka amaizi ag'obwomi, aikirirye okugasuna
anambula kusasula.



Ekyo kityo olwakubba oKibbumba
yatakire ino abantu era n'awaayo
oMwanawe omoiza yenkani, kaisi buli
muntu amwikiririryamu tiyajigirika,
wazira abbe n'obwomi
obutawaawo.



Ab'e Looma 3:23 Kiri kiti, buli muntu yabbengere omu maiso ga Kibbumba, era n'atayezya okuseseegerera oku kitiisya ekyatutakirya.

Ab'e Looma 6:23 Ikyo omuntu ekyasuna ng'empeera y'obugalamabwe eeri ekibbikibbi, kufa. Neye ekirabo iye oKibbumba ekyagaba abantu amantakikolerera, bwomi obutawaawo. Era, obwomi obwo tubusuna lwa kweyunga ku Kurisito oYesu oMusengwa waiswe.

Ab'Ebbulaniya 9:27 Era nga buli muntu oKibbumba oweyamutegekeire okufa lumo, era oluzwanyuma lw'okufa, ni bamusalira omusango,



Ab'Efeeso 2:8,9 OKibbumba yabalokoire lw'ekisaakye olwa kwikiririrya omu Kurisito oyo. Iye okubalokola tikyazwire kuniinywe, wazira kinu kirabo kya Kibbumba. Tikyazwire mu bikole byanywe ebisa, oolwo kaisi tiwaabbaawo muntu yenayena eyewaana.

Ab'e Looma 10:9,10 Tukoba tuti omuntu yenayena kasita abbutula n'omunwagwe omulwatu ati oYesu niye oMusengwa wa byonabyona, era n'aikiririrya nakimo omu mwoyogwe ati oKibbumba dala yazuukizire oYesu, oKibbumba yamulokola. Iye omuntu asooka kwikiririrya mu Yesu omu mwoyogwe kaisi oKibbumba n'amubala okubba muntu atuukiriire. Tete era, asooka kubbutula na munwagwe mulwatu ati aikiririrya omu Yesu kaisi n'alokoka.



Yokaana 3:16,17 Ekyo kityo olwakubba oKibbumba yatakire ino abantu era n'awaayo oMwanawe omoiza yenkani, kaisi buli muntu amwikiririryamu tiyajigirika, wazira abbe n'obwomi obutawaawo. Ekyo kityo olwakubba oKibbumba tiyatumire oMwanawe oku kyalo kusalira bantu musango, wazira yamutumire, kaisi abantu balokoke nga babita mu niye.

1 Yokaana 5:11-13 OKibbumba akakasa ati yatuwaire obwomi obutawaawo, era obwomi obwo tubusuna kubita mu Mwanawe. Kale iye oyo aali n'enkolagana n'oMwana wa Kibbumba, ali n'obwomi; era iye oyo abula enkolagana n'oMwana wa Kibbumba, abula obwomi. Kale mbawandiikira oku bintu binu, inywe abaikiririrya omu liina ly'oMwana wa Kibbumba kaisi mwezye okumanya muti muli n'obwomi obutawaawo.



Yokaana 14; 2 Ab'e Kolinso 5; Kubiikula 4, 21, 22

Storyline by: Edward D. Hughes

Illustrated by: Lazarus
and Alastair Paterson

Adapted by: Sarah S.

Gwere Bible (gwr) © Wycliffe Bible Translators, Inc. All
rights reserved.

<https://live.bible.is/bible/GWRWBT/MAT/1>

©2026 Bible for Children, Inc.

www.M1914.org

www.bibleforchildren.org

