

www.BibleForChildren.org



João 14



Odaa jegeetedioji Jesus, “Jinagakaami agecagalodipi, codaa jinaga agowikomataatiwaji. Pida anakatoni Aneotedogoji. Ee eledi adinakatoni. Igaataga digoida ligeladi Eiodi idiwa owidi diimaga. Dagaleetigidaagee daganagawini akaagejitagawatiwaji.”



“Odaa ejigo jilakidetagadomitiwaji ane onite.
Igaanige ejigo jilakidetini ane onitetiwaji. Odaa
nige jigodi, odaa ja idopitacijo me gadadeegitiwaji,
amaleegaga anejote, jigidiaagaga onitetiwaji.”



Ee João, ee ganioxoatiwaji. Leegodi me
godexogotege Cristo, jawikodeega nigina
me jatematiiga Jesus Cristo me

goninionigi-eliodi. Coda
me idinatiigatalo



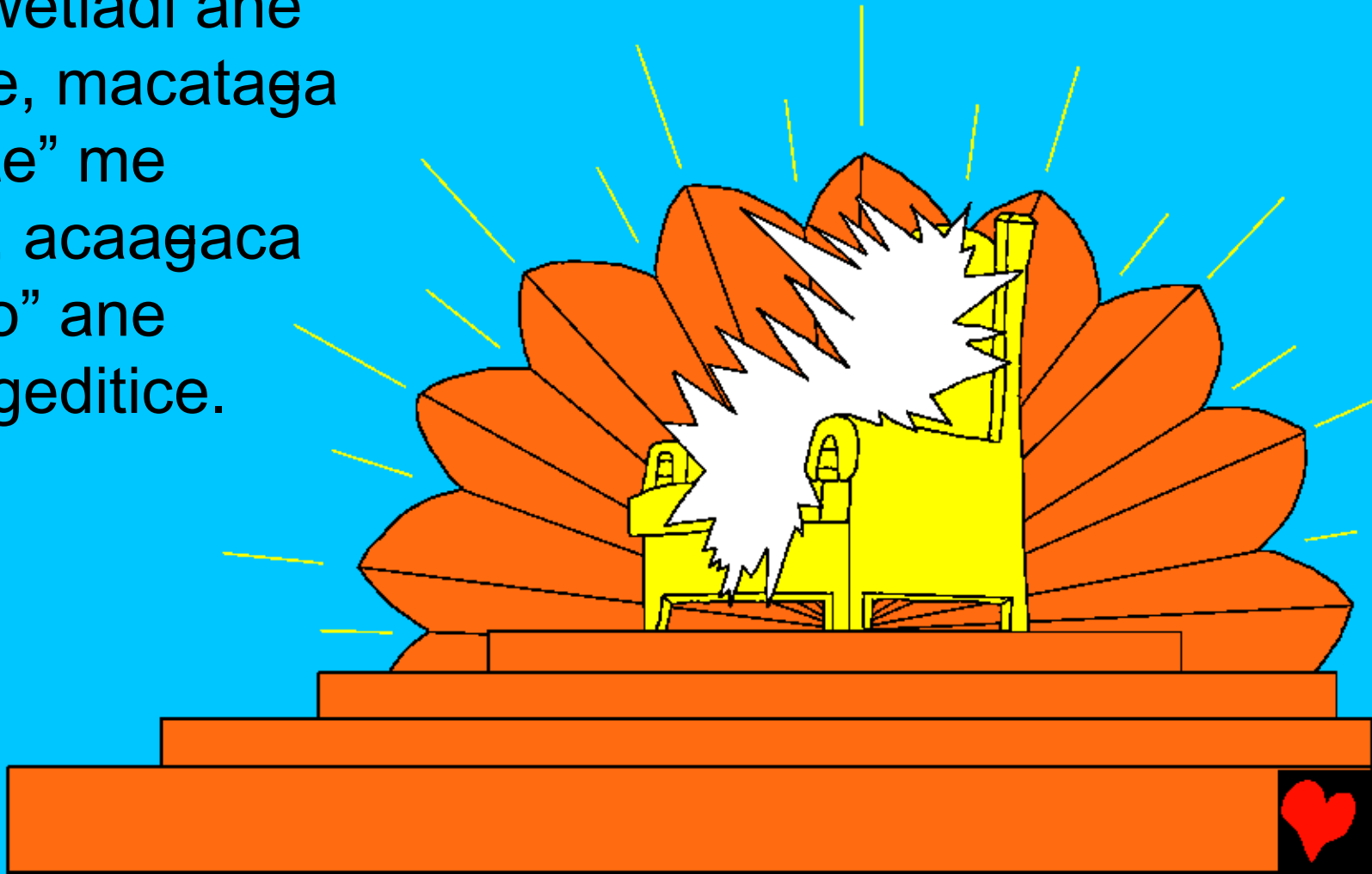
niginoa
godawikodico.



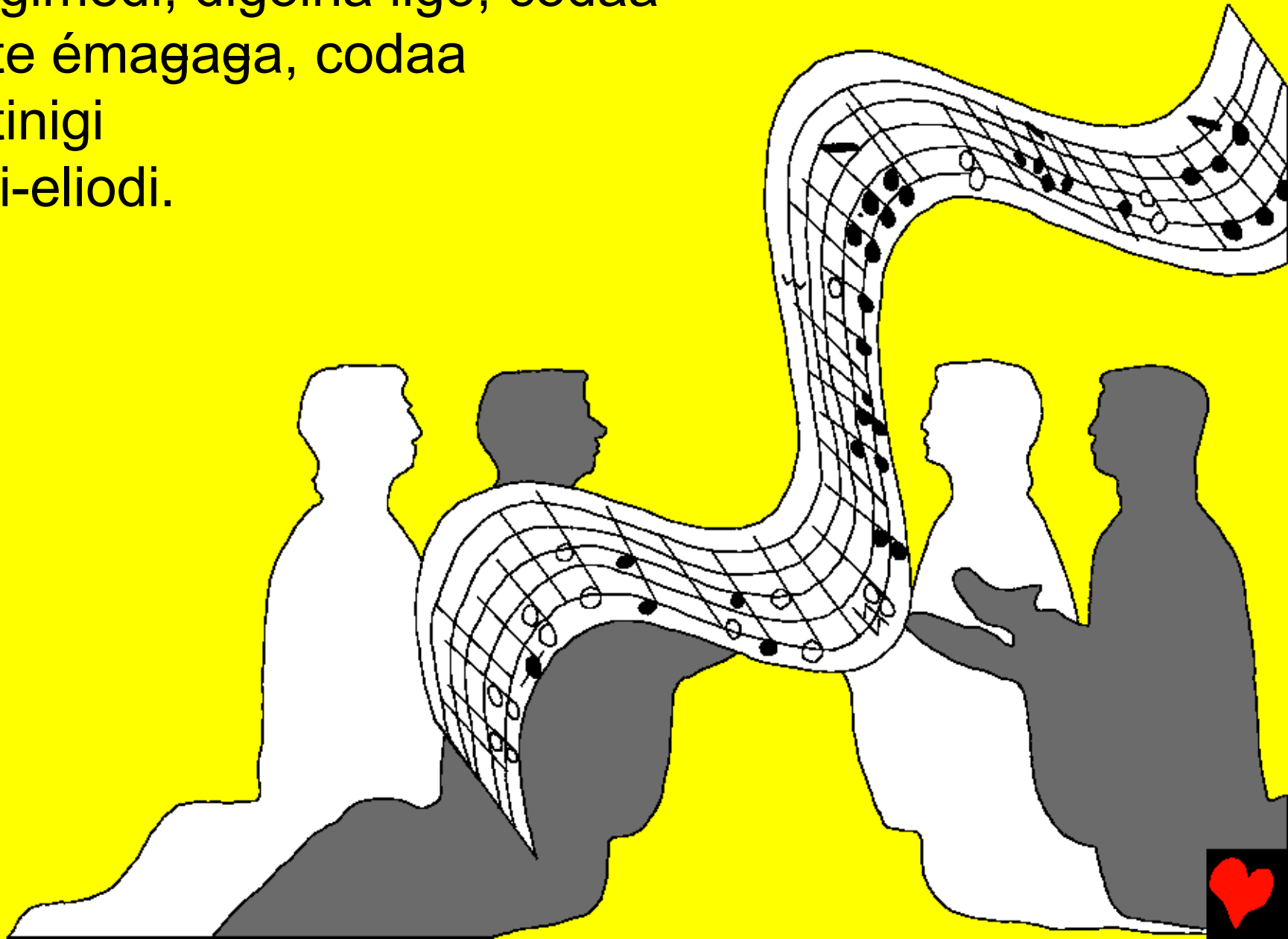
Ee idiniwilo digoida lidelogo Patmos leegodi me
jatematibece Aneotedogoji lotaga, ane
nelogoditedogowa Jesus.



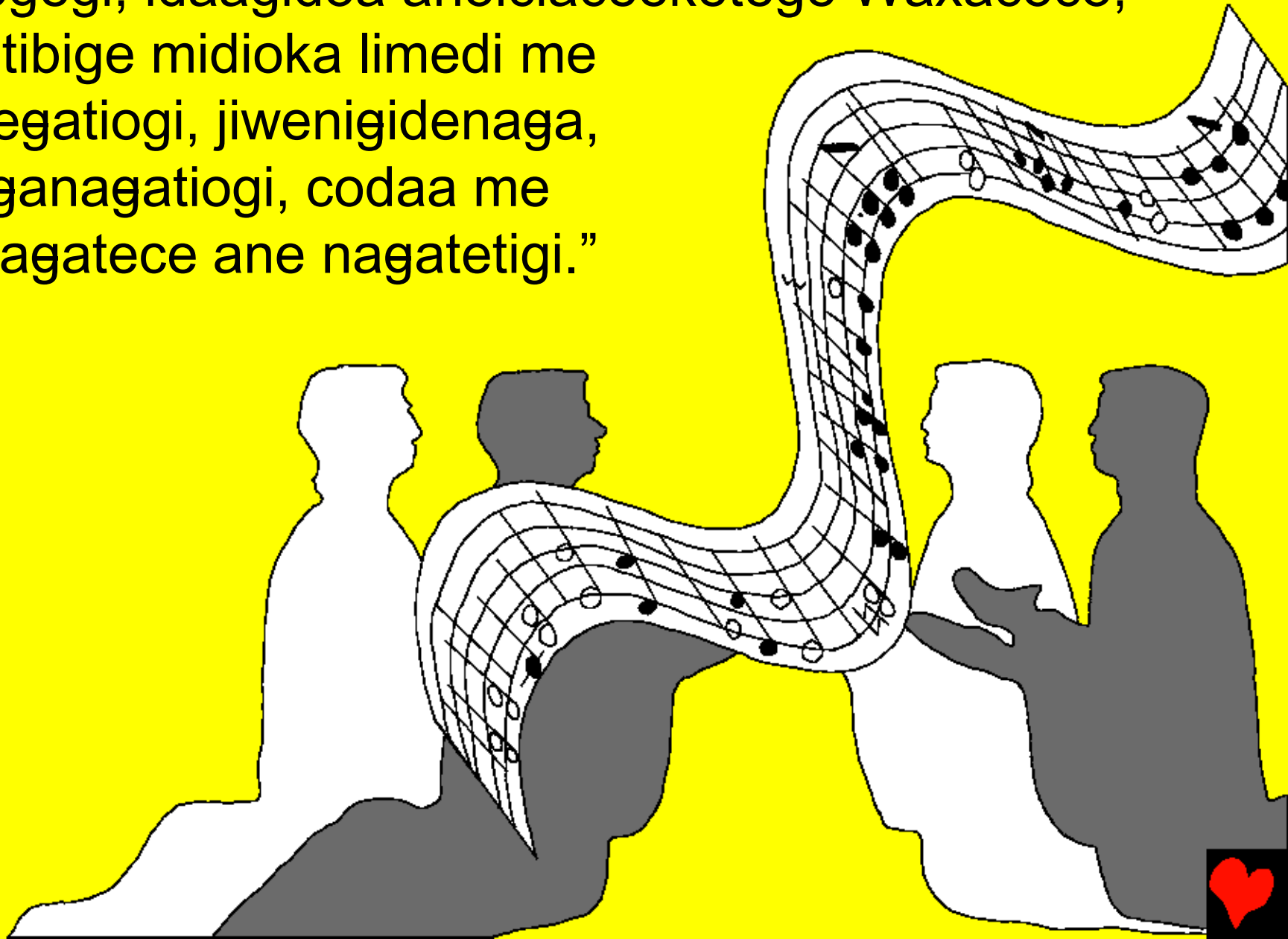
Odaa agica daga leegi Liwigo Aneotedogoji ja dakatiwigiji. Odaa jinadi nibaanco nigina oko ane gonegegi digoida ditibigimedi. Odaa nigini ane nicoteloco nagani baanco, latopiwa micoataga niginoa wetiadi ane diniwaloe, macataga “diamante” me igeditice, acaagaca “sardônio” ane ixagodi igeditice.



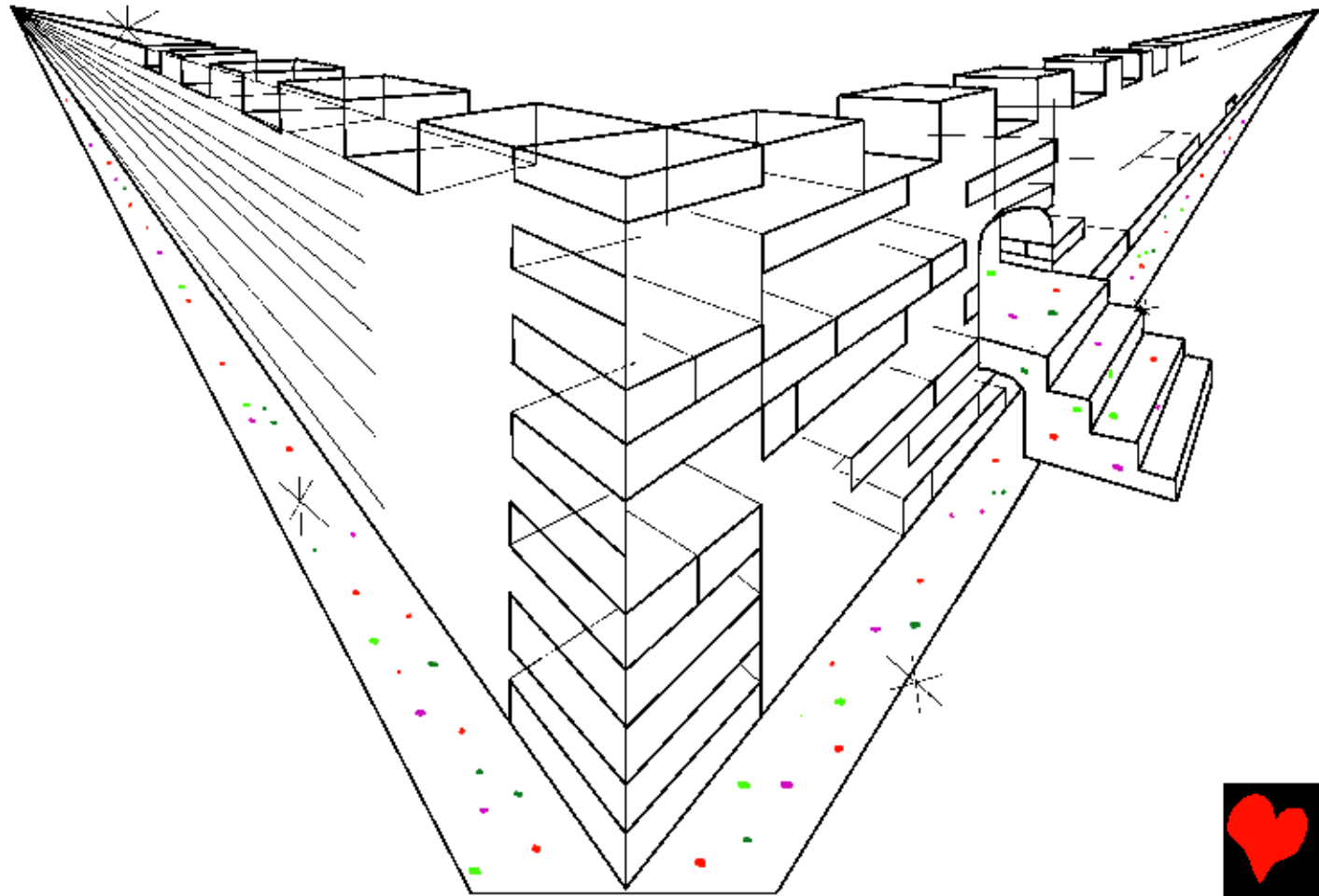
Odaa ja jajipatiogi iditawece ane newiga digoida
ditibigimedi, digoina iigo, codaa
aneite émagaga, codaa
aneitinigi
akiidi-eliodi.



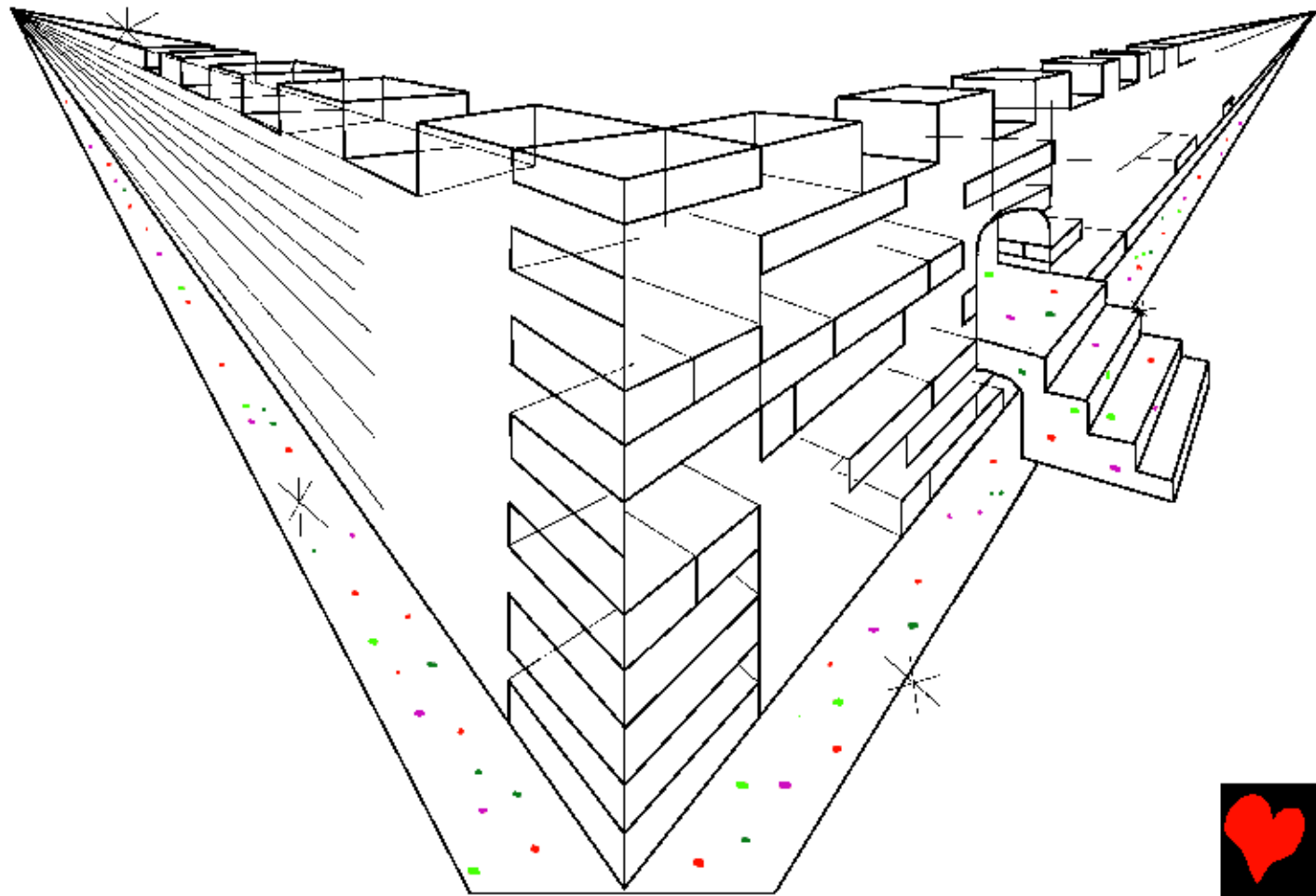
Iditawece modi, “Niginiwa ane nicoteloco nibaanco me gonegegi, idaagidoa anoiciaceeketege Waxacoco, leeditibige midioka limedi me jogeeegatiogi, jiwenigidenaga, jocaganagatiogi, codaa me jikanagatece ane nagatetigi.”



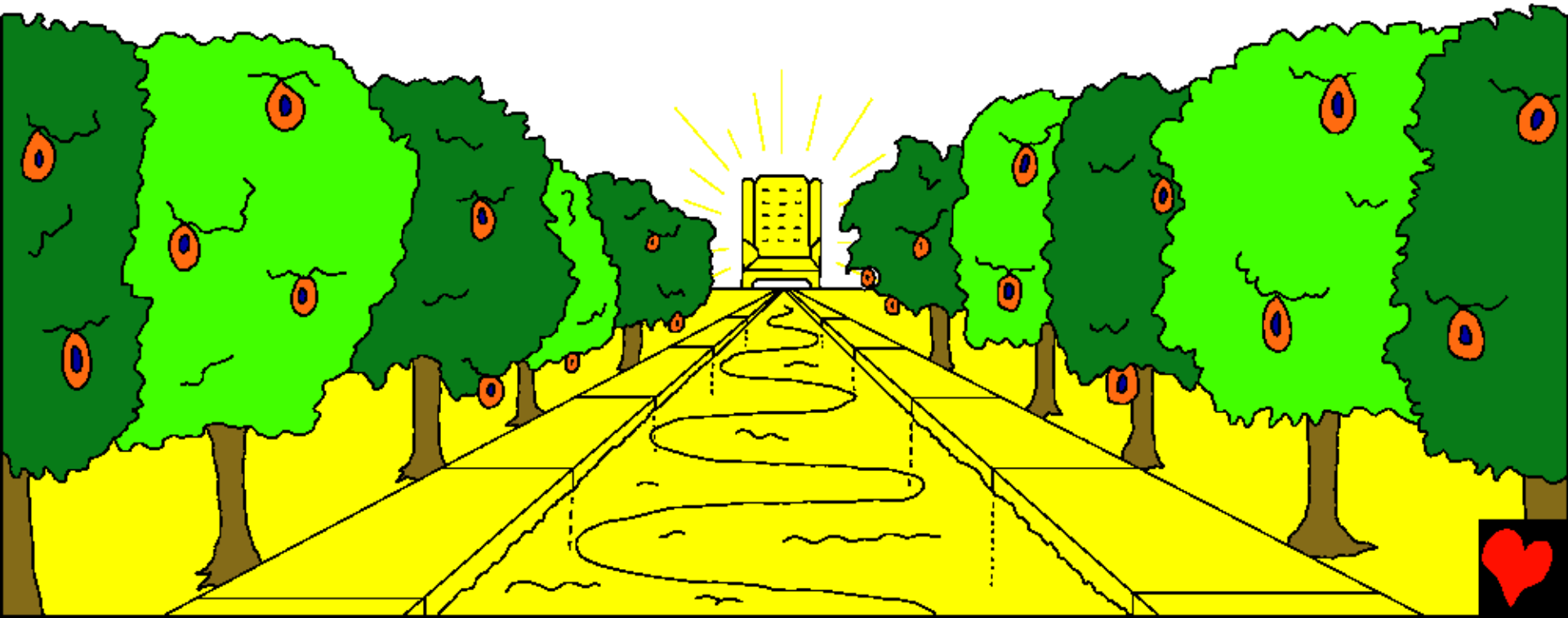
Eledi jinadi ani nigotaga Aneotedogoji ane yoe me nebi, gela Jerusalém, ane icogotibigimece ditibigimedi miniwataga Aneotedogoji. Jaganadí codaa ja igo macataga nagana awicije ane wado, odaa ja nibeotege me dakapetege lodawa.



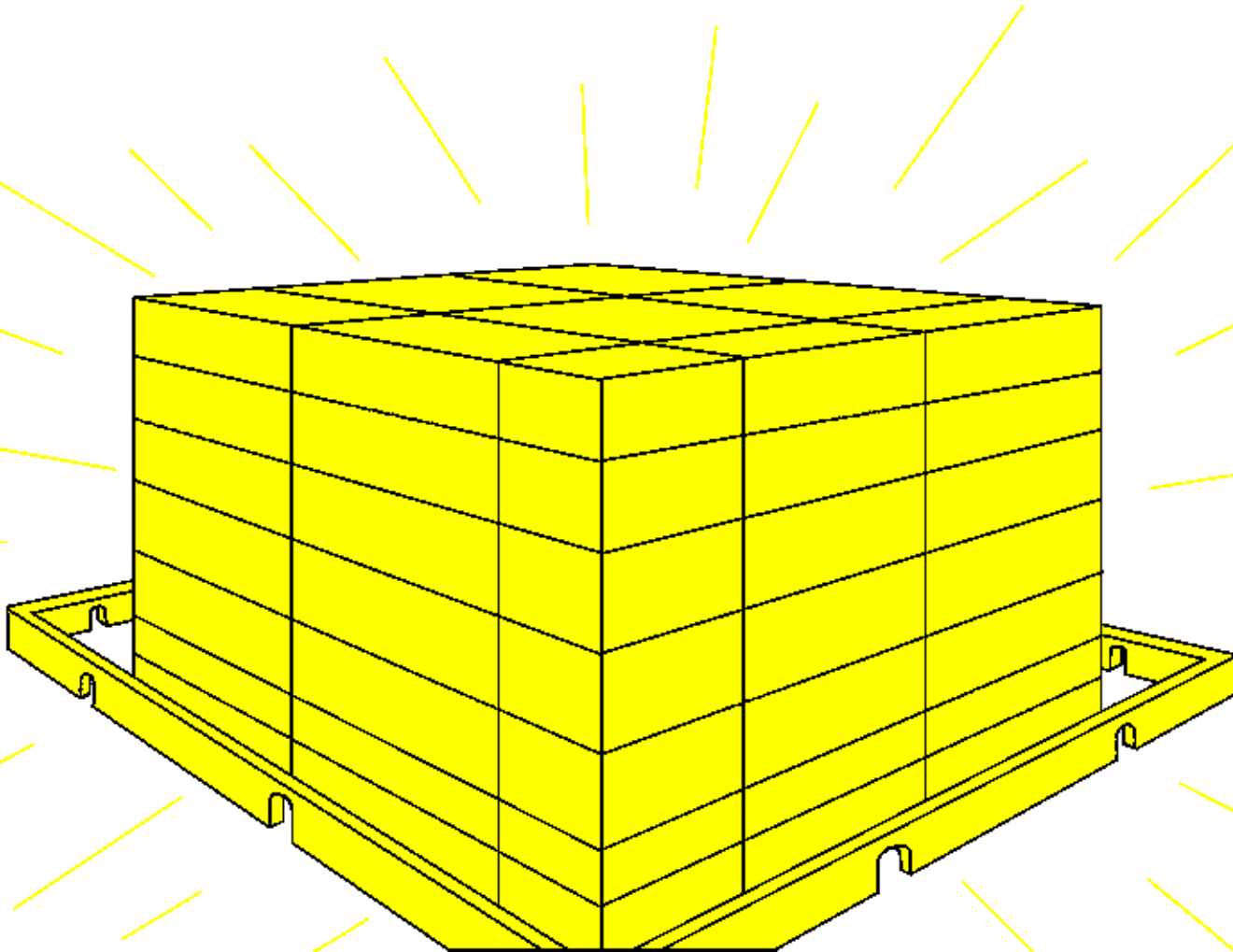
Odaa ja jajipata ica ane igedi me dotaga digoida ditibigimedi, mee, “Digawini! Ligeladi Aneotedogoji ide i minataga nigina oko, odaa noiigiwepodi, ja loiigi. Iniaaginiwa Aneotedogoji ideite miditaga, codaa me Noenogodi.”



Odaa nigijo aanjo ja nikeetiwa akiidi ane yapidi ninyogodi aneo oko me newiga agica liniogo. Nigidi akiidi icogotiwece nibaanco Aneotedogoji iniaa Waxacoco.



Nagani nigotaga ayopotibige aligege otegexaagaga epenai me naloteloco, leegodi Aneotedogoji aneliodi me datale, nalotedeloco, codaa natalaga ane icogotigi minitaga Waxacoco yatalagadi nigotaga.



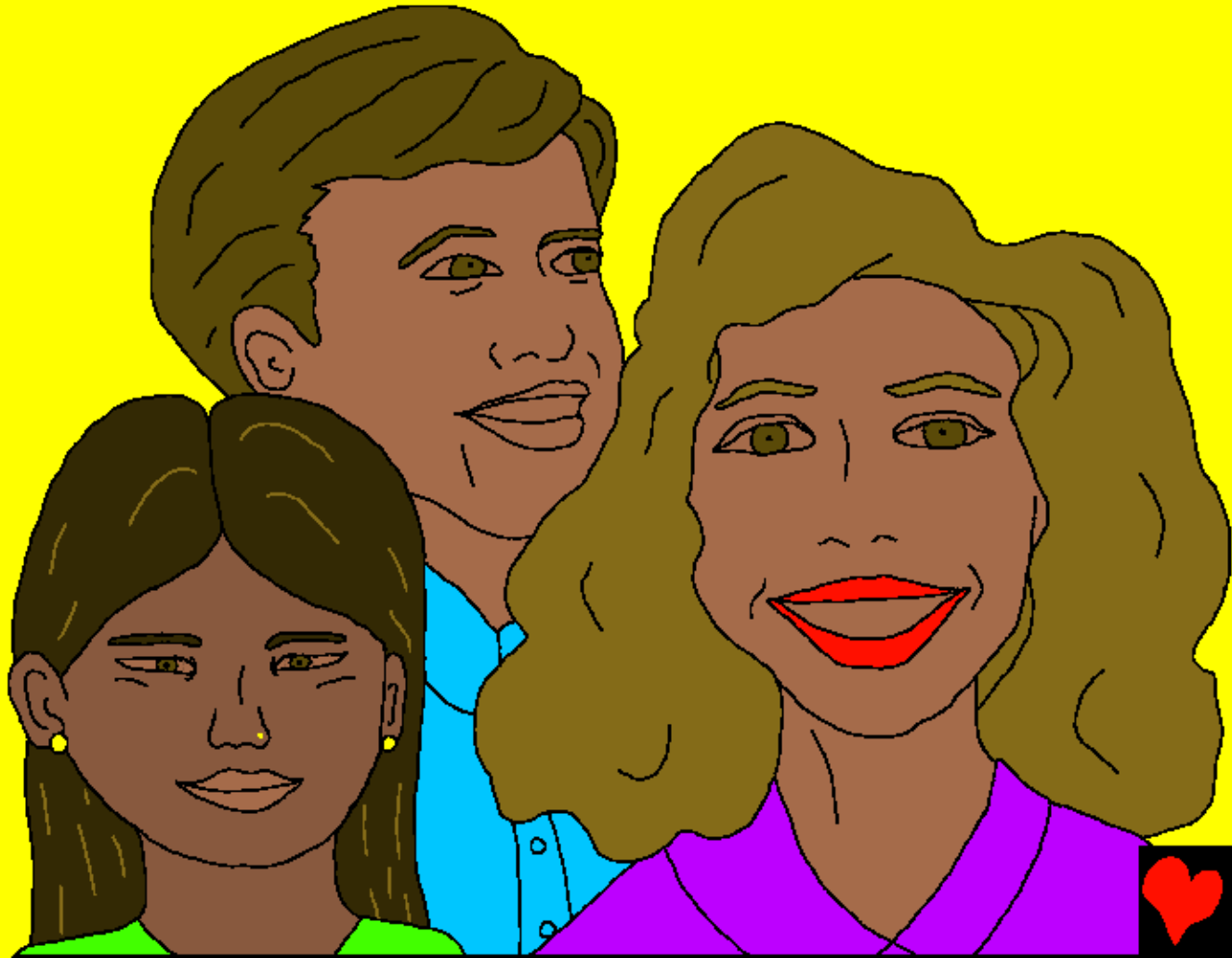
Odaa adakatio nigina
oko aneo ane beyagi,
otegexaagaga nigina
ane noomatewa
okanicodaagica
oko, otegexaagaga
awitakagaga. Idioka
dakatiobece nigijo
anidiwa liboonagatedi
me diniditelogo
lotaganagaxi
Waxacoco, aneite
liboonagatedi nigica
baanaga idioka
limedi me newiga.



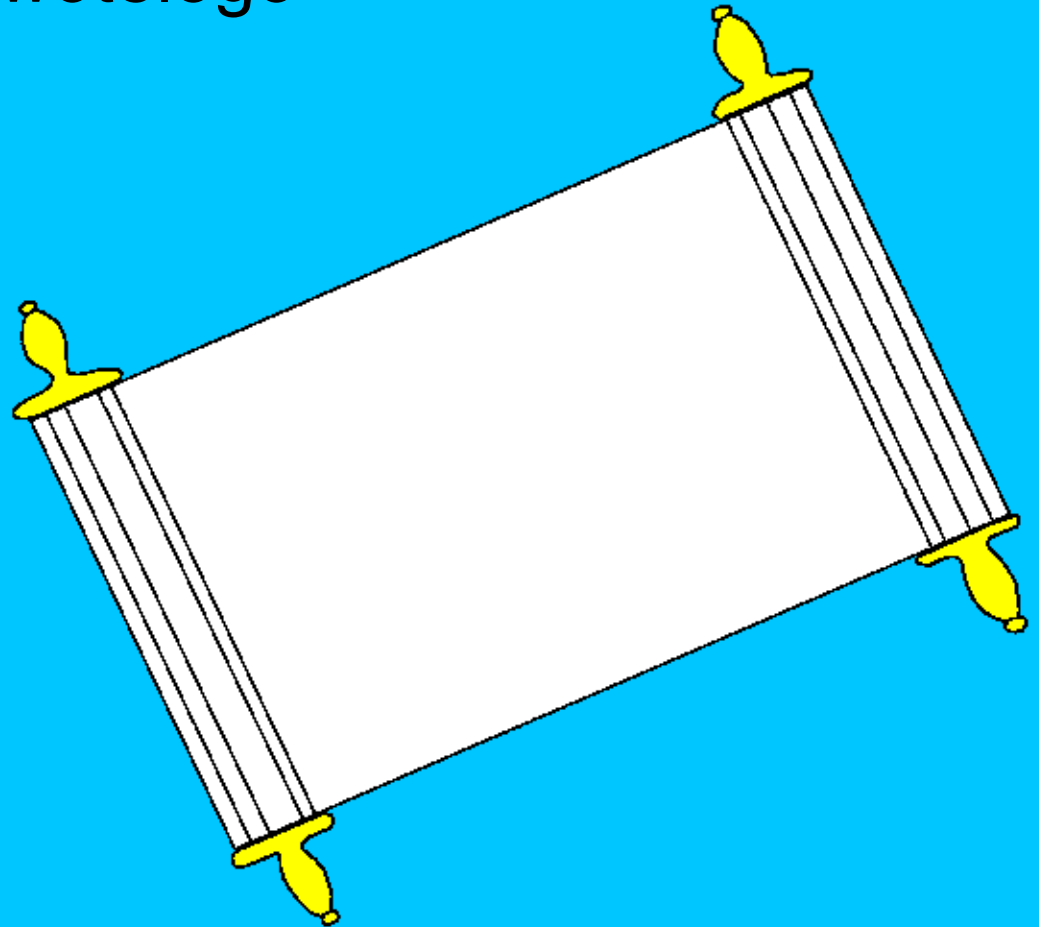
“Iwilegitetema icoatawece latiidi.
Codaagaleegica ane yeleo, agicaligecagalogo,
agaleegica daga noenaga,
codaagaleegica anoilee. Leegodi
nigicoa jotigide anee ja ixomagatedijo.”



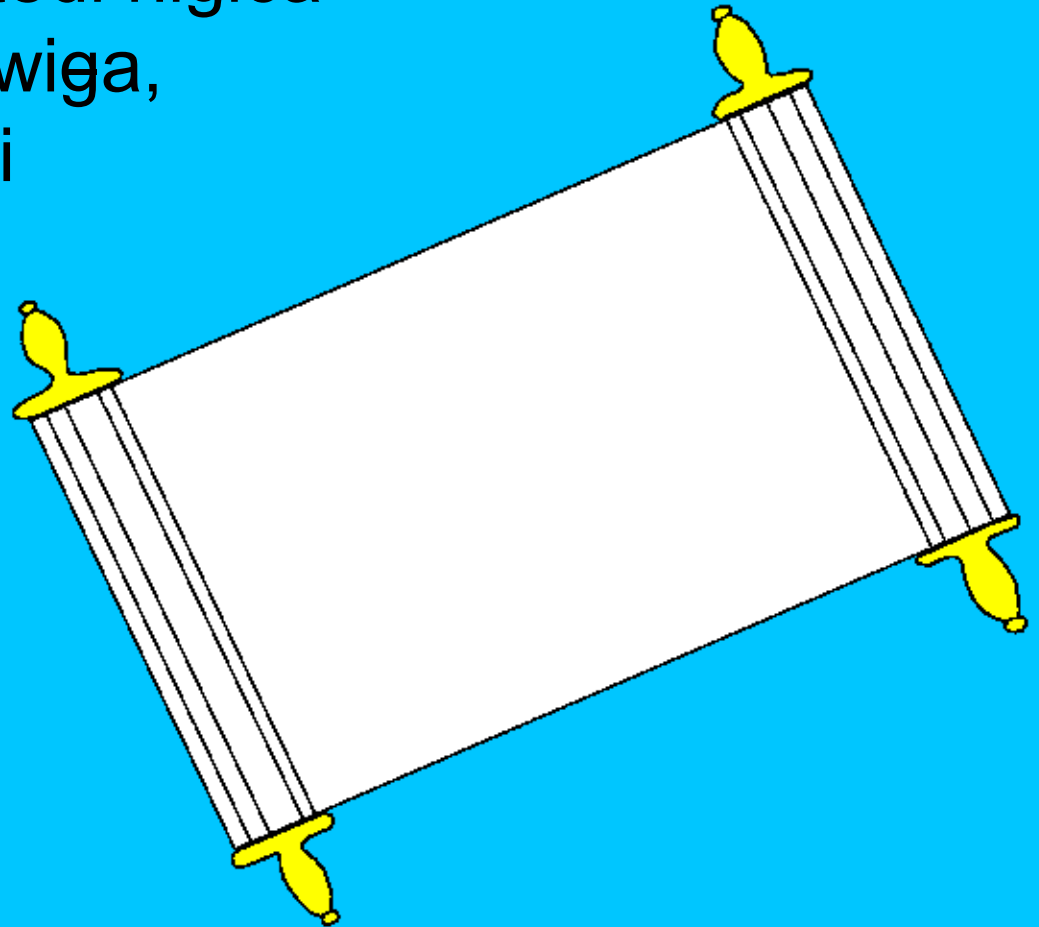
Agica gaantokaagini ane beyagi catiwedi nagani
nigotaga. Leegodi nibaanco Aneotedogoji iniaa
Waxacoco idei manitaga nagani nigotaga. Odaa liotaka
odogetetalo
leegodi niginoa
libaketedi
anowotema.
Odaa onadi
Aneotedogoji
latobi, codaa
Liboonagadi
Aneotedogoji
diniditelo
latocolo
nigina oko.



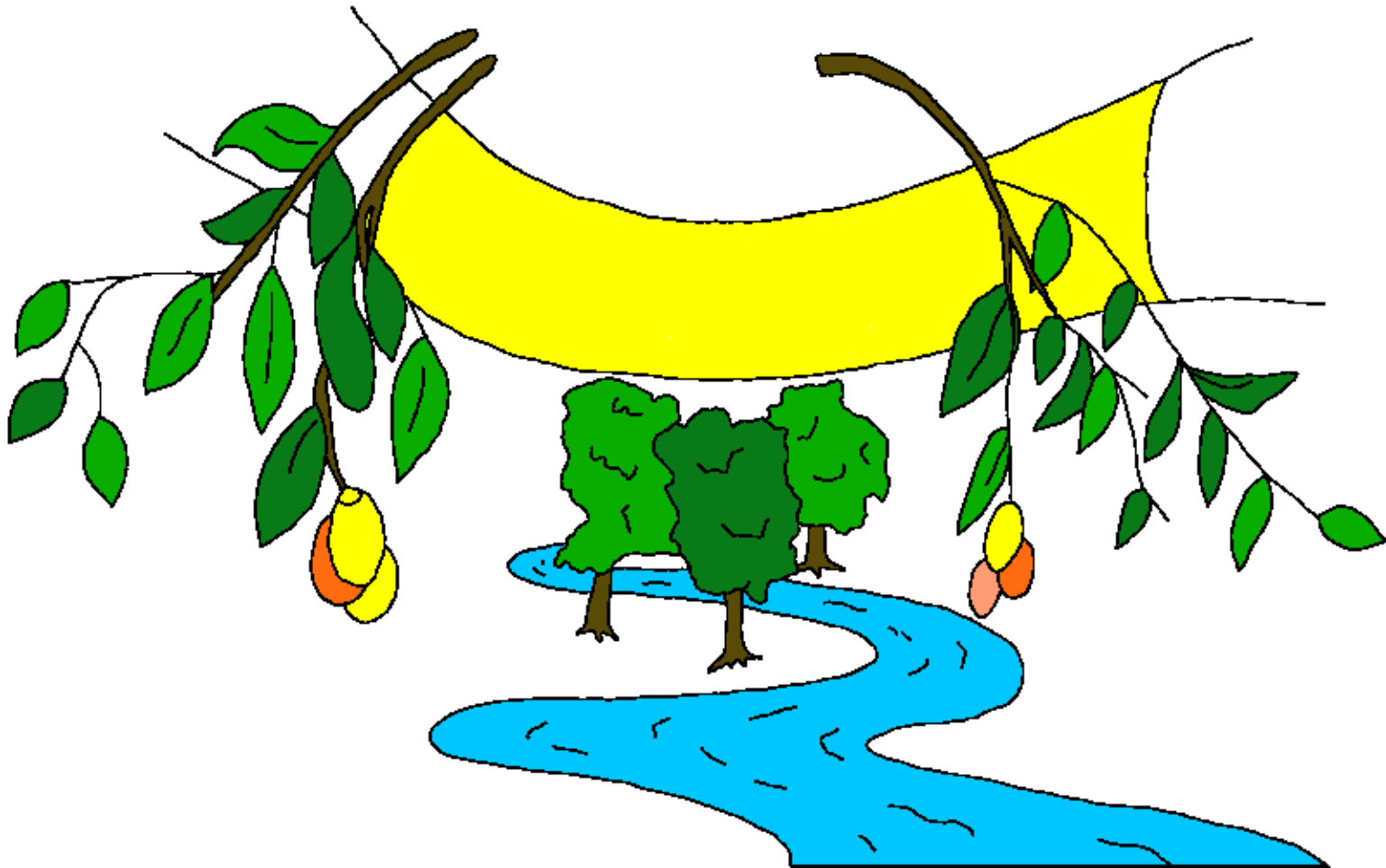
Odaa ja jinadi nigijoa émagaga, ijoa gonegaga,
ijaagijoa iwikodadi, dabiditiniwace lodoe Aneotedogoji.
Odaa jogoyomoke ijoa lotaganagaxiidi Aneotedogoji.
Nigidiaagidi jogoyomoke eledi notaganagaxi,
nagadi notaganagaxi iwotelogo
liboonagatedi nigijo
anidioka limedi
me newiga.



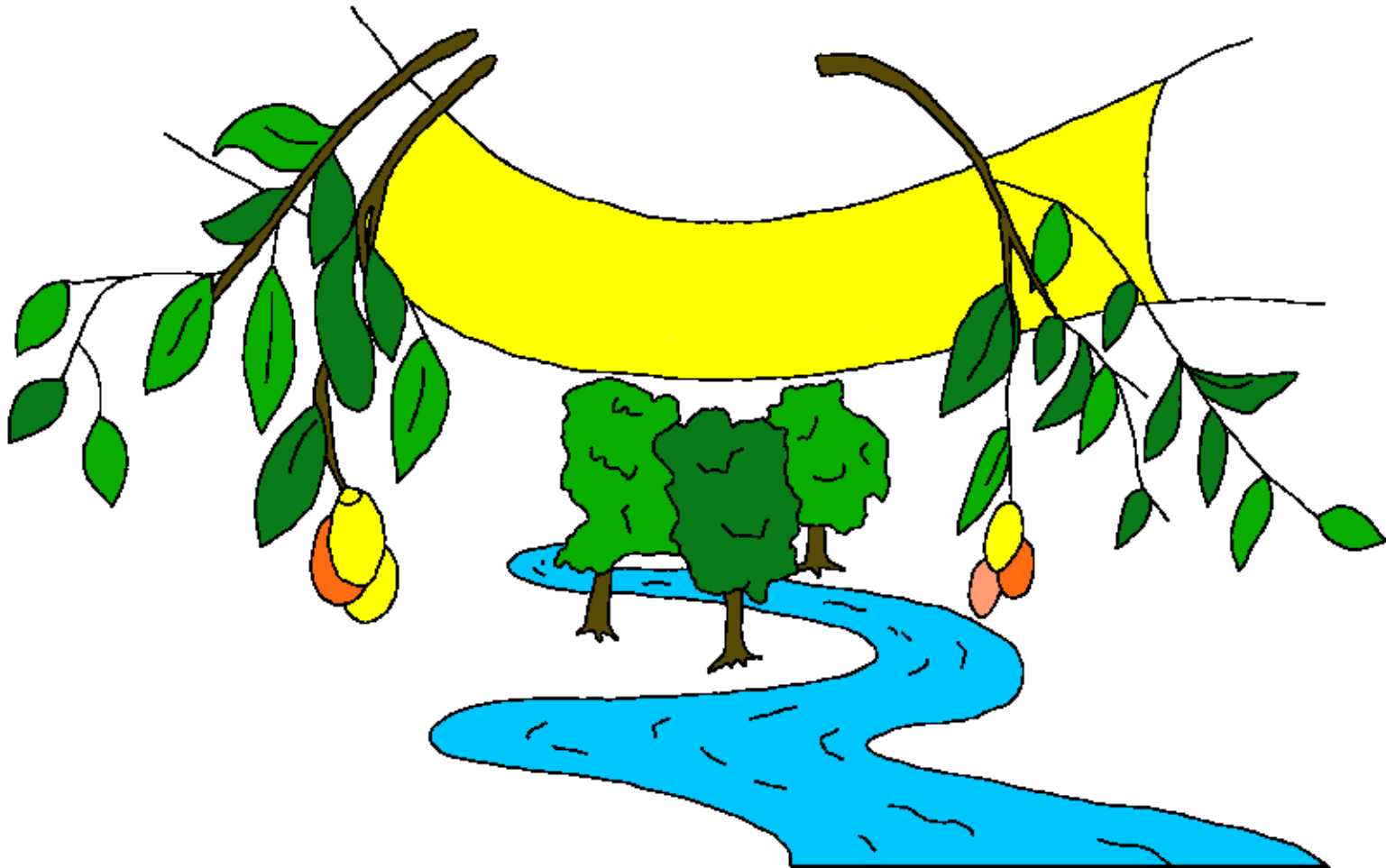
Odaa Nigijoa ane nicoteloco nibaanco gonege
ja iwi ane loenataka émagaga ane diniditologo
notaganagaxiidi. Nigijo ane digica liboonagadi
me diniditeloco nagajo notaganagaxi ane
diniditeloco liboonagatedi nigica
anidioka limedi me newiga,
nigini oko oyokoletinigi
nigida noledi libegi.



Aneotedogoji Livigo aniaa nagajo anicota me wado modi, “Anagi!” Odaa nigina anowajipata nigida ligegi eledi modi, “Anagi!” Ane gadeloati ecibi, anagi!



Codaa anemaani macipe, acipe ninyogodi ane ganogeedi, ninyogodi aneo oko lewiga ane digica liniogo miniwataga Aneotedogoji!



Aneotedogoji
eliodi me yemaa
okotigi digoina iigo, joanigidaa leegodi
me yajigo nigijoa oniniwatece me Lionigi
lemaanigi, eotedibige minatawece
nigina anoyiwagadi agalee nigo, pida
jigida lewiga ane dagadiaagica
liniogo miniwataga
Aneotedogoji.



Romanos 3:23

Igaataga inatawece oko inoa libeyacegeco, codaa agicoa iniwa ane igenaga daga liciagi Aneotedogoji, ane dagaxa me igenaga, yapidi, codaa agica libatiigi.

Romanos 6:23

Leegodi loojedi nibeyacaga ane jibagatege baga némaga, odaa idiokaanaga limedi me leegitalo Aneotedogoji me jotonagatedice. Pida liboonigi Aneotedogoji ane najigotedogowa baga godewiga ane dagadiaagica liniogo Miniwataga, leegodi nigijo loenatagitedogodomi Goniotagodi Jesus Cristo.

Hebreus 9:27

Inatawece oko icota me nigo, odaa onidateci me yeleo nigina oko. Odaa Aneotedogoji ja iwi nigica anigoteta.



Efésios 2:8,9

Leegodi Aneotedogoji meliodi meletedogodomi, odaa jegeote me gela godewiga leegodi me jinakatonaga Cristo. Agotaga jakataga me jinakatonaga daga jibakenaga okomaga godoniciwaga, pida Aneotedogoji godaxawa me jinakatonaga Cristo, micataga daga gonogeeditalo gotiwagatakanegegi. Aneotedogoji agodaxawa me jinakatonaga Cristo daga leegodi me jaoga godoenataka anele, doitedibige digica ane yakadi me dinagaxaketibece.

Romanos 10:9,10

Joanigidaageeta nigida nibodigi: Nigenita eledi oko Jesus me Goniotagodi, codaa nige iwagati Aneotedogoji me yewikatiditace me yeleo, odaa Aneotedogoji eote gadewiga. Igaataga nigina mewi mejiwagatakanaga manitawece godaalegena, Aneotedogoji eote me godegenaga, codaa nigejinagatece gotiwagatakanegegi, odaa Aneotedogoji jegeote me godewiga.



João 3:16,17

Aneotedogoji eliodi me yemaa okotigi digoina iigo, joanigidaa leegodi me yajigo nigijoa oniniwatece me Lionigi lemaanigi, eotedibige minatawece nigina anoyiwagadi agalee nigo, pida jigida lewiga ane dagadiaagica liniogo miniwataga Aneotedogoji.

Aneotedogoji niige Lionigi me yewikatidi inatawece oko. Aniige Lionigi me iwi, oditaga iloikatiditeda oko leegodi loenataka ane beyagi.



1 João 5:11-13

Joanigidaa ane nikeetedogowa Aneotedogoji me najigotedogowa godewiga ane dagadiaagica liniogo miniwataga, codaa nigida godewiga icogotigi miniwataga Lionigi. Nigina oko aniniwa Aneotedogoji Lionigi minitaga joaniginiaagida lewiga ane digica liniogo miniwataga Aneotedogoji. Pida nigina oko ane digicoateda Lionigi Aneotedogoji minitaga, joaniginiaagini agica lewiga ane digica liniogo. Jiditibigagaji nagadi notaganagaxi akaamitiwaji ane iwagati Lionigi Aneotedogoji, amaleegaga owoogotitiwaji mida gadewiga ane digica liniogo miniwataga, codaa amaleegaga idioka limedi me iwagati Goniotagodi.



João 14; 2 Corintios 5; Apocalipse 4, 21, 22

Storyline by: Edward D. Hughes

Illustrated by: Lazarus
and Alastair Paterson

Adapted by: Sarah S.

Kadiwéu Bible (kbc) © 2010, Wycliffe Bible Translators, Inc.
All rights reserved.

<https://live.bible.is/bible/KBCWYI/MAT/1>

©2024 Bible for Children, Inc.

www.M1914.org

www.bibleforchildren.org

