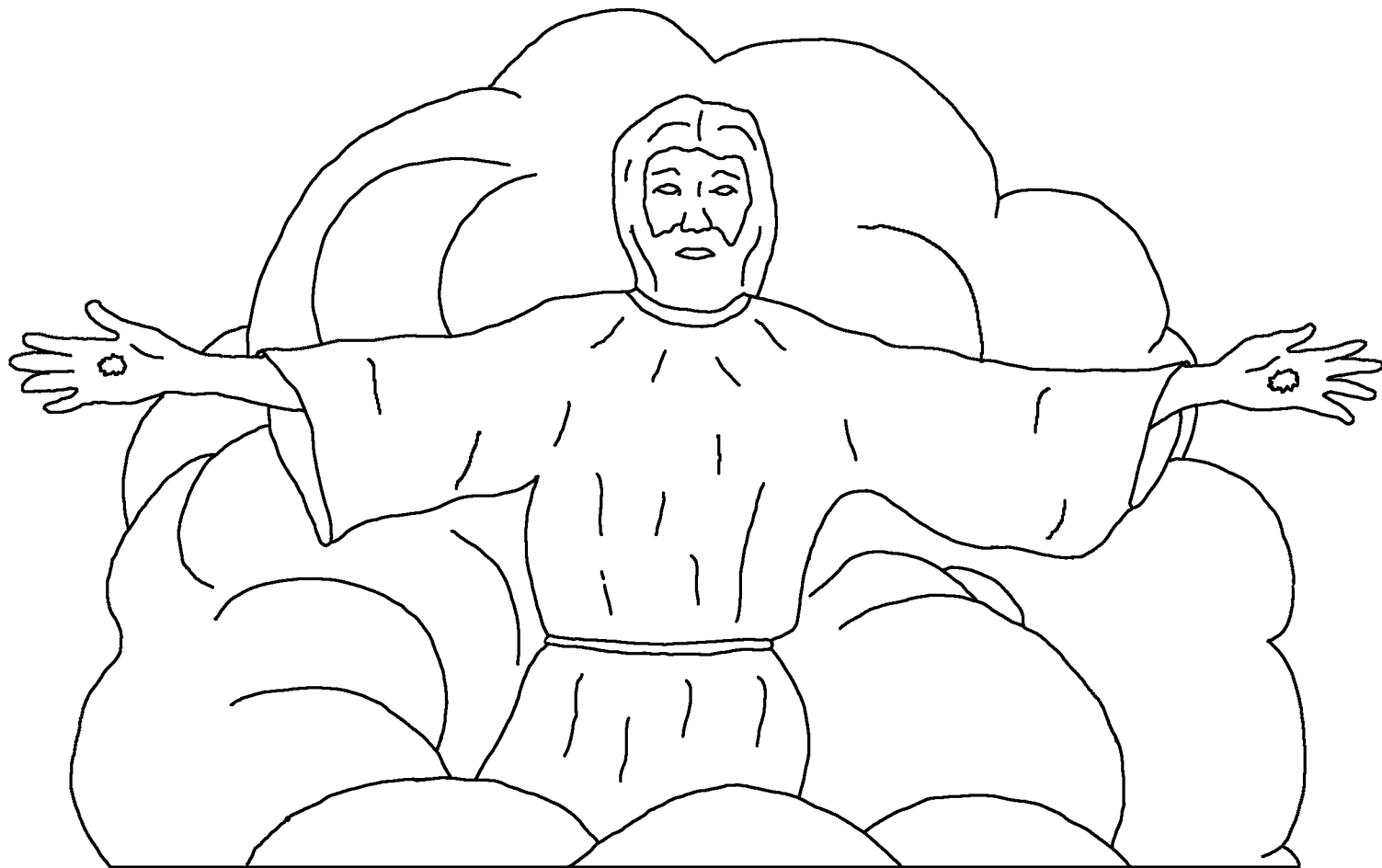


www.BibleForChildren.org

Jon 14



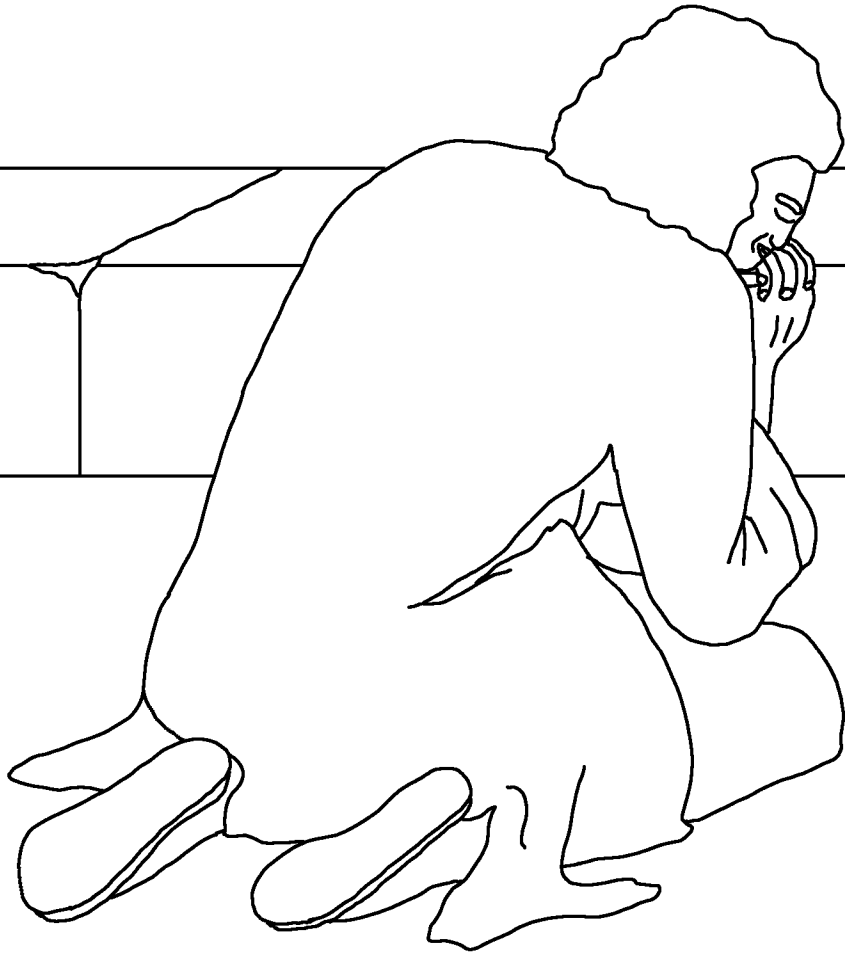
Yesuhā haba kōu gue tobou, nī hobōu hagi degedama.
Godikōu damaleyodemaba, amokōu ne
damaleyodema. Mā Ayehā mosodube fōu gou moso
sūdo dala. Kegemōu, ame nī timōu mīlōu ga ili.



Kegei ta dala mei debabe, a n̄imok̄ou ta kege ta tob̄ou
yo mei. A ābuk̄ou ile folo, n̄i tim̄ou bologua m̄it̄ou ma
mei degeiba, haba bohōt̄ou ma migile, n̄i w̄ou ma
foloba, n̄ine a dala kok̄ou dalaguale.

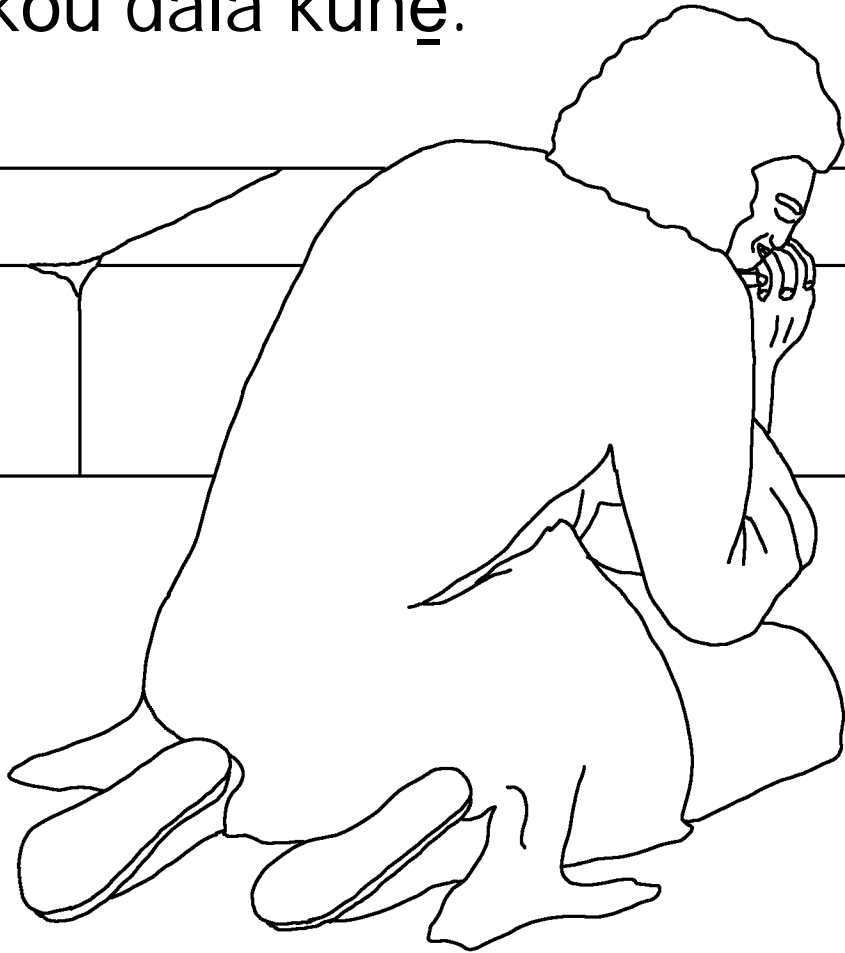


Ame n̄i eyē Jon. Dibe Yesu sesele yolu kaha,
hagi hiyedo dugulo ili, keñōu si Godiha di
woṭou dalamōu, di neḷe dege dalagua.

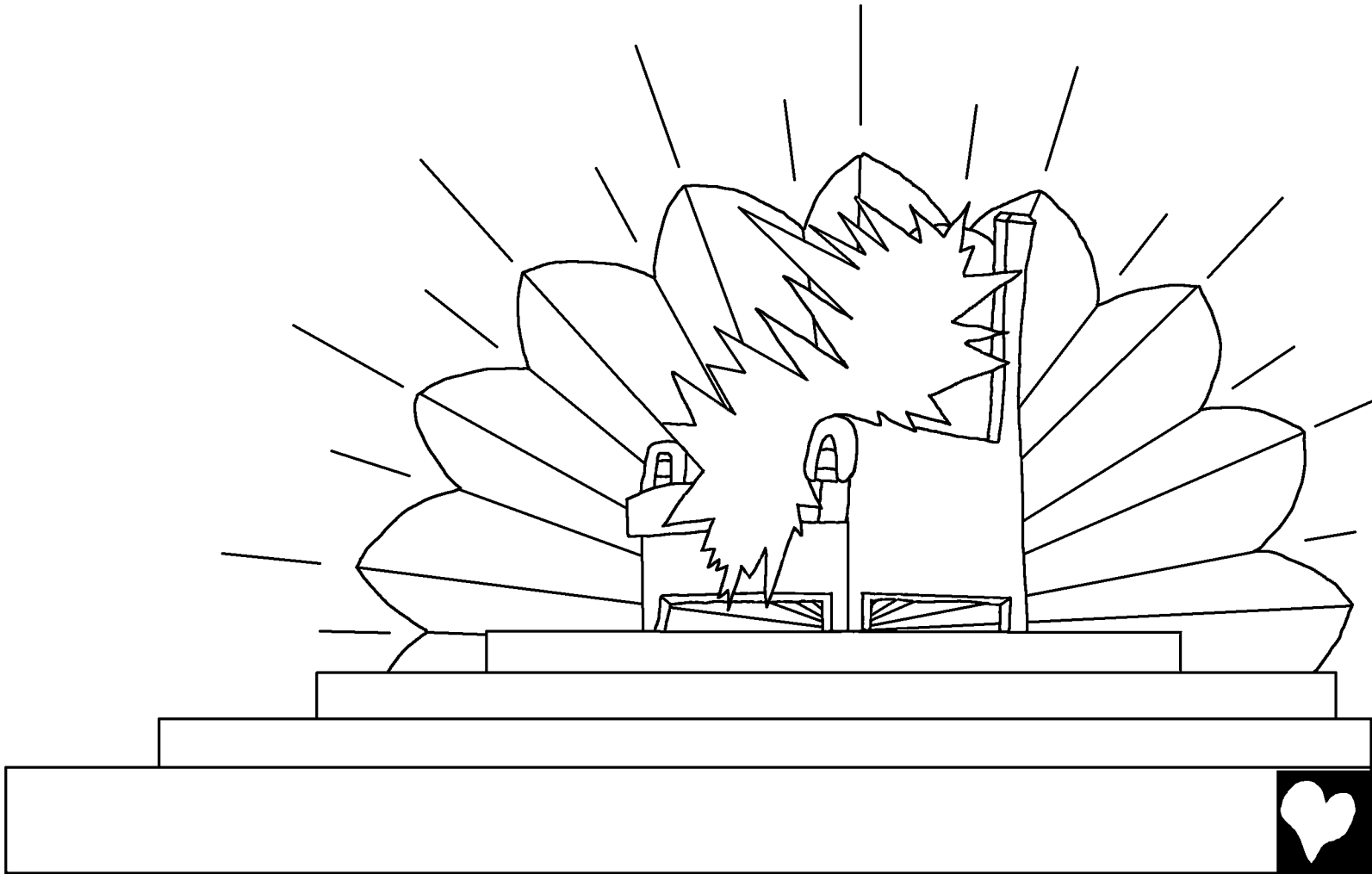


A Godibōu Yesubōu dilie tā hehegiligibe, ame
damaleyodeiyodei kaha, damaleyodili mei o
kediā a hele mugumōu hagua, to tibi sa

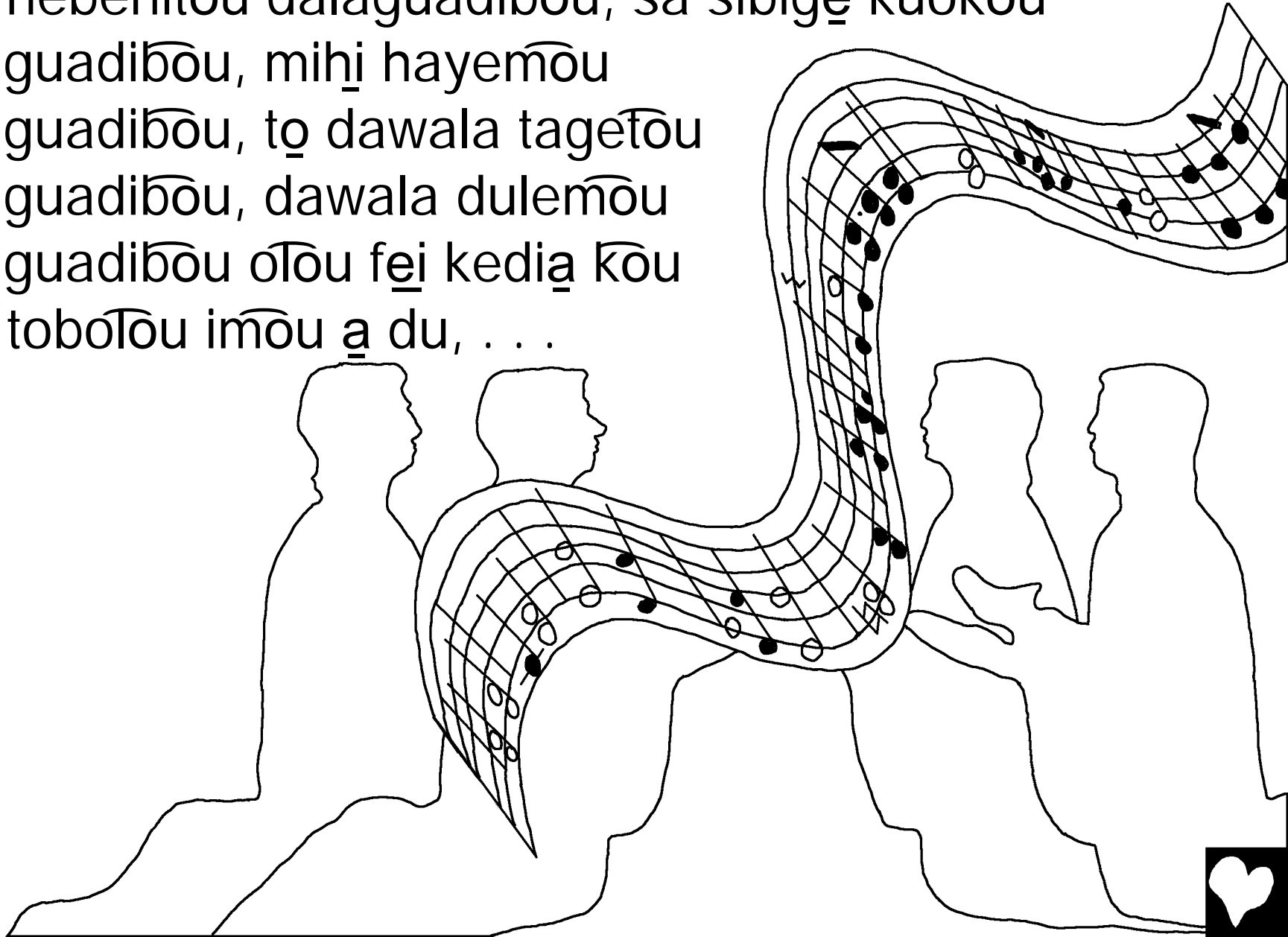
Patmoskōu dala kuhe.



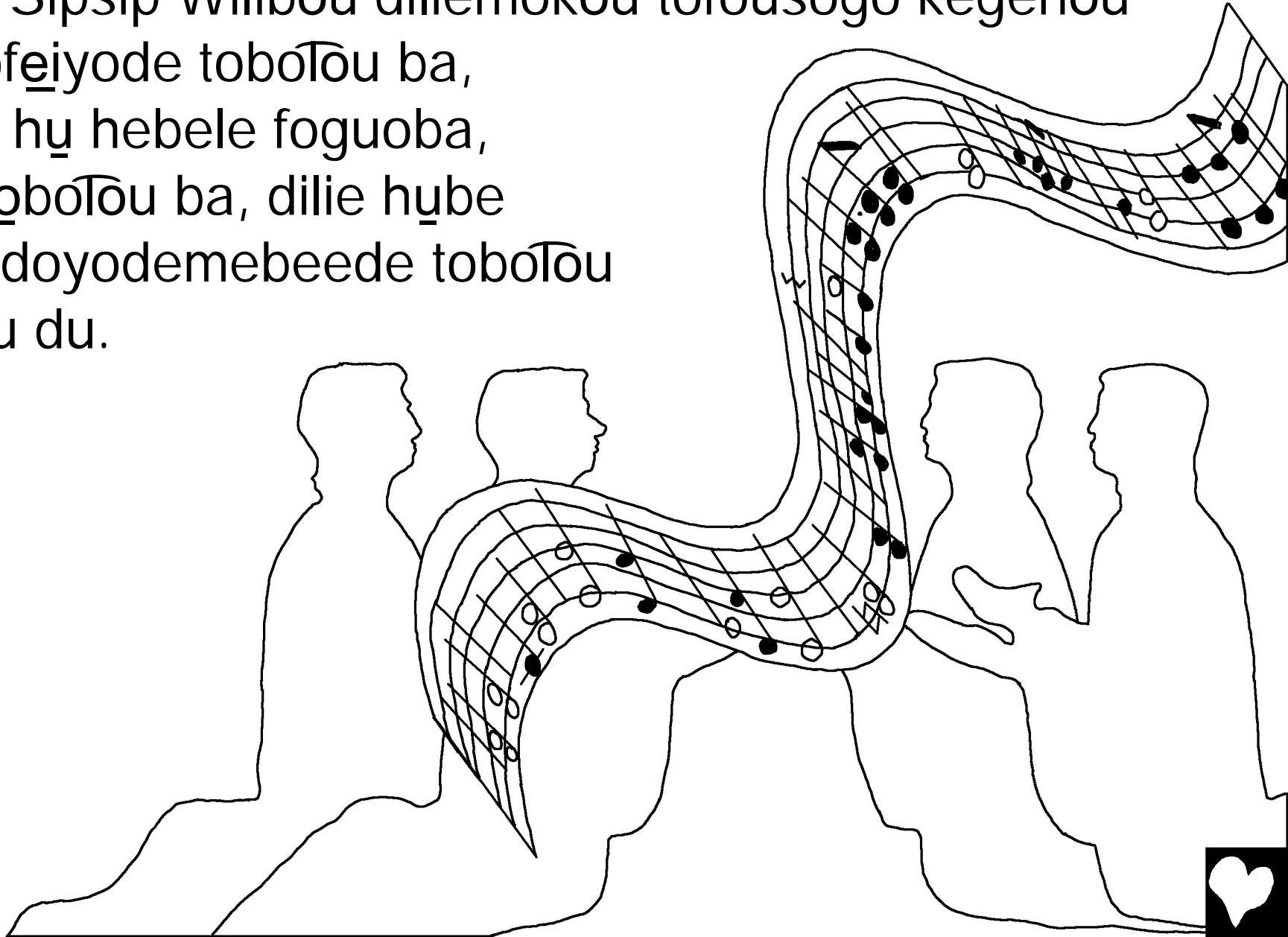
Kege tobōu mōu, Duo Bolofeiha mā duledu neledo
dege tōu mōu, a diho bohōtōu mā mōu dugube, duwodi
bolodo ta hebenitōu dalamōu, kotōu Hiye O ta
duwomōu dugu.



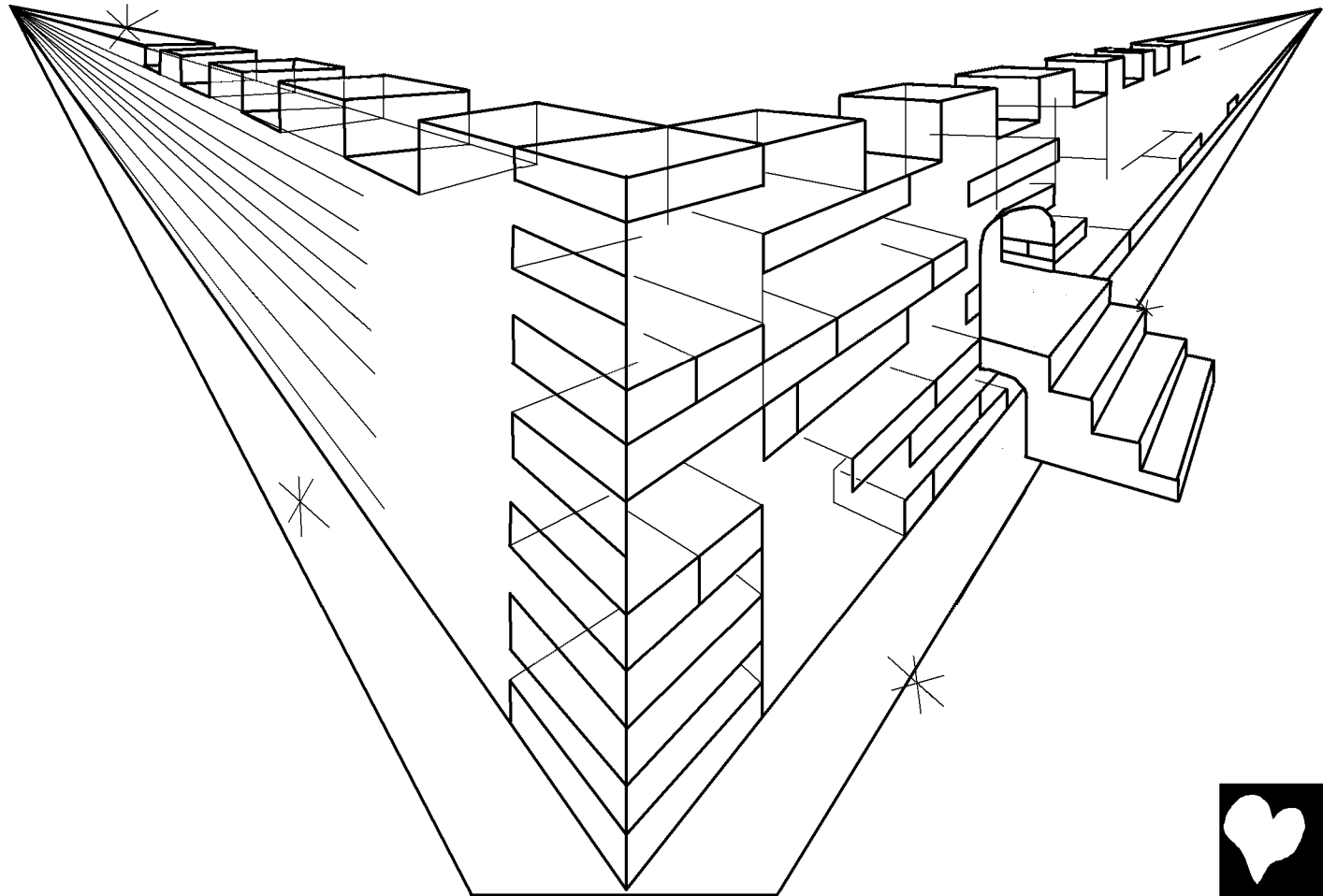
Kegemōu, bi Godihā mītōu gai otōu fei kediane tā
i. Bi hebenitōu dalaguadibōu, sa sibige kuokōu
dalaguadibōu, mihi hayemōu
dalaguadibōu, tō dawala tagefōu
dalaguadibōu, dawala dulemōu
dalaguadibōu otōu fei kedia kōu
gue tobotōu imōu a du, . . .



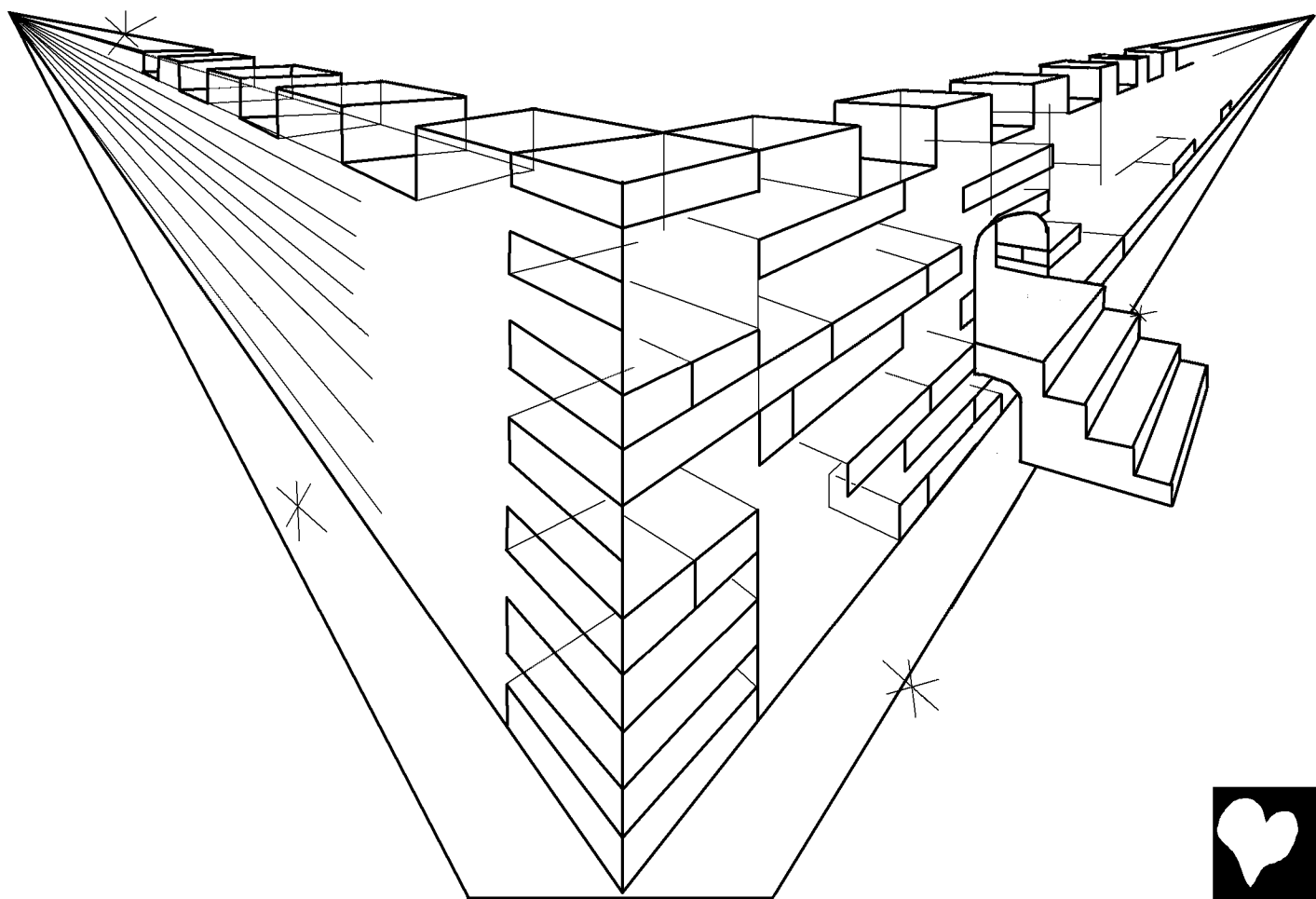
. . . Di duwodi bolodo kotou duwodi Hiye Obo,
Wai Sipsip Wilibo diliemoko tofousogo kegen
bolofeiyode tobotou ba,
dilie hu hebele foguoba,
hohobotou ba, dilie hube
hiyedoyodemebeede tobotou
imou du.



A baha dalali dugube, Godiḥa sa Jerusalem ebele keme sasaiye o hulamou similou nebou do kenou tefei kaha hebeni tou fogou migimou dugu. Godiḥa duwodi bolodo kotou ge ta uwo ta hiligedo kou gue tobou mou du, na du, Godiḥa mosobe o sasai kedia duledu dala.



Godi ume o sasai kediabou de dalale. Diame you e o sasai. Damaledo, Godibe o sasai kediabou de dogou guo dalale. Ume die Godi.



Kegemōu, esol o kaha amokou fi nedi to ke hegi. To
keme sibigibou mei, galase hohonou tefei. To kaha e
soube Godibou Wai Sipsip Wilibou dilie duwodi bolodo
kotou ge felei.



Asobou oguobou ne ta duguli mei. Yobe, Godiha hoho
hiyedo kou hohogu dala kaha. Wai Sipsip Wili kahage
kamai бага hohoguo dala.



Sa gehē kokou be bi sibigibou ta mouma fologale mei.
Midihō kasagai mitou ga idi o sasaibou, haba ogou gai
ta tobotou idi o sasaibou
kediāne ta fologale mei.
O sasai die hu Wai
Sipsip Wili
kaha e Fiha Kuguo
kokou nalagai dala
kediānou si fologale.



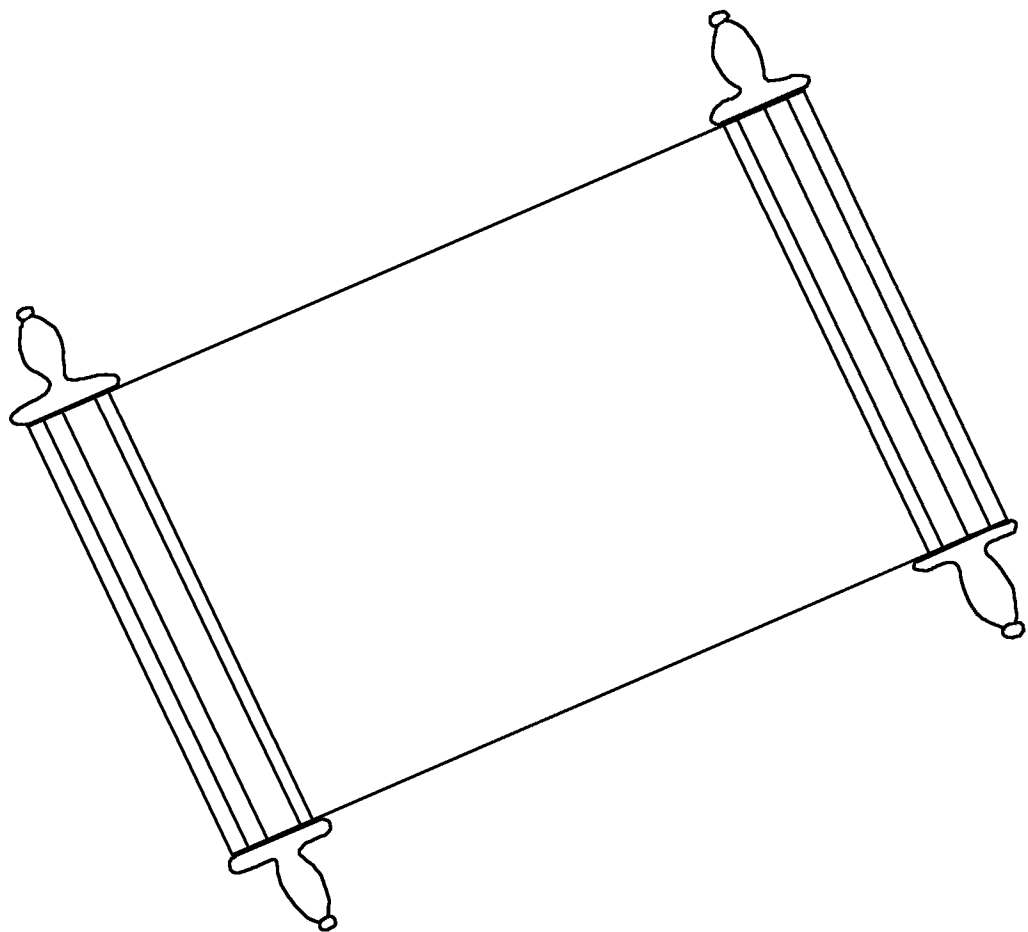
Godi ume o sasai kedibou de
dalababe, ta gosolo ile mei,
Godiha die diho huei ke otou fei
towa muguo mei degele.
Tofigiedi kene mei degeiba,
sihou gosodibou, do dugudibou
kene mei degele. Afu delei
midiho keme otou fei mei degele.



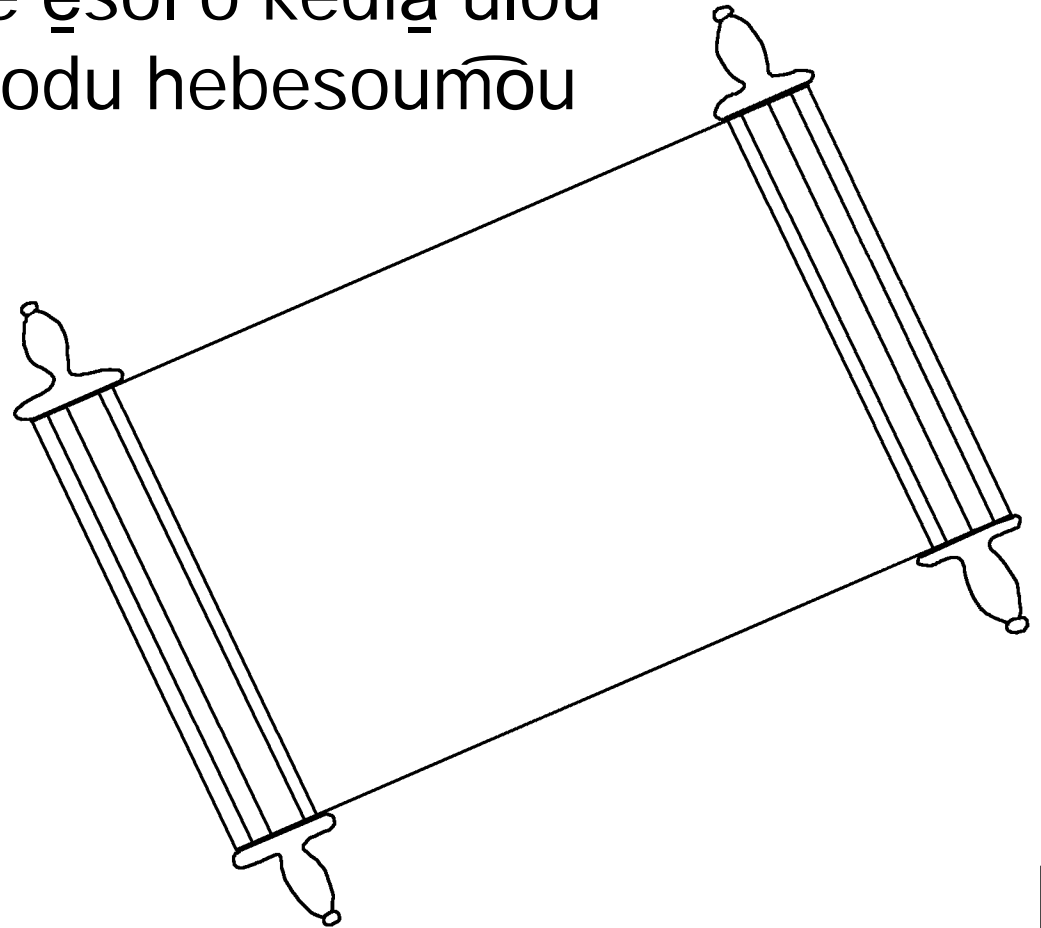
Godihā tagale mei bimāi, e igisele sagai keme kele ta dalale mei. Godibōu Wai Sipsip Wilibōu dilie duwodi bolodo keme sa gehe kodu dalale. Godihā e dabai degedi o kediañōu e dabai degele ile. O kediaḡe Godihā midiho dugulo ile. Die wodemekōu be Godihā e hu nalai dalale.



Sa sibige**ḅ**ou agudiob**ḅ**ou de mei degeim**ḅ**ou, hu**ḅ**ou o sasa**ḅ**ou, hu**ḅ**ou mei o sasa**ḅ**ou tofigile i kedia**ḅ**ame Hiye Oh**ḅ**a duwodi fo degei kaha**ḅ** midihok**ḅ**ou tafalaguam**ḅ**ou dugu. E**ḅ**sol o kedia**ḅ** kuguo s**ḅ**udo haguagimam**ḅ**ou, haba kuguo tane hagu**ḅ**ai.



Keme Fihā Kuguo. Hiye Ohage kuguo kokou
dugoumou, tofigiei o sasai kedia midihō kasagaihou,
haba midihō bolobou mitou ga idi otou fei ke kuhe
figoumou dugu. O sasai otou fei, die hu Fihā Kugoukou
nalai dala mei kediane esol o kedia ulou
hiyedo dou wobotou kodu hebesoumou
dugu.



Duo Bolofeibo, Wai Sipsip Wili kaha sasaibo diliege
name toto haguayede tobotou ili. O sasai koyohau tau ke
dubabe, ilo kediamoko toto haguamabeede tobou
ma. O koyohau huei naleu sagai degeibabe, haguba, au fi
nedi huei keu ulu mou dou la neiba, eu naleu.



Godiha sa sibige o sasai otou fei
sotou do hiyedo degemou, you e Dihi
tanou fei ke dimokou nei. O koyoha
emokou damaleyodebabe, o keme
makolo mei, fi tofousogo tofousogo
tofotou ke motou.



Rom 3:23 O sasai di otou feibe midiho kasagai mitou di kaha degemou, dige Godiha hoho, hebenitou dala keme ta motou sagai mei.

Rom 6:23 Midiho kasagai mitou di kaha hebebe todinou. Kenou si Godiha dimokou fi gehe ke sotou do neimou, di Hiye O Yesu Kelesuha degeiye, di tofousogo tofotou ile.

Hibru 9:27 Kenou tefei, o sasai dine tanou fei tolo haguaba, habagebe Godiha di ta sale.

Efesus 2:8,9 Godiha ni habagugueimou, ni Kelesukou damaleyodeimou, Godiha ni kuhe mamou. Godiha ni mamou kaha e yobe kou guei, Godiha younou nimokou sotou do degemou mou youwa kuhe mamou. Koume niou nou degeli mei, Godi younou degei.



Godihā di mamōube, di ẹ dabal ta degeimōu kaha hebeye mamōu li mei, di diyōu sie di hu hiye degeiye domōu.

Rom 10:9,10 Ta keme kōu gue, ni Yesube Hiye Oyode tamā dege tobotōu ba, ni duleduge Godihā Yesu widaikōu ge haguagi kokōu damaleyodeibasi, Godihā ni mamotōu. Di duledube damaleyodei dala kaha degemōu, Godihage dibe dōudo o sasaiyodele. Di mogouye damaleyodei ke tamā dege tobōu di kaha, Godihā di mamotōu.

Jon 3:16,17 Godihā sa sibige o sasai otōu fei sotōu do hiyedo degemōu, yōu ẹ Dihi tañōu fei ke dimokōu nei. O koyohā emokōu damaleyodebabe, o keme makolo mei, fi tofousogo tofousogo tofotōu ke motōu. Godihā ẹ Dihi tobōu mōu migibe, sa sibige o sasai di ta salamōu migili mei. Di mamōu lamōu migi.



1 Jon 5:11-13 Godihā dimokōu kōu hegi kaha e sibigebe kōu gue, e dimokōu fi gehe ke nei, di tofousogo tofousogo tofou mabodomou. Fi gehe keme Godihā Dihi emokōu ge haguei. O ta Godihā Dihibou de dogou guo dala keme fi gehe ke ebou de dala. Kenou si o Godihā Dihibou de ta dogou guo dala mei keme fi gehebe ebou de dala meido. Godihā Dihikou damaleyodei o sasai diama, nige nime fi gehe, you kegenou dalale kebou de dalayode tawamabodomou, a ta kou kuhe nalolu.



Jon 14; 2 Korin 5; Mogogou Tā Hegi 4, 21, 22

Storyline by: Edward D. Hughes

Illustrated by: Lazarus
and Alastair Paterson

Adapted by: Sarah S.

Konai NT (kxw) © 2014, Wycliffe Bible Translators, Inc. All
rights reserved.

<https://www.bible.com/bible/1567/MAT.2.KXW2014>

©2025 Bible for Children, Inc.

www.M1914.org

www.bibleforchildren.org

