

www.BibleForChildren.org

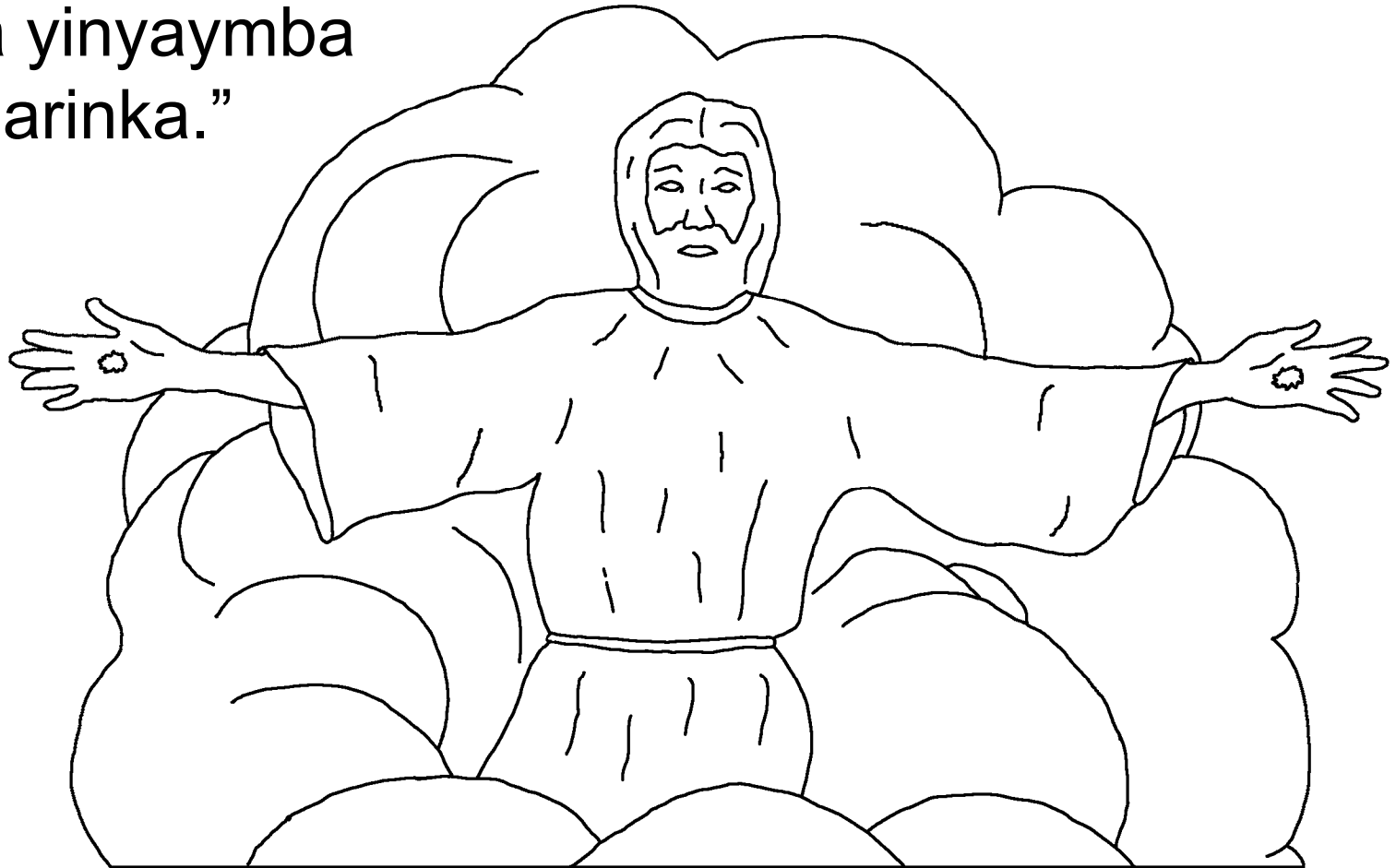


Kaban

Johnnumu 14



Jesusangka jawun-karranda yalaman, “Kari wawu-buyunmaka. Kari milka-bujarmaka. Godundu mambarrijika, yalarrku ngaykundu mambarrijika. Bayan wubul bajaku ngaykuwunbu nganjanandamunbu bubungu. Ngayu dungay, bayan yanday-bunganka, yurra yinyaymba bundarinka.”

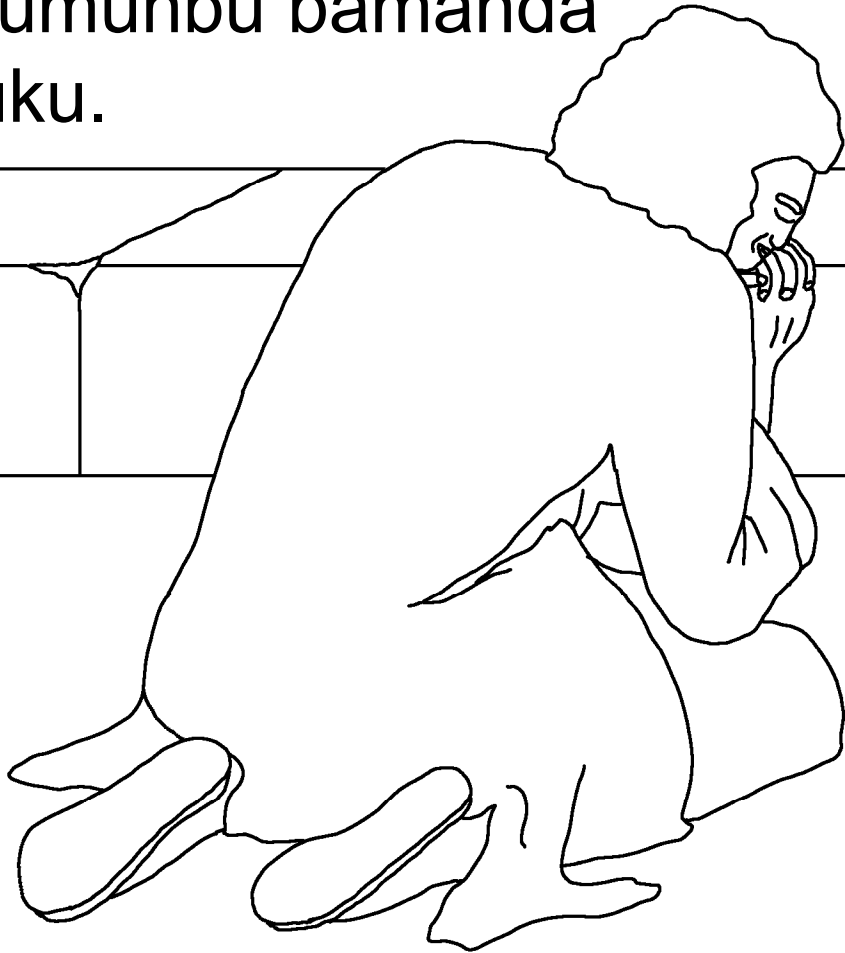


“Yinya kari manubajamanyaku, ngayu yurranda yinya kuku kari balkanyaku. Ngayu dungay, bayan yurranga ready-bunganka. Ngayu bubunguku kaday baja, yurranin manil, wundil, yurra ngaykunji bundarinka.”



Yala, ngayu John, yurranga jawun. Ngayu Jesus
wukurrinya, ngayu yala yurra. Jana
kuli-bakangka kuli jirray dajin-dajilkuda,

Godundumunbu bamanda
wubulbuku.



Ngana kuli kari dajil baja. Kari. Jana kuli dajil,
ngana jankaku bunday, munaku. Ngayu
Godumu kuku balkanya, Jesusamu

kuku manubaja balkanya,
jana nganya wundin



yalaymba burrira
Patmos, bawaynda.



Godumu Wawu ngaykunku majamanda. Ngayu
heavenba nyajin chair ngulkurr. Nyubun
bundandan yinyaymba chairnga.

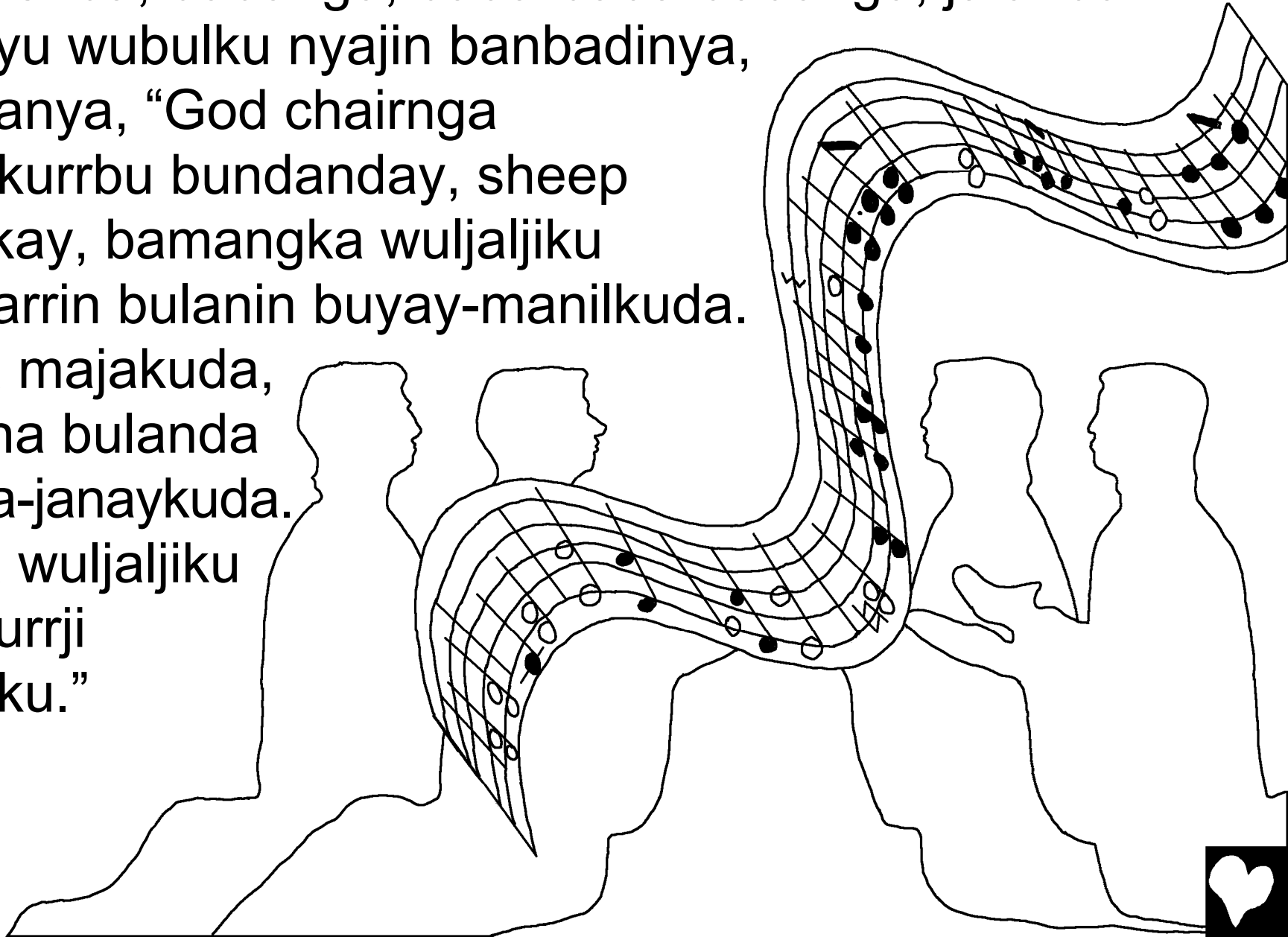


Ngayu wubulku nyajinda banbadinya, wubulku
heavenba, bubungu, bada-bada bubungu, jalunbu.

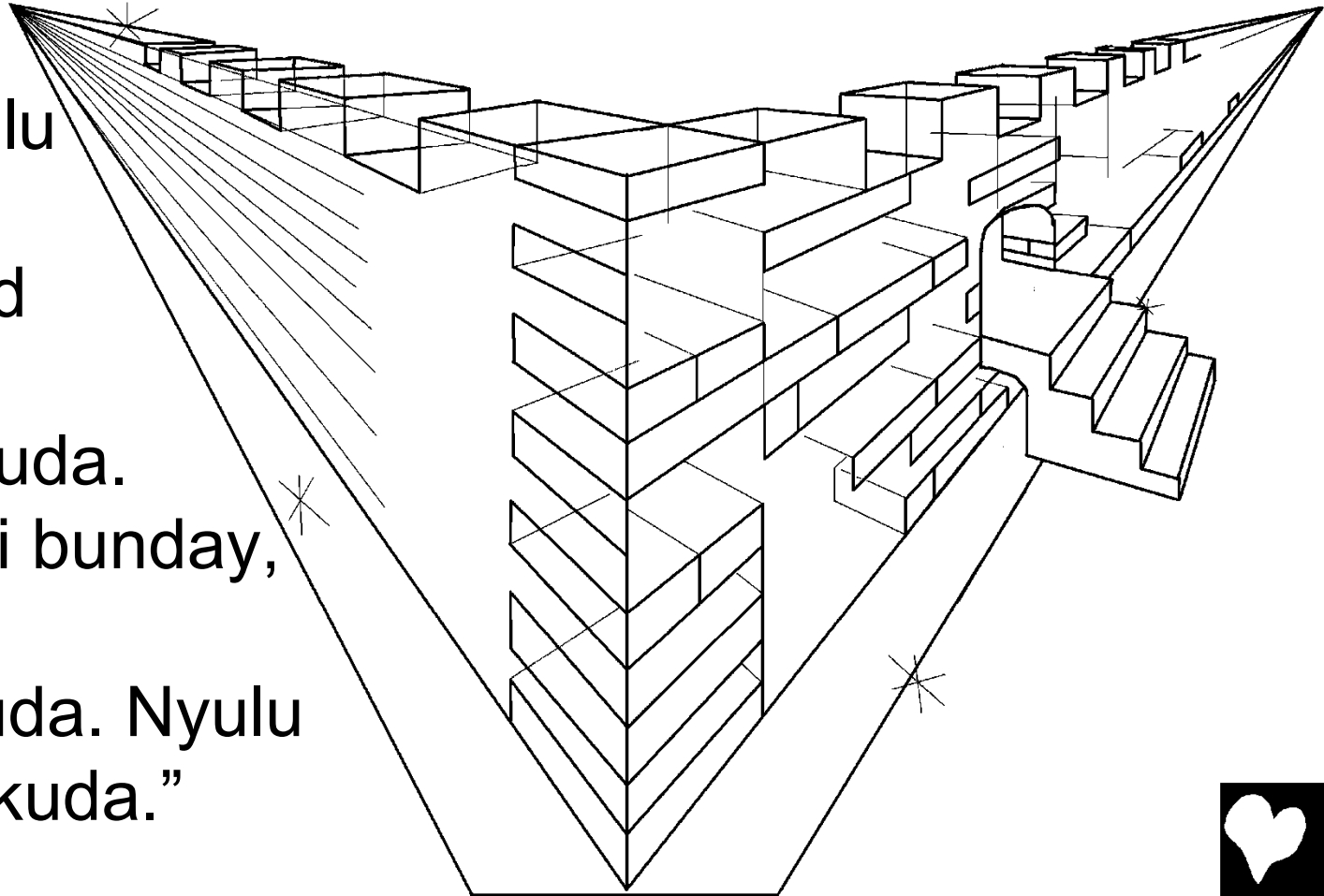
Ngayu wubulku nyajin banbadinya,
balkanya, “God chairnga
ngulkurrbu bundanday, sheep
karrkay, bamangka wuljaljiku
yinyarrin bulanin buyay-manilkuda.

Bula majakuda,
ngana bulanda
milka-janaykuda.

Bula wuljaljiku
junkturji
bajaku.”



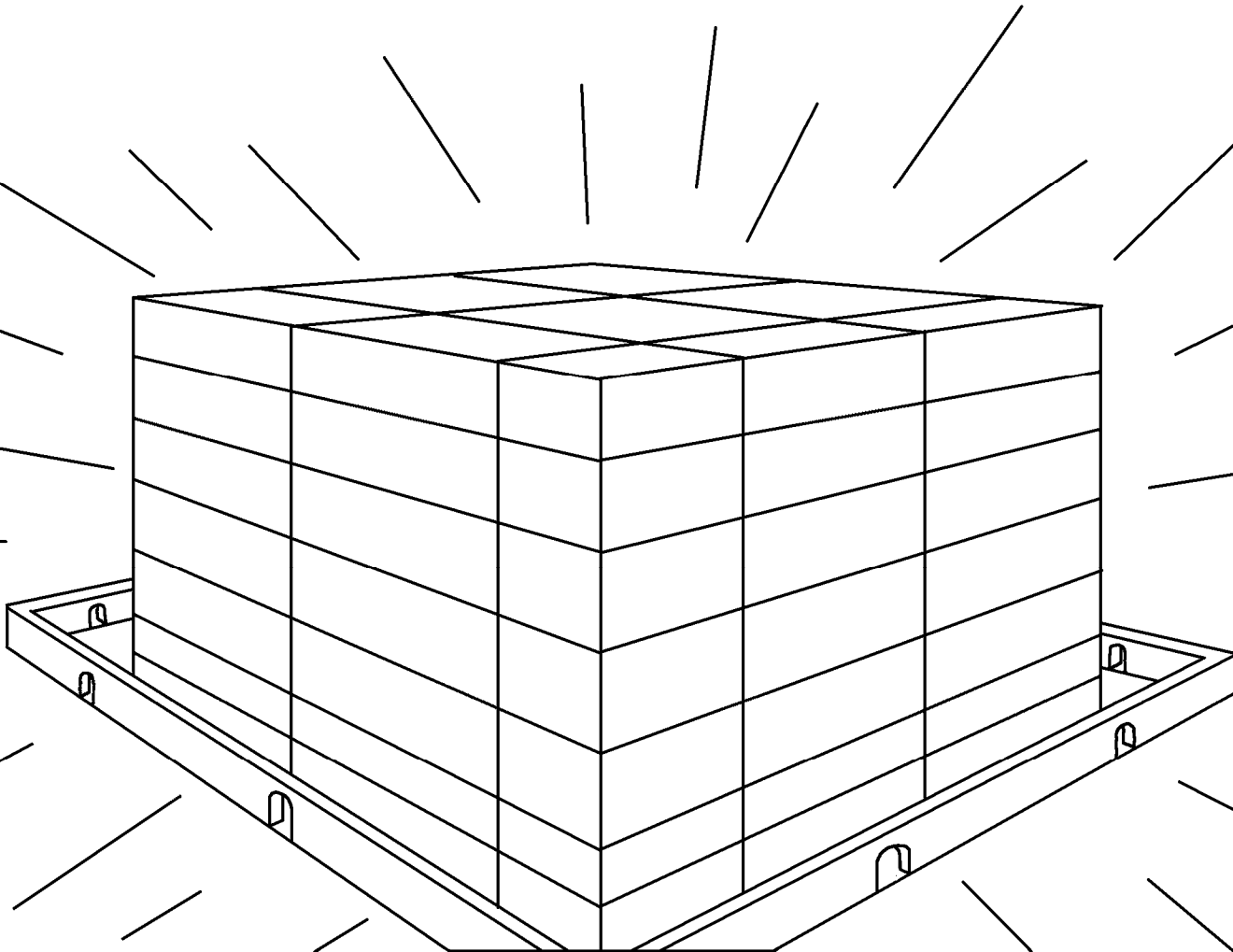
Ngayu town ngulkurr bajaku nyajin heavenmun
kankadanya. Yinya town Jerusalem jirakal, Godungku
ready-bungan, bubungu yungaynda heavenmun. Yinya
town yala maral kambiji jirakalji, readymanya
weddingka, dunyunku. Ngayu kuku nyajin, kuku
Godundumun
chairmun. Nyulu
yaykarrdaku
yalaman, “God
bamanji
bundayarrkukuda.
Nyulu bamanji bunday,
jana nyungu
jawun-karrakuda. Nyulu
jananga majakuda.”



Yinyangka angelangka ngaykundu milbin wawubaja dayirr bajaku. Yinya wawubaja dayirr yala kilajamundu wungarabu balbal-balbal. Kaki bamangka yinya bana wawubajamun nukal, nyulu wuljaljiku juranku bunday. Yinya wawubaja warri Godundumun chairmun, chairmun sheepandamun karrkayandamun.



God dayirr bajaku, nyuluku yinya town balbal,
wungarabu kari. Yinya sheep karrkay yala
lampmundu balbal-balbal, kijangka kari.



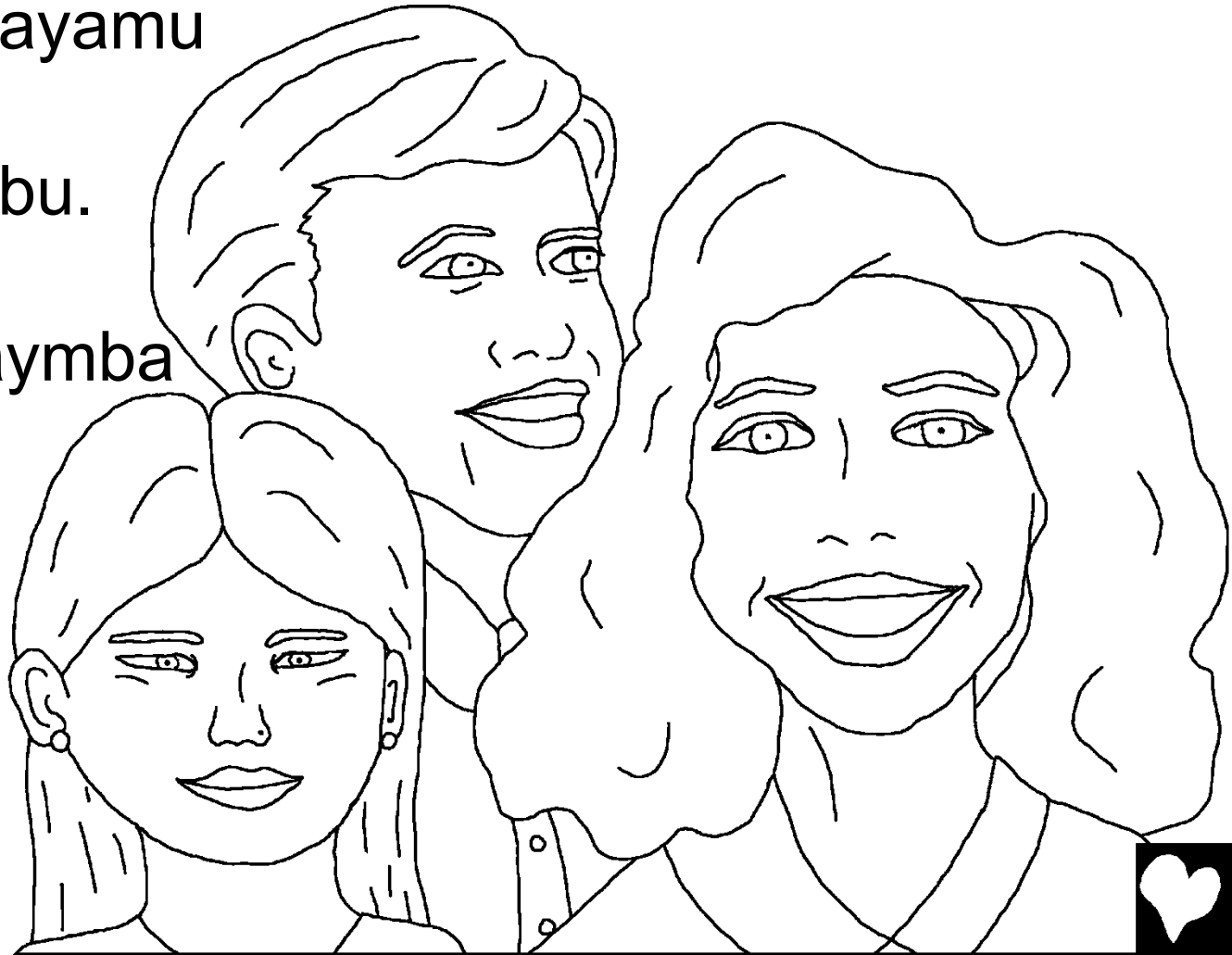
Jana yamba-yamba buyun kari wundil. Kaki bama yarbarrka buyunmal, nyulu yinyaymba townbu kari walal. Bama jurril-baka kari walal. Bama burri sheepandamunbu karrkayandamunbu kabanba, janaku walal. Jana wuljaljiku juranku bundari, burri jana yinyaymba kabanba wunananya.



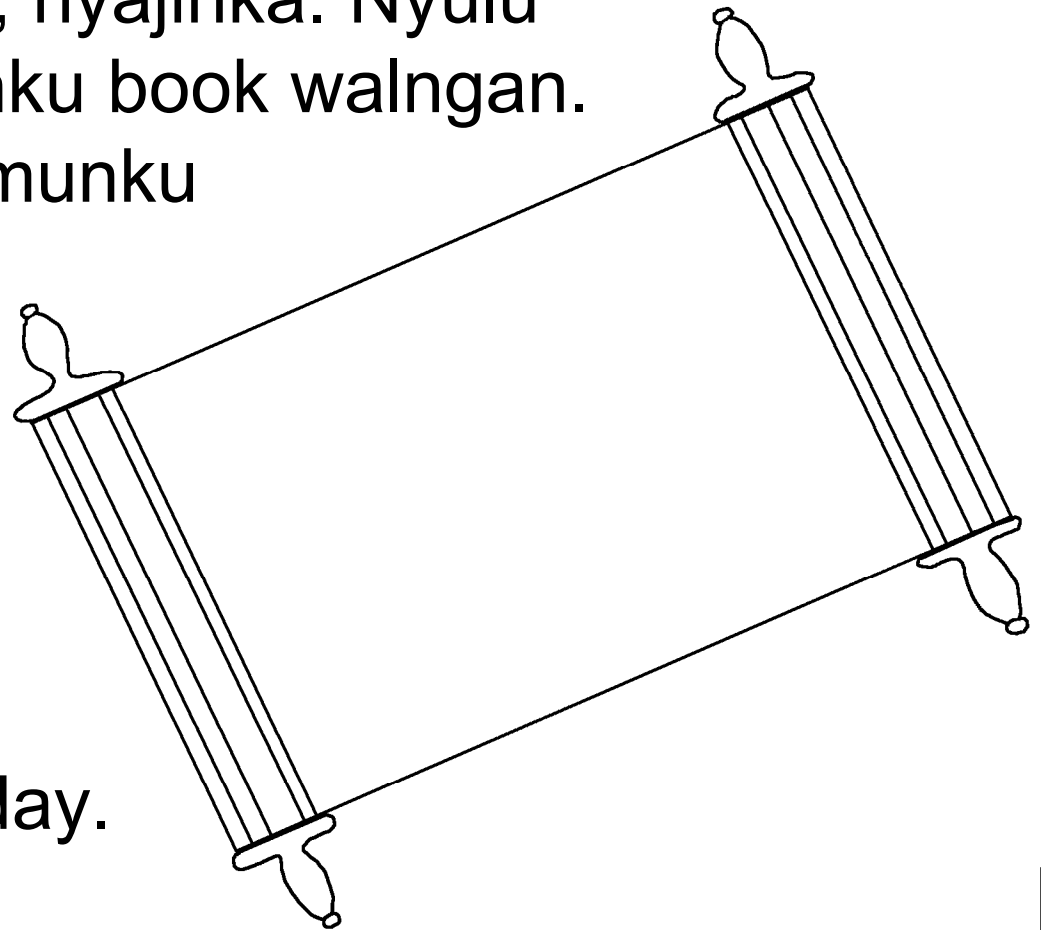
“God bamanji bundaykuda, nyulu jananin
ngulkurrduku kujil, wawurr-wawurr-bunggal.
Yinyaynka bama karida wulay baja, karida
warrngkay baja, karida milka-bujarku
badi baja. God majakuda, nyulu
bama jirakal-bungalkuda,
walu-yindu-bungalkuda.
Bamangka junjuy-junjuy
ngadi-ngadimunku bawalda,
jirakalda wukuril.”



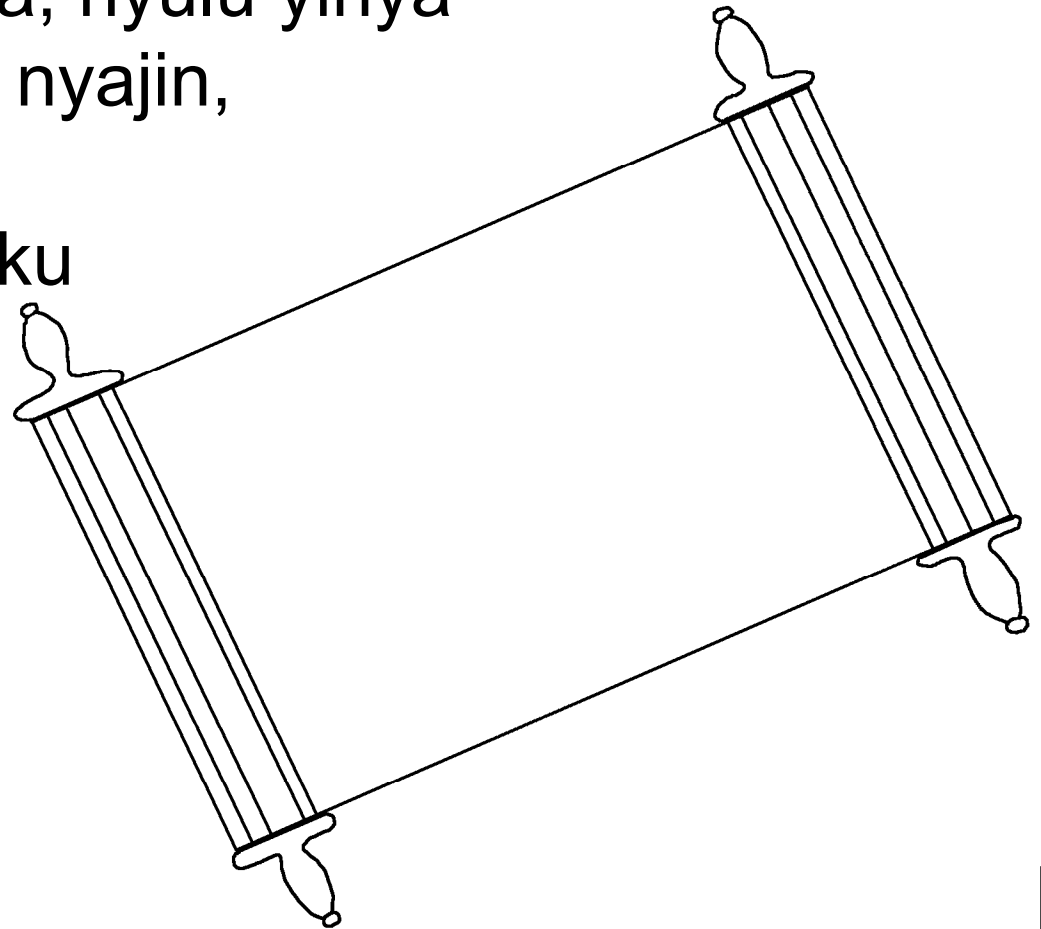
Godungku ngadiku balkan nyulu bama bada-bada
bayanga yunganka, bama yinyarrin nyungunku wawu
kari. Bama Godunku wawu kari, jana yinyaymba
townbu Jerusalem kari walal. Godumu chair ngulkurr,
sheepamu karrkayamu
chair ngulkurr
yinyaymba townbu.
Godundumundu
bamangka yinyaymba
nyungun miyilda
nyajil,
buyay-manil.
Nyungu burri
janawunbu
munjungu.



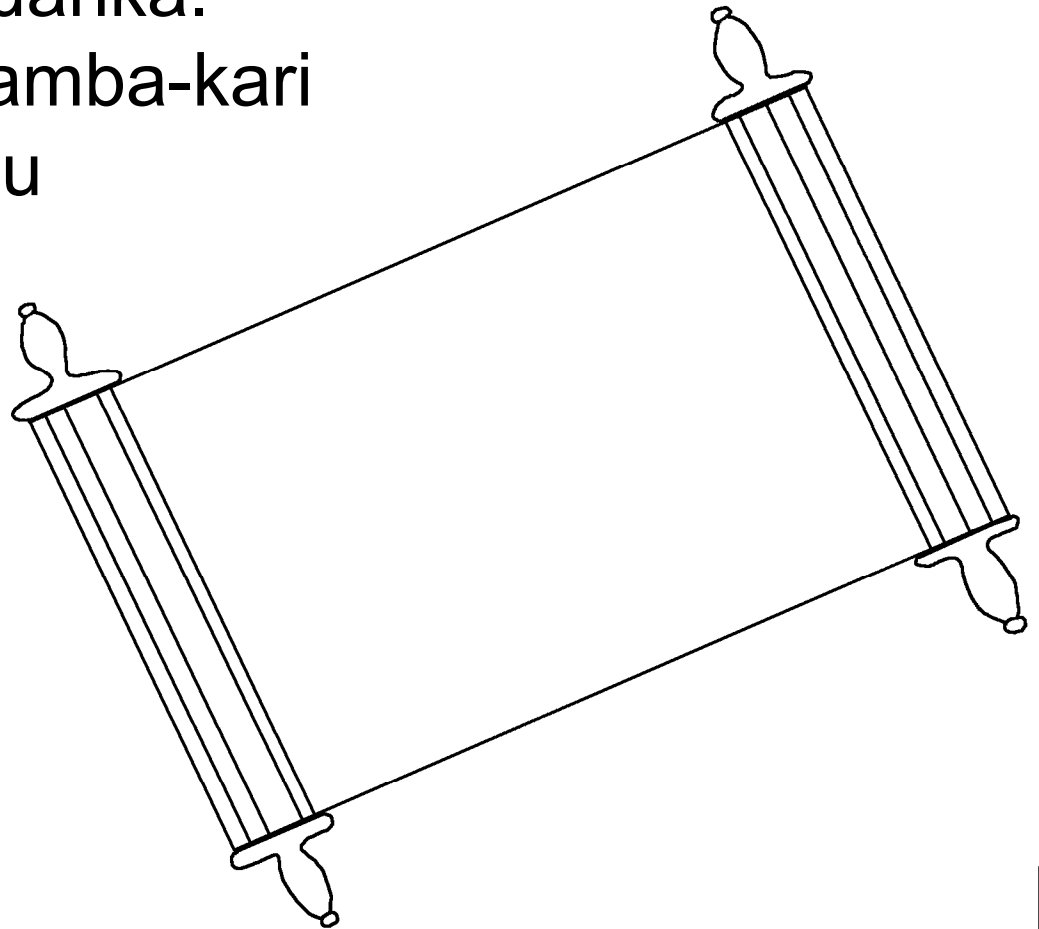
Ngayu nyajinda, yarkin-yarkin wubul bajaku. Kanbal
yinyarrin bubunguku kanbal maja-maja, kanbal maja
kari. Wubulku ngayu nyajin janjananya jakalba
chairnga bingajimunbu. Nyulu chairnga, nyulu kaban
books wubul walngan, nyajinka. Nyulu
yalarrku yindu nyubunku book walngan.
Yinya book Godundumunku
bamanka wuljaljiku
juranku bunday. Kaki
bamanga burri
yinyaymba
nyubunyimba
bookmunbu, nyulu
wuljaliku juranku bunday.



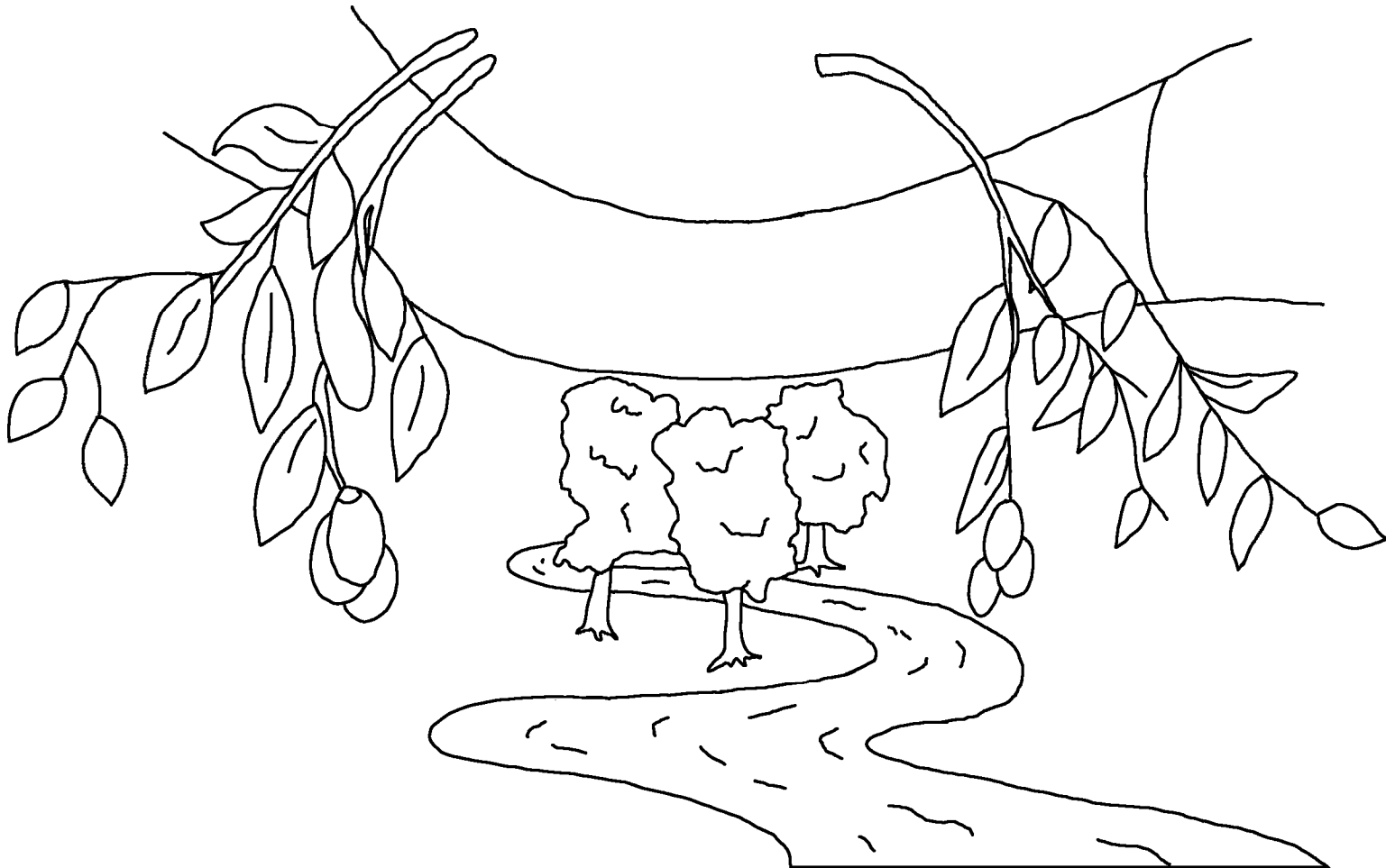
Kaki bamanga burri yamba-kari yinyaymba
nyubunyimba bookmunbu, nyulu kari wuljaljiku juranku
bunday. Bama bubunguku buyunman, angelangka
yinya buyun-buyun kabanba bookmunbu wubulbuku
balkan. Nyulu chairnga, nyulu yinya
kaban books wubulku nyajin,
bamanda wubulbuku
nyubun-nyubunyunduku
balkan,
courtcasemunbu.



Nyulu kaban books wubul walngan, nyajinka jana
wanjarrman bubunguku. Nyajinka jananga
buyun-buyun, jananga ngulkurr-ngulkurr.
Yinya book nyubun Godundumunku bamanka
wuljaljiku juranku bundanka.
Kaki bamanga burri yamba-kari
yinyaymba bookmunbu
nyubunyimbaku,
angelangka jananin
bayanga yilbal.



Godundumundu Wawubu kunjaj, “Kadayarr.” Yinya maral sheepamu karrkayamu manyarmanka, nyulu kunjaj, “Kadayarr.” Kaki bama wawu-wulay, nyulu kaday, bana nukanka.



Yinya bana present Godundumun, bama
juran-bunganka. Bamangka kari payim-bungal
yinyaynka banaka. Kaki bama yinyaynka banaka
wawu, nyulu kaday, mana.



God bamanka wubulkuku wawu jirray
bajaku. Yinyaynka nyulu nyunguku
nyubunku kangkal bubungu yungan.
Kaki bama janaku mambarriji
nyungundu, jananga wawu kari
wulari. Jana wuljaljiku juranku
bundari.



Kaban Roman-warranda 3:23

Bamangka wubulduku buyun-daman. Yinyaynka ngana ngami-ngamiman Godundumun. Ngana kari bajaku ngulkurr yala Godnguy.

Kaban Roman-warranda 6:23

Kaki bamangka buyun-buyun wukuril, jana wuljaljiku ngami-ngamimal Godundumun. Jana wularikuda. Kaki bama janaku Majanda Jesus Christanda dajiji, Godungku jananin juran-bungal, nyungunji wuljaljiku bundarinka.

Kaban Hebrew-warranda 9:27

Bama kari wulay baja, wulay baja. Kari. Ngana nyubunku time wulaykuda. Yinyamun Godungku ngananin wundil courtcasemunbu, babajinka buyun-buyunku.



Kaban Ephesian-warranda 2:8,9

Godungku ngananin juran-bungan, ngana nyungundu
mambarrijinya. Nganaku bamaku kari juranmal. Kari.
Godungkuku wawubu bama juran-bungal. Yinya yala
Godungku present dajinka bamanga, jananin
juran-bunganya. Ngana kari bajaku work ngulkurr
balkanya, Godungku ngananin wawu juran-bunganka. Kari.
Godungkuku ngananga wawu juran-bungal, ngana kari
bulmbuymanka.



Kaban Roman-warranda 10:9,10

Kaki ngana ngulkurrmanka buyun-buyunmun, ngana must believeim-bunga Godungku Jesus yarkinmun juran-bungan baja, and ngana must bamanda manubajabuku balka nyulu ngananga majakuda. Kaki ngana junkaymanka Godundumunbu miyilba, ngana must nganaku Jesusanda dajijika, nyungun believeim-bunga. Yinyamun ngana must bamanda balka nyulu ngananga buyun-buyun kidankuda.

Kaban Johnumu 3:16,17

God bamanka wubulkuku wawu jirray bajaku. Yinyaynka nyulu nyunguku nyubunku kangkal bubungu yungan. Kaki bama janaku mambarriji nyungundu, jananga wawu kari wulari. Jana wuljaljiku juranku bundari. Godungku kari nyungu kangkal yungan bama punishim-bunganka. Kari. Nyulu kangkal yungan bama juran-bunganka.



Kaban 1 Johnumu 5:11-13

Godungku wanyu balkan? Nyulu balkan nyulu ngananga wawu juran-bungan wuljaljiku. Nyulu nganangan juran-bungan nyunguwundu kangkalangka. Kaki ngana nyungu kangkal nganawunbu wawungu kujil, ngananga wawu juranmal. Kaki ngana nyungu kangkal kari walay-manil, ngananga wawu kari juranmal. Ngayu yanyu kabanba balkal-balkalda, yurra binalmanka yurranga wawu wuljaljiku juranku bundayda. Kaki yurra Godundumunbu kangkalanda milka-janay, yurra wuljaljiku juranku bundari Godunji.



Kaban Johnumu 14; Kaban 2 Corintian-warranda 5;
Kaban Revelation 4, 21, 22

Storyline by: Edward D. Hughes

Illustrated by: Lazarus
and Alastair Paterson

Adapted by: Sarah S.

Kuku-Yalangi Bible (gvn) © 1985, Wycliffe Bible
Translators, Inc. All rights reserved.

<https://www.bible.com/bible/1375/GEN.1.GVNNTOTPO>

©2026 Bible for Children, Inc.

www.M1914.org

www.bibleforchildren.org

