

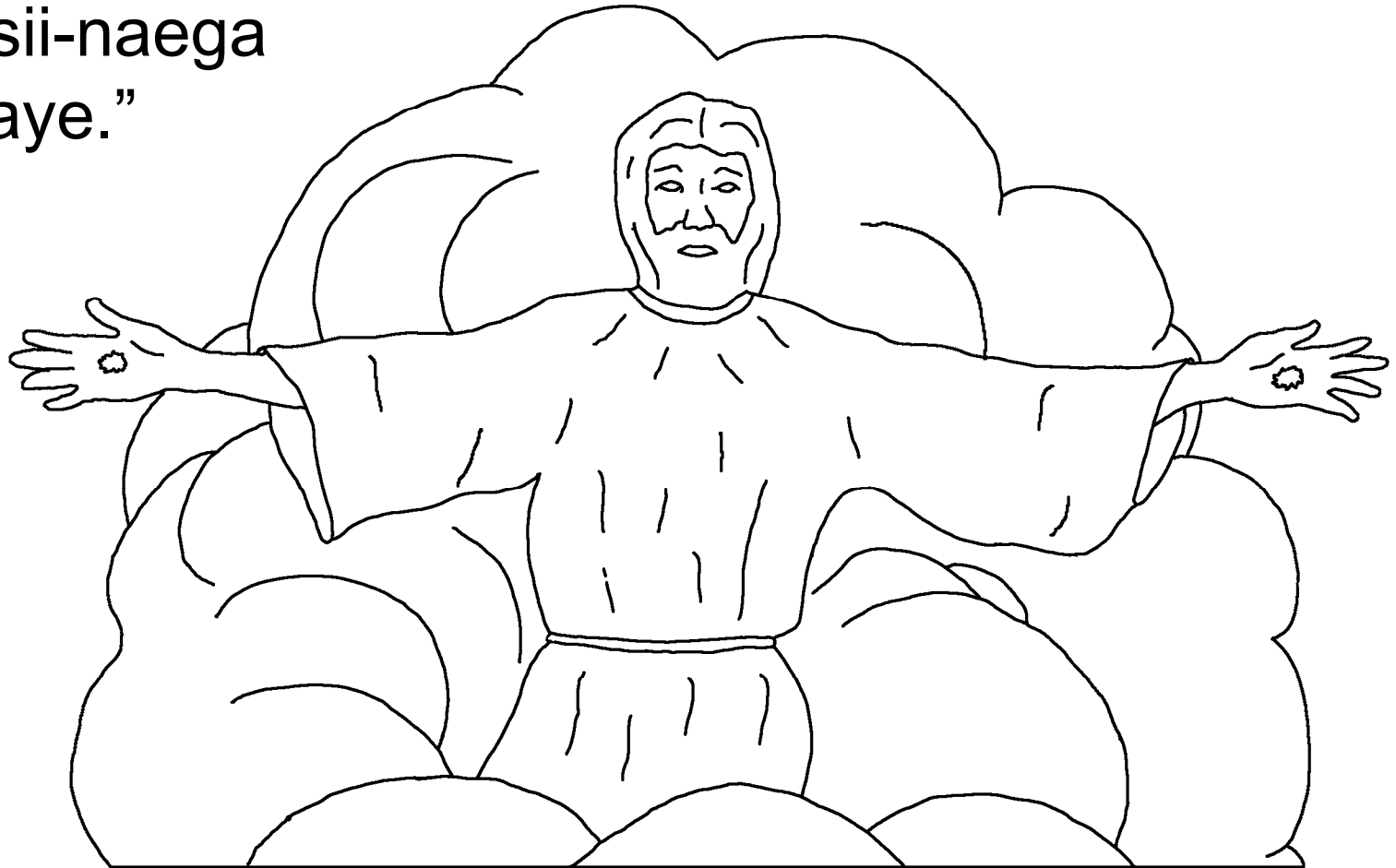
www.BibleForChildren.org



Juan 14



Jesús e-sapinganga sogded: “Mer surbinsa be-gwagegi be itomalo. Bab-Dummadgi mer be bengumalo. Degine, mer angi be bengumarbalo. An-Bab-neggi neg-nuegan-bukidar nikad. Ar degisulina, an bega sogosurmalanad, an bemar-idu guagwar neg-sii-naega an naye.”

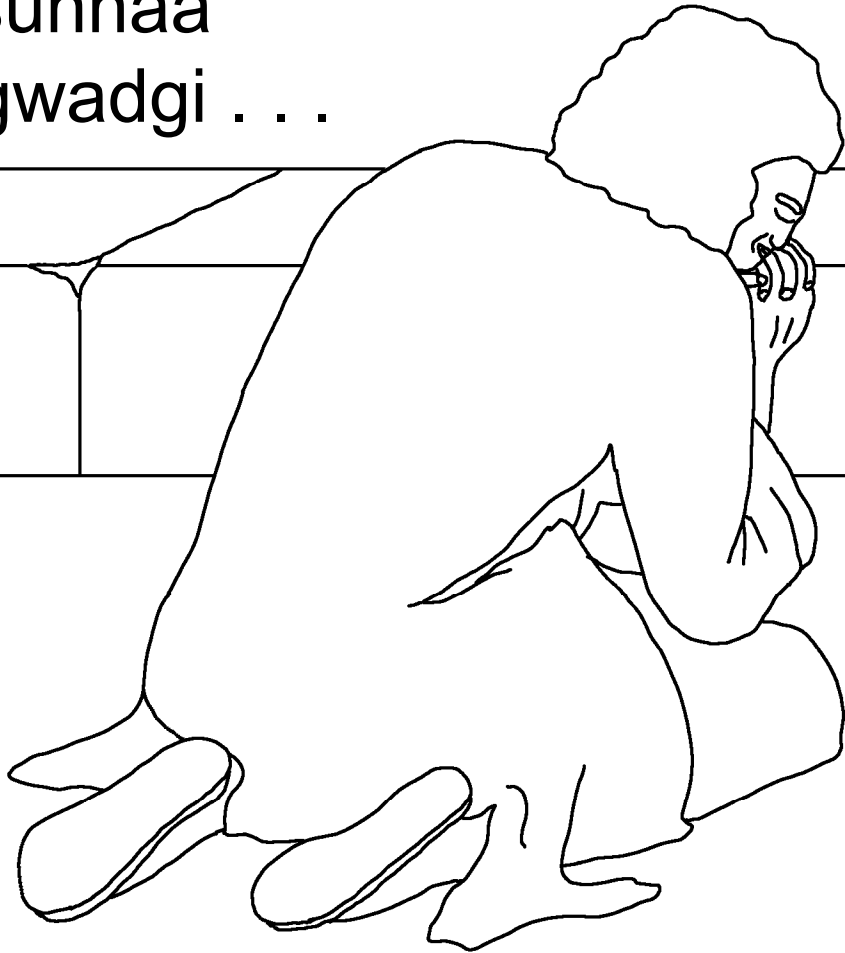


“An bemark-idu-naogu, an bemarga neg-guagwar-
sisale, an bemark-sudagega gannar an danibaloed.
Adi, an-gudiguoedgi, bemark anba gudii gumogagar.”



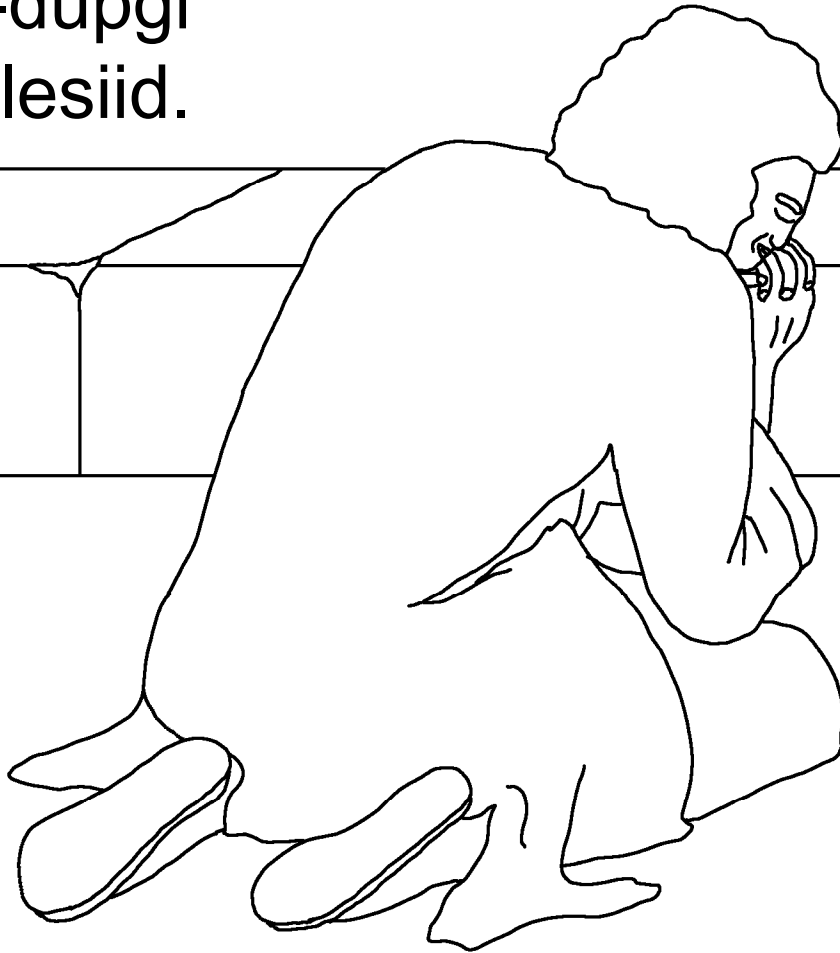
Ani Juan bemark-gwenad, bemark-sunnaa
wiledimogad. Bemark-sunnaa Bab-Dummad
negdakmaidgi dogarmogad, degi,

bemark-sunnaa
binnalegwadgi . . .

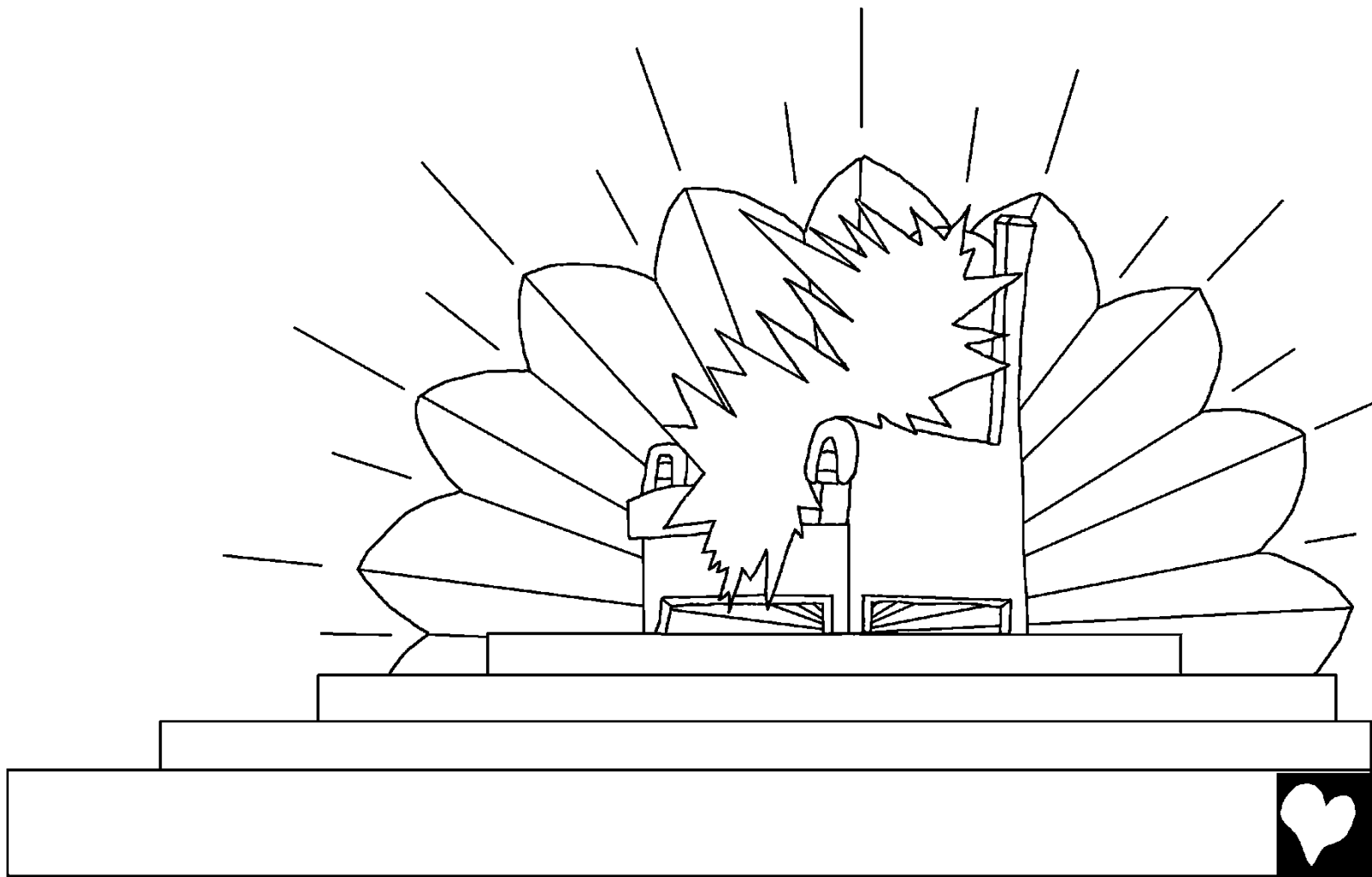


. . . Bab-Jesús-igargi alamaknaimogad-duled.
An Bab-Dummad-gayaburba-barsogdiid-ular,
degi, Jesucristo'gi-sunmakdiid-ular, an

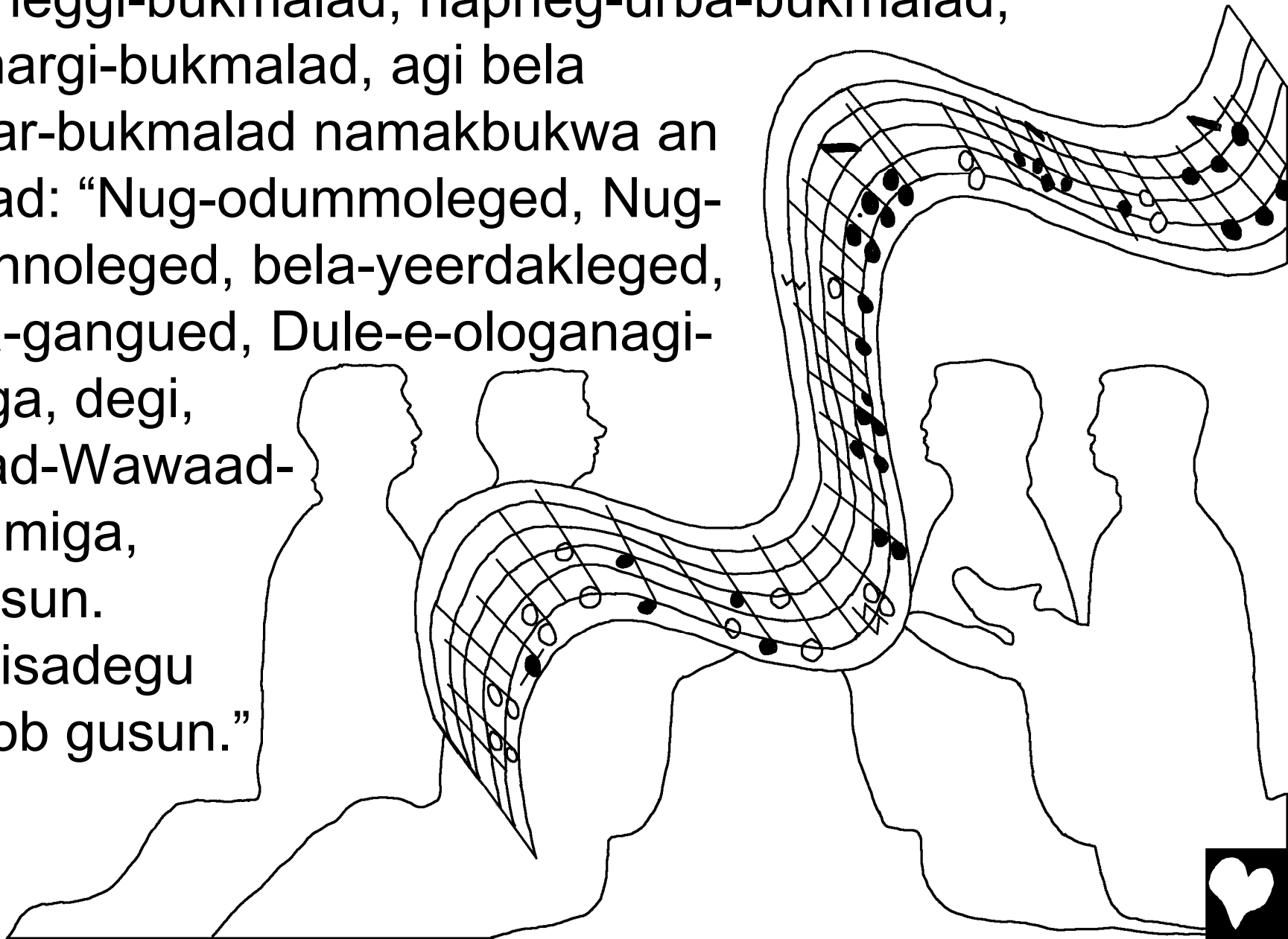
Patmos-dupgi
odurdaklesiid.



Agine, Bab-Burba-Isligwaled burbar ikiir an-sunonikid.
Geb nibneggine, ologana-sii an dakalid. Agine,
dule-wargwen a-ologangi-sii an daksad.

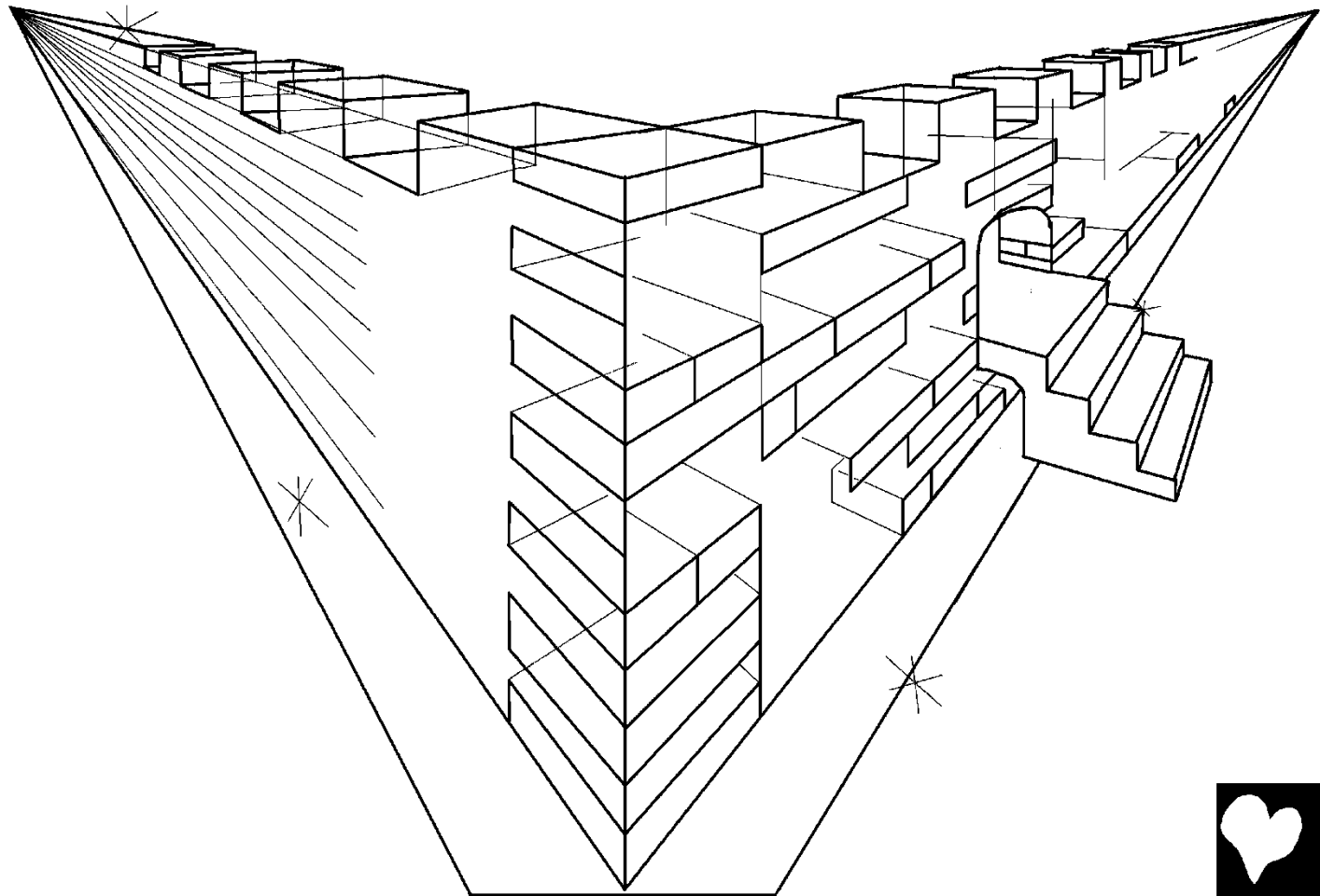


Degine, bela nibneggi-ibmar-obinniles-bukmalad, bela
napneggi-bukmalad, napneg-urba-bukmalad,
demargi-bukmalad, agi bela
ibmar-bukmalad namakbukwa an
itosad: “Nug-odummoleged, Nug-
ogannoled, bela-yeerdakleged,
bela-gangued, Dule-e-ologanagi-
siidga, degi,
Sibad-Wawaad-
Mimmiga,
uklesun.
Degisadegu
deyob gusun.”

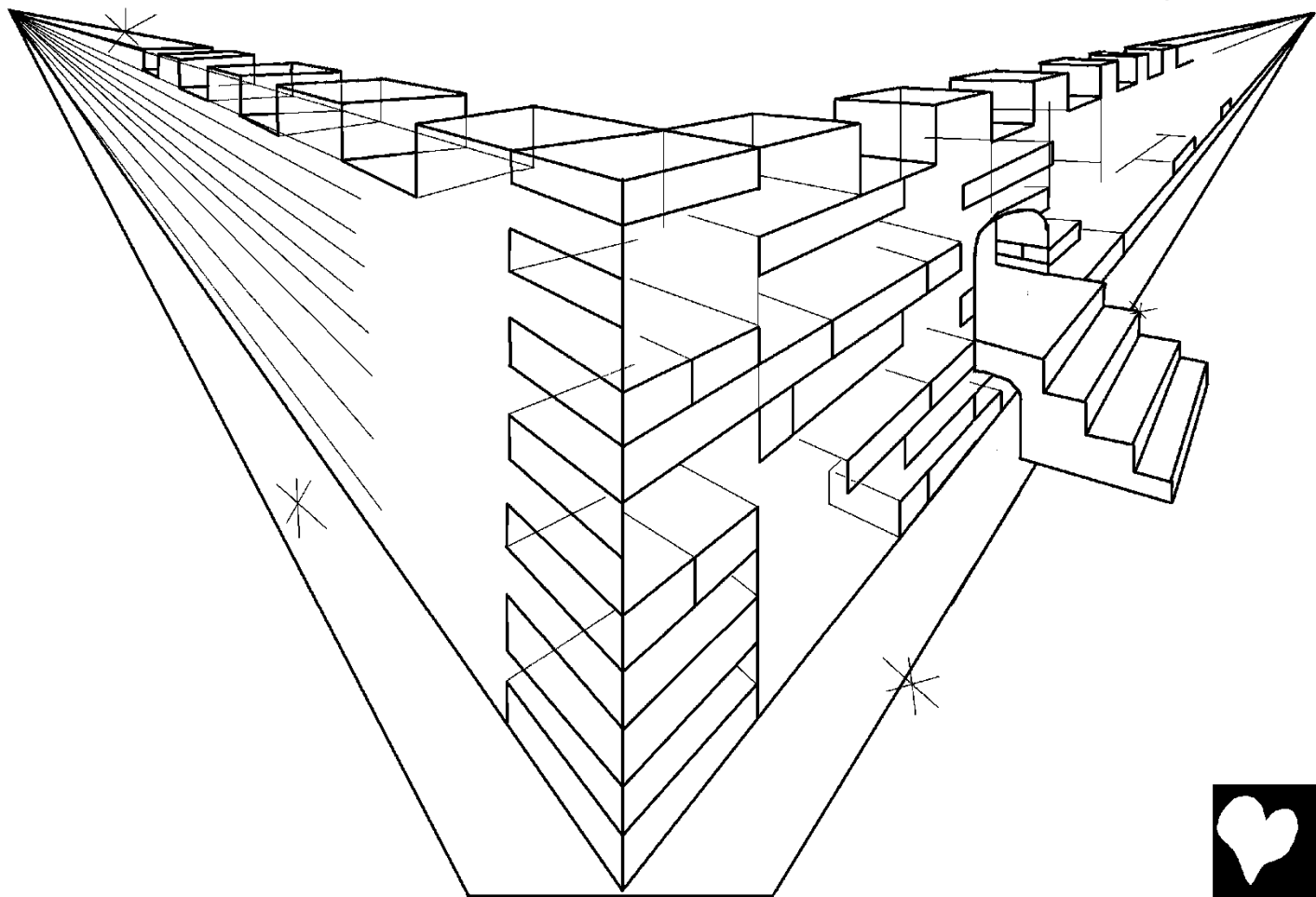


Dege geb ani Juan, neggwebur-islididik, Jerusalén-
binid an daksad. We-Jerusalén, bia Bab-Dummad-mai,
a-akale aidedanikid. Igi ome sui-nikunair, guagwar
mola-nued-yoi, deyob Jerusalén-neggwebur
guagwar-aidedani an daksad. Geb degi, nibneggi

gayaburba
binnasur gole
an itosad.



Weyob soged: “Emigindi, Bab-Dummad-meged-neg
dulemar-abargi signonisunnad. Bab-Dummad
dulemar-abargi gudigusunnoed. Dulemar
Bab-Dummad-sordamarga gunonikoed.
Bab-Dummad-sunnad we-dulemar-e-Bab-Dummadga
gumogoed.”



Degine, a-sorbali, baliwitur diwar-nued, diwar-burba-
dula-dule-imaked, anse oyosbalid. We-diwar
isbe-daledyobi dakarmakmaid. We-diwar,
Bab-Dummad-ologanagi, degi, Sibad-Wawaad-
Mimmi-ologanagi, danikid.



We-neggwebur ibegwar-sigegala, dad-ibeler abesulid,
nii abesurbalid. Ar ade, Bab-Dummad-gaedba we-neg
ibegwar siid, degi, Sibad-Wawaad-Mimmi ega
neg-ibegwaledga gubalid.



A-Jerusalén-neggwebursega ibmar-iscana gwen
dogosulid, ibmar-iscana-sae-daklemalad,
gakansamalad, gwen dogosulid.

Unnila dule-dula-
gudimaloed-gardagi
e-nug-narmakar-
nanaidbi dogmaloed.
We-garda, Sibad-
Wawaad-Mimmi-
gardad.



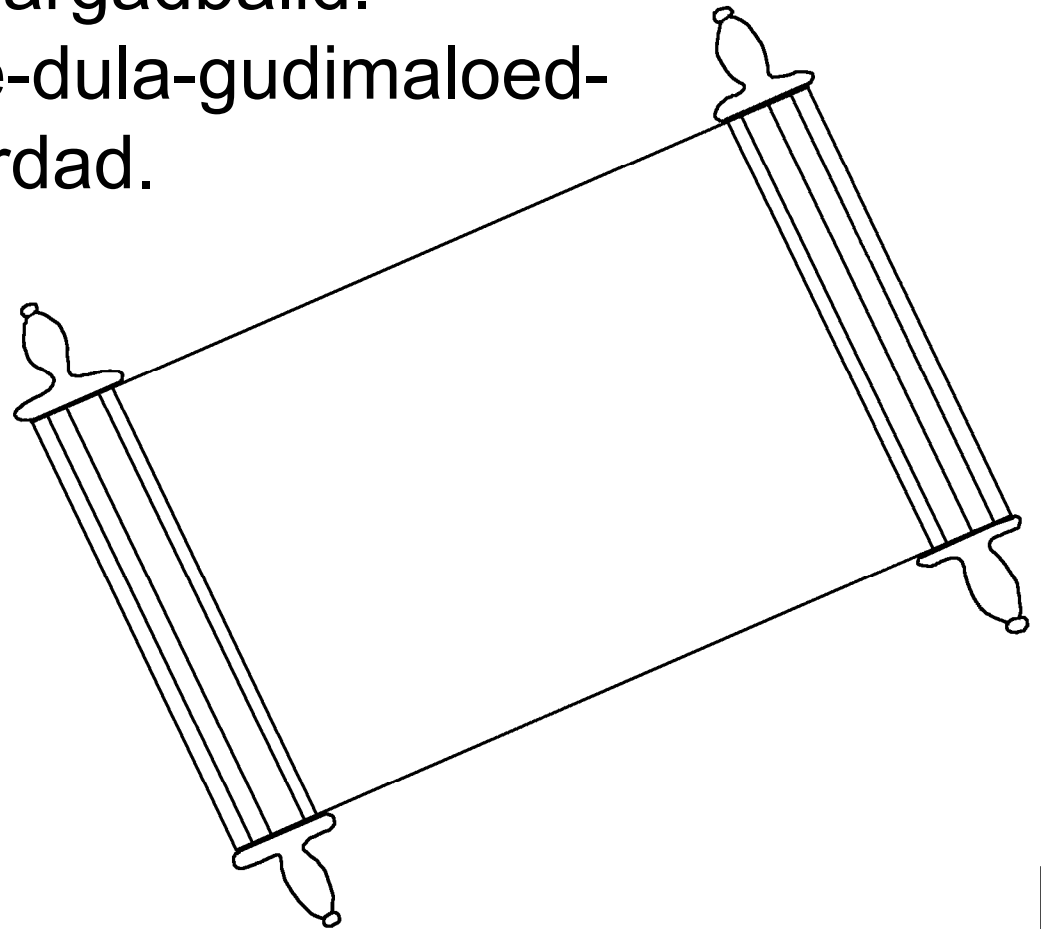
“Bab-Dummad we-dulemarga bela
ibyanis elioed. We-dulemar bar
burgosurmalad. Bab-Dummad,
boed ega obelobaloed, bukib-itoged
ega obelobaloed. Deginbali,
we-dulemar nunmaked bar
itogosurmarbalid, ar ade, bela
ibmar-iduarmalad bergusad.”



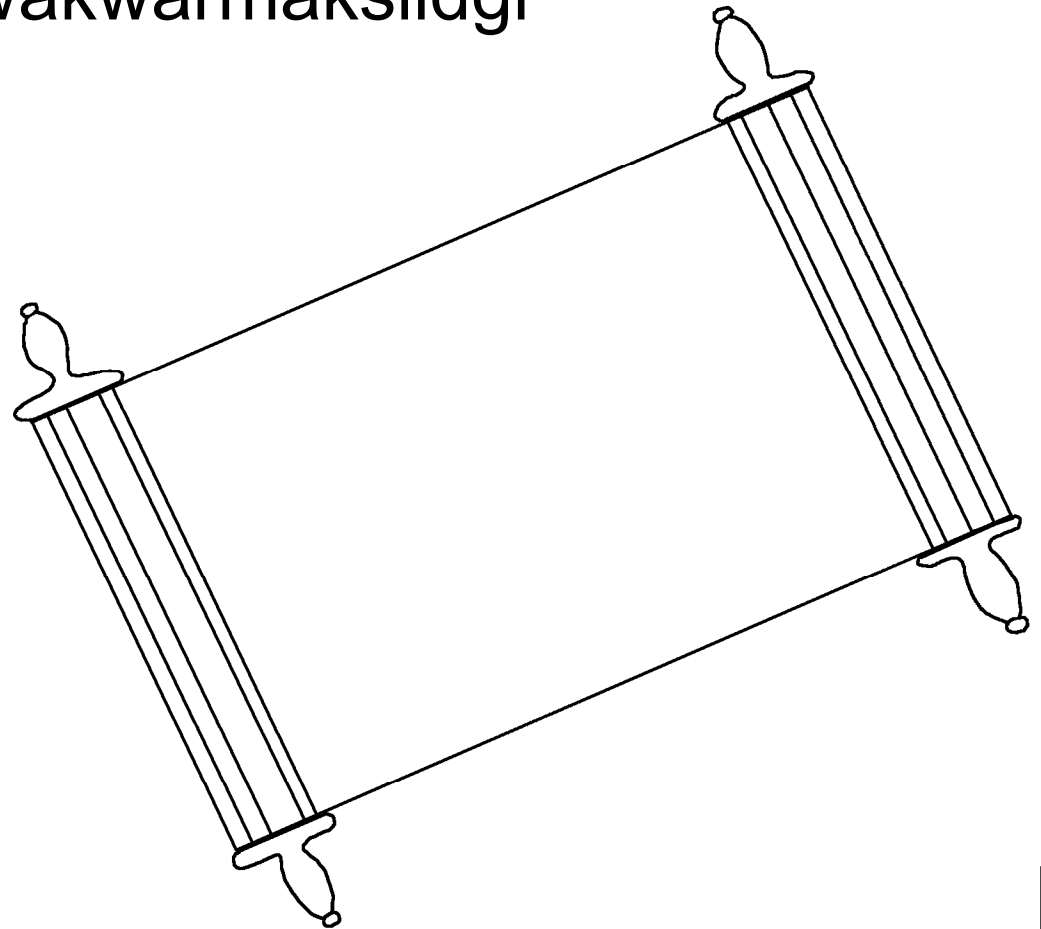
Agine, bar ukabsaleged nikuosulid. A-neggweburgi
Bab-Dummad-ologana, degi, Sibad-Wawaad-Mimmi-
e-ologana, sii guoed. Agi e-maimar ega nug
odummobukwa guoed. Amar Bab-Dummad-wagar
asabinmakar
dakmaloed, degi,
Bab-Dummad-e-
nuga e-bebemargi
narmakar-nai
gumarbaloed.



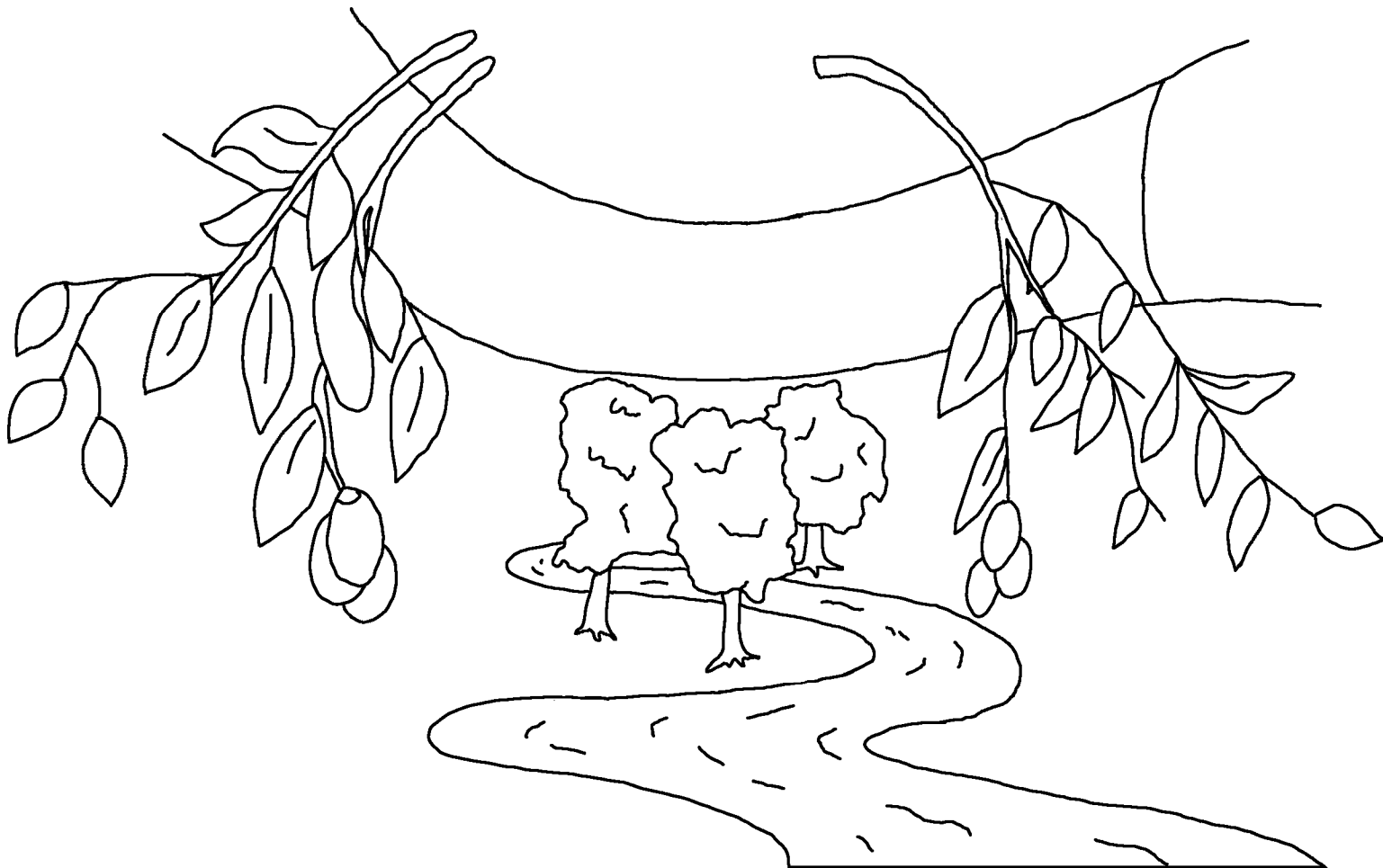
Geb degi, dule-dummagan-burgwismalad,
dule-binsarmalad-burgwismalad,
ologana-sipugwad-asabin gwichi an dakalid.
Degine, gardamar argad an daksabalid.
Deginbali, garda-baid argadbalid.
We-garda-baiddi, dule-dula-gudimaloed-
e-nug-narmakaled-gardad.



Dulemar-burgwismaladga, gardamargi-ibmar-
narmakar-naidba, na e-ibmar-imaksamaladba
ega igar itolesad. Ar dule, dule-dula-gudimaloed-e-
nug-narmakaled-gardagi e-nug-naisuliddi,
soo-mata-dummad-gwakwarmaksiidgi
melleded.



Bab-Burba, degine, Sibad-Wawaad-Mimmi-e-ome
soged: “Dage.” Ar dule itogele, soqe: “Dage.” Dule
uku-uku itogele, dage. Ar dule dii-dula-dule-imaked
gobbiele, maniginsuli binsa gobdage.



Ar Bab-Dummad bela
we-napneggi-dule-bukwad
nue-sabgussoggu,
E-Machi-Wargwenna-Guedi
barmialid, adi,
dulemar-isgued-anar
burgwegar.



Ar doa-dule Bab-Dummad-Machigi
bensuli-gunonikile,
burba-geg-bergued nikuoed,
adi, mer bar degisadegu,
sabsur-odurdaklesii guegar.



Romanos 3:23

Ar dulemar belagwapa isgusadbisoggu,
Bab-Dummad-e-gangued-yeerdaklegedgi bangus
gudimalad. A-ulale, geg Bab-Dummad-walikaa
gumarsunnad.

Romanos 6:23

Ar isgued, burgwedgi dule-bennuked.
Bab-Dummad-nabir-anmargi-binsamaiddi,
anmar-Dummad-Cristo-Jesús'gi burba-geg-bergued
anmarga uked.

Hebreos 9:27

Ar dulemarga, unnila irgwenna-burgwed igar maid.
Geb a-sorbali, Bab-Dummad ega e-nanasad-igar itogoed.



Efesios 2:8,9

Ar bema abonalege-wilubsulinad, emigindi, Jesucristo'gi-bensulidba Bab-Dummad bema-abonononikid. Ar bema na duki Jesucristo'gi abonoleged amissulid. Ar Bab-Dummad na e bema abonaleged-igar uksad. We-abonolegedi, na be ibma-imakedgi abonolessulid, adi, bema mer na san-dummarba imakmalagar.

Romanos 10:9,10

Ar dulemarga bela be socele, "Jesús, Bab-Dummadye," degine, be-gwagegi be bensulile, Bab-Dummad, we-Jesús burgwarmalad-abargi gannar odulosye, be abonolegodo. Ar be isgussuliyob-daklegega, gwagegi Jesús'gi-bensuli be guergebed. Be abonolegegardi, gayagi be sogergebed, Jesús, Bab-Dummadye.



Juan 3:16,17

“Ar Bab-Dummad bela we-napneggi-dule-bukwad
nue-sabgussoggu, E-Machi-Wargwenna-Guedi barmialid,
adi, dulemar-iscued-anar burgwegar. Ar doa-dule
Bab-Dummad-Machigi bensuli-gunonikile,
burba-geg-bergued nikuoed, adi, mer bar degisadegu,
sabsur-odurdaklesii guegar. Ar Bab-Dummad
we-napnegse na E-Machi-barmiargu,
dule-we-napneggi-bukmalad-sabsur-odurdakega
barmiarsulid. Na E-Machi-barmialid, adi,
dule-we-napneggi-bukmalad E-Machigi abonolemalagar.



1 Juan 5:11-13

Ar Bab-Dummad anmarga weyob sunmaknaid:

Bab-Dummad anmarga san-burba-geg-bergued uksad.
We burba-geg-bergued Bab-Dummad-Machigi danikid.

Ar dule Bab-Dummad-Machi-abingasadi,
san-burba-geg-bergued bato nikad. Ar dule

Bab-Dummad-Machi-abingasuliddi,

san-burba-geg-bergued niksulid. Bemar

Bab-Dummad-Machigi-bensurmaladga, we-ibmarmar an

narmaked, adi, bemar wisgumalagar, bemar

burba-geg-bergued nikamarye. Degine, adi,

Bab-Dummad-Machi-nuggi be bensuli gumalagar.



Juan 14; 2 Corintios 5; Apocalipsis 4, 21, 22

Storyline by: Edward D. Hughes

Illustrated by: Lazarus
and Alastair Paterson

Adapted by: Sarah S.

Kuna, San Blas Bible (cuk) © 2014, Wycliffe Bible
Translators, Inc. All rights reserved.

<https://live.bible.is/bible/CUKNVS/MAT/1>

©2026 Bible for Children, Inc.

www.M1914.org

www.bibleforchildren.org

