

www.BibleForChildren.org



Yohana 14



“Sekemwingilwe na luholoji muna imizoyo yenu.
Momuhwila Mulungu, nihwileni na niye. Muna ikaye
ya Tati yangu muna viheleto vingi, one siivo,
nahawalongeleni. Nohita kuwasasalila hanhu henu.
Nahahita na kuwasasalila hanhu, nizakwiza kuwasola
muladi mukale haja
honikala niye.”



Niye Yohana ndugu yenu, niye kwa kuilumba na
Chilisito nahamwe na mweye muna yamanhesa
na ufalume wake na ufunya umoyo wa

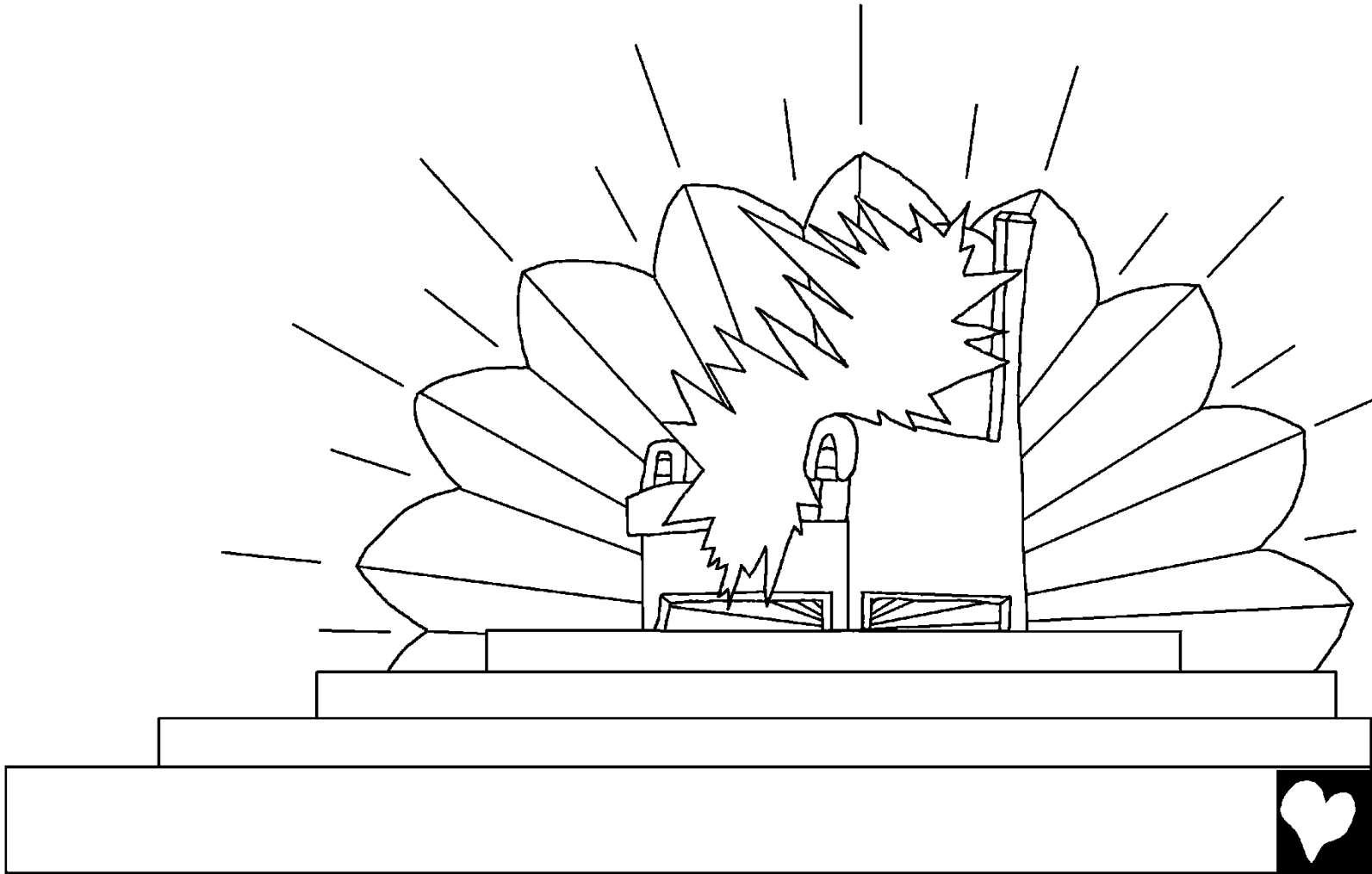
kweli. Niye nigaligwa muna
ichisiwa hatangigwe



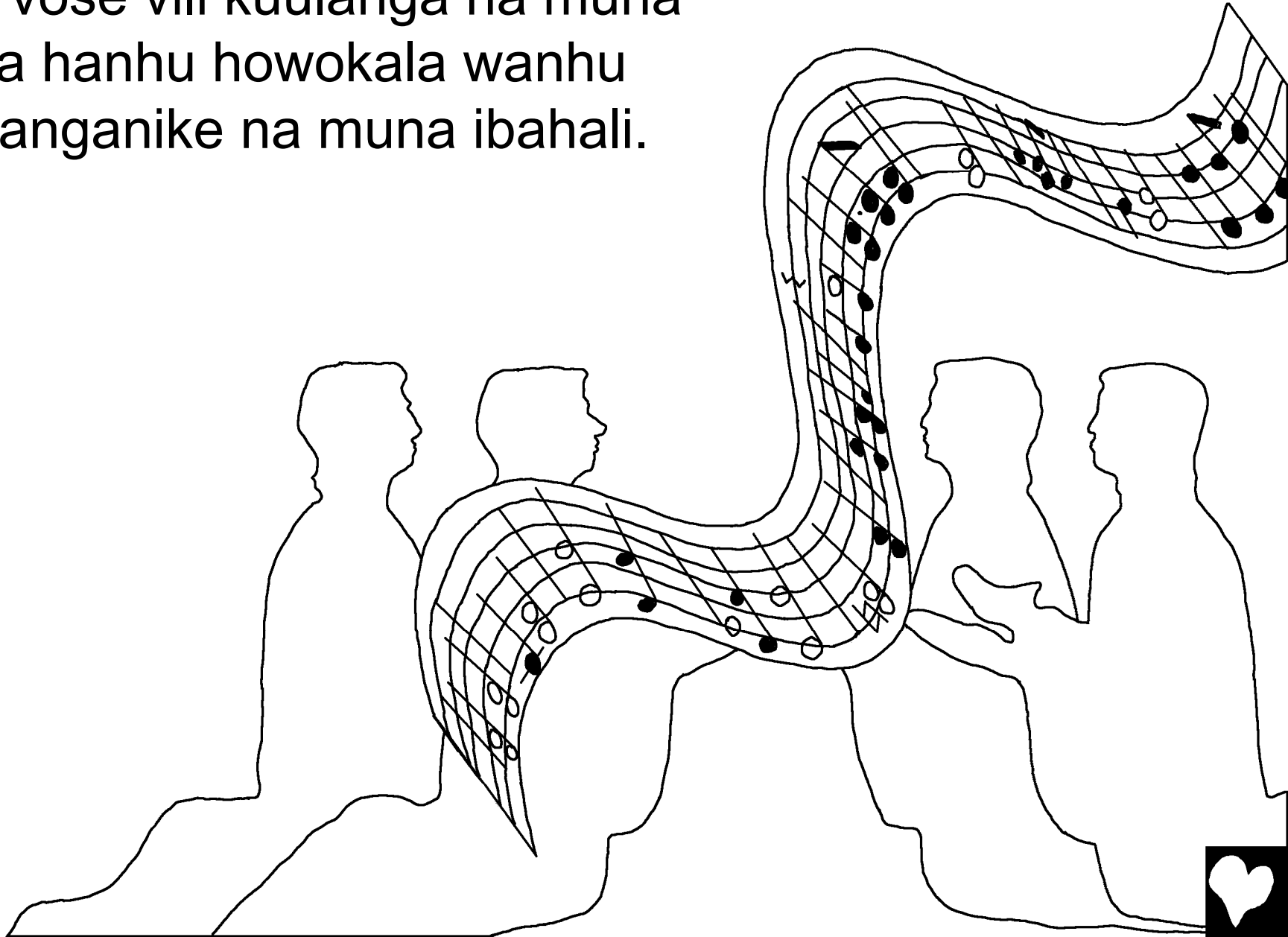
Patimosi fana
mfungwa kwa ichimu
niipeta Mbuli ya
Mulungu na usindila
wa Yesu.



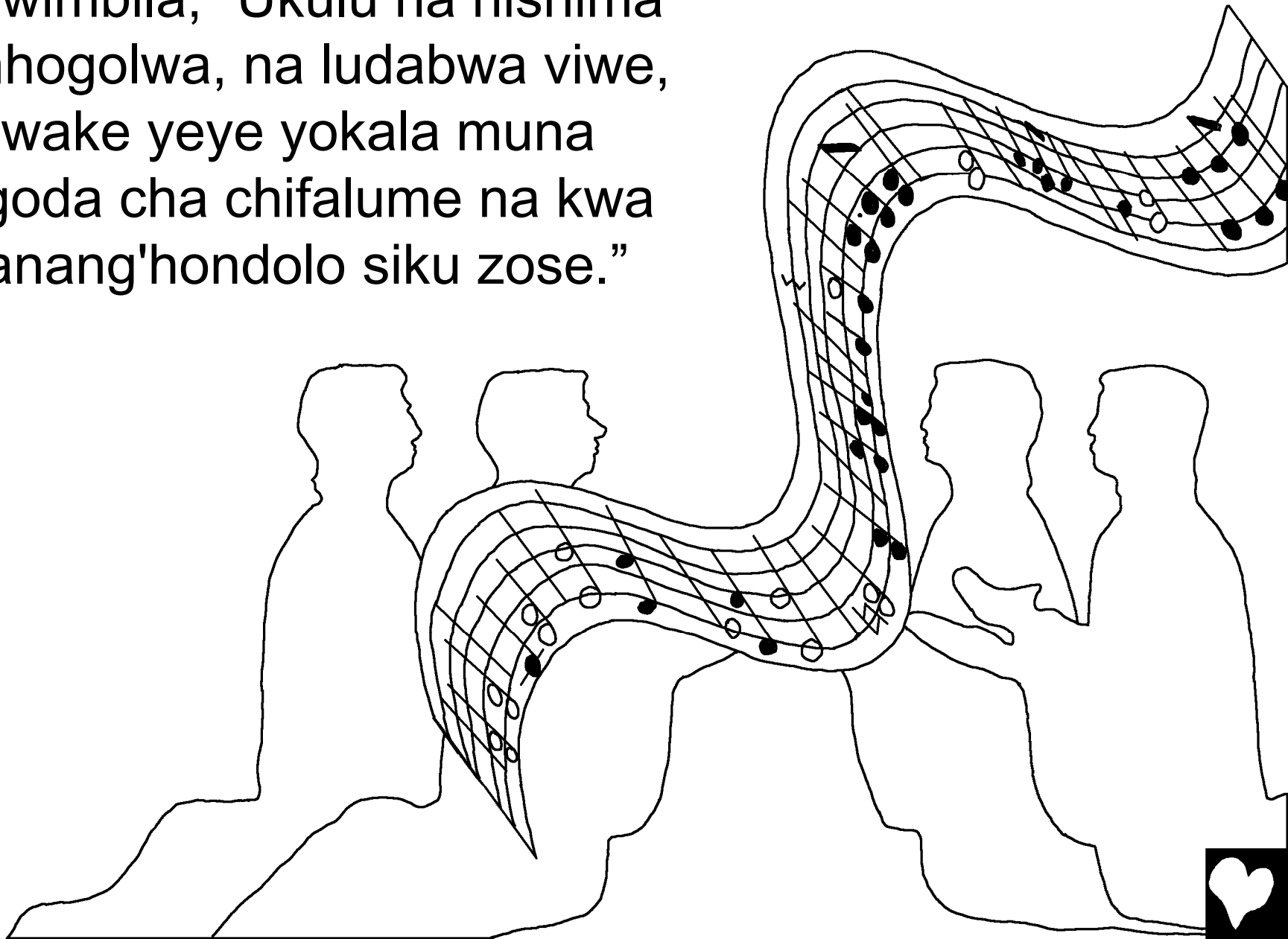
Lusita lumwe niziligwa na Muhe Yelile. Humbe kuulanga kukala na chigoda cha chifalume na munhu kakala uchanyha yake.



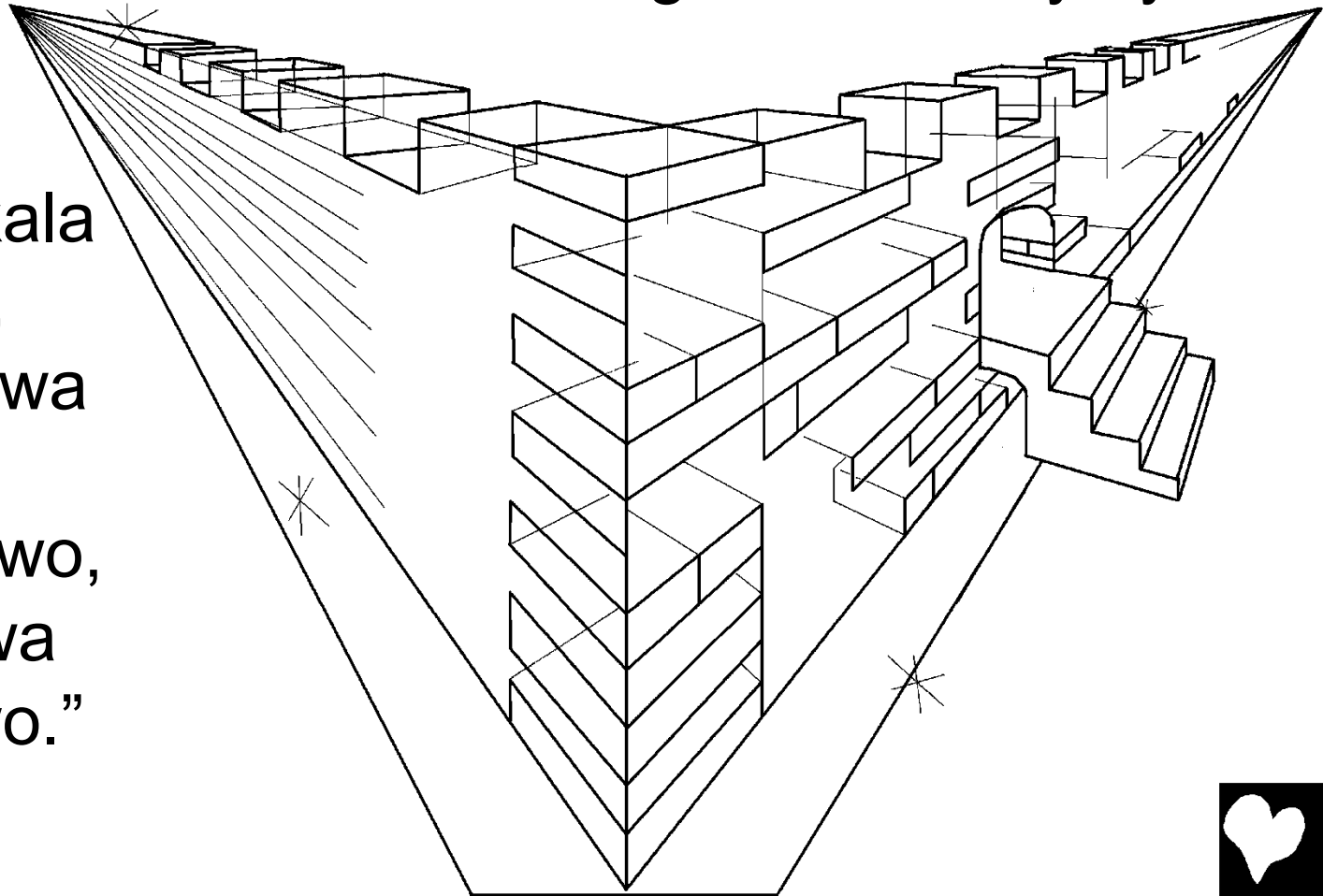
Iviya nihulika viumbe vili na ugima
viya vose vili kuulanga na muna
isi na hanhu howokala wanhu
wadanganike na muna ibahali.



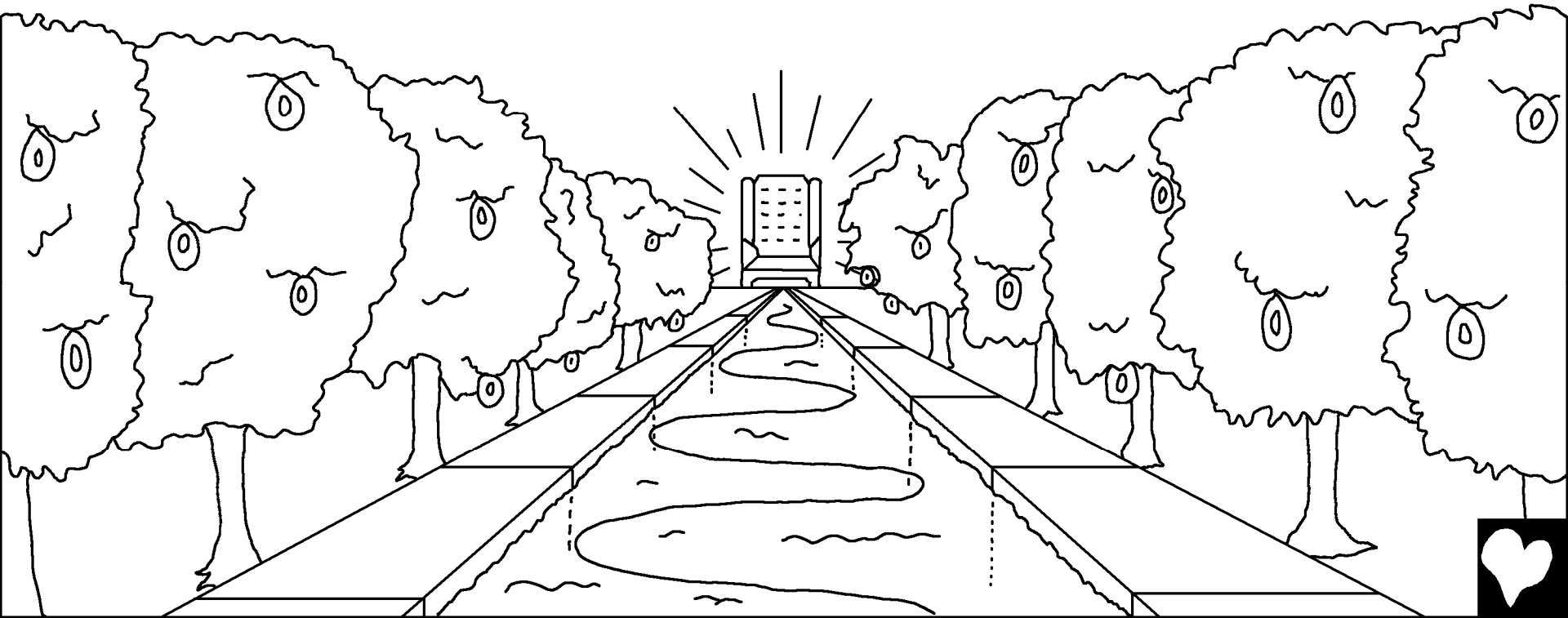
Ona! Vinhu vose vili muna isi yose vomwimbila, “Ukulu na hishima na nhogolwa, na ludabwa viwe, kumwake yeye yokala muna ichigoda cha chifalume na kwa Mwanang'hondolo siku zose.”



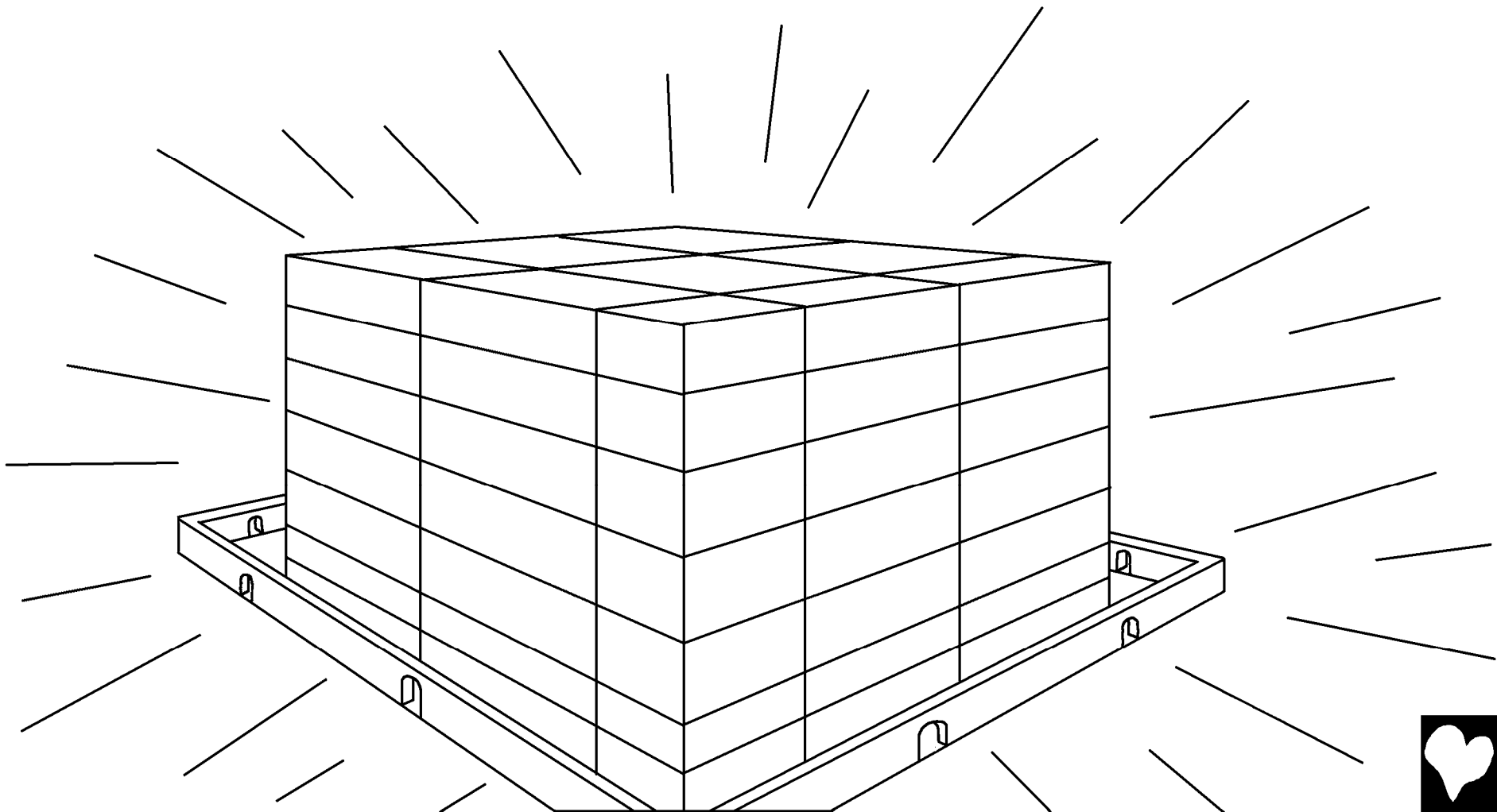
Niwona bululu da Mulungu, Yelusalemu ya sambu,
dohulumuka kulawa kuulanga kwa Mulungu dikigwa
goya, dilinga fana mwali yahambigwe vinogile na
kuiting'hana na mulumake. Nihulika dizi kulu kulawa
kuna ichigoda cha chifalume dolonga, “Lola, Kaye ya
Mulungu ya
mgati mwa
wanhu, kezakala
hamwe nawo,
nawo wezakuwa
wanhu wake.
Kezakuwa nawo,
nayo kezakuwa
Mulungu wawo.”



Maabaho msenga wa kuulanga kanilagusila lwanda
lwa mazi ya ugima yeli langalanga fana chilole
yokuluma kulawa kuna ichigoda cha chifalume cha
Mulungu na Mwanang'hondolo.



Bululu ijo hadilonda zuwa hebu mwezi
kumwemwesela, kwaviya utunhizo wa Mulungu
womwemwesa na chitasa chake ni
Mwanang'hondolo.



Mbali habule chinhu chochose chambule mwiko chondachingile umo, wala munhu yoyose yosang'hana mbuli za ubananzi hebu uvwizi, hezakwingila ng'o. Ni waja muhala wandikigwe muna ichitabu cha ugima cha Mwanang'hondolo niwawo wondawengile.



“Nayo kezawahangusa masozi yawo yose kwaviya ifa haizalawilila kaidi, wala kulila kwa giyogiyo wala ndilo wala mawine, kwaviya isi ya umwaka ifosa.”



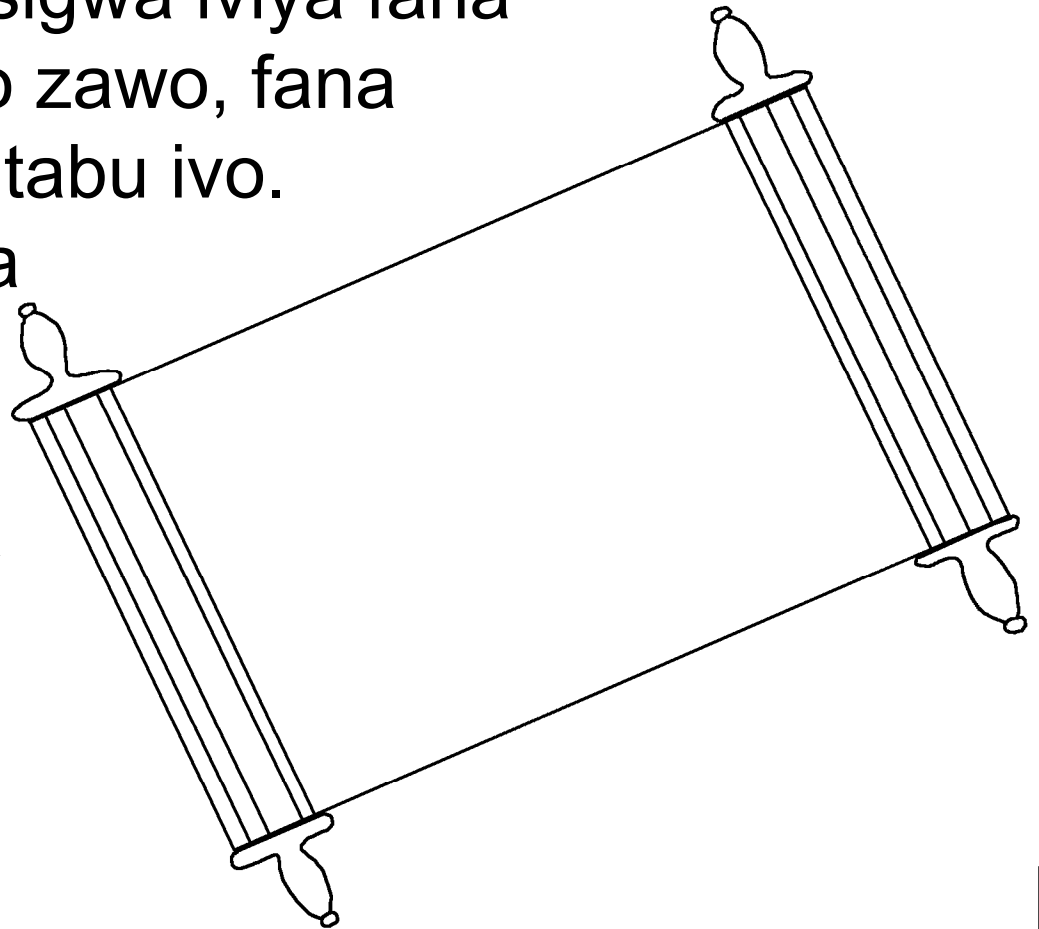
Hakwizakuwa chinhu chochose kaidi chonda
chiduwiligwe na Mulungu. Chigoda cha chifalume cha
Mulungu na cha Mwanang'hondolo chizakuwa muna
dibululu ijo, na wasang'hani wake wezamtambikila.
Wezachiwona chihanga
chake, na zina jake
dizakwandikigwa
muna ivihanga
vawo.



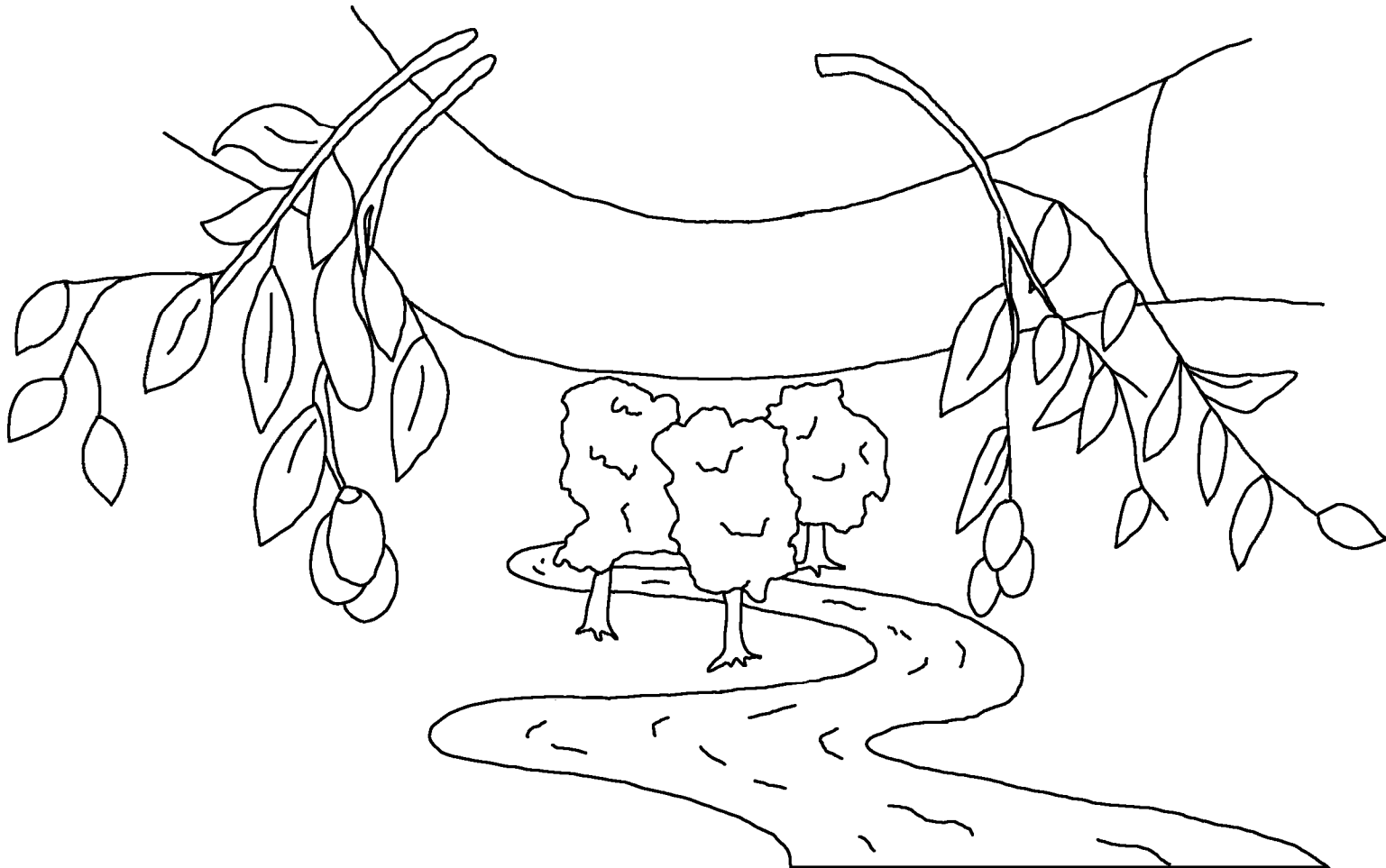
Maabaho niwawona wanhu wakalile wadanganike
wohishimigwa na hawahishimigwa, wema haulongozi
ha vigoda va chifalume na vitabu vigubuligwa.

Maabaho chitabu chimwenga chigubuligwa na
wadanganike watagusigwa iviya fana
viwatendile sang'hano zawo, fana
viyandikigwe muna ivitabu ivo.

Munhu yoyose ija zina
jake hajandikigwe
muna ichitabu cha
ugima, kasigwa muna
dilamba da moto.



Muhe wa Mulungu na mwali yosoligwa wolonga, “Izo.”
Munhu yoyose yohulika mbuli zino kolondeka yalonge,
“Izo.” Munhu yoyose mwene ng'hilu nayeze, munhu
yoyose yolonda mazi ya ugima nayeze yasole bila
maliho.



Kwaviya Mulungu kawalonda wanhu wa
isi yose mbaka kamulava Mwanage
nyachende, muladi chila munhu
yoyomtogola sekeyadanganike,
mbali yawe na ugima
wa siku zose.



Waloma 3:23

kwaviya wanhu wose watenda uhasanyi na
kuhungukiligwa na utunhizo wa Mulungu.

Waloma 6:23

Yombe da uhasanyi ni ifa, mbali chitumetume cha
Mulungu ni ugima wa siku zose muna ukuilumba na
Chilisito Yesu, Mndewa wetu.

Waebulaniya 9:27

Chila munhu kolondeka yadanganike teng'hu,
na maabaho yatagusigwe na Mulungu.



Waefeso 2:8,9

Kwaviya kwa unovu wa Mulungu mukomboligwa kwa nzila ya uhuwilo. Mbuli ino hailawa kumwenu mweye wenyewo, mbali chitumetume cha Mulungu. Wala hailawa kwa sang'hano zenu wenyewo, ivo munhu yoyose sekeyaigode.

Waloma 10:9,10

One uhatogola kwa mulomo wako Yesu ni Mndewa na uhahuwila muna umoyo wako kuwa Mulungu kanzilibula kuwadanganike, kwizakomboligwa. Kwaviya kwa moyo munhu kohuwila na kopetigwa kanoga haulongozi wa Mulungu, na kwa mulomo kotogola na kukomboligwa.



Yohana 3:16,17

Kwaviya Mulungu kawalonda wanhu wa isi yose mbaka kamulava Mwanage nyachende, muladi chila munhu yoyomtogola sekeyadanganike, mbali yawe na ugima wa siku zose. Mulungu hamtumile Mwanage mwiisi yawataguse wanhu muna isi, mbali kamtuma yawakombole.

1 Yohana 5:11-13

Na ukalangama wenyewo uwo uno, Mulungu kaching'ha ugima wa siku zose, na ugima uwo wopatika kwa nzila ya Mwanage. Munhu yoyose yeli na Mwana wa Mulungu kana ugima uwo, munhu yoyose yelibule Mwana wa Mulungu kabule ugima uwo. Nomwandikilani mbuli zino mweye womudihuwila zina da Mwana wa Mulungu muladi muvimanye kuwa muna ugima wa siku zose.



Yohana 14; 2 Wakolimso 5; Lugubulo 4, 21, 22

Storyline by: Edward D. Hughes

Illustrated by: Lazarus
and Alastair Paterson

Adapted by: Sarah S.

Kwere Bible (cwe) © 2014 Pioneer Bible Translators and
The Word for the World

OT © 2019 Pioneer Bible Translators

<https://www.bible.com/bible/1125/GEN.1.CHING'HWELE>

©2026 Bible for Children, Inc.

www.M1914.org

www.bibleforchildren.org

