

[www.BibleForChildren.org](http://www.BibleForChildren.org)

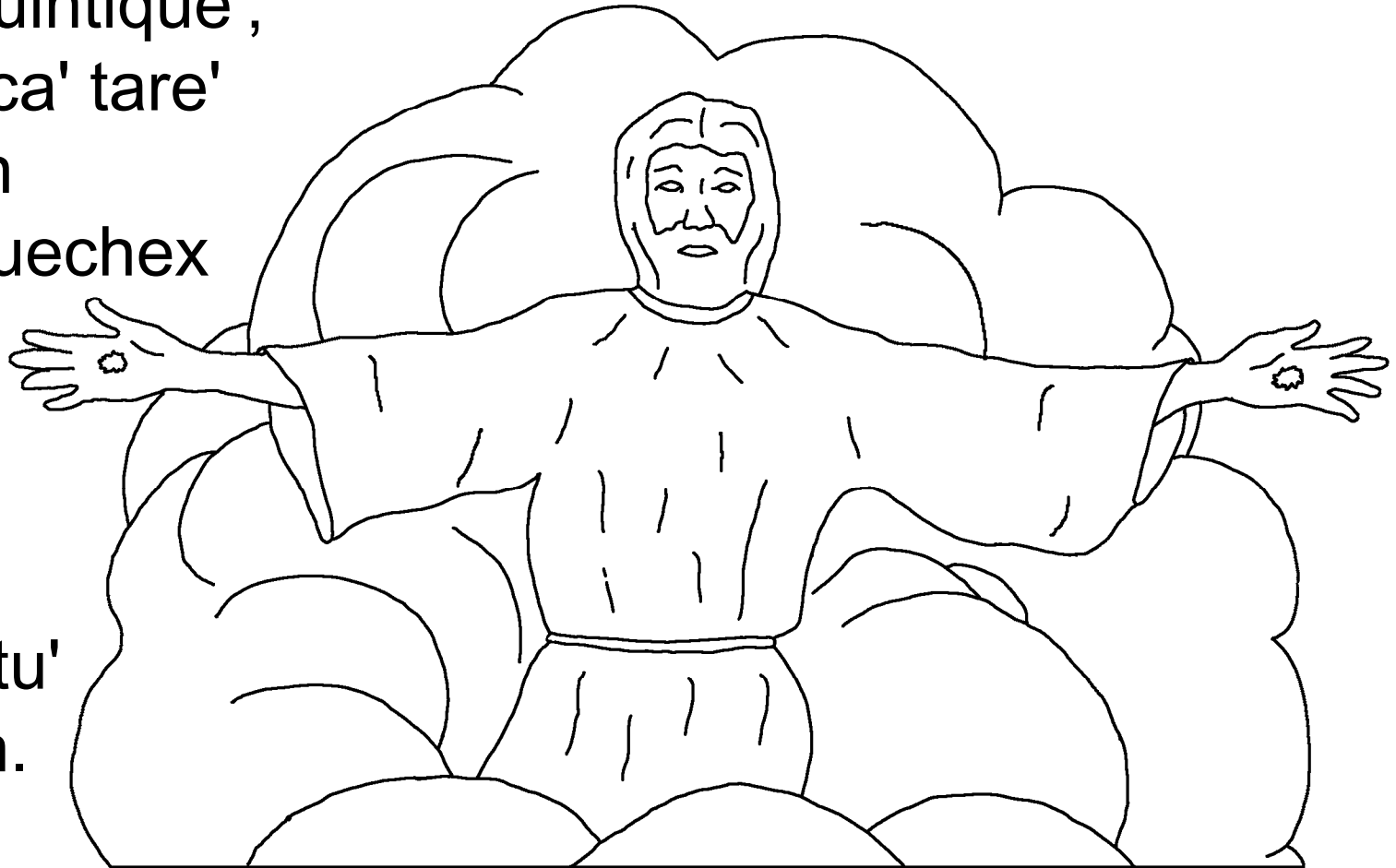


San Juan 14



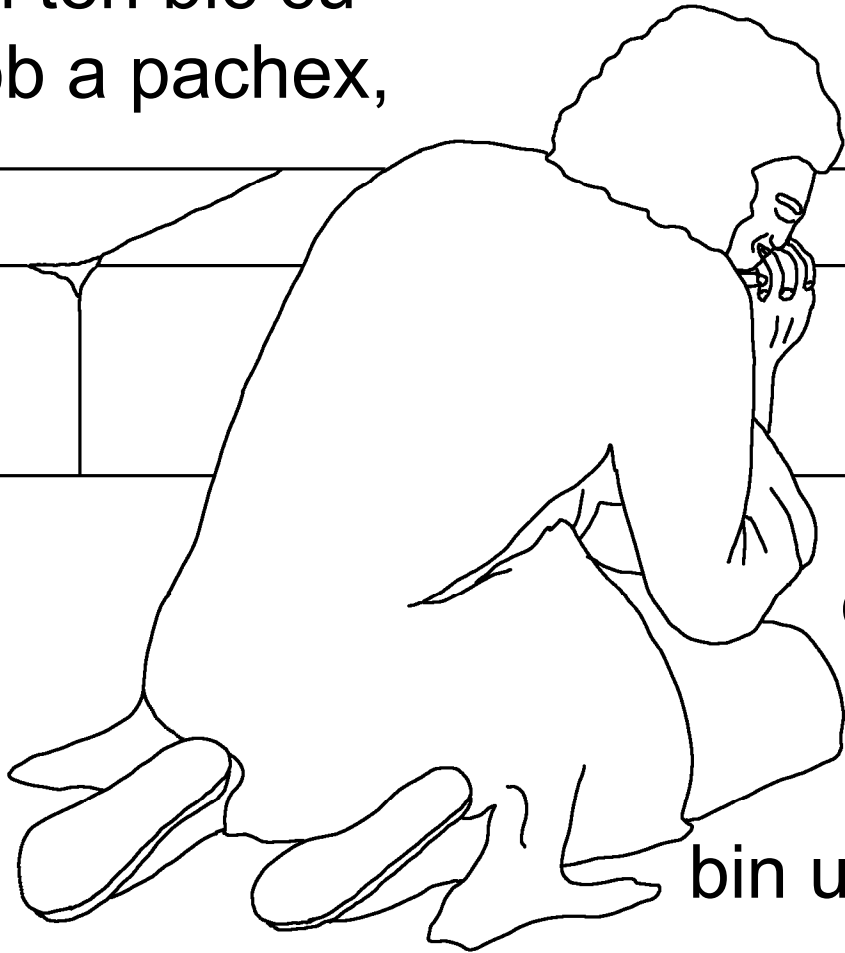
Jesús caj ya'araj ti' u camslwinicob: –Mł' a xac' a  
tucriquex ba', acsex ta wor ti' C'uj. Baxuc ten acsex ta  
worex ten xan. Tar quin bino' ich in Tet C'uj. Wa mł'  
taj ca'ch mł' in wac techex. Tar quin bino' quir in  
tsoyquintic quir a wocarex quir a cljtarex. Cu ts'ocar in  
tsoyquintique',

je' in ca' tare'  
quir in  
plyiquechex  
soc  
rajra'  
ti'  
ylnē-  
chex tu'  
ylnen.



A techexo', a mac a ti' yлno', a yacsmлnob tu yorob tu  
cu much'quinticob u блjob quir u c'ujinticob  
C'uj ich u ru'umin Asia, a sietej najo'.  
A teno' Juanen, a wet acsl'orirenex.

Baxuc an ten bic cu  
chuquicob a pachex,

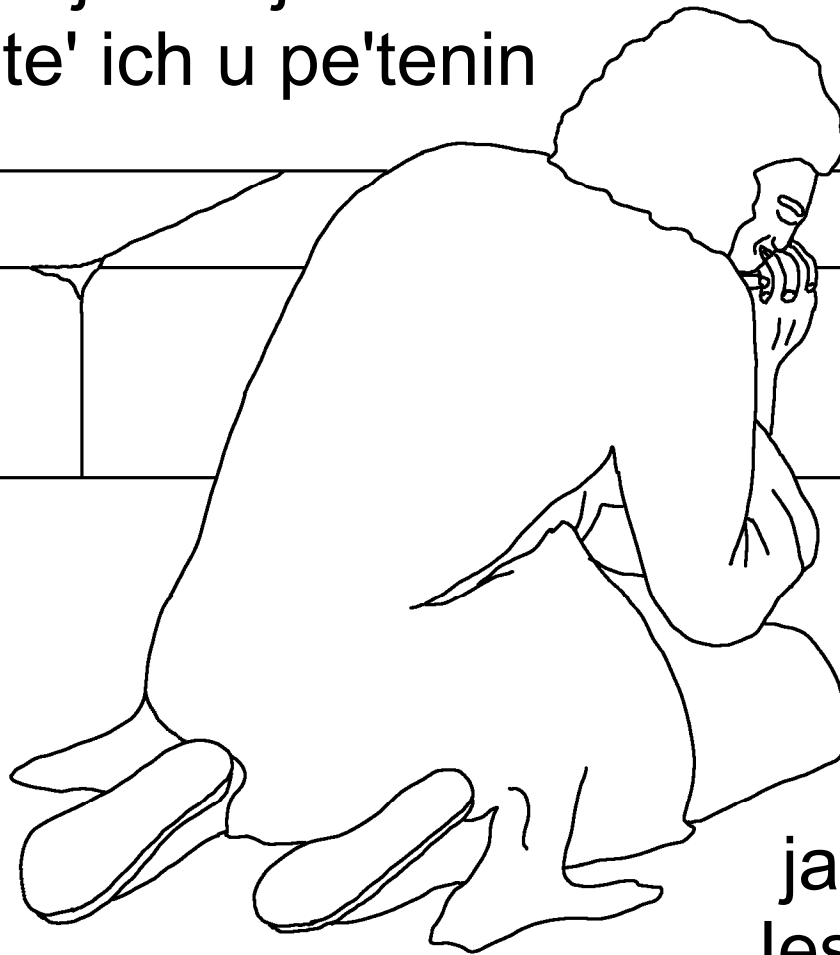


bayiri' ten xan,  
cu chuquicob in pach,  
quire' tin wacsaj tin  
wor. An ten bic C'uj  
bin u ca' yacsiquechex



tu quic bin ic reyintiquex, baxuc ten, bin u ca' u  
yacsen quire' p'eri'o'onex. An ten bic techex ca  
muc'tiquex a ba' cu tar techex, baxuc ten  
quin muc'tic, quire' Jesucristo quin

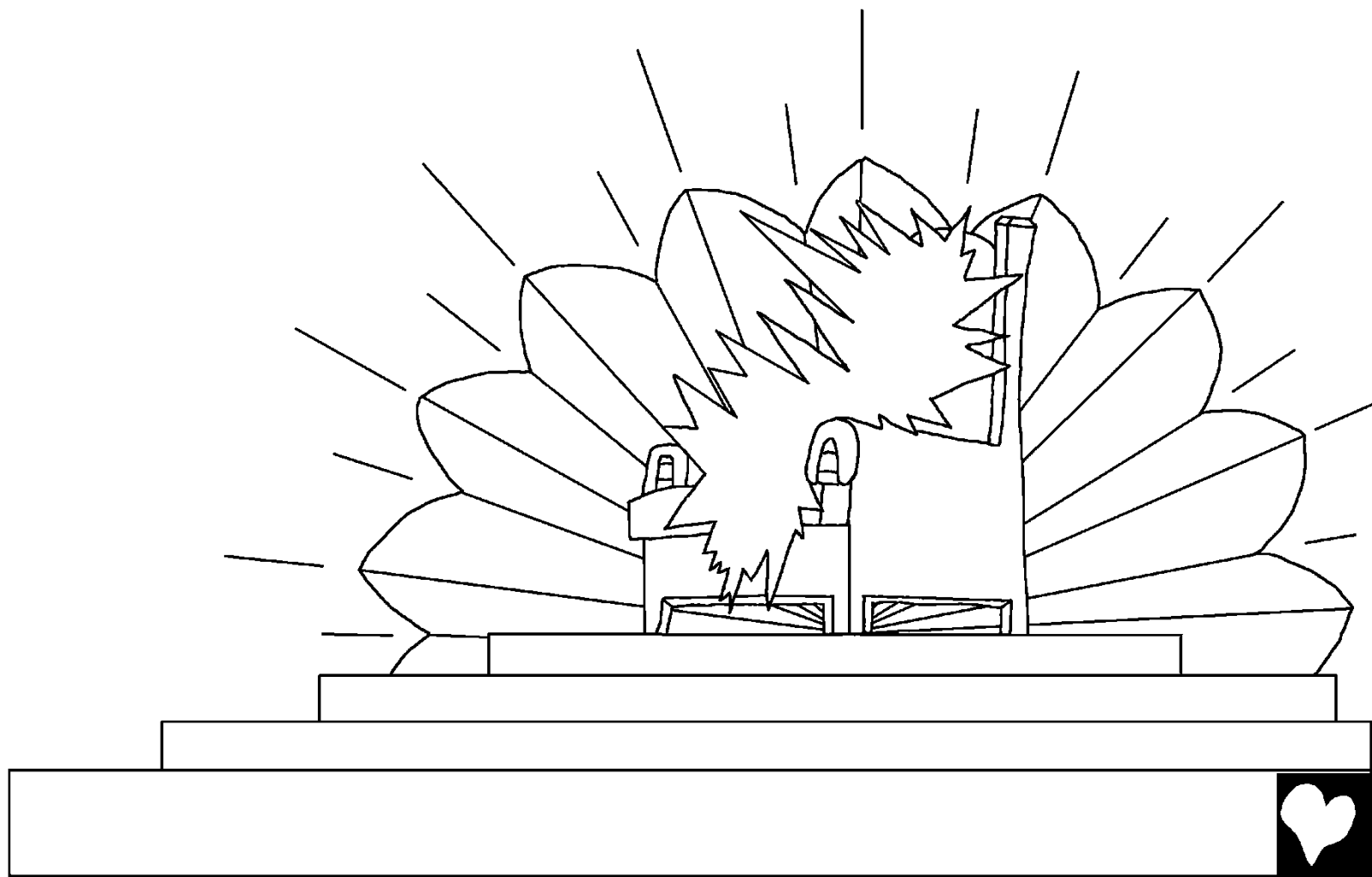
muc'tic. Rajen caj u  
purenob te' ich u pe'tenin



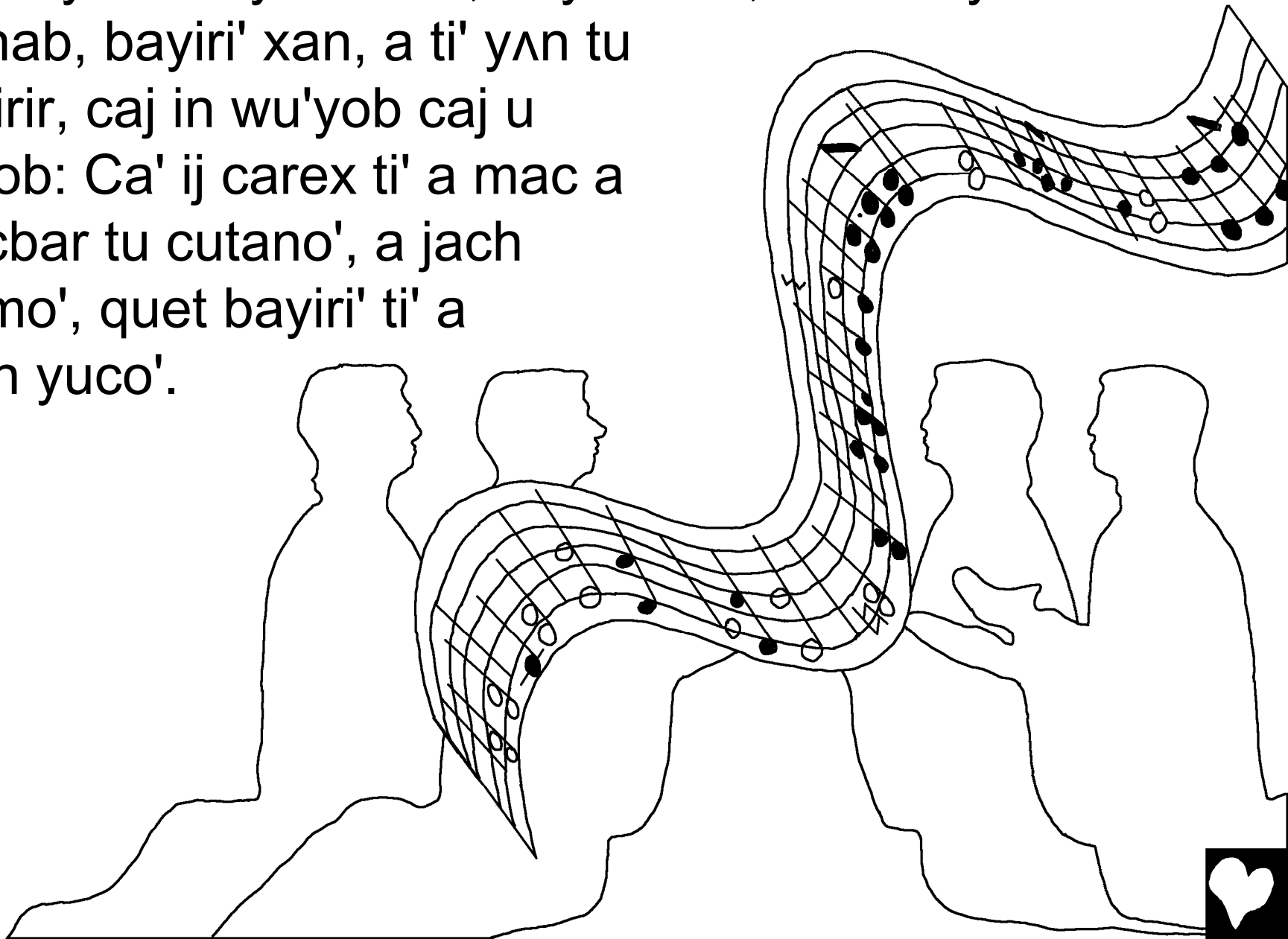
c'ac'nab u c'aba'  
Patmos. Tu p'atenob  
tu pe'tenin Patmos,  
quire' caj in tsec't u  
jach tsoyir u t'Λn  
Jesucristo.



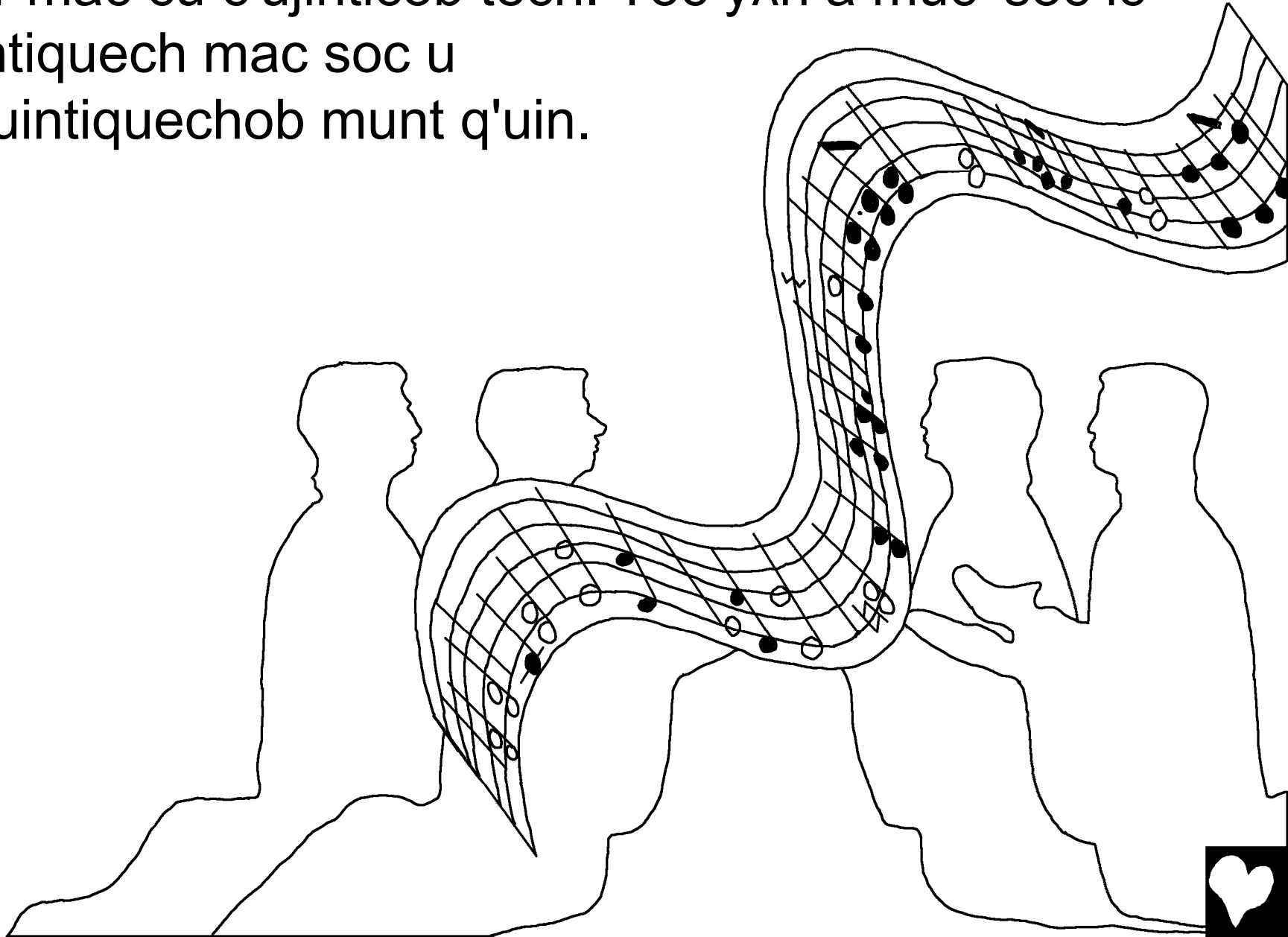
Seb caj u tar tin woc'or u Taj'or u Pixam C'uj soc raji'  
quin ts'urintic. A ba' tin yλn iraj ich ca'anana caj in  
wλyλc'taj, a C'ujo', ti' yλn tu cutan a jach caremo'.



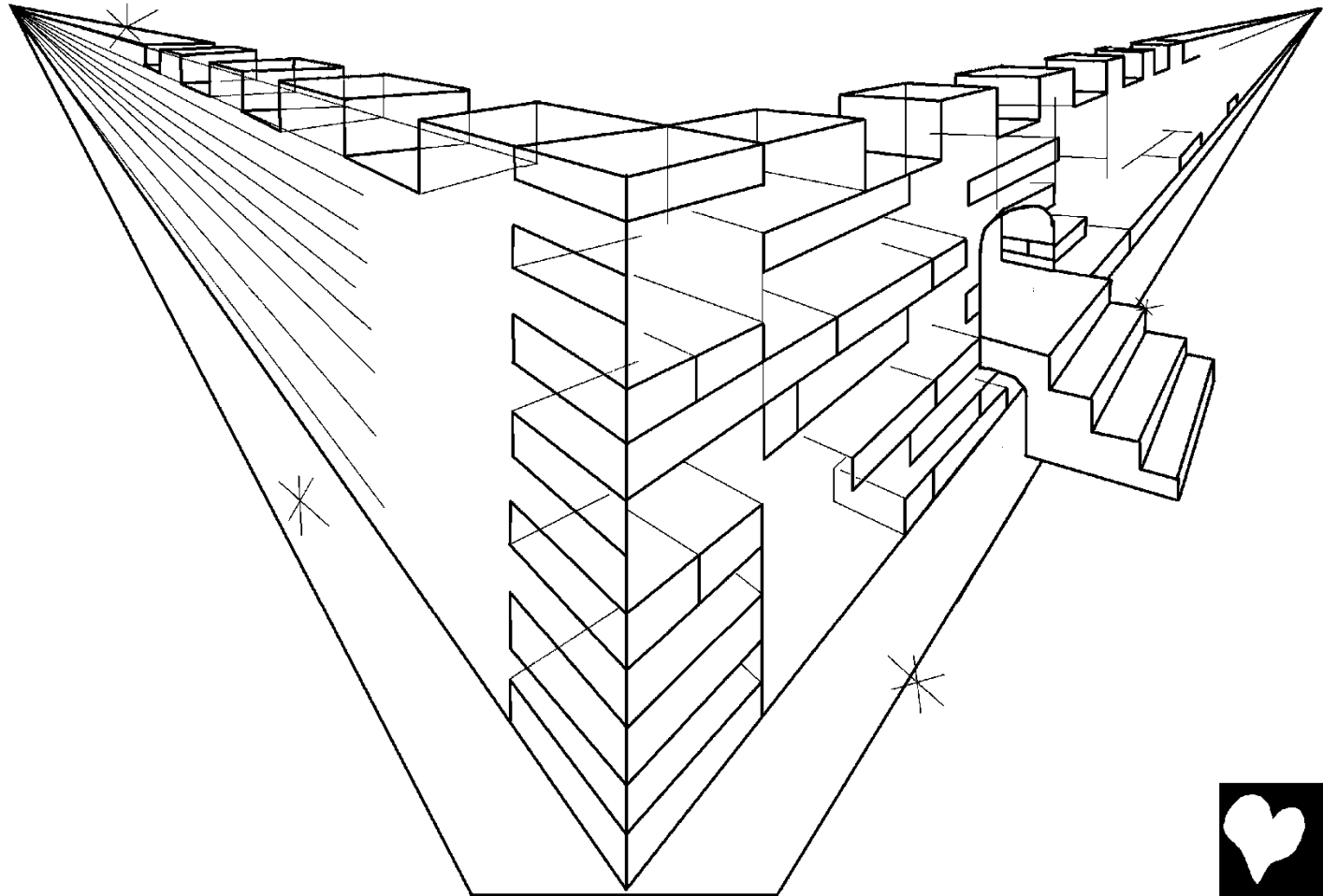
Tu cotor a ba' beta'b ten C'uj, a ti' yлn ich ca'anan, bayiri'  
a ba' ti' yлn ich yoc'ocab, bayiri' xan, a ba' ti' yлn ich  
c'ac'nab, bayiri' xan, a ti' yлn tu  
quimirir, caj in wu'yob caj u  
ya'arob: Ca' ij carex ti' a mac a  
curucbar tu cutano', a jach  
caremo', quet bayiri' ti' a  
тлмлн yuco'.



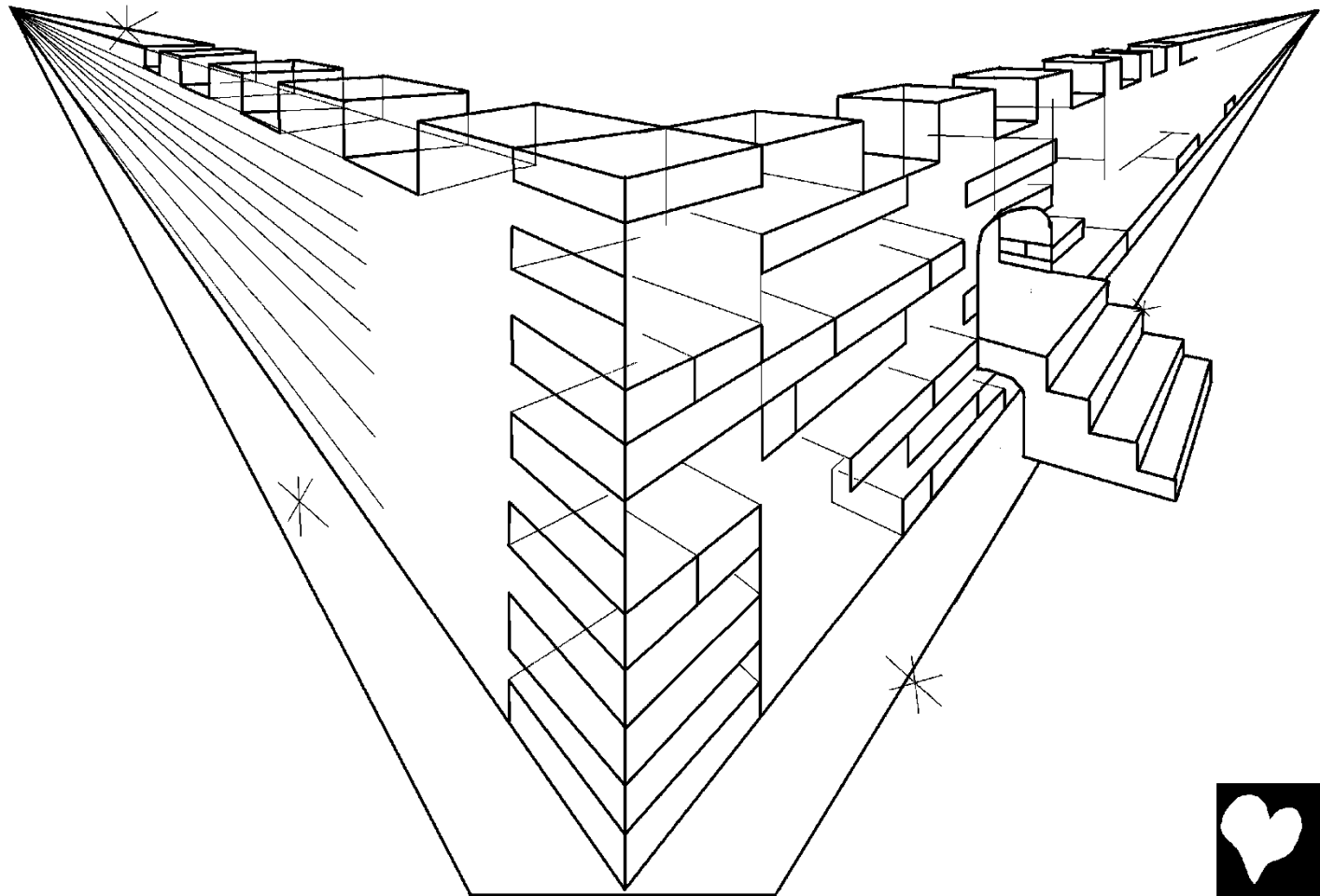
Ca' ij carex, jach caremech, ca' ic slj tech soc tu  
cotor mac cu c'ujinticob tech. Toc yln a muc' soc ic  
reyintiquech mac soc u  
yajquintiquechob munt q'uin.



A teno', Juanen, caj in wiraj u cajar C'uj, a Jerusaléno',  
irej wa tan yeman te' ich ca'anano', tu cu bin u cajtaro b a  
mac a taj u yorob. A ray cajaro', caj in wiraj jach manan  
tsoy an ten bic a xquico' a cu buquintic u noc' a jach  
manan tsoyo', quire' tar ch'abir ten u  
mam. Baxuc,  
caj in wiraj u  
cajar C'uj.



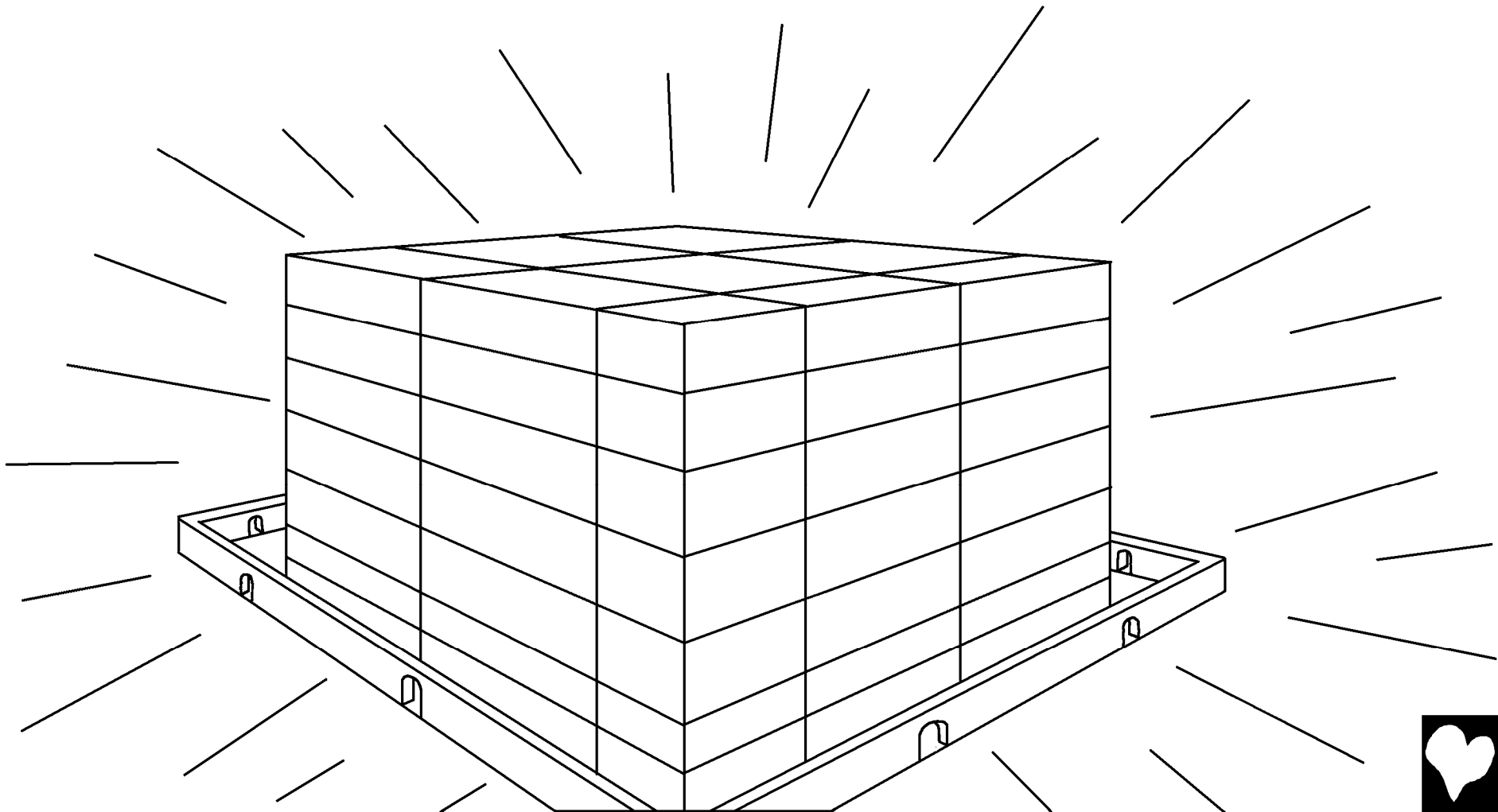
Raji' caj u ya'araj: –C'uchij tu q'uinin cu bin u cɫɫtar C'uj yejer a mac a yerob C'uj. U bljiri' C'uj cu bin u cɫɫtar ich a yerob C'uj. Mɫ' u bin p'ɫtbir, a baywo' raji' je' u yerob C'uj soc ij quiet man C'uj. A t eno', caj in wu'yaj u t'ɫn mac, jach c'am caj u puraj u t'ɫn irej wa jach t'ɫn C'uj tin wu'yaj.



Tu cajar Jerusalén tu cu bin u cɔltar mac a cu tocar ten C'uj. Raji' u yɔɓmasir u t'ɔn C'uj caj u yesaj ten yic' ja' a cu ts'ic quir u cuxtar mac. A yoc yic' ja'o', ti' cu man yoc yic' ja' ich yaran u cutano', a jach caremo', bayiri' xan, u yoc yic' ja' tu cu man ti' u cutano', a yɔnin u tɔmɔn yuc C'uj. Chich yoc ya'arir, jach sɔc u wich an ten bic u sasir nen.



A ray u cajaro', ml' ba'wir a ic yumo', quij, ml' ba'wir ic  
nl' xan, quir u sasichljrob u cajaro'. Ml' ja wirej, yln u  
toc sasirir C'uj ti', yejer Jesús u tlmn yuc C'uj.



A ba' jach c'aso', quij, ml' ju bin acsa'bir tu cajar  
Jerusalén, mix a cu man tu c'asir, mix a mac a p'acta'b  
ten u rac'ob, quire'  
u si'pir, mix a cu manob tus.

Chen a mac cu bin ocar,  
a mac a tu yiraj C'uj  
toc ts'iba'an u c'aba'  
tu ju'unin quir u  
cuxtar munt q'uin,  
a ra' ylnin u  
tlmln yuc C'uj.



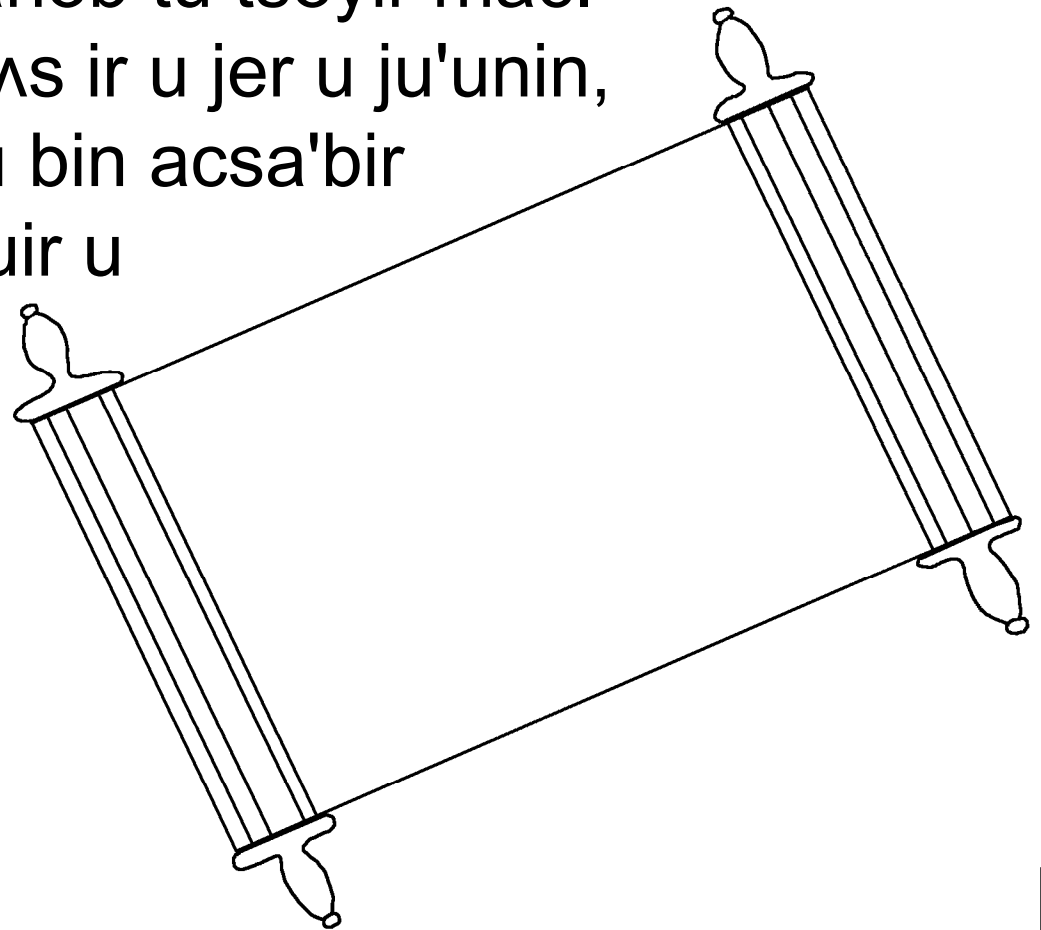
A ray u q'uinino', C'uj cu bin  
churic u wich a mac oc'nlj.  
Mlna' mac cu bin quimin,  
mlna' mac cu yoc'ar, mlna'  
mac cu bin yac'tic u blj, mlna'  
mac cu bin yajtar. Quire' tu  
cotor ba' a ti' yln uch ich  
yoc'ocaba' ts'oquij, quire' man  
–baxuc caj u ya'araj a mac  
a cu t'ln uch.



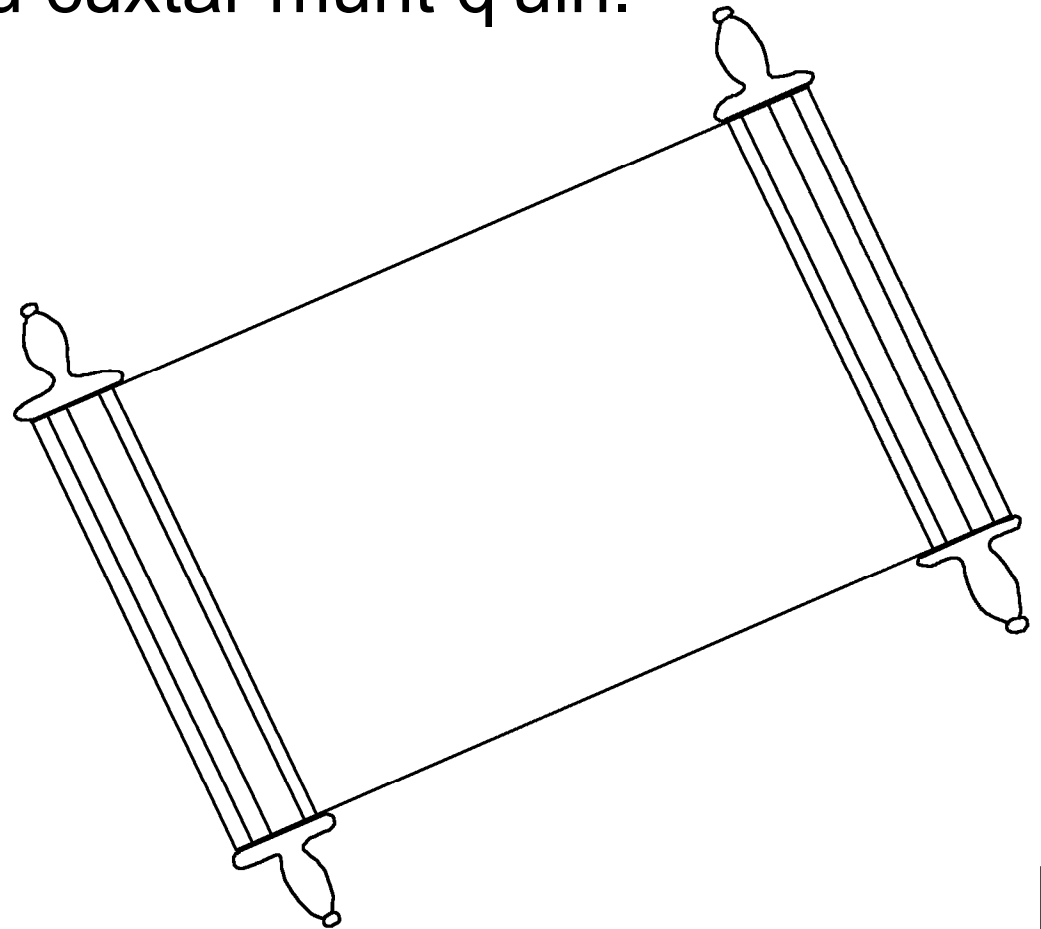
Мл' ja wirej, quire' a ray u q'uinino', мл' yacsa' a c'aso',  
mix хан, a mac c'aso' мл' u yacsa', млна' ба' a cu bin  
tac'bir u jo'r ten C'uj. A C'ujo', je' u reyinticob mac quet  
yejer Jesús u тлмлн yuc C'uj. A ray u q'uinino', a ray  
ylninob C'uj je' u c'  
ujinticob C'uj. A ray  
u q'uinino', jeroj  
tune', robob a mac  
ylninob C'uj,  
rajra' je' u binob  
ich лслтan ti' C'  
uj, quire' raji'  
ylninob C'uj.  
Je' u ts'ibtaj u  
c'aba' tu pam a  
ti'obo'.



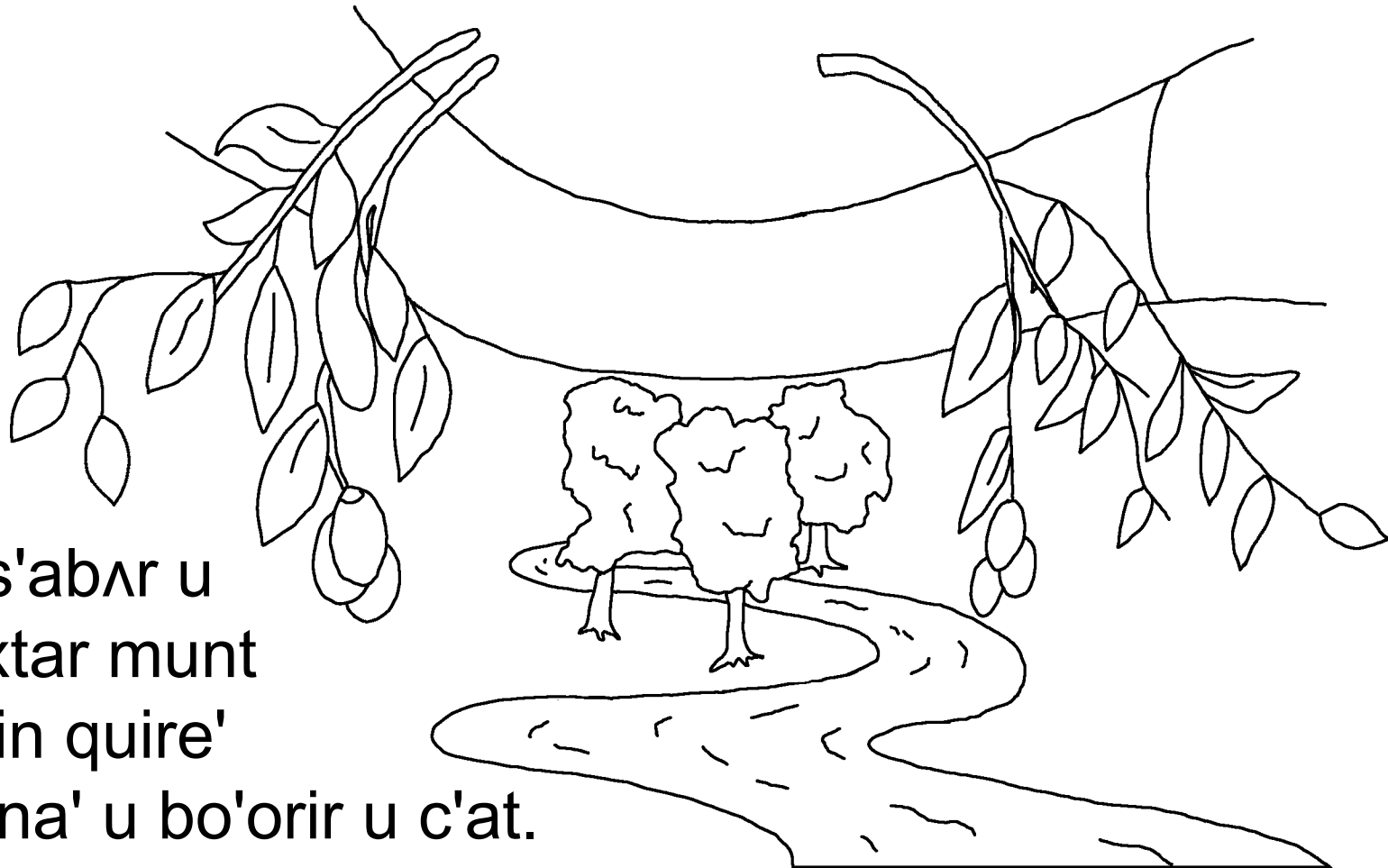
A ray u q'uinino', caj in wiraj tu cotor mac a quimenob,  
cax a no'jo', cax a ml' no'jo' uch. Ruc tarob quir u binob  
ich лслтan C'uj tu cu bin tacbir u jo'rob ten C'uj. Jeroj  
tune', caj jita'b u ju'unin quir yiric wa mac manob tu  
tsoyir, wa mac ml' manob tu tsoyir mac.  
Jeroj tune', caj in wлс'лs ir u jer u ju'unin,  
tu ts'iba'an a mac a cu bin acsa'bir  
ten C'uj ich ca'anan quir u  
cuxtarob munt  
q'uin.



Raji' toc jita'b u ju'unin xan. Rajen a mac a caj c'uchij  
ich лслтan C'uj wa mλ' irir ich u ju'unin tu ts'iba'an u  
c'aba' mac quir u cuxtar munt q'uin, raji' cu bin purbir  
ich c'ac' tu cu yerar ich petja'ir c'ac' quire' mλ' irir tu  
ts'iba'an u c'aba' quir u cuxtar munt q'uin.



Мл' ja wirej, raji' u Taj'or u Pixam C'uj quet yejer tu cotor  
a yacsmλnob tu yorob tan u t'λnicob Cristo tan ya'aricob  
ti': –Cojen. Bayiri' xan, tu cotor mac a tan u yubicob a  
jeroj, bayiri' xan, ca' ya'arej: –Cojen. Rajen a mac a ju  
c'at tacbir soc u cuxtar munt q'uin, arej u tar, je'



u ts'ablɾ u  
cuxtar munt  
q'uin quire'  
mλna' u bo'orir u c'at.



'MΛ' ja wirej, a C'ujo' jach manan cu  
yajquintic tu cotor mac ich yoc'ocab.  
Rajen tu tuchi'taj u parar turiri'. Rajen  
tu cotor mac a cu yacsic tu yor ti'  
cu bin tacbir soc mΛ'u bin erar  
ich c'ac'. Chen cu bin ts'  
abΛr u cuxtar munt  
q'uin.



### Romanos 3:23

Mɔ' ja wirej, biquinin C'uj p'eri' yirico'onex? Quire' tu cotoro'onex caj ij cacsex ic si'pirex. Rajen, a C'ujo', mɔ' c'ucha'an yor ya'arej: “Jach tsoyechex”, quire' mɔna' mac cu man tu tsoyir an ten bic C'uj u c'at.

### Romanos 6:23

Mɔ' ja wirej, u bo'orir u si'pir mac quir u ts'abir u muc'yaj. Chen a C'ujo', caj u sijato'onex quir ij cuxtarex munt q'uin quire' tij cacsex tij corex ti' Jesucristo ic Jaj Ts'urirex.

### Hebreos 9:27

Mɔ' ja wirej, tu cotor mac teni' cu chen quimin quire' baxuc caj ya'araj C'uj. Bayiri' chen teni' cu bin ɔɔtan C'uj quir yiric ba' tu betaj uch.



## Efesios 2:8,9

Mɔ' ja wirej, quire' u jach tsoyir u pixam C'uj, caj u tacajo'onex wa ber tij cacsex tij corex ti' Cristo. Mɔ' u tacbaro'onex C'uj cax a ba' tic betajex. Mɔ' ja wirej, tu tacaj to'onex quire' a ba' u bljiri' caj u betaj, tu chen sija to'onex. Mɔ' ja wirej, quij, mɔ' tu tacato'onex C'uj quire' ic beyajex, quire' je' ic manex tan ij cariquex bic tabar tu tacajo'onex C'uj soc a rac'obex cu bin u tucricob techex jach caremechex.

## Romanos 10:9,10

Mɔ' ja wirej, soc u taquiquechex C'uj ca' a wacsex ta worex ta pixamex wa Jesucristo ic Jaj Ts'urirex. Ca' a wacsex ta worex ta pixamex wa ric'sa'b Jesús ich u quimirir. Ca' a wa'arex, raji' a Jaj Tsurirex ca c'ɔmiquex. Quire' a mac a caj u yacsaj tu yor ti', je' u ruc'sa'r u si'pir ten C'uj. Wa ber quij cariquex ti' mac wa tij cacsex tij corex ti' ic Jaj Ts'urirex Jesucristo, jeroj, caj u taco'onex.



## San Juan 3:16,17

'Mλ' ja wirej, a C'ujo' jach manan cu yajquintic tu cotor mac ich yoc'ocab. Rajen tu tuchi'taj u parar turiri'. Rajen tu cotor mac a cu yacsic tu yor ti' cu bin tacbir soc mλ' u bin erar ich c'ac'. Chen cu bin ts'ablɾ u cuxtar munt q'uin. Ic Tet C'uj tu tuchi'taj u parar tera' ich yoc'ocab. Mλ' tarij quir u ts'ic u muc'yaj a ti' yλn ich yoc'ocab quire' yλn u si'pirob. Mλ' ja wirej, tarij quir u yamtic tu cotor mac.

## 1 Juan 5:11-13

A je'ra' caj u ts'a to'onex ij cuxtarex munt q'uin. Ti' yλn ich u parar C'uj quir ij cuxtarex munt q'uin. Baxuc caj u ya'ara to'onex C'uj, a werex raji' taj. Wa mac mλ' ju c'λm u parar C'uj mλna' ti' u cuxtar. Chen a mac caj u c'λm u parar C'uj yλn u cuxtar munt q'uin. Rajen quin ts'ibtic techex soc a werex toc yλn techex quir a cuxtarex munt q'uin, quire' ta wacsex ta worex ti' u parar C'uj.



San Juan 14; 2 Corintios 5; Apocalipsis 4, 21, 22

Storyline by: Edward D. Hughes

Illustrated by: Lazarus, Alastair Paterson

Adapted by: E. Frischbutter, Sarah S.

Lacandon NT (lac) © 1978, Wycliffe Bible Translators, Inc.  
All rights reserved.

<https://live.bible.is/bible/LACTBL/MAT/1>

©2025 Bible for Children, Inc.

[www.M1914.org](http://www.M1914.org)

[www.bibleforchildren.org](http://www.bibleforchildren.org)

