

San Juan 14



Jesús caj ya'araj ti' u camslwinicob: –Ml' a xac' a tucriquex ba', acsex ta wor ti' C'uj. Baxuc ten acsex ta worex ten xan. Tar quin bino' ich in Tet C'uj. Wa ml' taj ca'ch ml' in wac techex. Tar quin bino' quir in tsoyquintic quir a wocarex quir a cljtarex. Cu ts'ocar in tsoyquintique',

je' in ca' tare'

quir in plyiquechex

soc

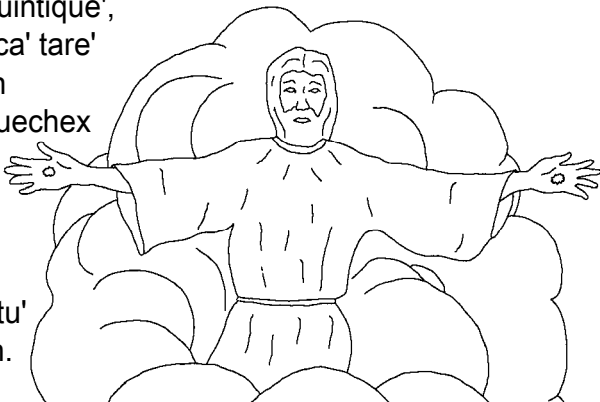
rajra'

ti'

ylne-

chex tu'

ylnen.

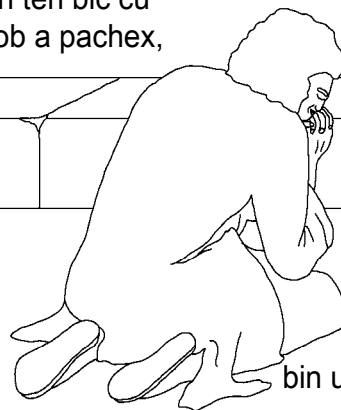


1

A techexo', a mac a ti' ylno', a yacsmalnob tu yorob tu cu much'quinticob u bljob quir u c'ujinticob C'uj ich u ru'umin Asia, a sietej najo'.

A teno' Juanen, a wet acsl'orirenex.

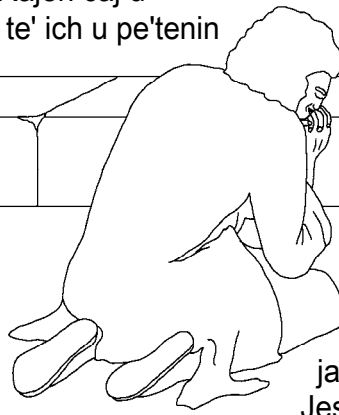
Baxuc an ten bic cu chuquicob a pachex,



bayiri' ten xan,
cu chuquicob in pach,
quire' tin wacsaj tin wor. An ten bic C'uj bin u ca' yacsiquechex

2

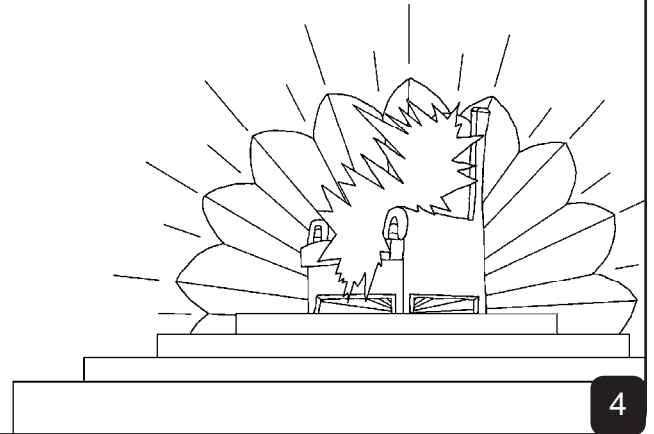
tu quic bin ic reyintiquex, baxuc ten, bin u ca' u yacsen quire' p'eri'o'onex. An ten bic techex ca muc'tiquex a ba' cu tar techex, baxuc ten quin muc'tic, quire' Jesucristo quin muc'tic. Rajen caj u purenob te' ich u pe'tenin



c'ac'nab u c'aba' Patmos. Tu p'atenob tu pe'tenin Patmos, quire' caj in tsec't u jach tsoyir u t'λn Jesucristo.

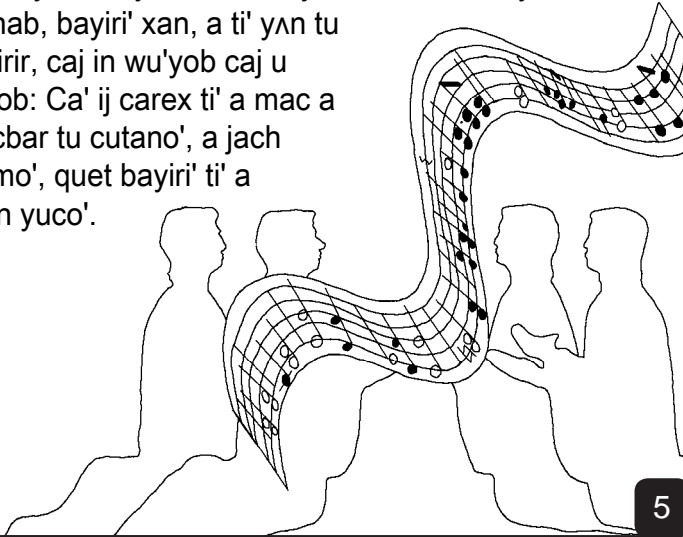
3

Seb caj u tar tin woc'or u Taj'or u Pixam C'uj soc raji' quin ts'urintic. A ba' tin γλn iraj ich ca'anan caj in wλyλc'taj, a C'uj'o', ti' γλn tu cutan a jach caremo'.



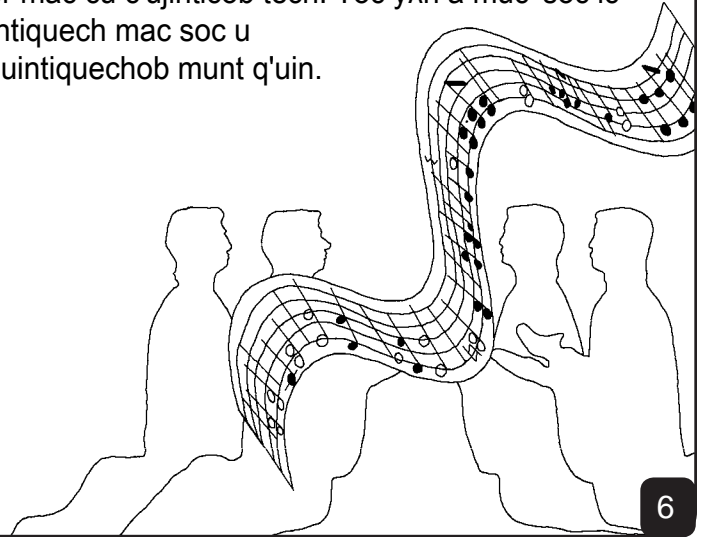
4

Tu cotor a ba' beta'b ten C'uj, a ti' γλn ich ca'anan, bayiri' a ba' ti' γλn ich yoc'ocab, bayiri' xan, a ba' ti' γλn ich c'ac'nab, bayiri' xan, a ti' γλn tu quimirir, caj in wu'yob caj u ya'arob: Ca' ij carex ti' a mac a curucbar tu cutano', a jach caremo', quet bayiri' ti' a λλλλλ yuco'.



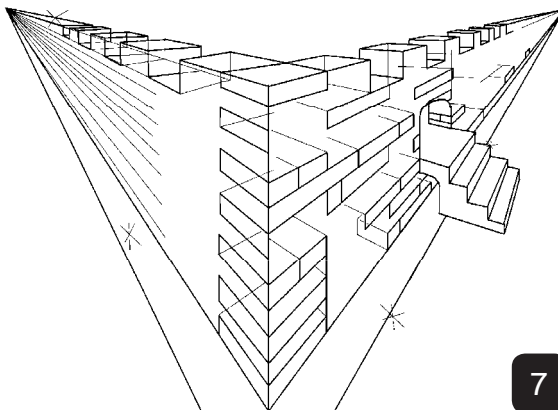
5

Ca' ij carex, jach caremech, ca' ic sλj tech soc tu cotor mac cu c'ujinticob tech. Toc γλn a muc' soc ic reyintiquech mac soc u yajquintiquechob munt q'uin.



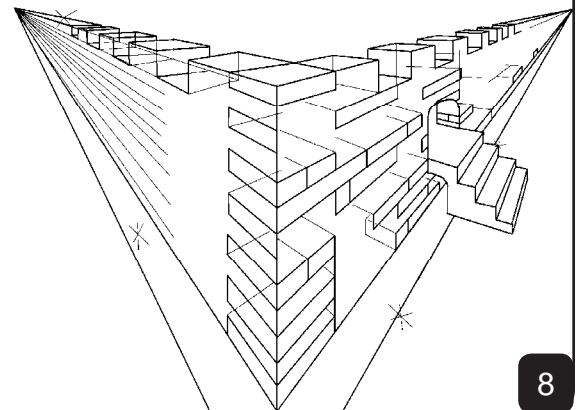
6

A teno', Juanen, caj in wiraj u cajar C'uj, a Jerusaléno', irej wa tan yeman te' ich ca'anano', tu cu bin u sλjtarob a mac a taj u yorob. A ray cajaro', caj in wiraj jach manan tsoy an ten bic a xquico' a cu buquintic u noc' a jach manan tsoyo', quire' tar ch'abir ten u mam. Baxuc, caj in wiraj u cajar C'uj.



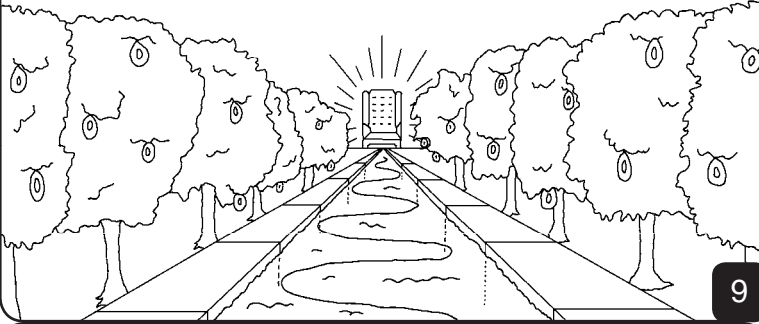
7

Raji' caj u ya'araj: -C'uchij tu q'uinin cu bin u sλjtar C'uj yejer a mac a yerob C'uj. U bλjiri' C'uj cu bin u sλjtar ich a yerob C'uj. Mλ' u bin p'λt'bir, a baywo' raji' je' u yerob C'uj soc ij quet man C'uj. A t eno', caj in wu'yaj u t'λn mac, jach c'am caj u puraj u t'λn irej wa jach t'λn C'uj tin wu'yaj.



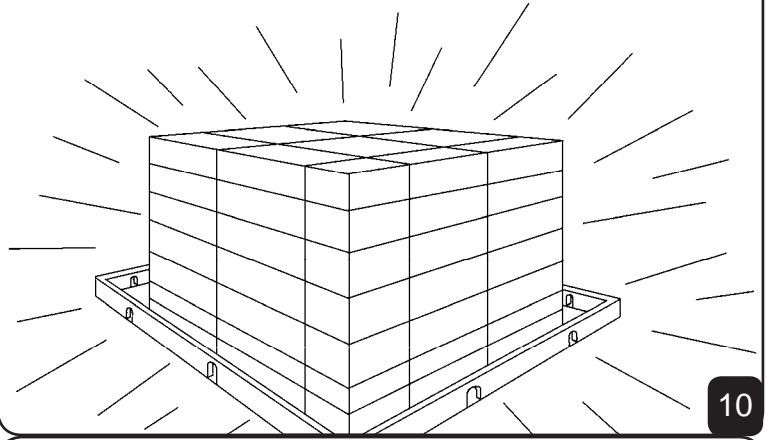
8

Tu cajar Jerusalén tu cu bin u cɔxtar mac a cu tocar ten C'uj. Raji' u ɣɔɓmasir u t'ɔn C'uj caj u yesaj ten yic' ja' a cu ts'ic quir u cuxtar mac. A yoc yic' ja'o', ti' cu man yoc yic' ja' ich yaran u cutano', a jach caremo', bayiri' xan, u yoc yic' ja' tu cu man ti' u cutano', a ɣɔɓnin u tɔmɔn yuc C'uj. Chich yoc ya'arir, jach sɔc u wich an ten bic u sasir nen.



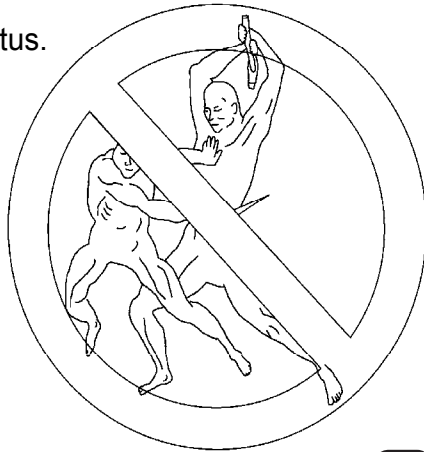
9

A ray u cajaro', mɔ' ba'wir a ic yumo', quij, mɔ' ba'wir ic nɔ' xan, quir u sasichɔɓɔrob u cajaro'. Mɔ' ja wirej, ɣɔɓn u toc sasirir C'uj ti', yejer Jesús u tɔmɔn yuc C'uj.



10

A ba' jach c'aso', quij, mɔ' ju bin acsa'bir tu cajar Jerusalén, mix a cu man tu c'asir, mix a mac a p'acta'b ten u rac'ob, quire' u si'pir, mix a cu manob tus. Chen a mac cu bin ocar, a mac a tu yiraj C'uj toc ts'iba'an u c'aba' tu ju'unin quir u cuxtar munt q'uin, a ra' ɣɔɓnin u tɔmɔn yuc C'uj.



11

A ray u q'uinino', C'uj cu bin churic u wich a mac oc'hɔɓ. Mɔna' mac cu bin quimin, mɔna' mac cu yoc'ar, mɔna' mac cu bin yac'tic u bɔɓ, mɔna' mac cu bin yajtar. Quire' tu cotor ba' a ti' ɣɔɓn uch ich yoc'ocaba' ts'oquij, quire' man -baxuc caj u ya'araj a mac a cu t'ɔn uch.



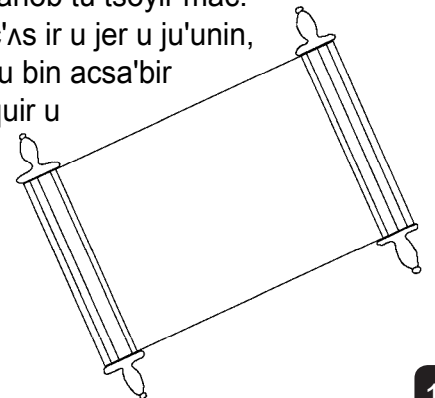
12

Mɔ' ja wirej, quire' a ray u q'uinino', mɔ' yacsa' a c'aso', mix xan, a mac c'aso' mɔ' u yacsa', mɔna' ba' a cu bin tac'bir u jo'r ten C'uj. A C'ujjo', je' u reyinticob mac quet yejer Jesús u tɔmɔn yuc C'uj. A ray u q'uinino', a ray ɣɔɓninob C'uj je' u c' ujinticob C'uj. A ray u q'uinino', jeroj tune', robob a mac ɣɔɓninob C'uj, rajra' je' u binob ich ɔcɔtan ti' C'uj, quire' raji' ɣɔɓninob C'uj. Je' u ts'ibtaj u c'aba' tu pam a ti'obo'.



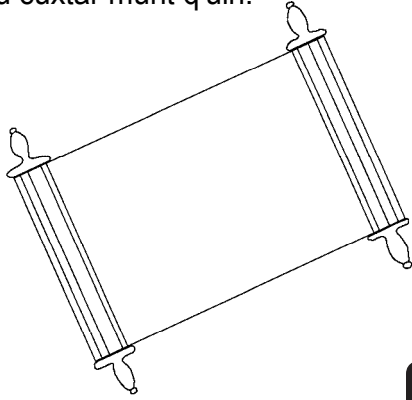
13

A ray u q'uinino', caj in wiraj tu cotor mac a quimenob, cax a no'jo', cax a mɔ' no'jo' uch. Rɔc tarob quir u binob ich ɔcɔtan C'uj tu cu bin tacbir u jo'rob ten C'uj. Jeroj tune', caj jita'b u ju'unin quir yiric wa mac manob tu tsoyir, wa mac mɔ' manob tu tsoyir mac. Jeroj tune', caj in wɔc'ɔs ir u jer u ju'unin, tu ts'iba'an a mac a cu bin acsa'bir ten C'uj ich ca'anar quir u cuxtarob munt q'uin.



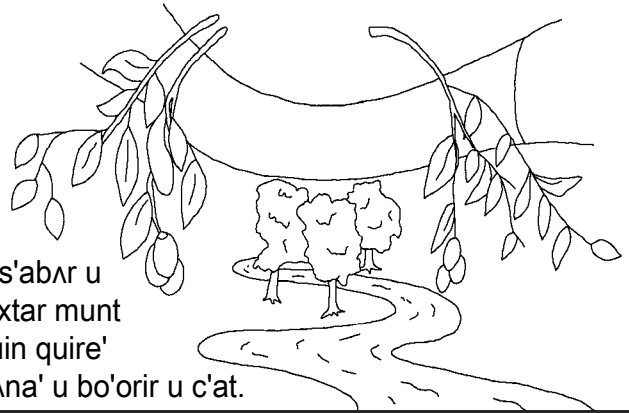
14

Raji' toc jita'b u ju'unin xan. Rajen a mac a caj c'uchij ich λ catan C'uj wa m λ ' irir ich u ju'unin tu ts'iba'an u c'aba' mac quir u cuxtar munt q'uin, raji' cu bin purbir ich c'ac' tu cu yerar ich petja'ir c'ac' quire' m λ ' irir tu ts'iba'an u c'aba' quir u cuxtar munt q'uin.



15

M λ ' ja wirej, raji' u Taj'or u Pixam C'uj quet yejer tu cotor a yacsm λ nob tu yorob tan u t' λ nicob Cristo tan ya'aricob ti': -Cojen. Bayiri' xan, tu cotor mac a tan u yubicob a jeroj, bayiri' xan, ca' ya'arej: -Cojen. Rajen a mac a ju c'at tacbir soc u cuxtar munt q'uin, arej u tar, je'



u ts'ab λ r u cuxtar munt q'uin quire' m λ na' u bo'orir u c'at.

16

'M λ ' ja wirej, a C'ujo' jach manan cu yajquintic tu cotor mac ich yoc'ocab. Rajen tu tuchi'taj u parar turiri'. Rajen tu cotor mac a cu yacsic tu yor ti' cu bin tacbir soc m λ 'u bin erar ich c'ac'. Chen cu bin ts' ab λ r u cuxtar munt q'uin.

60

60

17

Romanos 3:23

M λ ' ja wirej, biquinin C'uj p'eri' yirico'onex? Quire' tu cotoro'onex caj ij cacsex ic si'pirex. Rajen, a C'ujo', m λ ' c'ucha'an yor ya'arej: "Jach tsoyechex", quire' m λ na' mac cu man tu tsoyir an ten bic C'uj u c'at.

Romanos 6:23

M λ ' ja wirej, u bo'orir u si'pir mac quir u ts'abir u muc'yaj. Chen a C'ujo', caj u sijato'onex quir ij cuxtarex munt q'uin quire' tij cacsex tij corex ti' Jesucristo ic Jaj Ts'urirex.

Hebreos 9:27

M λ ' ja wirej, tu cotor mac teni' cu chen quimin quire' baxuc caj ya'araj C'uj. Bayiri' chen teni' cu bin λ catan C'uj quir yiric ba' tu betaj uch.

18

Efesios 2:8,9

M λ ' ja wirej, quire' u jach tsoyir u pixam C'uj, caj u tacajo'onex wa ber tij cacsex tij corex ti' Cristo. M λ ' u tacaro'onex C'uj cax a ba' tic betajex. M λ ' ja wirej, tu tacaj to'onex quire' a ba' u b λ jiri' caj u betaj, tu chen sija to'onex. M λ ' ja wirej, quij, m λ ' tu tacato'onex C'uj quire' ic beyajex, quire' je' ic manex tan ij cariquex bic tabar tu tacajo'onex C'uj soc a rac'obex cu bin u tucricob techex jach caremechex.

Romanos 10:9,10

M λ ' ja wirej, soc u taquiquechex C'uj ca' a wacsex ta worex ta pixamex wa Jesucristo ic Jaj Ts'urirex. Ca' a wacsex ta worex ta pixamex wa ric'sa'b Jesús ich u quimirir. Ca' a wa'arex, raji' a Jaj Tsurirex ca c' λ miquex. Quire' a mac a caj u yacsaj tu yor ti', je' u ruc'sa'r u si'pir ten C'uj. Wa ber quij cariquex ti' mac wa tij cacsex tij corex ti' ic Jaj Ts'urirex Jesucristo, jeroj, caj u taco'onex.

19

San Juan 3:16,17

'M λ ' ja wirej, a C'ujo' jach manan cu yajquintic tu cotor mac ich yoc'ocab. Rajen tu tuchi'taj u parar turiri'. Rajen tu cotor mac a cu yacsic tu yor ti' cu bin tacbir soc m λ ' u bin erar ich c'ac'. Chen cu bin ts'ab λ r u cuxtar munt q'uin. Ic Tet C'uj tu tuchi'taj u parar tera' ich yoc'ocab. M λ ' tarij quir u ts'ic u muc'yaj a ti' y λ n ich yoc'ocab quire' y λ n u si'pirob. M λ ' ja wirej, tarij quir u yamtic tu cotor mac.

1 Juan 5:11-13

A je'ra' caj u ts'a to'onex ij cuxtarex munt q'uin. Ti' y λ n ich u parar C'uj quir ij cuxtarex munt q'uin. Baxuc caj u ya'ara to'onex C'uj, a werex raji' taj. Wa mac m λ ' ju c' λ m u parar C'uj m λ na' ti' u cuxtar. Chen a mac caj u c' λ m u parar C'uj y λ n u cuxtar munt q'uin. Rajen quin ts'ibtic techex soc a werex toc y λ n techex quir a cuxtarex munt q'uin, quire' ta wacsex ta worex ti' u parar C'uj.

20

San Juan 14; 2 Corintios 5; Apocalipsis 4, 21, 22

Storyline by: Edward D. Hughes

Illustrated by: Lazarus, Alastair Paterson

Adapted by: E. Frischbutter, Sarah S.

Lacandon NT (lac) © 1978, Wycliffe Bible Translators, Inc.
All rights reserved.

<https://live.bible.is/bible/LACTBL/MAT/1>

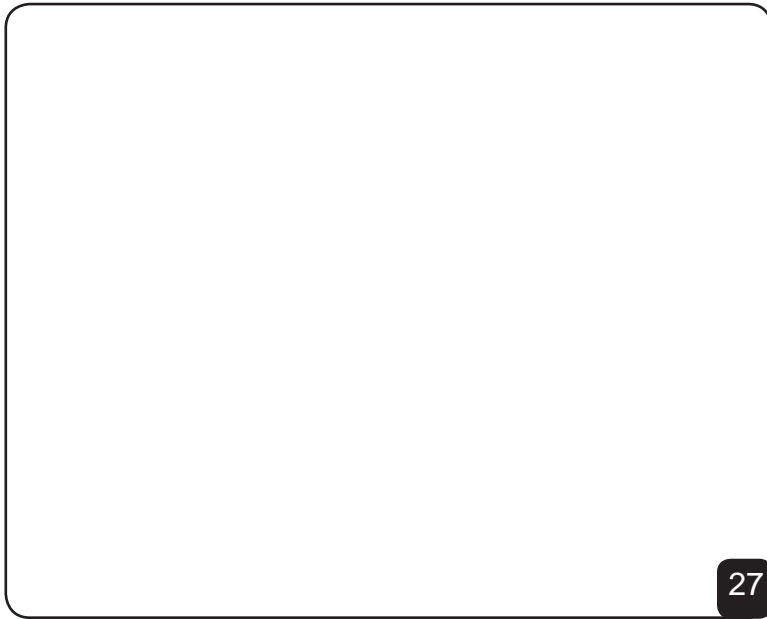
©2025 Bible for Children, Inc.

www.M1914.org

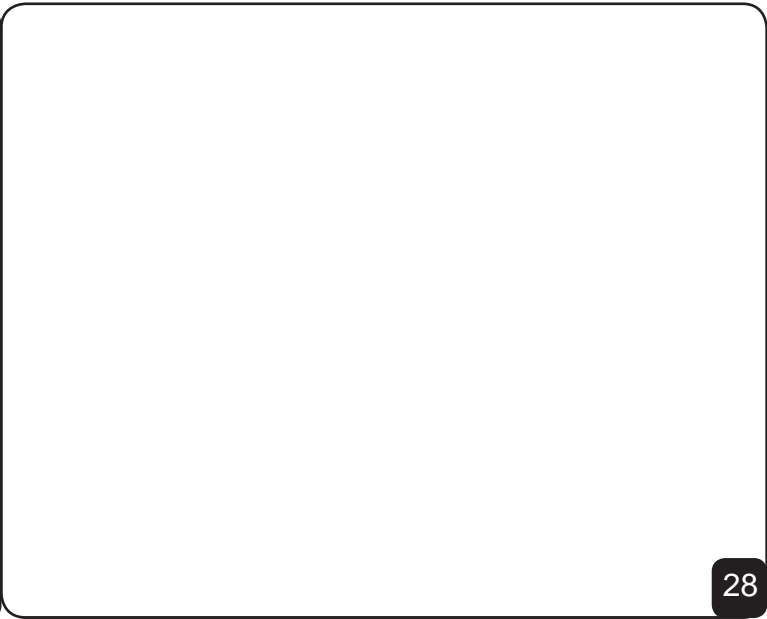
www.bibleforchildren.org

21

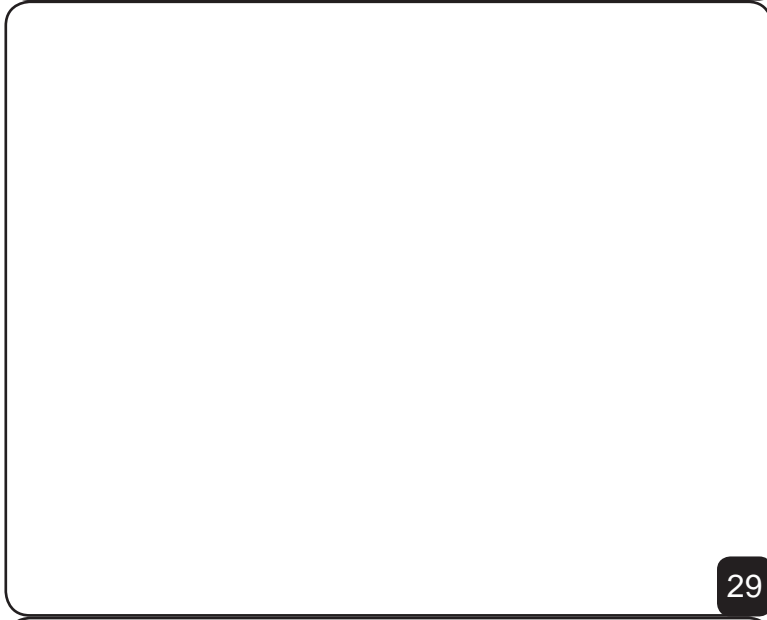
22



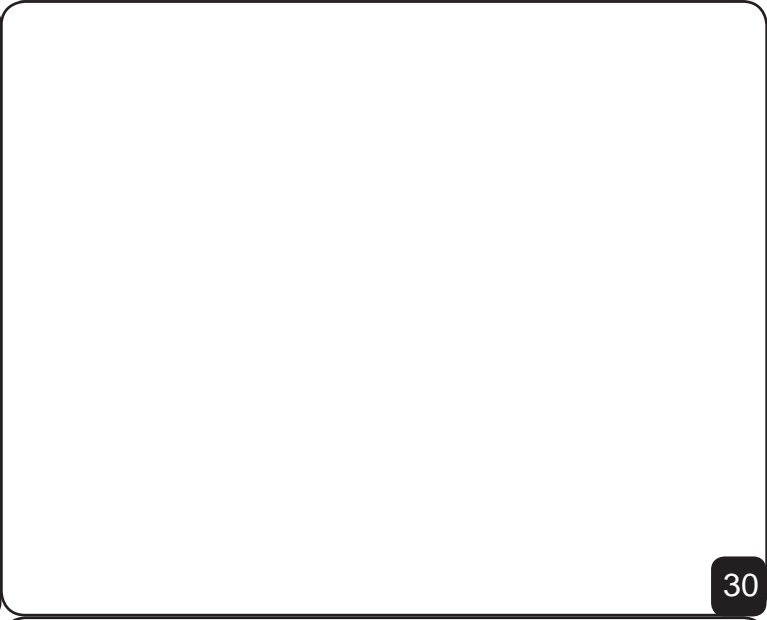
27



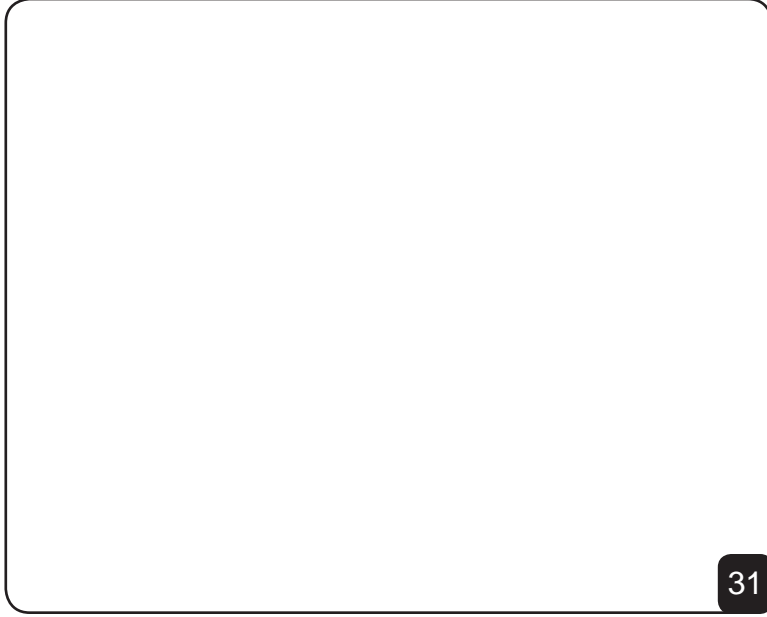
28



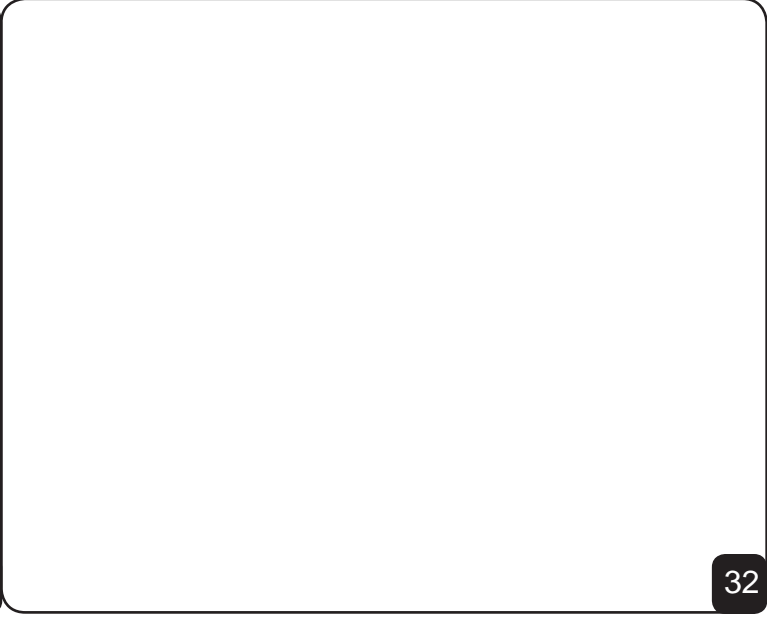
29



30



31



32