

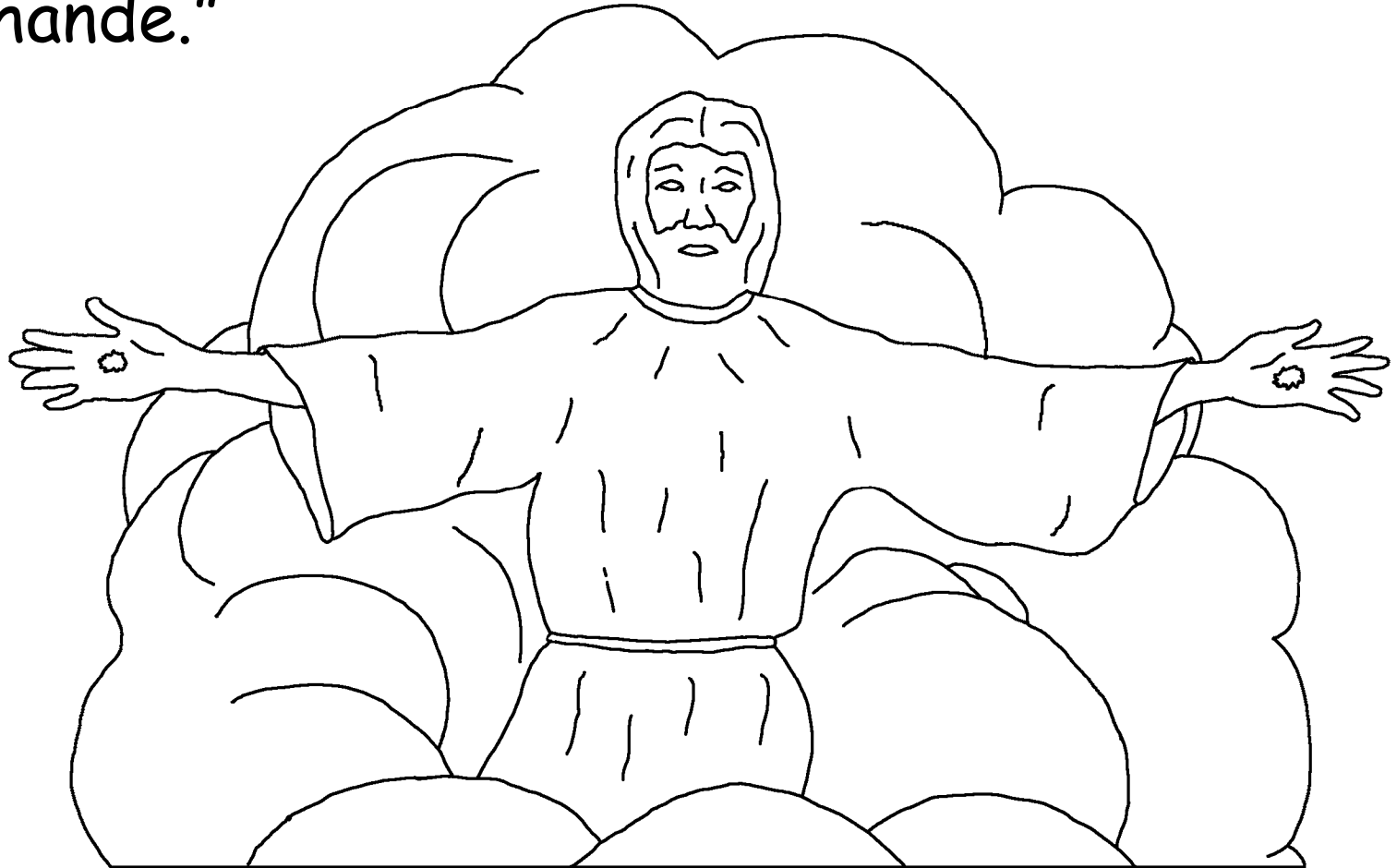
www.BibleForChildren.org



Yohansi 14



Yesus Nakot la re Niwra: "Upa-a'na miy re, yan ihrami re rteplu. Pesiaymi narur lia Uplerlawna, me narur wial mai A'u. Gen riahu erla A A'mu romni de. Alia' hande totpena Awuahi' targa geni tiy miy. A'ukot nohor gen die tiy miy, yoma plollola de genmi erla hande."

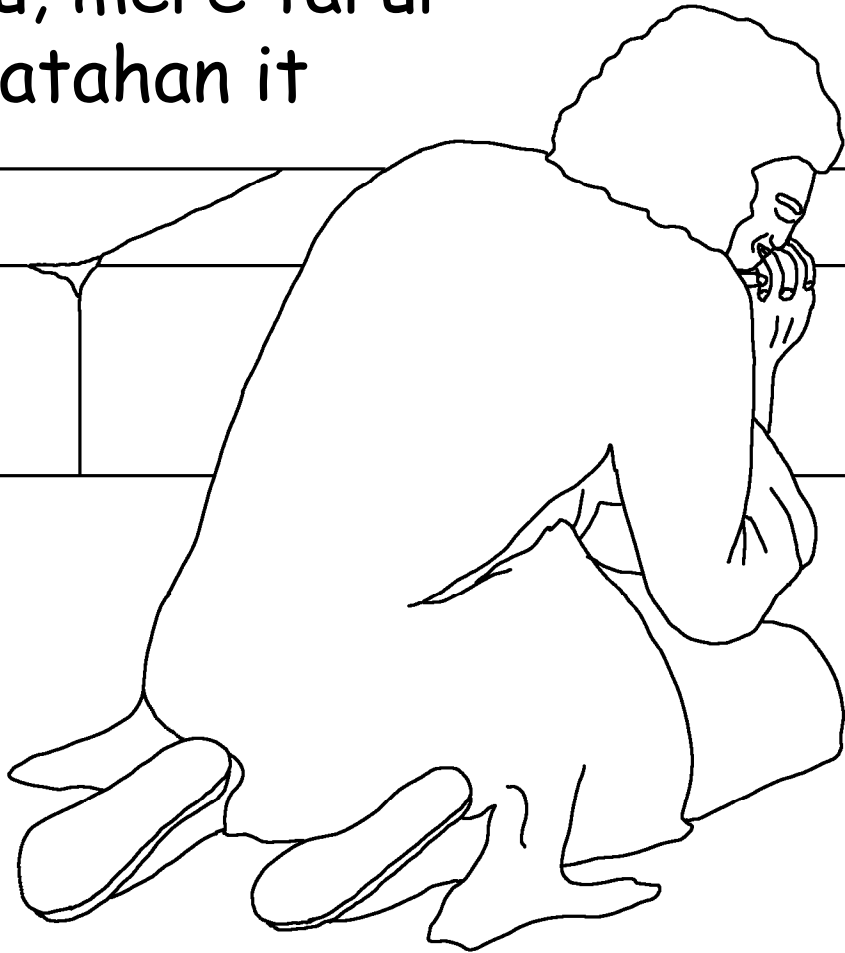


"La'pa Awuahi' targa genmi re, nanpena hota A'uwal
pia mua wuatrom miy totpa Agod wali miy lia hande,
totpena Adiella hanmeni de miy er wal lia."



Inmi-narmi Yohansi a'u, it hononita tler la liewr
ida la'a it pesiayni la Yesus Kristus pa
reiniande tler la kropna-krieutu,

lui-nuhru, mere tarur
niekpa tatahan it



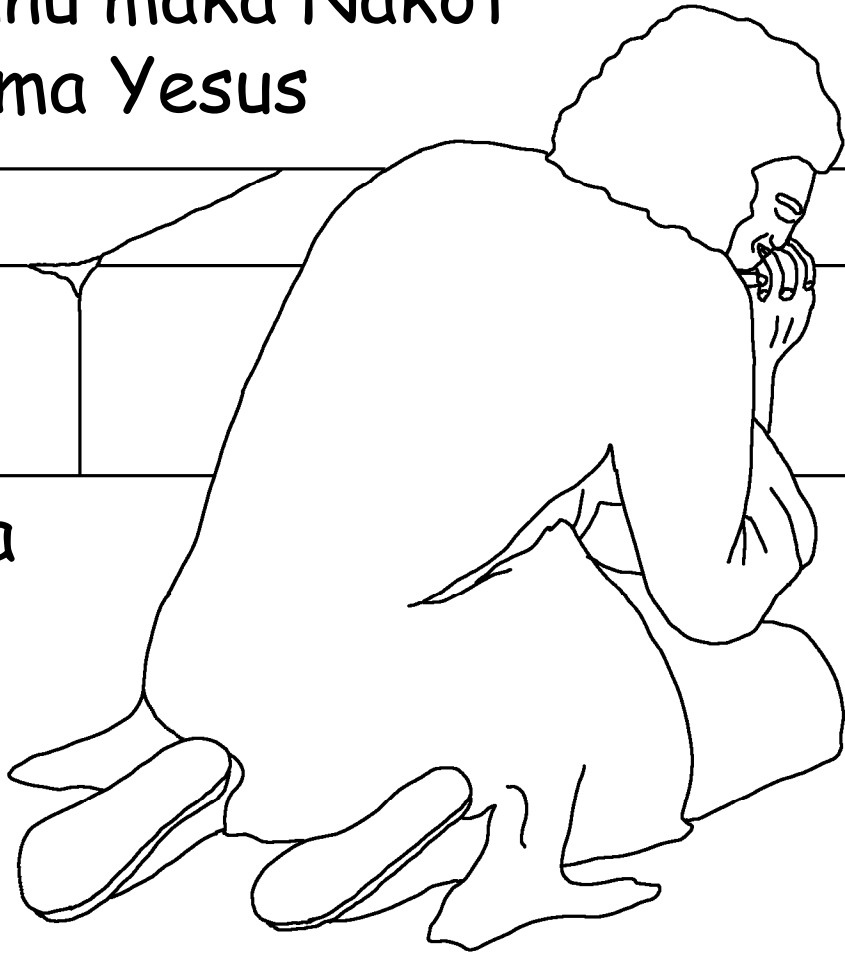
ralamni. It rewre'wa
pa tla' riy mak
Uplerlawna Nodi
plooli la
emeka Ray.



Itler la hari honona yoma itler wutg olek la Yesus.
Ina-nara, rolin targa a lia' a noha Patmos
yoma awuahaur nohora Uplerlawna

lirni-tunnu maka Nakot
taru, noma Yesus

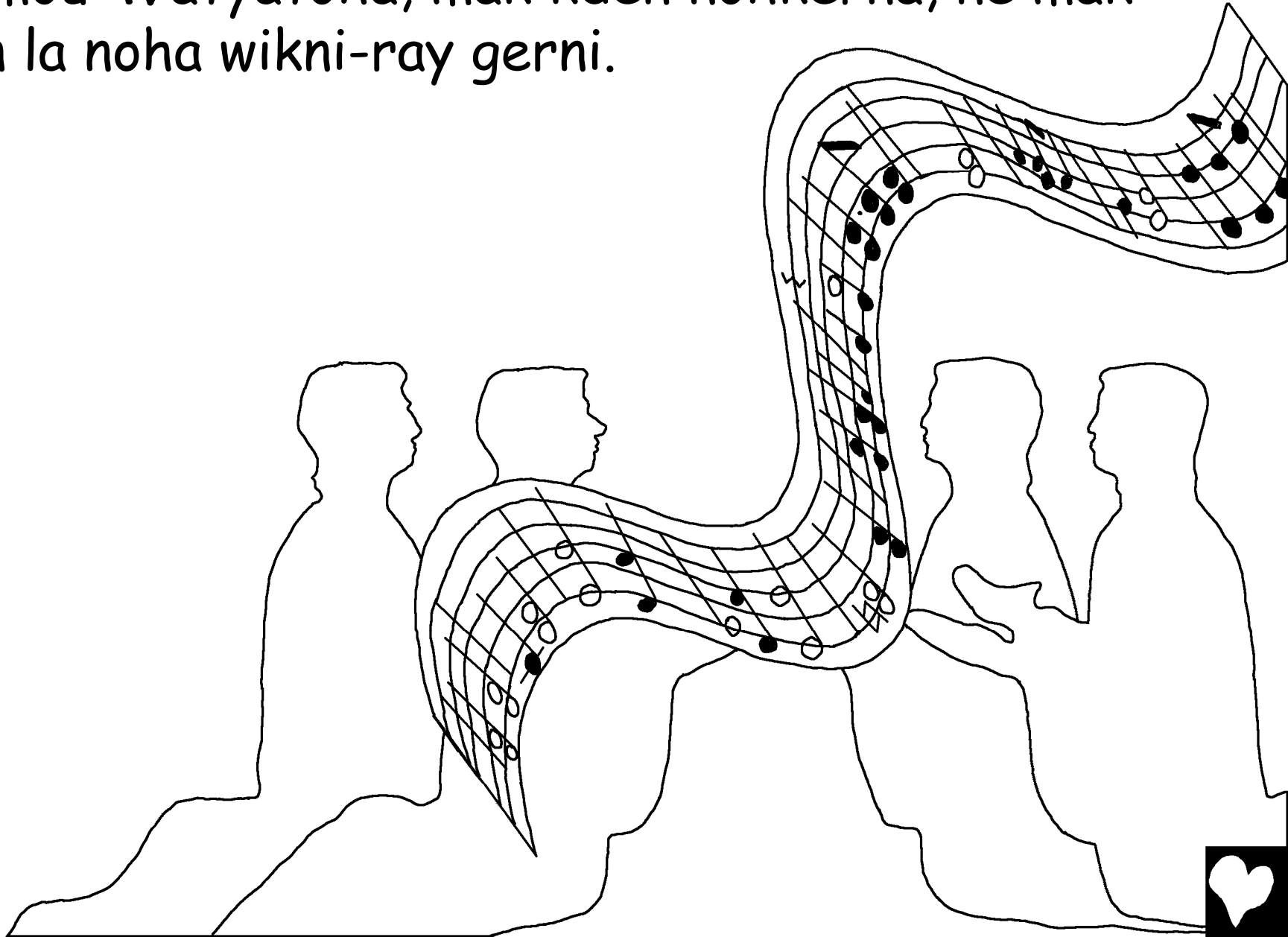
Nalharria
mai a'u.



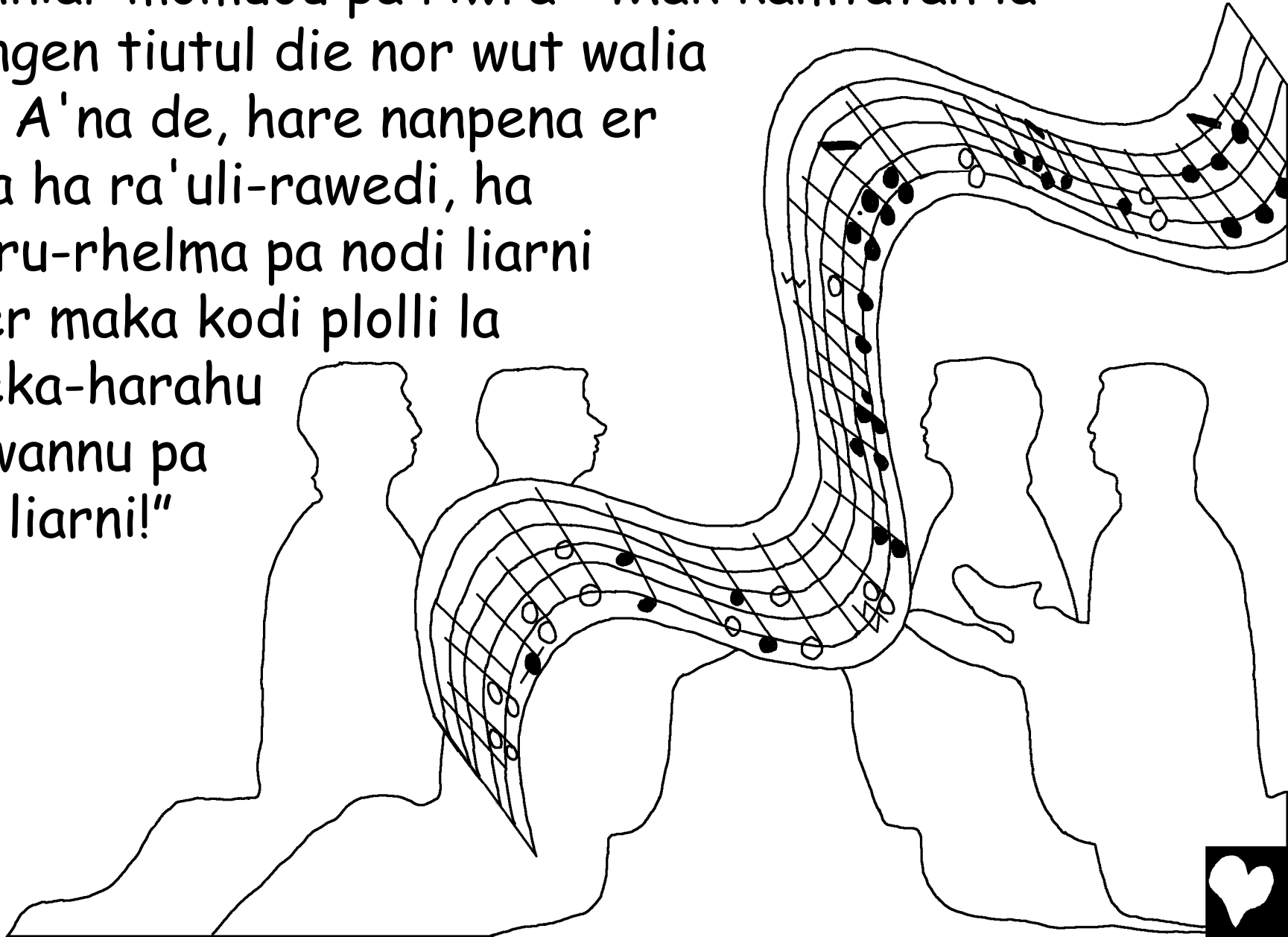
La'pa mtatan de nekpa Uplerlawna Nhiwni Nodi plolli
mai a' pua umkek la Ilyamou-Watyatoha de Riy ida e
Namtatna la mtatangenni ida.



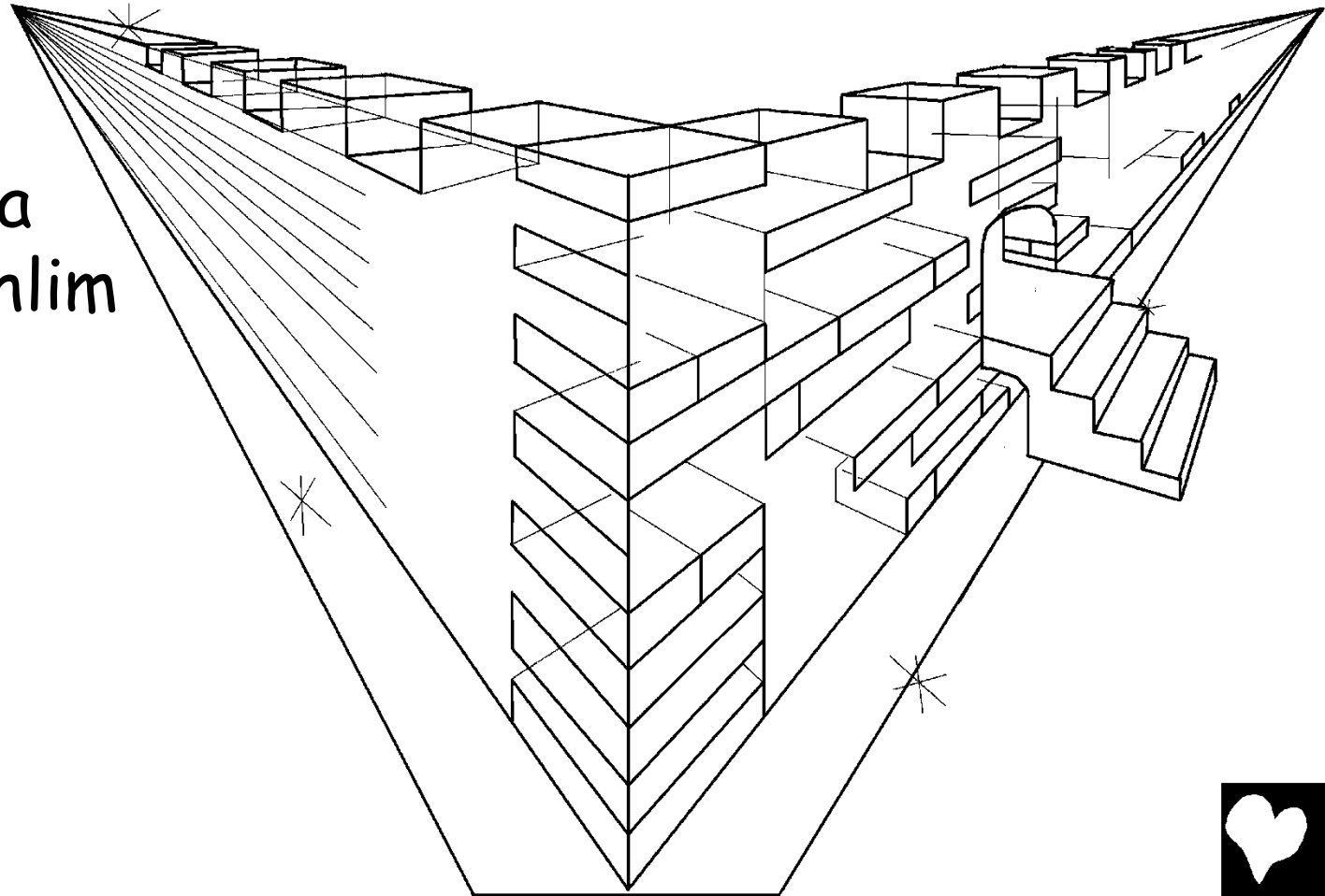
Noma a'utlin walia mak kmormior lia
Ilyamou-Watyatoha, mak kden nohkerna, ne mak
kden la noha wikni-ray gerni.



Rrekan neka lahya' mak kdella lyanti nayanni,
rwahniar momuou pa riwra: "Mak kamtatan la
liwangen tiutul die nor wut walia
Dum A'na de, hare nanpena er
maka ha ra'uli-rawedi, ha
rhu'ru-rhelma pa nodi liarni
me er maka kodi plolli la
haneka-harahu
wuawannu pa
nodi liarni!"

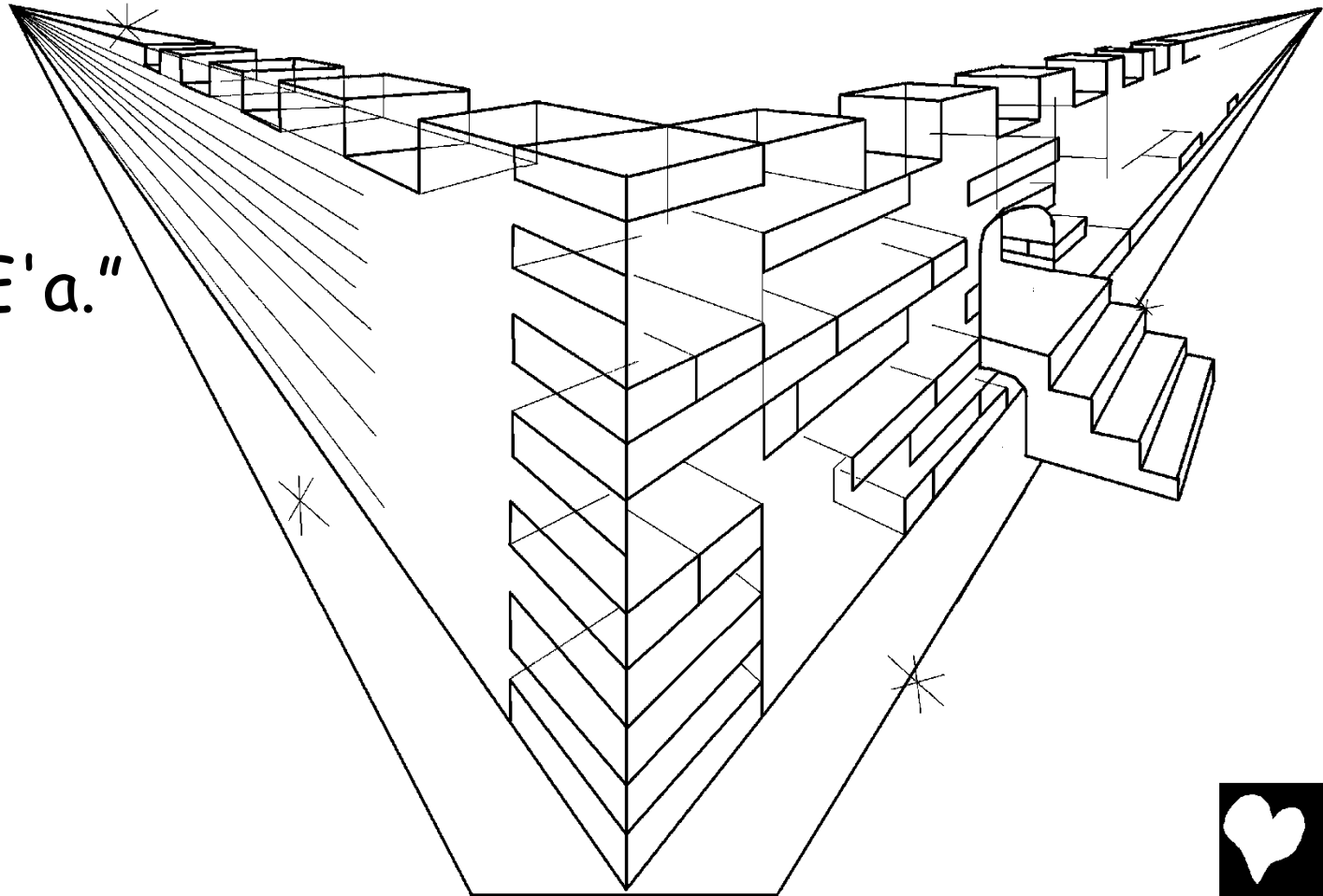


La'pa a'umkek de Let mak kmou-kwitna, mak kakleh do'a-hal de maka rweta la Yerusalem Warwuaru, ema rhuriernia la Ilyamou-Watyatoha pa nerun la yawa, yoma Uplerlawna ed mak kal hade. Let de liplipa-kamka'ma nohora Uplerlawna tutullu-lolo'oni pa emolmolla patke'a maka ralipa-raka'ma pa hota ramehlim wutga la a'na muanke'a ida.



Noma a'utlin de lir lawna ida nwatiaga liwangen tiutul pa niwra: "Mitlina! Dodo'ondi de Uplerlawna genni mana nden wut lia rimormiori ha rden la. Hota Enhi'a ir la E mutnu-rahamu pa Nora re rden wut lia geni-tiena ida. Uplerlawna Nden wut lia ira,

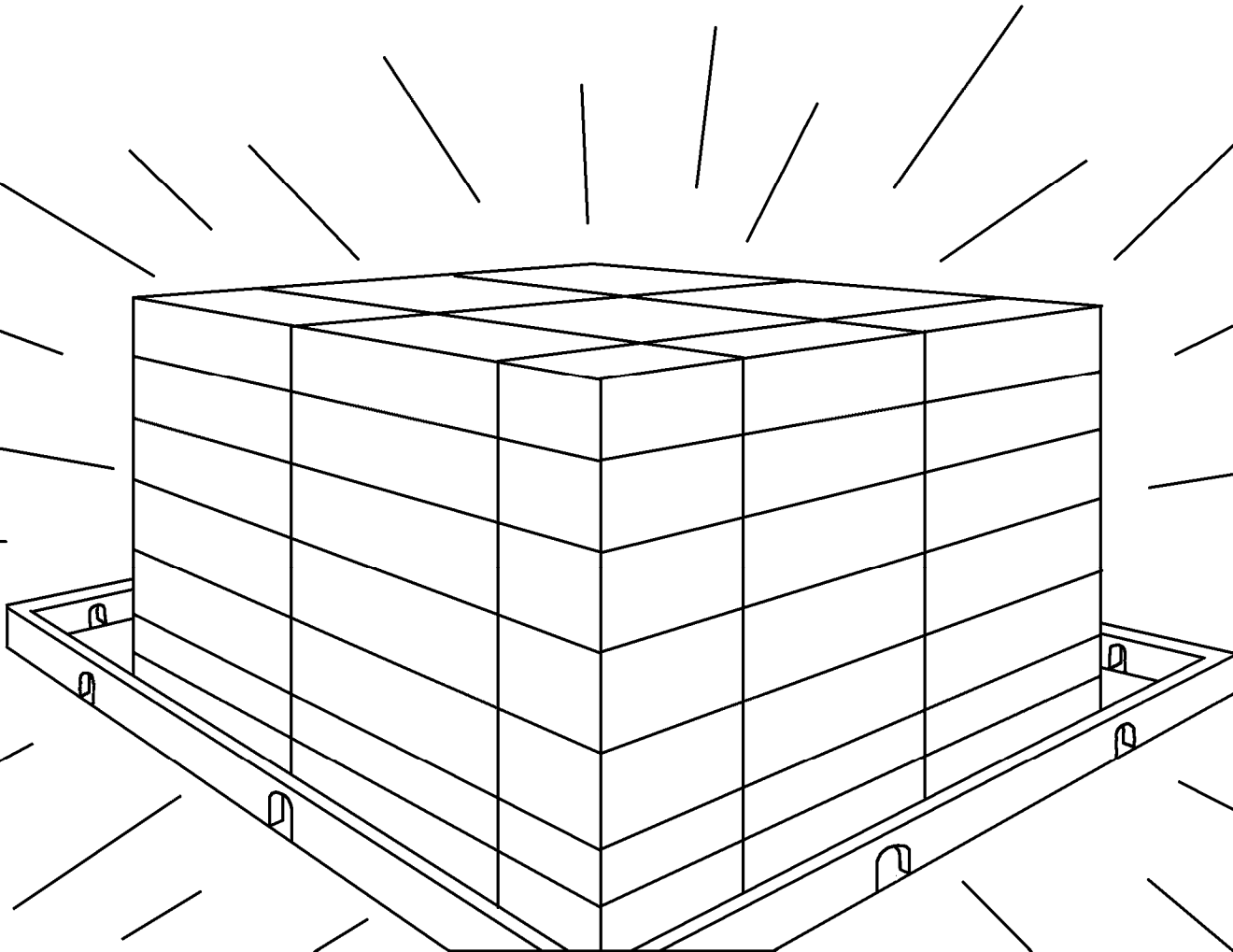
ne ir mana
rkola
tieru-rawur
nehla rer lia E'a."



Hopopan de ntut wualia gerlawna mak kodia mormiori-dardiari, mai a'u. Gerlawna mak kamememi pa itamkek de nlipa-nka'ma pa emeka wat mi'na, de nwatiawua Uplerlawna nor Dum A'na de liwangen tiutullu pa nwau liola talan lawna letgarni la let de ralamni.



La let de edon rwahaka lera-wolla lairni yoma
Uplerlawna preheni-mkaini hitita-lomlomr oleka la let
de. Ne Dum A'na de Nlipa-nka'ma pa Nwauga wa'du
mormiori.



Mere la'pa rimormior miaka khi'a-kyapia
do'a-hala kdeheni-ktiahiani onde maka
rhoi-rtan lia uplera-upmati,
la'pa mak kputra-kpalka,
de edonna ror la'a let de
ralamni. Mere eneknek
to'ama riy maka ha
rhorat tar nanni la
puka riy mak
kmormiori pa
nodi liarni.



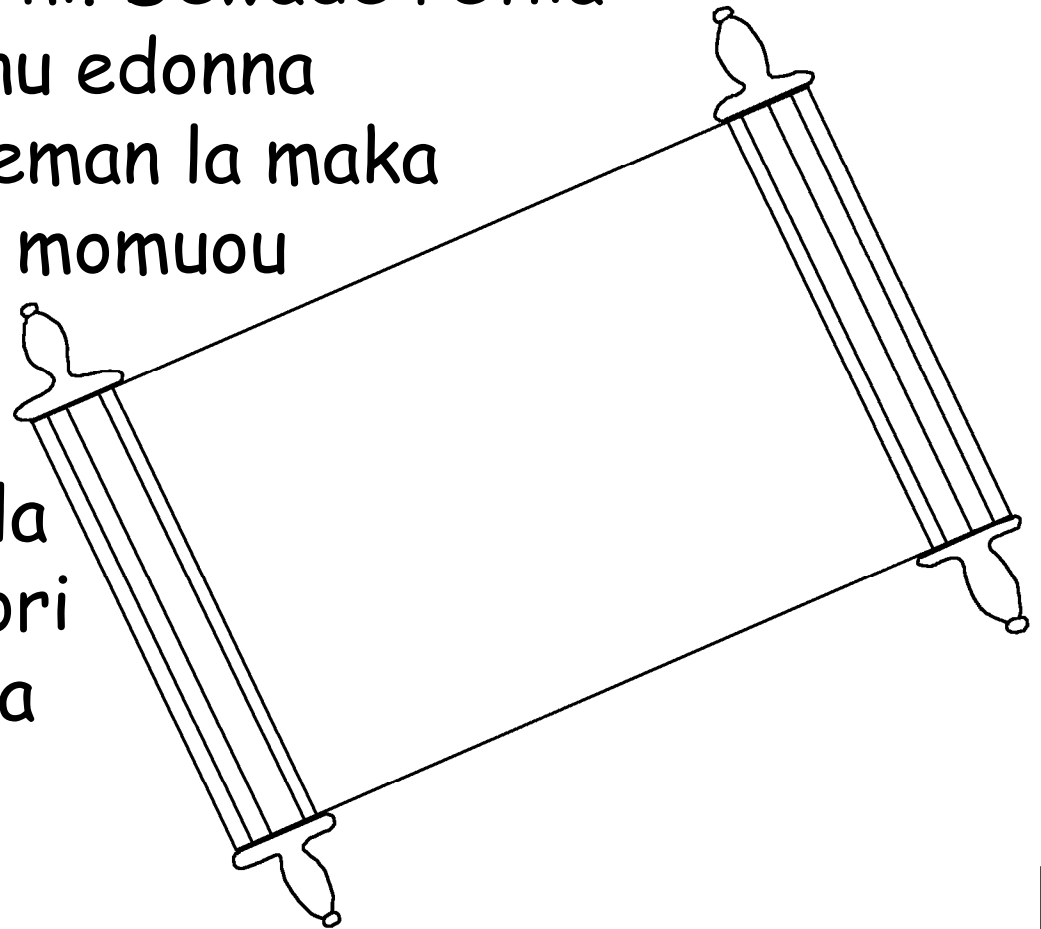
Ne E' ed maka knah ir luini-nuhranu
la ir gaini. Matmiati-molmuolu, ralam
mawla, lui-nuhru onde mehra-mau
mana edon olekwa. Yoma hya' maka
tamkeka me ta' eram nana la ulul
geni re, de edon olekwa.



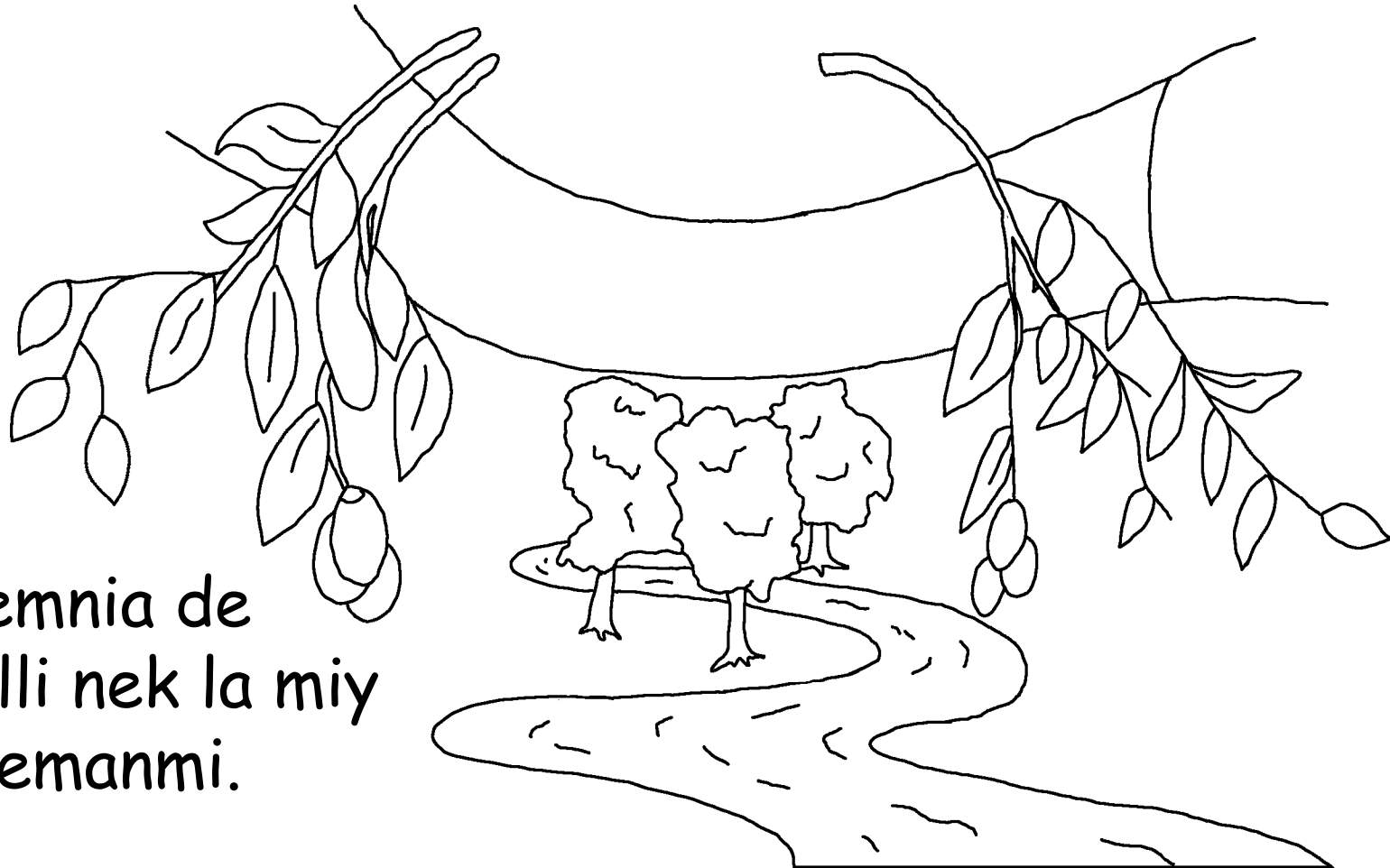
La let de ralamni de it edonna tlernana hya' maka
Uplerlawna Nhorghala-nwaghala. Uplerlawna nora
Dum A'na de liwangenni-mtatangenni ed mak kawniau
lia let de letgarni. Ne Uplerlawna mutnu-rahamu
makpesiay re hota
rhima-rre' rer lia
E'a. Ne hota
ramkek meman la E
gaini ralamni. Ne
rhorat targa E
nanni la hare
reranni.



Ne a'umkek de mati-molu kuku'uni-lalawanni raprir
pia rpepan reria liwangen tutul die gaini ralamni.
Noma puk ke'a-puk lawna re honona de rawnial
momuou. Noma puka id to'a de puka riy mak
kmormiori pa nodi liarni. Dewade retlia
mak kmati re niukamnu edonna
npa'eini-npahal et mieman la maka
ha rhi' nana, yoma er momuou
lia puka re ralamni.
Riy maka nanni
edonna rhorat targa la
puka riy mak kmormiori
pia nodi liarni, de hota
rrinnia momuoga la ai
mormiori ralamni.



Uplerlawna Nhiw Lululli, me Pat Mak kmehlima nakot
walia: "Mmiai wia!" Mak katlin ho' hadi mana niwra:
"Mmiai wia!" He' ed maka tiernu kerna, de mlier pa
mmiai wia. Ne he' ed maka ralamni kwahak pa nemun
de mtipua ger mak kodia mormiori-lewlewan de pa



miemnia de
plolli nek la miy
nniemanmi.



De yoma
Uplerlawna
sniayanni la'a
rimormiori nohkeran di inponni memna,
pede Enala Wutmueheni-Laimieheni A'
die, totpena ha meni mak kpesiay
A' die hota edonna nler la
matmiati-molmuolu pa rrinnia
la ai mormiori ralamni mere
nlernana mormiori
plalahwa pa
nodi
liarni.



Roma 3:23 Yoma riy honona rler olek la do'a-hala ralamni, me nhiolli re oliet meman la Uplerlawna plolli-mneheni nhiolli-lietni mak kmou-kwitna.

Roma 6:23 Yoma do'a-hala wniahlani de matmiati-molmuolu plalahwa. Mere Uplerlawna Nara'a-napal niana mormiori plalahwa pa nodi liarni la riy mak kor wutga Kristus Yesus, Itmatromlawanni tla' ihru ida-ralm ida.

Ibrani 9:27 Ne hota emeknekama Uplerlawna Nakota de hota rimormiori rmat die raralamni nmeh'a pa nhorwua nanpena Uplerlawna ed maka khudi-kpara re,



Epsus 2:8,9 La'a Uplerlawna ralam kalwiedni pede E Nalewan miy onnila miy pesiaymi la Yesus. Ne miy lewlewanmi de edon riwra yoma la'a riy ruri-lai wamueheni, mere hade nwatiawua Uplerlawna sniayanni totpa hota riy id mana edonna nwaror nana tulu-petna yoma wniarorni de enmeh'a namori-nalewna e inon wamueheni onnila e hihi' ini-yapyapni wamueheni.

Roma 10:9,10 La'pa miy nurmi nwayow nana Yesus la rira gaini ralamni pa miwra: "Yesus de Orgahi-Orha'a inhatta," me mpiesiaya la miy ralammi de Uplerlawna ed maka kamori-kalewna Yesus la' matmiati ralamni, de hota mimliernana mormiori plalahwa. Yoma la'a mimpiesiaya la ralammi pede Uplerlawna Nreiniana-na'nana miy pa emeknekama riy maka kora Uplerlawna rkalwieda. Ne la'a nurmi mak kwayow nohora Yesus de Orgahi-Orha'a inhatta pa hota Namori-nalewna miy.



Yohansi 3:16,17 De yoma Uplerlawna sniayanni la'a rimormiori nohkeran di inponni memna, pede Enala Wutmueheni-Laimieheni A' die, totpena ha meni mak kpesiay A' die hota edonna nler la matmiati-molmuolu pa rrinnia la ai mormiori ralamni mere nlernana mormiori plalahwa pa nodi liarni. Yoma Uplerlawna Nalernia A'nani A' die, de edonna muai pia tiorna watghudi la nohkeran di. Mere Amuai die totpena A'umori-ulewna rimormiori.

1 Yohansi 5:11-13 Ne emkadilla maka Uplerlawna Nakot nohora re, de Uplerlawna Nal olek mormiori mak kodi liarni mai ita, ne A'nani ed mak kodia mormiori die.

Riy maka kora Uplerlawna A'nani rla ihru ida-ralm ida, hota rmormiori plalahwa pa nodi liarni. Riy mak edon nora Uplerlawna A'nani ihru ida-ralm ida de edon nler la mormiori die. Agal horat la makpesiay Uplerlawna A'nani miy, de totpena miatga de miy di de mliernan oleka mormiori-dardiari plalahwa pa nodi liarni.



Yohansi 14; 2 Korintus 5;
Yohansi Yamkekni 4, 21, 22

Storyline by: Edward D. Hughes

Illustrated by: Lazarus
and Alastair Paterson

Adapted by: Sarah S.

Luang Bible (lex) © 2014, Wycliffe Bible
Translators, Inc. All rights reserved.

<https://live.bible.is/bible/LEXWBT/GEN/1>

©2025 Bible for Children, Inc.

www.M1914.org

www.bibleforchildren.org

