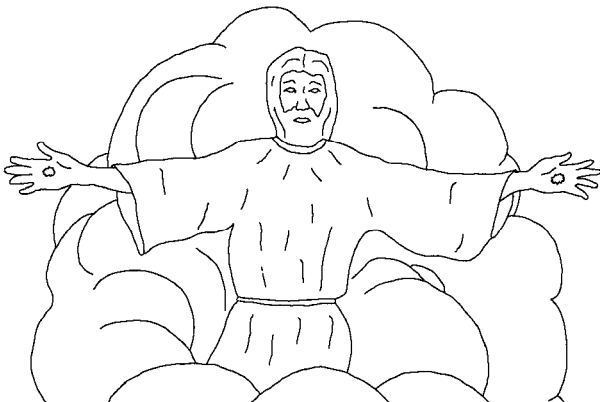


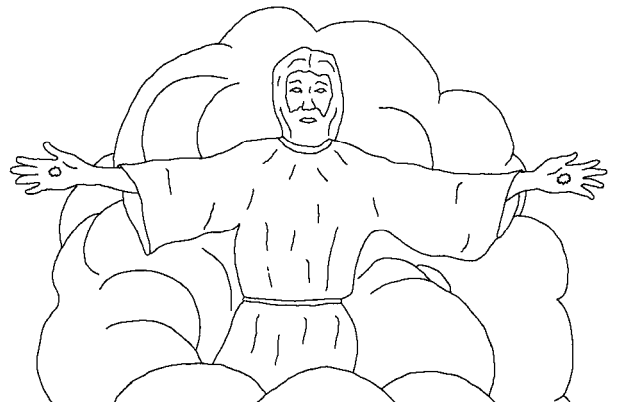
## Yohaana 14



Yesu aaghila beeghesebuwa be ati, “Mitima yaanu eleke kutuntula. Muḥikilije Luhanga kandi muḥikilije nanje dhe. Mu numba ya Tita halimu bisiika bikaniye. Nguli ghataabaagha majima, tanaangubaghambiiye nti ndimaghendayo kubateekaniliya biiikalo.”



“Tj nkaakughenda kandi ninaamala kubateekanilija biiikalo, nkukuuka mbatwale niikuwo hambali nkuba ndi haaliyo naanu mwakala dhe nanje.”



Siye Yohaana muhikiliya wa Yesu muunakyanu kandi oghu ndi omui mu bulemi bwa Luhanga, niibuwo bambona-boniya ngoku naanu

bakwete kubabona-boniya haabwa kuhikiliya Yesu.



Ti mbhonganuuwe kugumisilija kubonabona kwona ngoku naanu mwagumisilije.

3

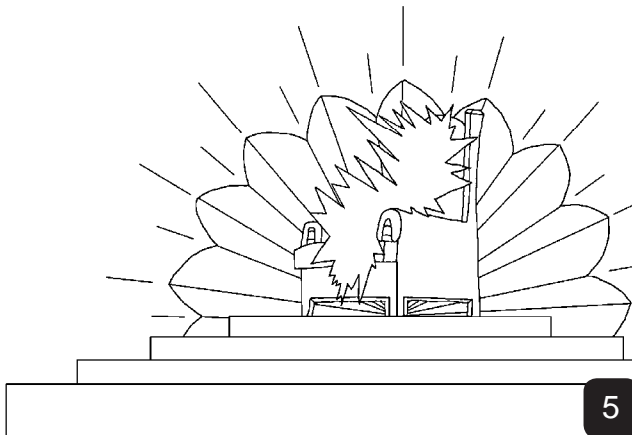
Nkaba ndi mu kiikalo eki maasi gheelighiliye eki bakughilaghamu Patimo, bankwete haabwa kulangilila kighambo kya

Luhanga kandi kuha buukajiso haa Yesu.



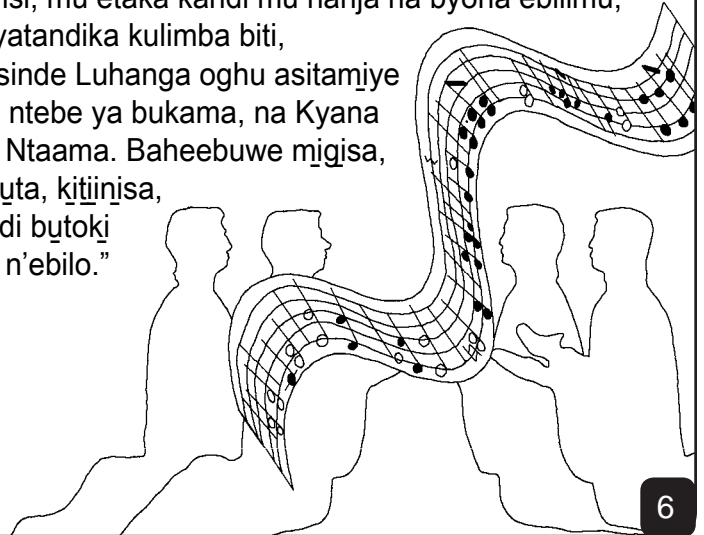
4

Dumbi Mwoyo Ahikiliye anjis'o, naabona mu eghulu ntebe ya bukama, muntu asitamij'o.



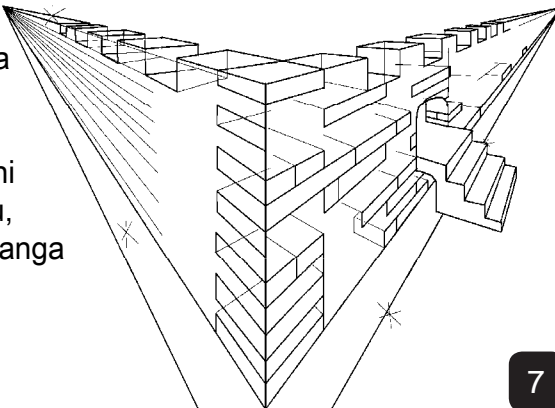
5

Niibuwo naaghuuye bihanguwa byona by'omu eghulu, muni, mu etaka kandi mu nanja na byona ebilimu, mbyatandika kulimba biti, "Tusinde Luhanga oghu asitamije haa ntebe ya bukama, na Kyana kya Ntaama. Baheebuwe migisa, kuhuta, kitiinisa, kandi butokji bilo n'ebilo."



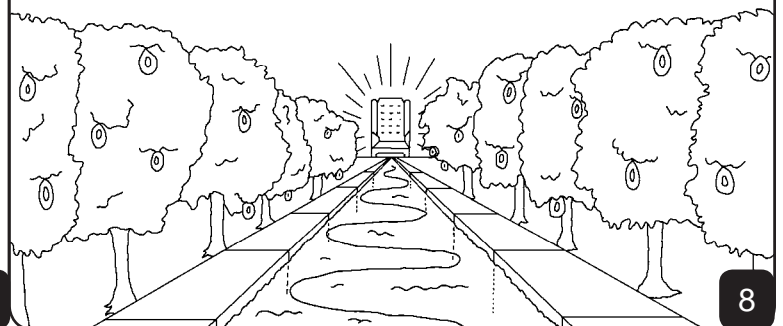
6

Naabona kibugha kihikiliye, Yelusaalemu mpyaka, nkyalugha mu eghulu ewaa Luhanga, kiteekanijibuuye kusemeeye nga mugholi akughenda kusweluwa. Niibuwo naaghuuye elaka lyamaanj ndilugha haa ntebe ya bukama ndighila liti, "Endindi Luhanga ali hamui na bantu be, kandi akuukala nabo. Bakuba bantu be, ti Luhanga eenini akubaakalamu, kandi abe Luhanga wabo."



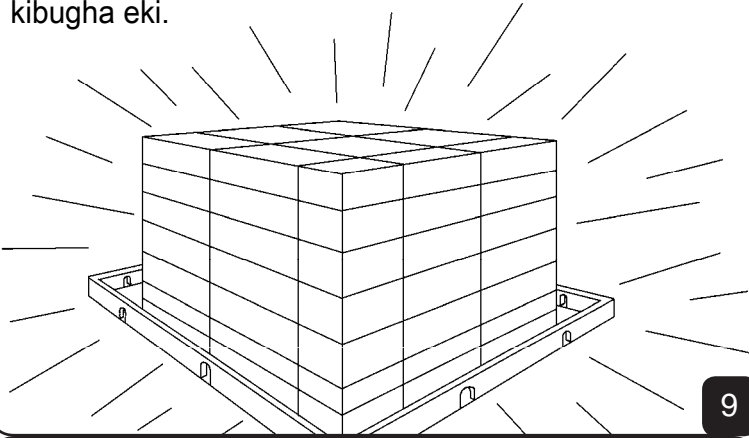
7

Niibuwo malajika oghu anjolekiye kyambu kya maasi ghaa bwomiili, ghakaba gheeliye dhiyo nga gilaasi ebbeneeye kimui, ghaasendagha ngalugha haa ntebe ya bukama ya Luhanga hamui na Kyana kya Ntaama.



8

Kandi kibugha eki takikwetaaghibuwagha musana kedha kweli kukibbeniyamu, nanga kitinisa kya Luhanga niikiyo kyabaagha kyeleeli kya kibugha eki, kandi Kyana kya Ntaama niye akaba ali taala y'omu kibugha eki.



9

Bhaatu kintu kyona kibhiihiye takilitaaha mu kibugha eki, nankabha muntu weena oghu akukolagha ebikukwatiya nsoni, kedha bikoluwa bya bughobiya; bhaatu abalitaahamu ni aba bonkaha aba maliina ghaabo ghahandikuuwe mu kitabo kya bwomiji kya Kyana kya Ntaama.



10

“Alibalaghajiya majigha ghoona mu maaso ghaabo. Tabalitodha kukuwa, nankabha kutuntula, kedha kulila kedha kuba na busaaliji bwona. Nanga bintu bya hambele ebi byona biliba bihooy’o.”



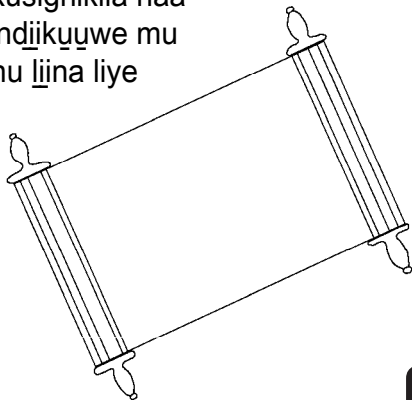
11

Mu kibugha eki taalitodha kubaamu kintu kyona eki Luhanga akijiniye, nanga ntebe ya bukama ya Luhanga kandi ya Kyana kya Ntaama niimuwo elaakalagha, kandi baheeleliya be mbamulamiya. Balibona Luhanga haaliiso, kandi liina liye liliba lihandikuuwe haa bhuyusu syabo.



12

Naabona abaakuuye boona, aba bantu baabaagha bahutiye n'aba batahutiye, beemiliye mu maaso ghaa ntebe ya bukama kandi bitabo byabbuukuluwa. Kitabo kya bwomiji nakiyo baakibbuukula. Abaakuuye baabatwila musango kusighikila haa bikoluwa byabo ebihandikuuwe mu bitabo ebi. Weena oghu liina liye litahandikuuwe mu kitabo kya bwomiji, baamukuba mu nanja ya mulilo.

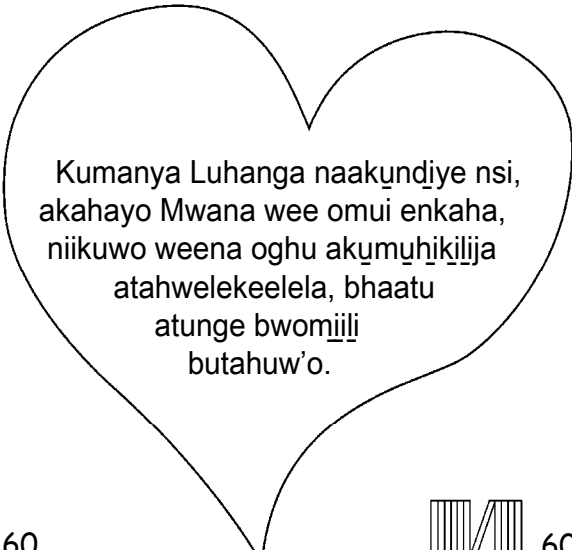


13

Mwoyo na Mugholi bakwete kughila bati, “Wiise!” Kandi weena oghu akuughuwa bini, oleke aghile ati, “Wiise.” Kandi weena oghu eliyo likwete, oleke aase; na weena oghu akubbala, oleke aase anuwe haa maasi ghaa bwomiji agha bataakughulagha.



14



Kumanya Luhanga naakundiye nsi,  
akahayo Mwana wee omui enkaha,  
niikuwo weena oghu akumuhiikilija  
atahwelekelela, bhaatu  
atunge bwomiji  
butahuw'o.

60

60

15

Balooma 3:23

Nanga bantu boona bakasiisa, baalemuwa kuhika haa  
kitinisa kya Luhanga.

Balooma 6:23

Nanga mpeela ya kibhi ni luku, bhaatu kisémba eki  
Luhanga akuheelagha busa, ni bwomiji butahuw'o mu  
Kilisito Yesu Mukama waatu.

Bahebbulaayo 9:27

Ti ngoku muntu ali na kukuwa mulundi ghumui, kandi  
haanuma y'eki Luhanga amutwile musango,

Beefeeso 2:8,9

Enuwe mukahikilija mwajunuwa haabwa ngughuma sya  
Luhanga. Eki tamwakyekoleeye enuwe bonkaha, bhaatu ni  
kisémba kya Luhanga. Taabaaye kiyo haabwa bikoluwa  
byanu, nahabweki atab'o muntu n'omui oghu akwepanka.

16

Balooma 10:9,10

Kaakuba waatula na kanuwa kaawe oti, "Yesu ni Mukama,"  
kandi ohikilija mu mutima ghawwe ngoku Luhanga  
aamuhumbuyeye mu bakuyeye, olijunuwa.

Nanga muntu akaakuhikilijagha aahiye haa mutima,  
akubaluwagha kuba ahikiliye, kandi akaakwatulagha na  
kanuwa ke, akujunuwagha.

Yohaana 3:16,17

Kumanya Luhanga naakundiye nsi, akahayo Mwana wee  
omui enkaha, niikuwo weena oghu akumuhiikilija  
atahwelekelela, bhaatu atunge bwomiji butahuw'o.

Nanga Luhanga taatumiyeye Mwana wee muni kuhitwila  
musango, bhaatu niikuwo nsi egubhe kujunuwa kukwamu  
mu Mwana oghu.

17

1 Yohaana 5:11-13

Ti buukajiso niibuwo buni, Luhanga akatuha bwomiji  
butahuw'o, kandi bwomiji obu buli mu Mwana wee. Weena  
oghu ali na Mwana, ali na bwomiji obu. Bhaatu weena  
oghu atali na Mwana oghu, taali na bwomiji obu. Bintu bini  
naabihandikila enuwe abahikilije liina lya Mwana wa  
Luhanga, niikuwo mumanye ngoku muli na bwomiji  
butahuw'o.

18

Yohaana 14; 2 Bakolinto 5;  
Kusukuluwawa 4, 21, 22

Storyline by: Edward D. Hughes

Illustrated by: Lazarus  
and Alastair Paterson

Adapted by: Sarah S.

Lubwisi, Talinga-Bwisi NT (tlj) © (Active) Wycliffe  
Bible Translators, Inc. All rights reserved.

<https://live.bible.is/bible/TLJWBT/MAT/1>

©2026 Bible for Children, Inc.  
www.M1914.org www.bibleforchildren.org

19