

www.BibleForChildren.org

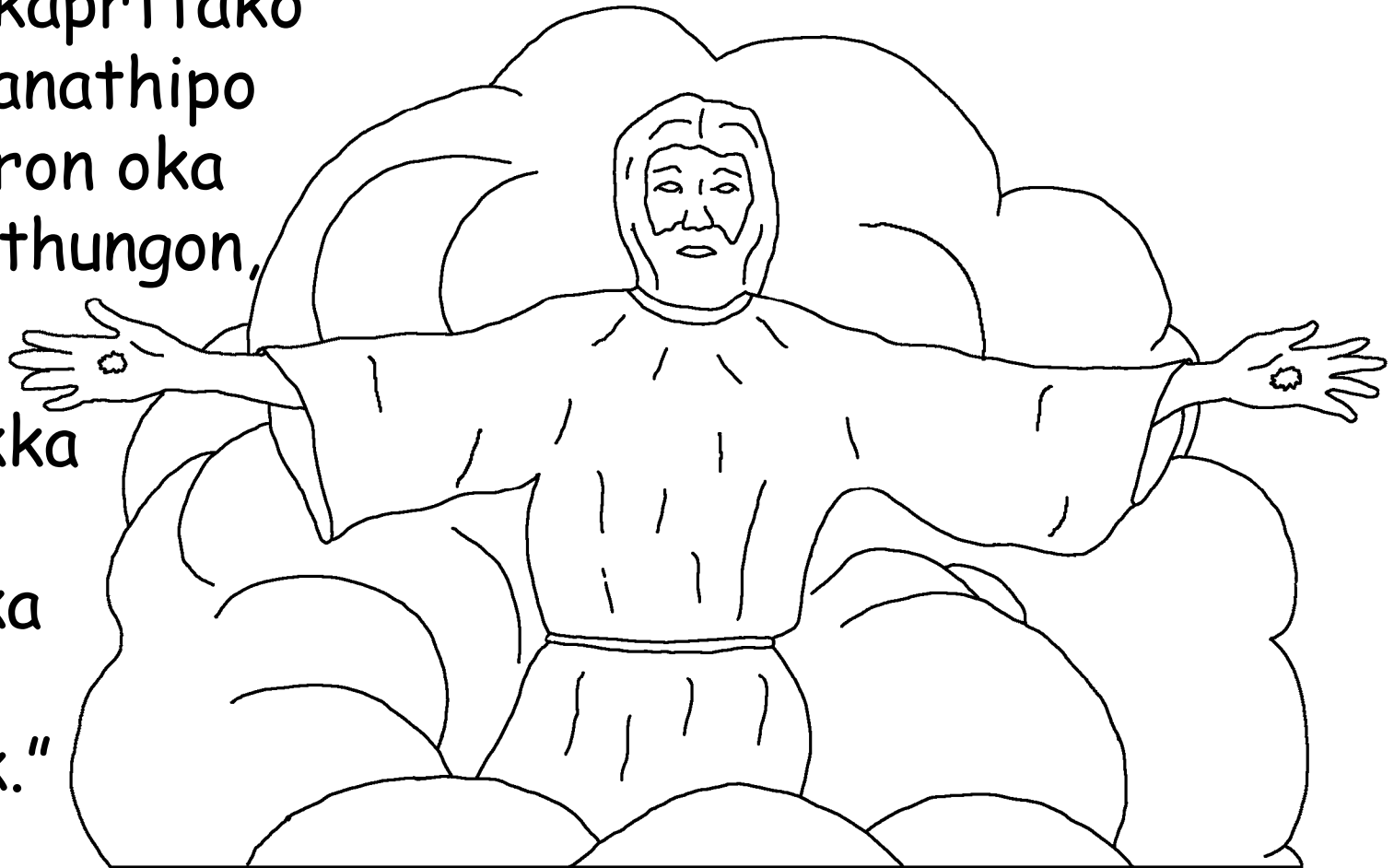


Iuanna 14



"Nokorronno irro mikit nti ikarak. Nonek ket cikit noKapik ana naun acakuruk. Kaman kaik koppot tuan na ongappa, amma okat karra ana mpakorronno i' ret non. Mpaik paeo tentre anothokuccenthet non ka'ran cik. Ana amma mpokuccenthet non ka'ran cik kicce ana mpakkaprttako ntan anathipo non aron oka uraththungon,

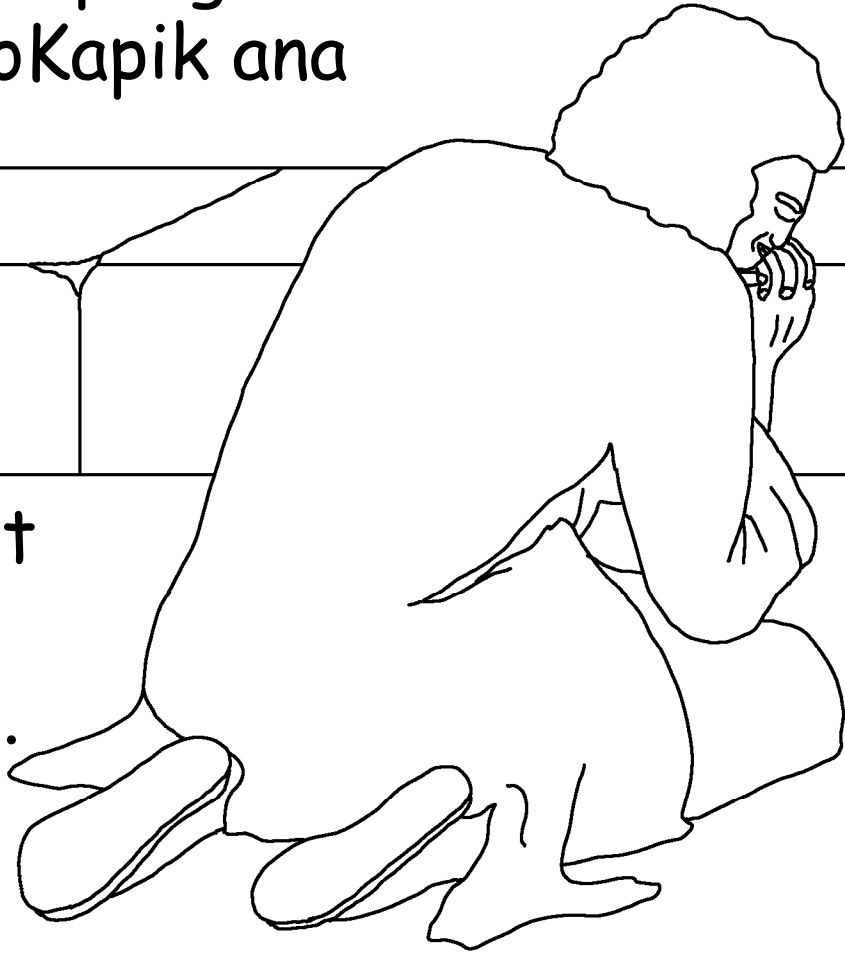
othakka itti annoka na mpaik."



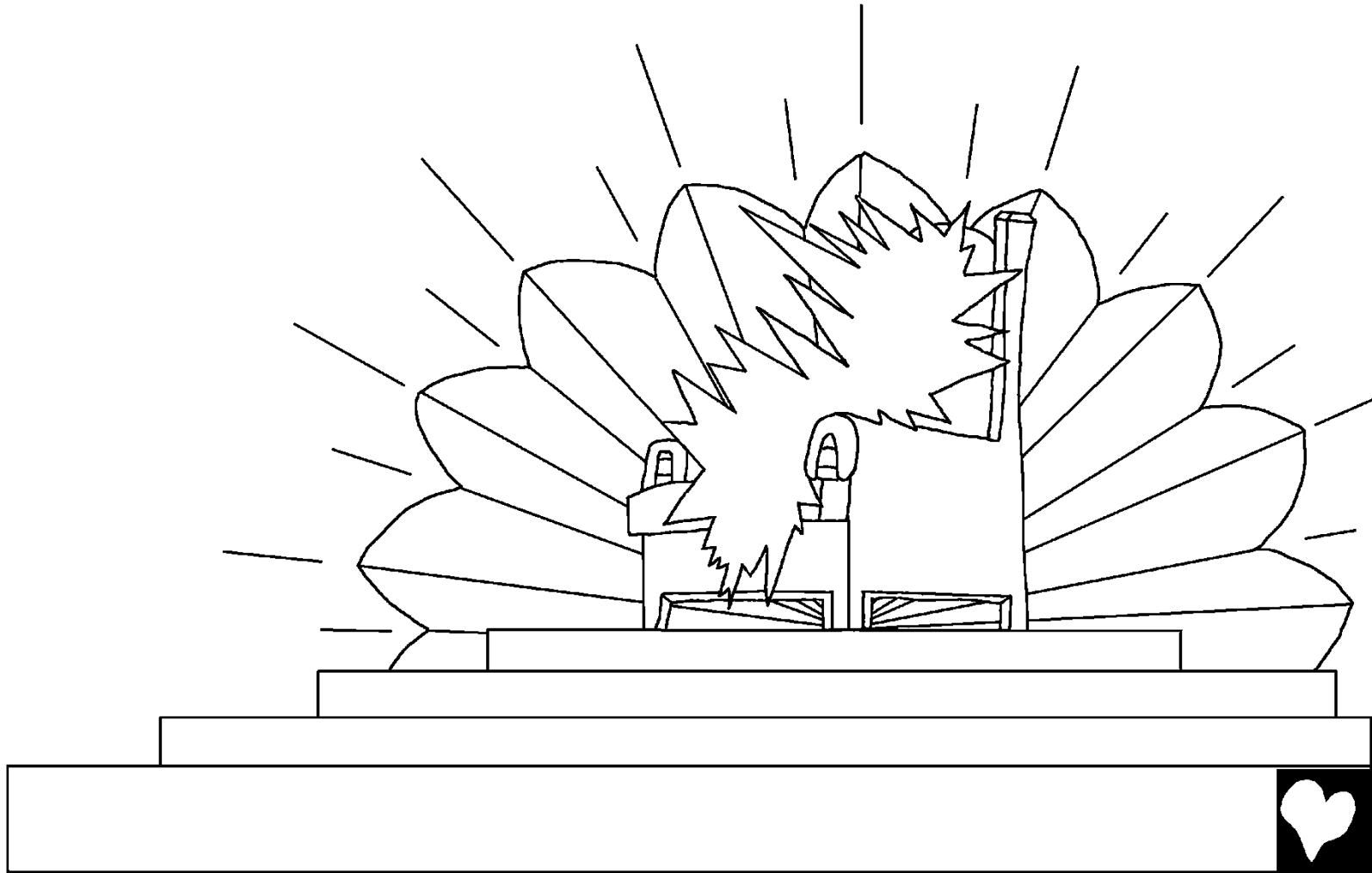
Oun oIuanna opang pon ana oron thulukku
ithocokot thiak ana ingili ana ithocokot cikit
thonnon ilon loIeccuo, mpokat nocarkan

corirok irapangka noka'ran koPaththamoc
nti ilon loKapik ana

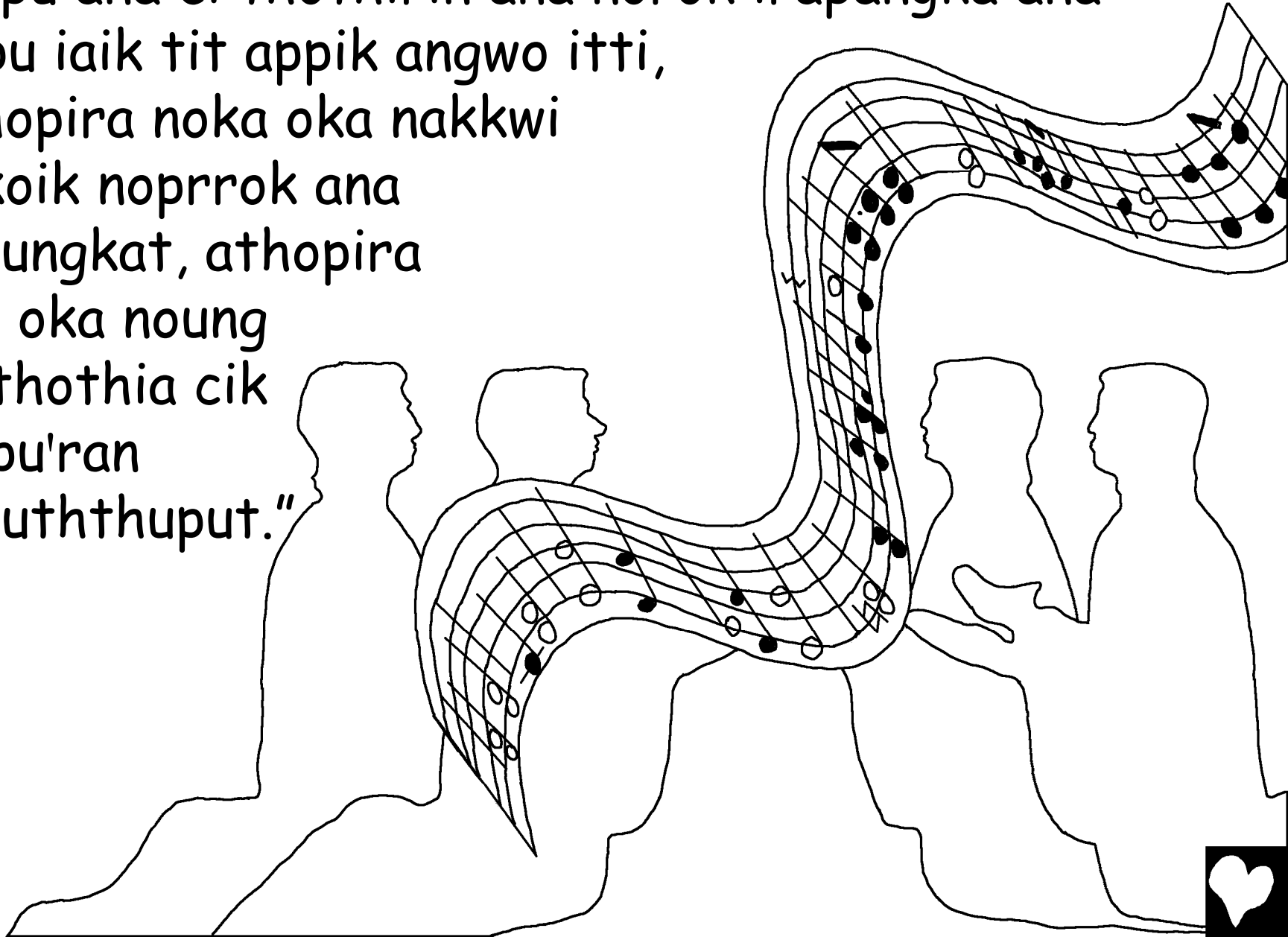
ilimmakot
ngkit
loIeccuo.



Ittina aKanang o'rat naun animmakat prrok tokit kin
tothi'rot apul p'rek paik apikkoik nan.

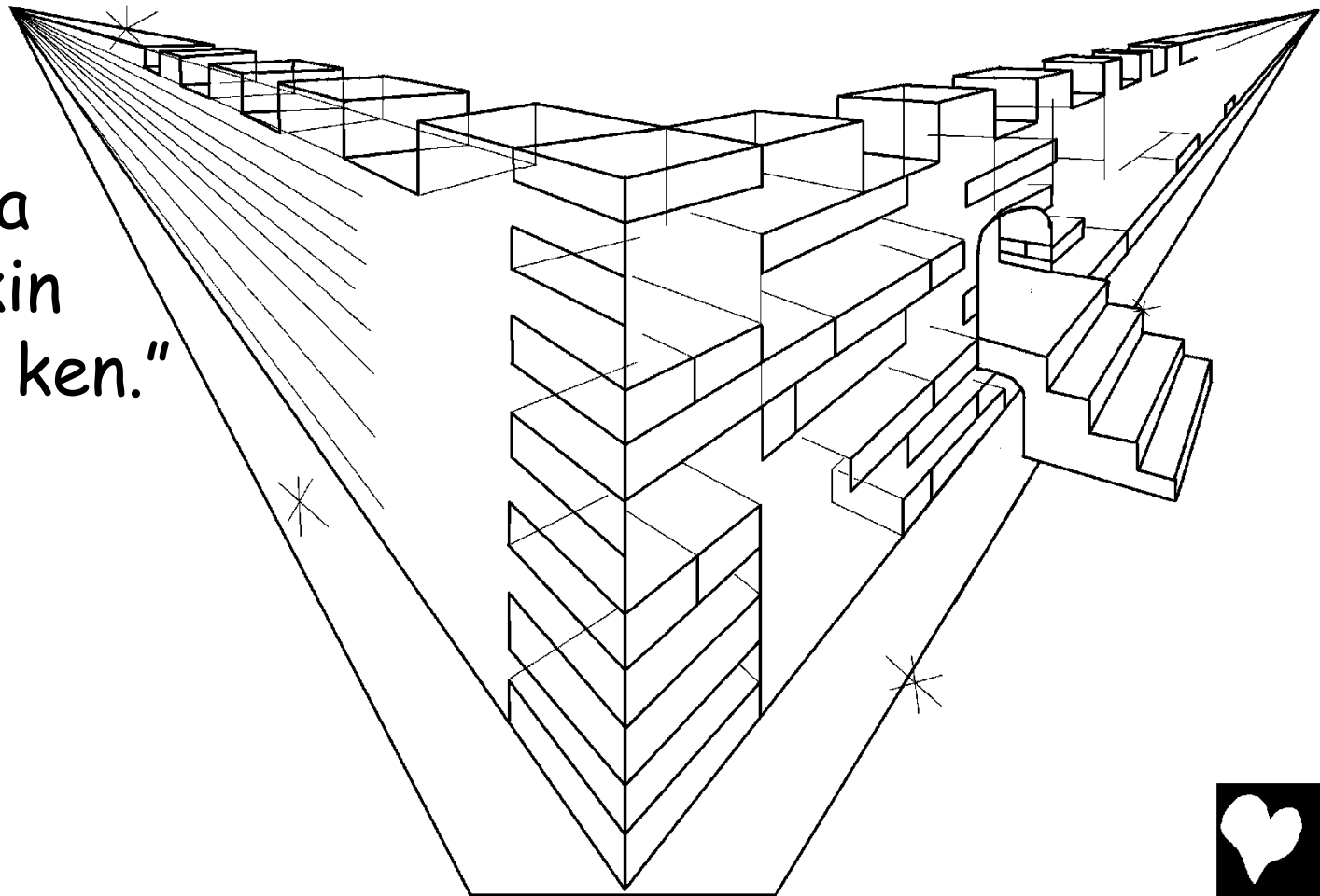


Ana ittina mpocckikathe a'rupu appik iaik ithi'rot ana
nocapu ana ci thothirin ana norok irapangka ana
a'rupu iaik tit appik angwo itti,
"Athopira noka oka nakkwi
ipikkoik noprrok ana
nothungkat, athopira
noka oka nung
ana thothia cik
ana pu'ran
thuputthuput."

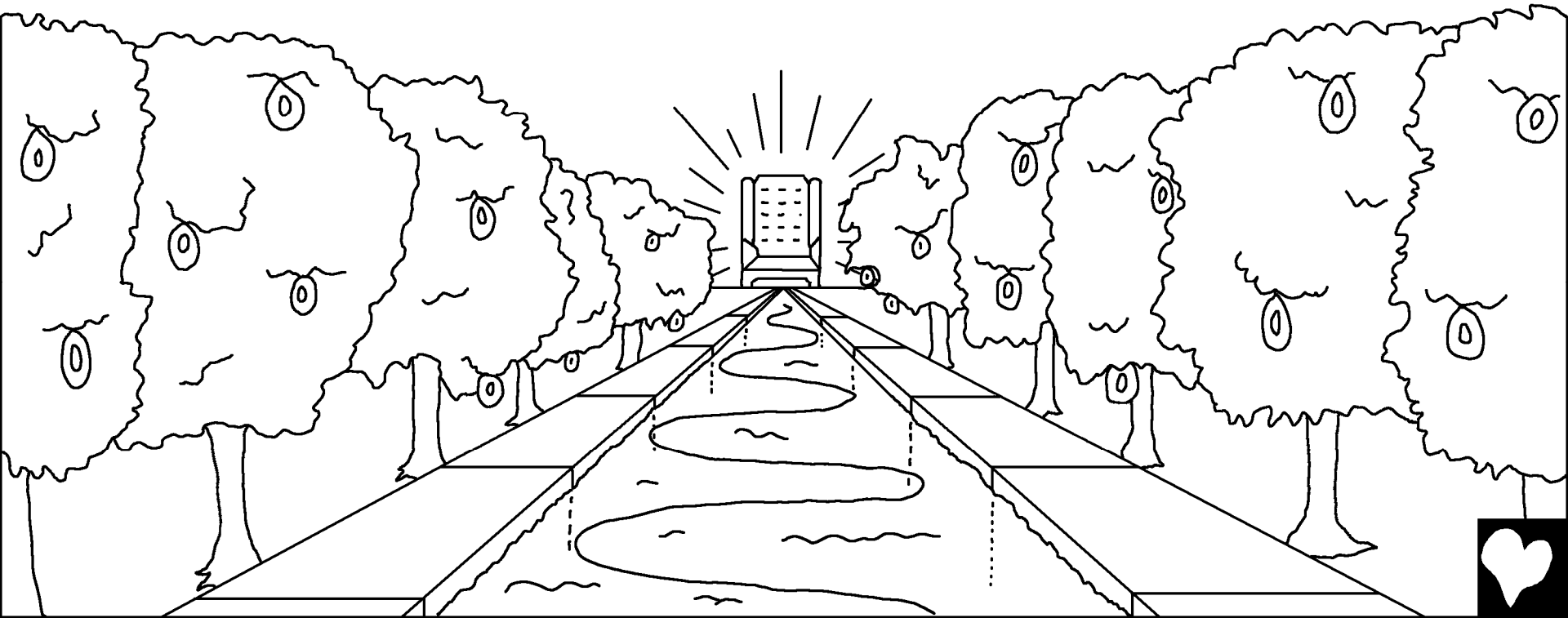


Mpimmakathe pothok ipie ipupupure poUruccelim apuo ntan ntothi'rot noKapik pokuccettatheik ere i're ittat ana worrongkiettanthe olle. Ana mpocckikathe po're cittan noprrrok api're itti, "Nokkwo kunu ncik, man moKapik maik iul wung, kikkoik okin aththungon ana okin

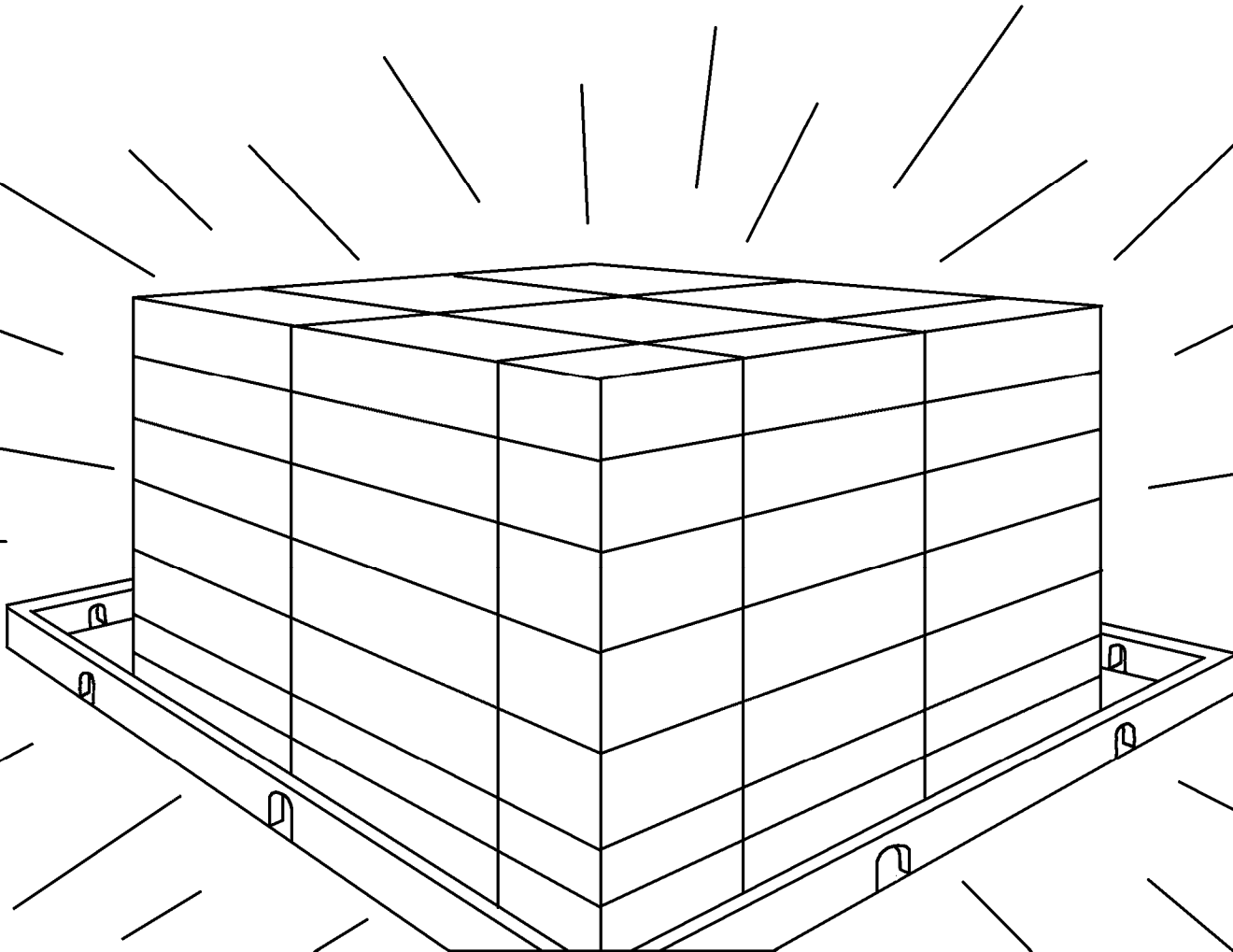
thaka ul wung ana Kapik ngka kung kaka nakin ana oka Kapik ken."



Ittina u'rupa wothothilettat woKapik wokenekathin
tue ironu ng'ri tit ngothikkoik, ngo'rillir ere nga'ra
allo noprrok poKapik ana pothungkat allot nocapu
itho'rkit thokathar ikrik konoka'ran.



Ana ka'ran kakannangkot cingki ana kakannangkot
manna kwanok itti kaccie cik akka thrik thoKapik
thothakkat k'ran ana thungkat thothakkat k'ran
ikaccie cik konoka'ran.



Papella ipakorronno oka
pupupure pi'riko
noka'ran, ana manna
okkwi ipakkot lon
ilokithak ana manna
ammikkot anaruk okin
thuluk itha 'ran wen
wokurrakot iatham
wothikkoik
wothungkat.



"Kukukkot kin ngeme ntoca. Thio
thellaik ana themeru ana thoo ana
thok'rellako thoka, akka a'rupu
iipe wellaik p'rin."

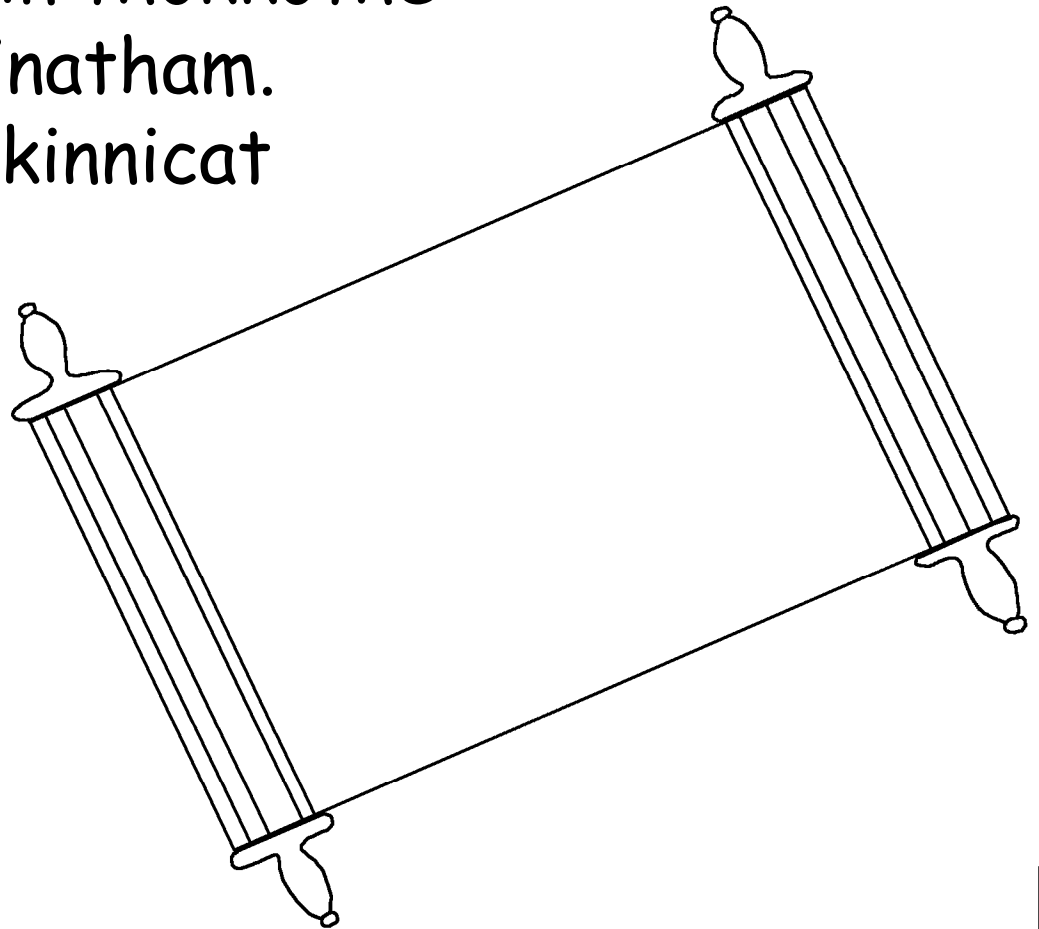


Thattatta thella p'rin. Prrok ipulukku poKapik ana
pothungkat pakaik noka'ran koUruccelim ana ul
iarekinok wa'ranok nga'rama. Okin thimmak toca ana
k'ran kung kakurrako nomuthu men.



Ana mpimmakathe ul iokat willet ittittik ana iarran
aco'ro tokit koprrrok poili ana natham nokat
nanyattatheik. Atham w'rek wokat cik wanyattatheik
ana ien atham wothikkoik. Ul iokat willet wokat cik
akkmakot nolon ila akin thokkothe
ammakka lokurrakot inatham.

Ana okkwi ipak'ran kakinnicat
iatham wothikkoik,
ana kwarrettat
irok tothik.



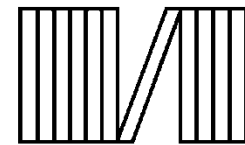
Kanang ana ul wung thi'ret itti, "A'rik." Ana okkwi ipoccikothe elli akwi're itti, "A'rik." Okkwi ipapica okkwot akwanthan, ana okkwi ipongothe itti kwikko noi'ri ngothikkoik nuthuk.



Akka Kapik kongothe ul ncik
nocapu appik mono akekat kin ukul wung
iulukku, othakka itti amma okkwi
okkwi ipoccokothe lon lokkul
wen nocikit akwokorronno
io anaruk akwikkoik
thupuththuput.



60



60



Roma 3:23

Akka oron appik thokkothe lon lokithak ana oron
thokakathe ciththan nothrik thoKapik

Roma 6:23

Akka lon ilokithak lana thio anaruk thethet nuthuk
thoKapik thana thikkoik thothuputthuput iaMiccie
oIeccuo Ili wonnon.

Ipranin 9:27

Ana ammakka pul iponyi ponu itti pio ca'ri culukku
apanto' rikit thakkmako thung

Apuccuc 2:8,9

Akka onon tho' rettathe nti ithoporot nthocokot lon
nocikit. Ana lon len lakannoka nanon, Kapik kethet non
nuthuk, ana okorronno oka ngngre othakka itti akka
apilin manna appipot ka thoura.



Roma 10:9,10

Ana ittina amma oung akki 'ret nthon thang itti "OIeccuo ook Ili," ana occokot lon nocikit itti Kapik kurokierok nti ithio, ngkwa' rettat. Akka ngkwaccokot lon loKapik ncikit cang ana Kapik kothikkierung poporot ana ngkweret lon len nthon thang ana ngkwa' rettat.

Iuanna 3:16,17

Akka Kapik kongothe ul ncik nocapu appik mono akekat kin ukul wung iulukku, othakka itti amma okkwi ipoccokothe lon lokkul wen nocikit akwokorronno io anaruk akwikkoik thupuththuput. Akka Kapik kakannothiot ukul wung nocapu ncik appik othakka itti athakkma ul nocapu anaruk itti atho' ret kin.



1 Iuanna 5:11-13

Ana lon elli ila Kapik keret laik itti, Kapik kethet ton thikkoik thothupuththuput, ana thikkoik enthi thaik ikkul wung. Okkwi ipoccokothe lon lokkul woKapik nocikit kwonu thikkoik thothupuththuput ana okkwi ipakannocokot lon lokkul woKapik nocikit kwella thikkoik thothupuththuput. Mpaik pakurrinenon lon elli onon ithoccokothe lon nomikit lok'ran kokkul woKapik othakka itti annina itti onon thonu thikkoik thothupuththuput.



Iuanna 14; 2 Kurunthuc 5; Thitto 4, 21, 22

Storyline by: Edward D. Hughes

Illustrated by: Lazarus
and Alastair Paterson

Adapted by: Sarah S.

Lumun NT (Imd) © (Active), Wycliffe Bible
Translators, Inc. All rights reserved

<https://www.bible.com/en-GB/bible/2493/MAT.1.LUMUN>

©2025 Bible for Children, Inc.

www.M1914.org

www.bibleforchildren.org

