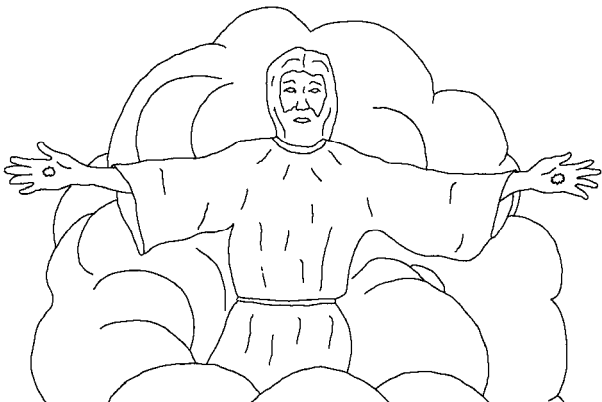


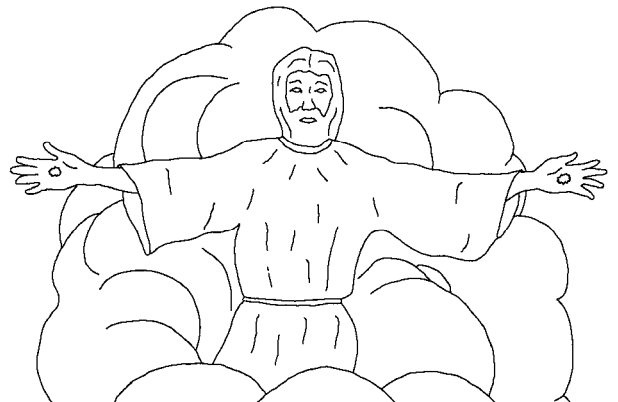
Yohanes 14



Tna Yesus yawe kuber wAit yawe, "Waa ma. Sraujin ma. Smot Allah oh! Nsam wai k'Ait. Tna smot Jõ. Nsam wai k'Jõ ye. Mam samu ro Taja yhau to yuk ro meen anu nhau to mawat. Jõ tamo't samu ro Taja re kbe siwyan yuk aro k'anu kbe nma nhau."



"Soh samu reto marak to, Jõ tkyas k'anu fetu fee. Tamo siwyan yuk ro anu kbe nhau to, tna hah tama tmen anu bmo. Tmen anu re kbe anu nhau nsya Jõ su mam beto."



Jõ, Yohanes smot Yesus mnan fi anu, raa ro jemaat trion krema to ye. Anu smot Yesus tibyo ja raa mno bo ro mkair mai k'anu.

Anu smot Yesus tibyo anu bito bsom bo reto ye.



3

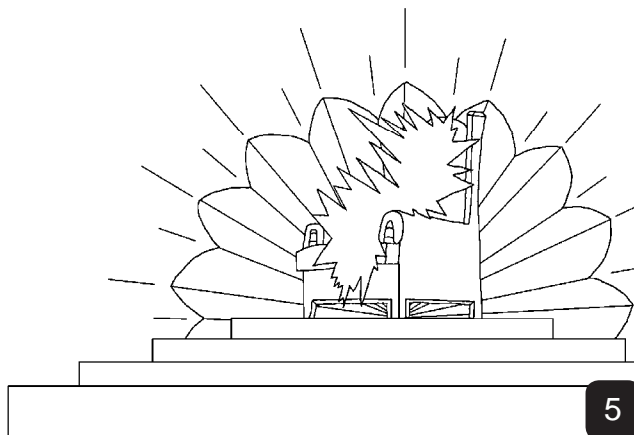
Anu smot Yesus tibyo anu bmo raa mana ro Allah yamo Raja ybo. Tiwya jõ tkyas watum ro Allah tna tkyas Yesus yasom tibyo raa mfof

jõ mbeak mam sato ro Patmos refo.



4

Mam weto si oh to, Har rAit mbo jõ matak. Tibyo jõ smi tmat bo. Tna mam sawro ro Allah reto to, tmat Raa sait hre abyõ mam ambar (tahta) sau.

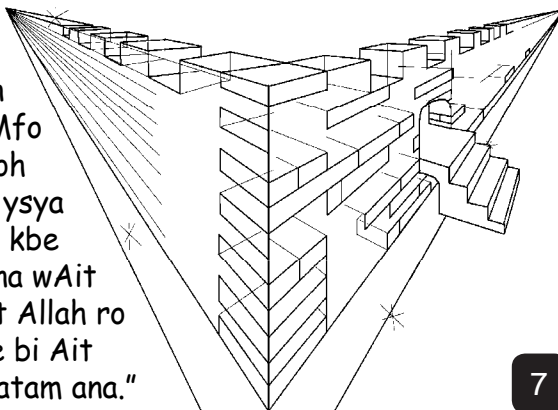


5

Tna jõ tari bobaut. Bombra ro mhau mam sawro mam uu ye, mam tabam reto ye, mam tabam ti te ye, tna mam aya sawan to, weto beta mbaut bobaut k'Bi Ait ro hre abyõ mam ambar (tahta) rAit ysya Domba Maku reto. Ana mawe, "Anu mbewok ntak toni. Amu bibi anu mbewok tna hawyõn anu mbewok, tna hartu anu mbewok ye mamno snok hame wajin."

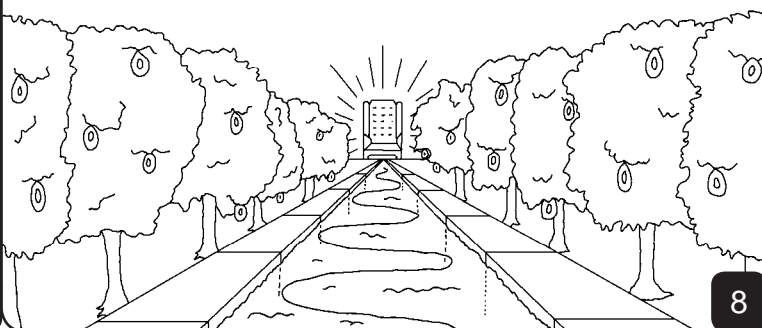
6

Tna jõ tmat kota Yerusalem ro tna. Kota reto to kota ro Allah rAit. Tna jõ tmat kota reto mroh mbam sawro ro Allah rAit mama. Allah siwyan kota reto to moof toni; mnan fi fnya fain ro ja fayir ana moof wer re mamno maryõt mere rau retait. Tna jõ tari mai ro mase sau mbam ambar (tahta) Tuhan rAit mawe, "Mfo refo Allah yroh yama yhau su ysya raa. Raa weto kbe mamno raa mana wAit tna bi Ait tait Allah ro ana smot. Kbe bi Ait yesait yhau yatam ana."



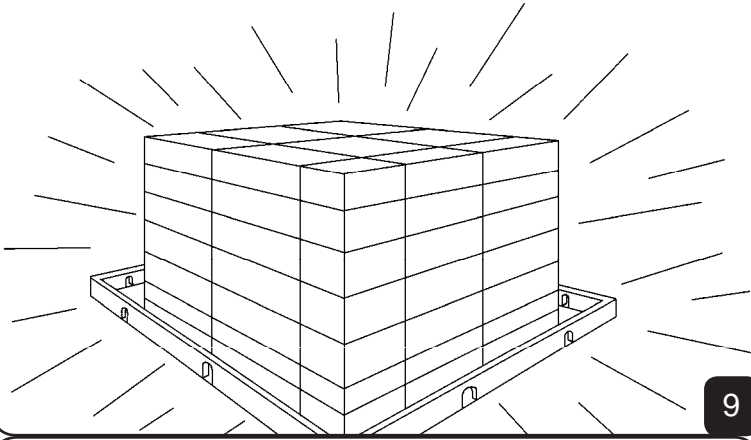
7

Tna malaikat reto merif aya sau k'jõ. Aya refo miyi frok mbam ambar (tahta) ro Allah ysya Domba Maku hre. Aya refo ro ntwar toni mnan fi kaca tna mno re raa mhau hame wajin.



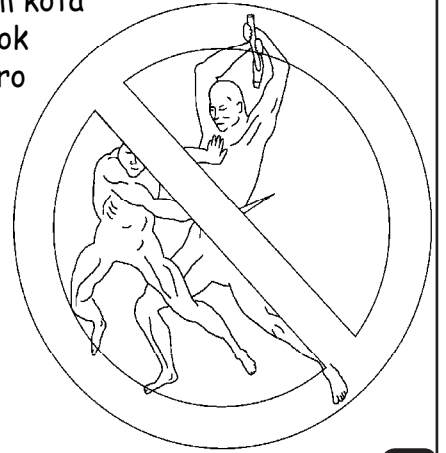
8

Ait yase rAit mfi kek ro mawyah mam kota reto. Tna Domba Maku kren toni skah kota reto tibyo snyi msya ayõ ro mafit aro fee ye.



9

Bombra ro mkair aro to, raa moo makah mam mose fee saut. Tna raa ro mno bo mkair msya raa ro sioh to, kbe mam twok mam kota reto fee ye. Ro kbe twok mam kota reto to, raa ro kbe mhau hame wajin. Ana weto mesait sai. Raa weto masom wana raa mkom mam aam sau oh. Aam refo masom "Raa ro Kbe Mhau Hame Wajin." Aam refo fo aam ro Domba Maku rau.



10

"Kbe Ait yno re ana aro srau jin u fee. Ait kbe karu ana yukan wana. Wore weto to, raa wAit aro mhai u fee. Tna raa wAit aro mhar bo srau jin u fee. Ana aro mhar bo mawia u fee. Tna ana aro mhar bo kiyam u fee ye. Bombra weto to bose oh, marak beta."



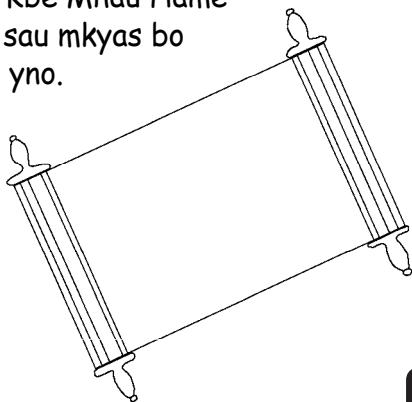
11

Tna bo ro misti kair aro mhau mam kota reto fee. Allah ysa Domba Maku mbewok ja mhau mam kota reto ye. Ana hre abyõ mam ambar (tahta) wana tna mbo raa wAna. Tna sryan ro wAit ro ja mno bo rAit to, meen mhau mam beto tna mbaut Ait ye. Kbe ana mmat bi Ait yasu. Tna yasom rAit raa mkom k'ana makit sor.



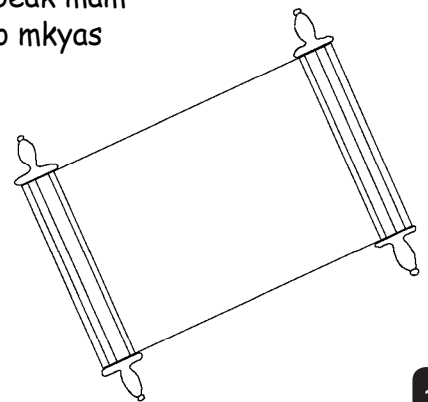
12

Tna jõ tmat raa ro tiwya mhai oh; ro mabi msya kinyah ye. Ana masen mros mam ati ro bi Ait yasu ro hre abyõ mam ambar (tahta) rAit reto. Tna raa betrat aam ro mhau mam beto sor. Aam weto sau fo masom rau 'Raa ro Kbe Mhau Hame Wajin'. Tna aam roto sau mkyas bo ro raa sait-sait tiwya yno.



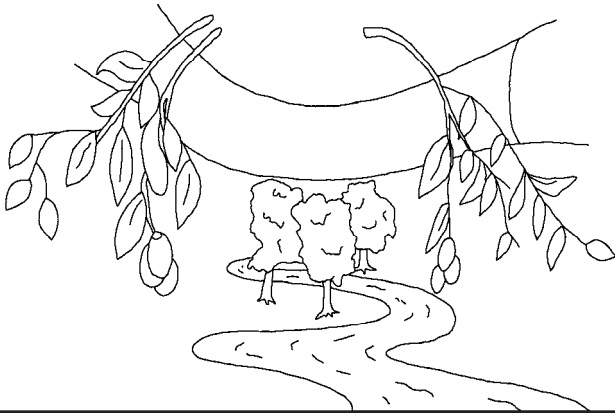
13

Allah ymat aam weto tna ytu safo yse k'raa ro mros weto mam yot si bo ro ana weto aro sait-sait tiwya yno. Tna awya ro yasom rait raa mkom mam aam 'Raa ro Kbe Mhau Hame Wajin' reto to fee, kbe ait retait raa mbeak mam tafoh reto. Aam reto mkyas raa masom wana ro kbe mhau mroon.



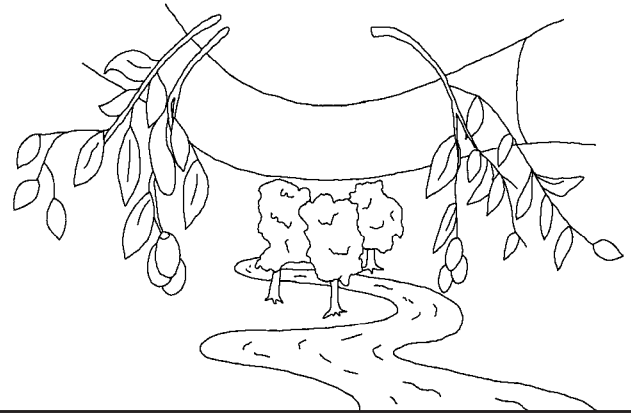
14

Tna Har ro Tuhan msya fai ro Yesus ymen to, mbewok mawe k'Yesus mawe: "Nama oh!" Tna awya ro yari watum refo to yawe: "Esre, nama oh!" Awya ro yhai sbit to yama sai.



15

Tna awya sai ro ksoh yama yoo aya ro moof baro yata to, yama ye. Kbe yoo mkah pitis aro fee. Yoo sai. Aya refo mno re raa mhau hame wajin.



16

Allah yatmof raa ro tabam refo toni. Tibyo yasen ysan Ku rAit sait tomu yama't tabam refo. Yno afo re awya sai ro smot tna msam wai k'Ait kbe mhau hame wajin. Kbe yhai fee.

60



60

17

Roma 3:23

Raa beta to mno iro. Menohe Allah tait Raa ro yase. Ait yno bo ro moof toni. Bo moof beta ro anu raa bno to moof mnan Ait fee. Mabut fares sai.

Roma 6:23

Soh raa mno iro to, Allah yawe boren ro yaren ana weto to: Ana mhai tibyo. Menohe Allah yatmof anu: Ait yuumto roon ro hame k'raa ro smot Kristus Yesus, Tuhan ranu.

Ibrani 9:27

Anu raa ro bhau mam tabam refo to, ja bhai mun sau aran sai. Bhai tna kbe meen Tuhan yoo safo mana ymit k'anu.

18

Efesus 2:8,9

Jõ tawe u tawe, anu smot Kristus tibyo Allah yatmof anu yoo riof yee k'anu. Bo weto to, anu nesait nno fee. Bo weto to, tiwya Allah yuumto k'anu sai. Anu raa besait bkah bo re bisoh biranya bsya Allah meto fee. Ait yatmof raa sai. Ait yesait yno feto re kbe raa safuk ana fee.

Roma 10:9,10

Au oh mi awya sai ro hrenaut fee, menohe ykyas abyõ k'raa yawe, "Yesus tait yamo Tuhan ro ybo jõ." Tna soh ait yhar mam yhaf mato yawe, Yesus yajat tna Allah yno Ait yrok yasen; kbe meen ait retait ykai riof. Jõ tkyas u tawe soh raa sait ksoh yawe Allah ymat ait yfi raa ro mhaf moof to, kbe ait yno bo bawya? Soh ait smot Yesus mam yhaf mato rait to, kbe Allah yawe ait yfi raa ro mhaf moof. Tna soh ykyas abyõ yawe, "Yesus yamo Tuhan ro ybo jõ." ykyas mam wore raa mros mmat to, kbe meen ait ykai riof.

19

Yohanes 3:16,17

Allah yatmof raa ro tabam refo toni. Tibyo yasen ysan Ku rAit sait tomu yama't tabam refo. Yno afo re awya sai ro smot tna msam wai k'Ait kbe mhau hame wajin. Kbe yhai fee. Allah ybis Ku rAit yroh yama re yoo safo mana ymit k'raa ro tabam refo fee. Menohe Ku rAit yama afo re yno riof k'raa.

1 Yohanes 5:11-13

Bokyas ro ati oh mefo: Allah ysan roon ro hame k'anu oh. Tna Ku rAit oh mi yama yno re anu bhau hame to. Fetu to awya ro smot Ku rAit to, kbe ait retait ykai roon reto. Tna awya ro hawe smot Ku rAit to, kbe yha hame fee. Jõ tkom bo wefo beta tiim k'anu ro smot Ku ro Allah rAit afo re anu nhar nwe meen anu nhau hame wajin.

20

Yohanes 14; 2 Korintus 5; Wahyu 4, 21, 22

Storyline by: Edward D. Hughes

Illustrated by: Lazarus,
and Alastair Paterson

Adapted by: Sarah S.

Mai Brat NT (ayz) © 2005 Wycliffe Bible
Translators, Inc. in cooperation with
Yayasan Sumber Sejahtera, 2005

<https://www.bible.com/en-GB/bible/2398/MAT.1>

©2026 Bible for Children, Inc.
www.M1914.org www.bibleforchildren.org