

www.BibleForChildren.org



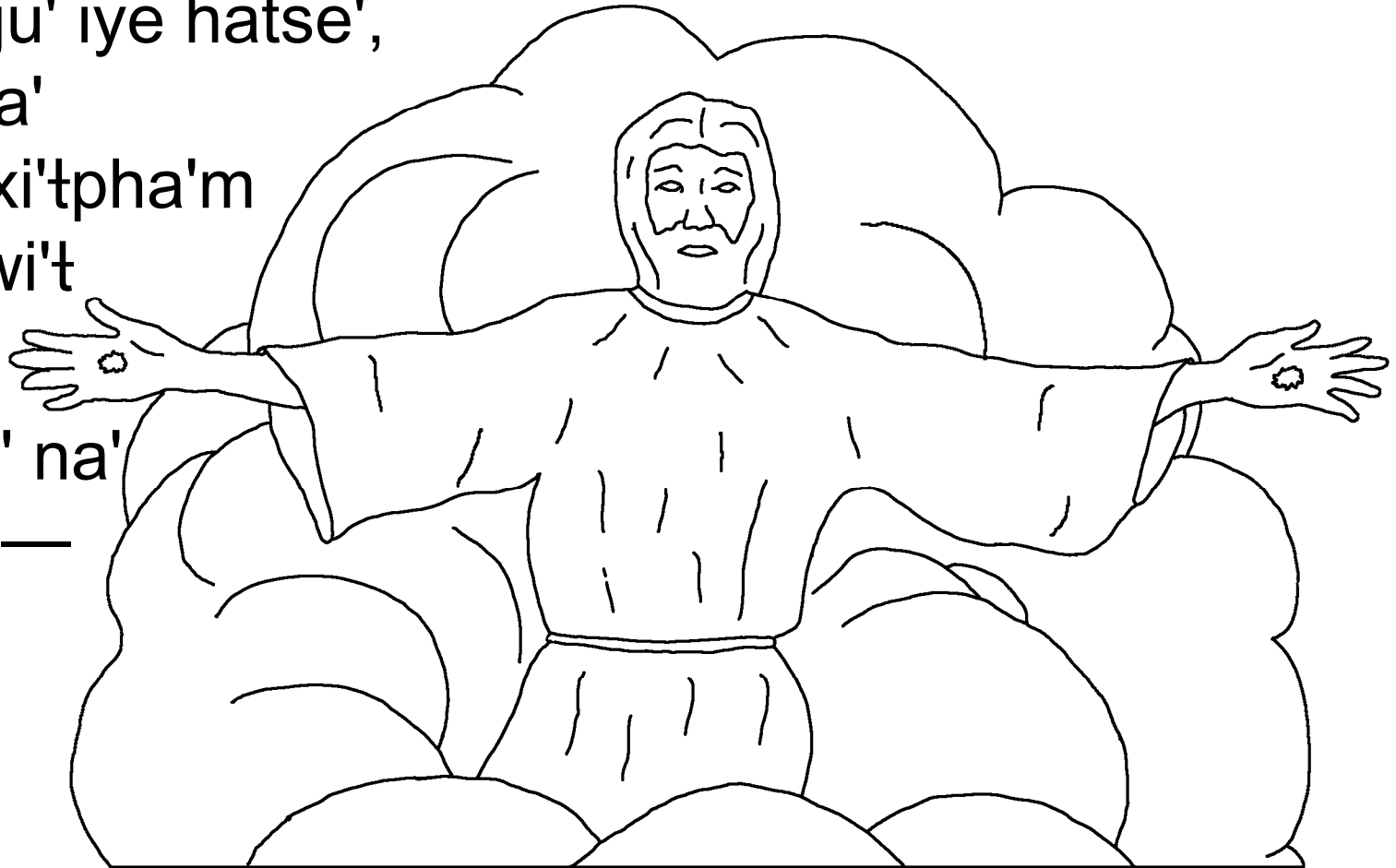
Juan 14



—Hasu'uj itawje'metetsi'it. Hasu'uj eqeku'ut na' Dios,
qa hasu'uj esqeku'ut iye. Ne' tetsi' na' Tata olots ne'
tatawjets. Qek nite' yijaayi'ija aka'an qekha nite'
hit'etaxi'tij ewets. Qa' hathayinpha'm hatse' qa' haji'let
pa'qu' etset'i'it. Qu' haktax qa' haji'let pa'qu' etset'i'it, qa'
hetpilju' iye hatse',

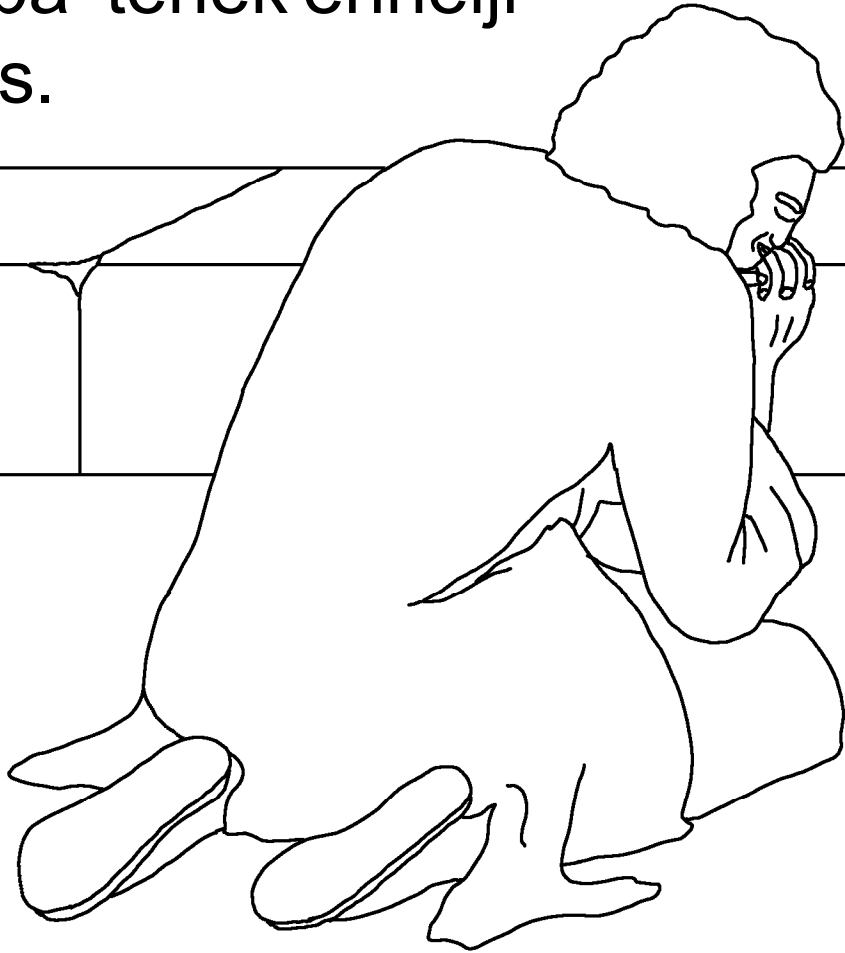
ma' qa'
k'ekaxi'tpha'm
qa' ewi't

jina'ni' na'
ha'ni'.—



Yakha' Juan, ejefe'etipji' pa' Intata qa ewi't
ju'uniji' iye pakha' jitaats'e'ej qa nite'
ji'taqsunijup iye qe inekhewel ju'un

ji'teje'm pa' tenek'enheiji'
ha' Jesús.

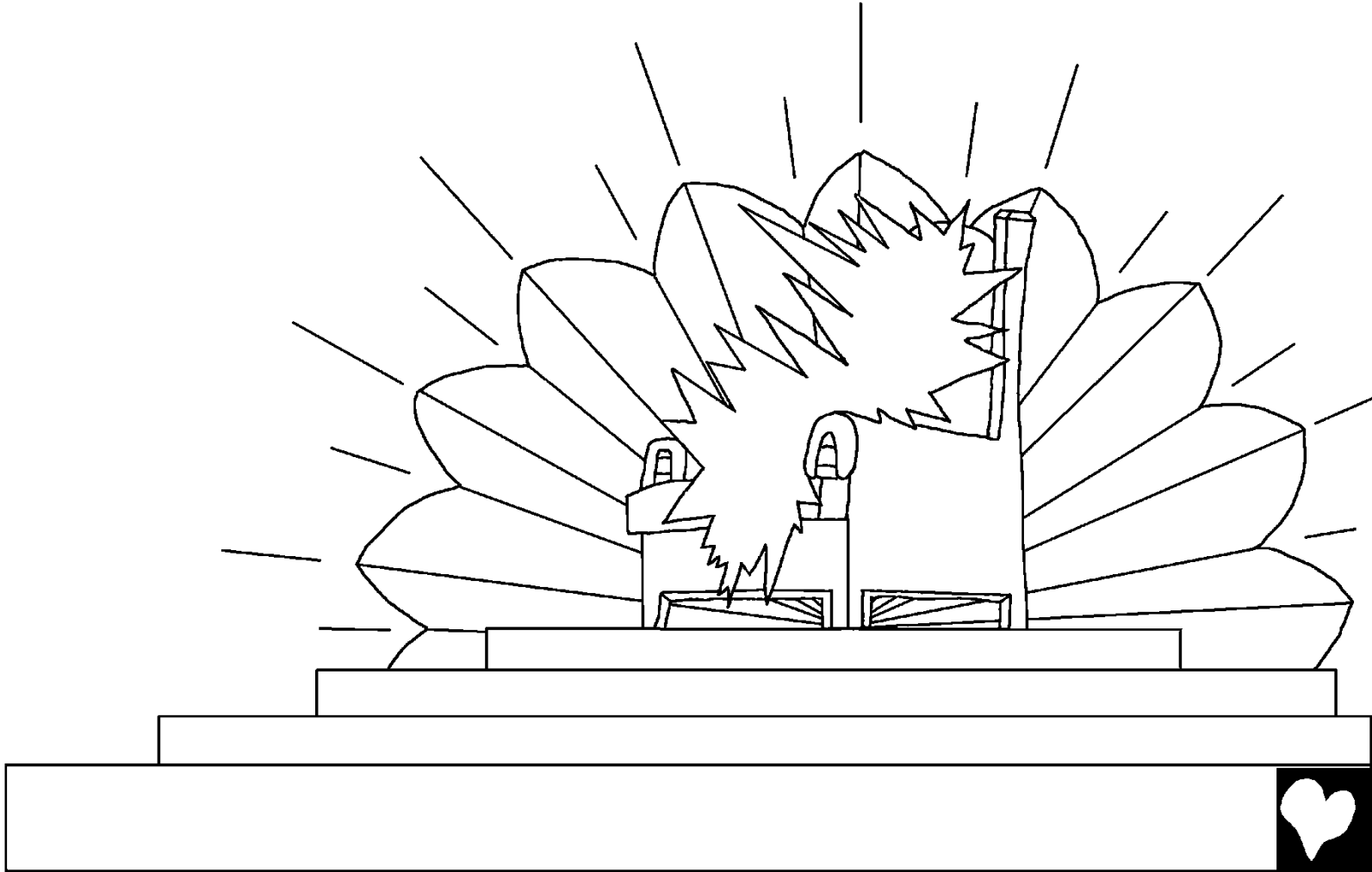


Yakha' ha'ni'kii ha'ne witq'opheti'we't teqewuk'uji'
ha'ne iweli' t'ista'wet tii Patmos, qe ta'tets in
henfel ke' Intata te'lijei qa in henfel iye

kekheve' iyetij ha'
Jesucristo.



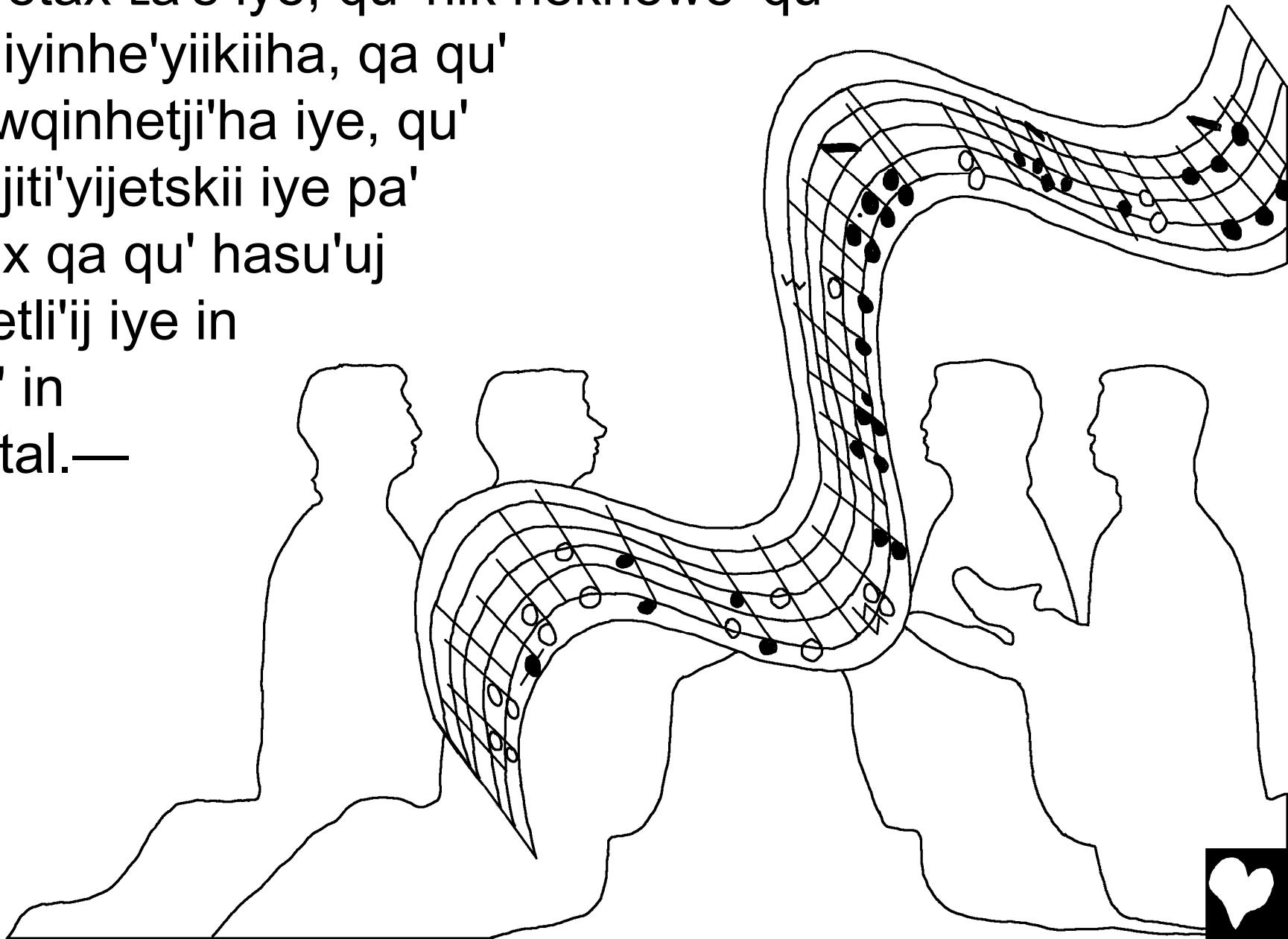
Ma' qa hik aka'aj pa' Espíritu Santo in ta'tets, qa hi'wen
ha' ewi't witts'oji'la'x i'ni' na' wa'sji', qa na'l ha' i'nipji'
hakha' witts'oji'la'x.



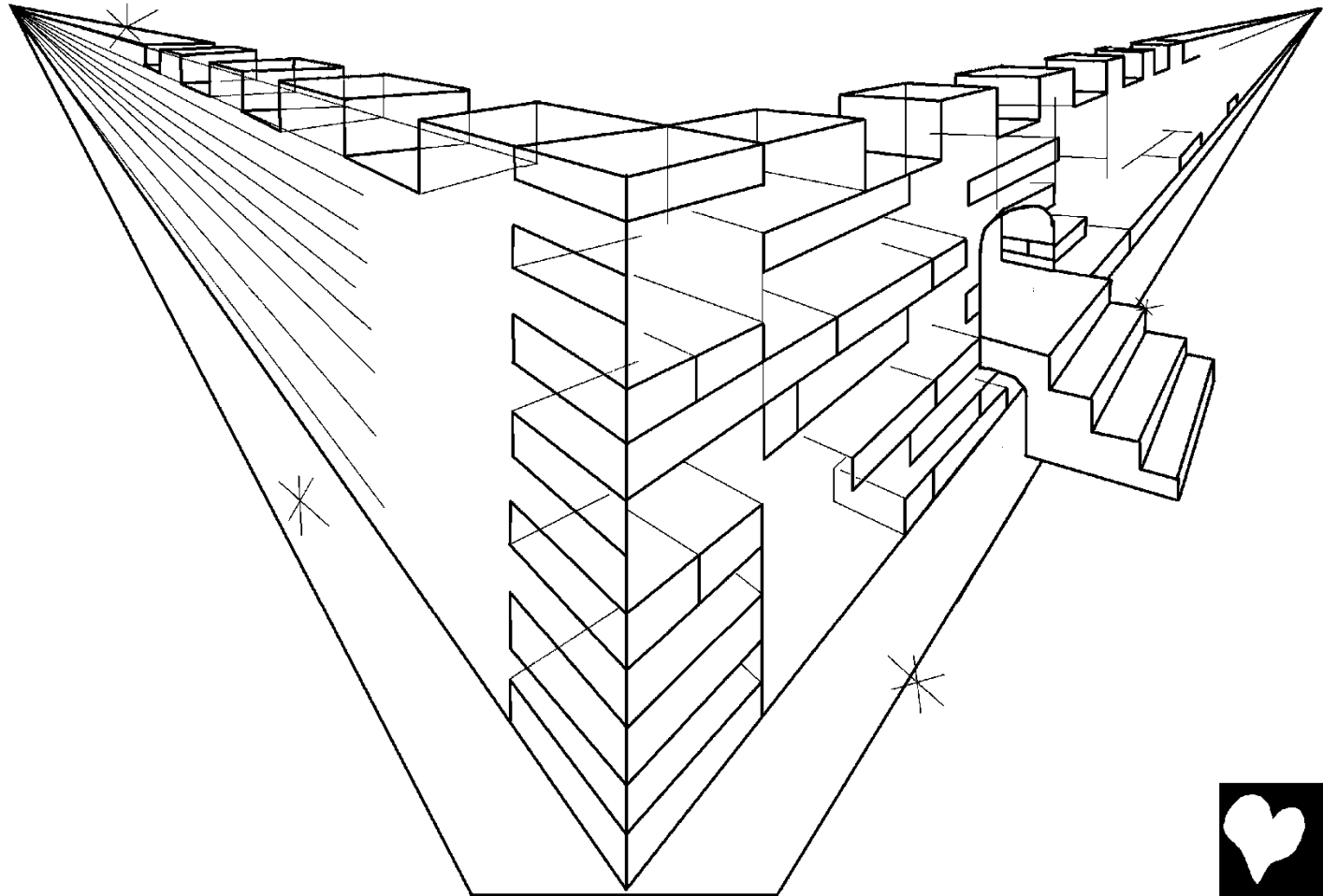
Ma' qa week pekhewe' wekwek
witaqsijiju' na' wa'sji', qa ha'ne
sehe' epji', qa pa' te'weiju' ha'ne
sehe', qa na' qi iweli'ji' iye, week
pekhewe' wekwek i'nji'
enewe'en, qa hepi'ye'
in yit'ijju':



—Nakha' i'nipji' na' witts'oji'la'x qa na'
Kots'etax ɫa's iye, qu' hik nekhewe' qu'
ne'tniyinhe'yiikiiha, qa qu'
neniwqinhetji'ha iye, qu'
netitijiti'yijetskii iye pa'
tesa'x qa qu' hasu'uj
newetli'ij iye in
qitsji' in
wittatal.—



Qa hi'wen iye ha' qi te'wis witset, ham ut'axi'i, Ink'ayik
Jerusalén, in ta'tetspha'm ha' wa's, te'nilitju' nukinju' pa'
Dios. Qii'ija in te'wis, hats week yijat'etsju' hik tunye'j
ne'ej ewi't efu in hats yamets tahats'ij tewhe'yejii qa
wanaqsiiijja.



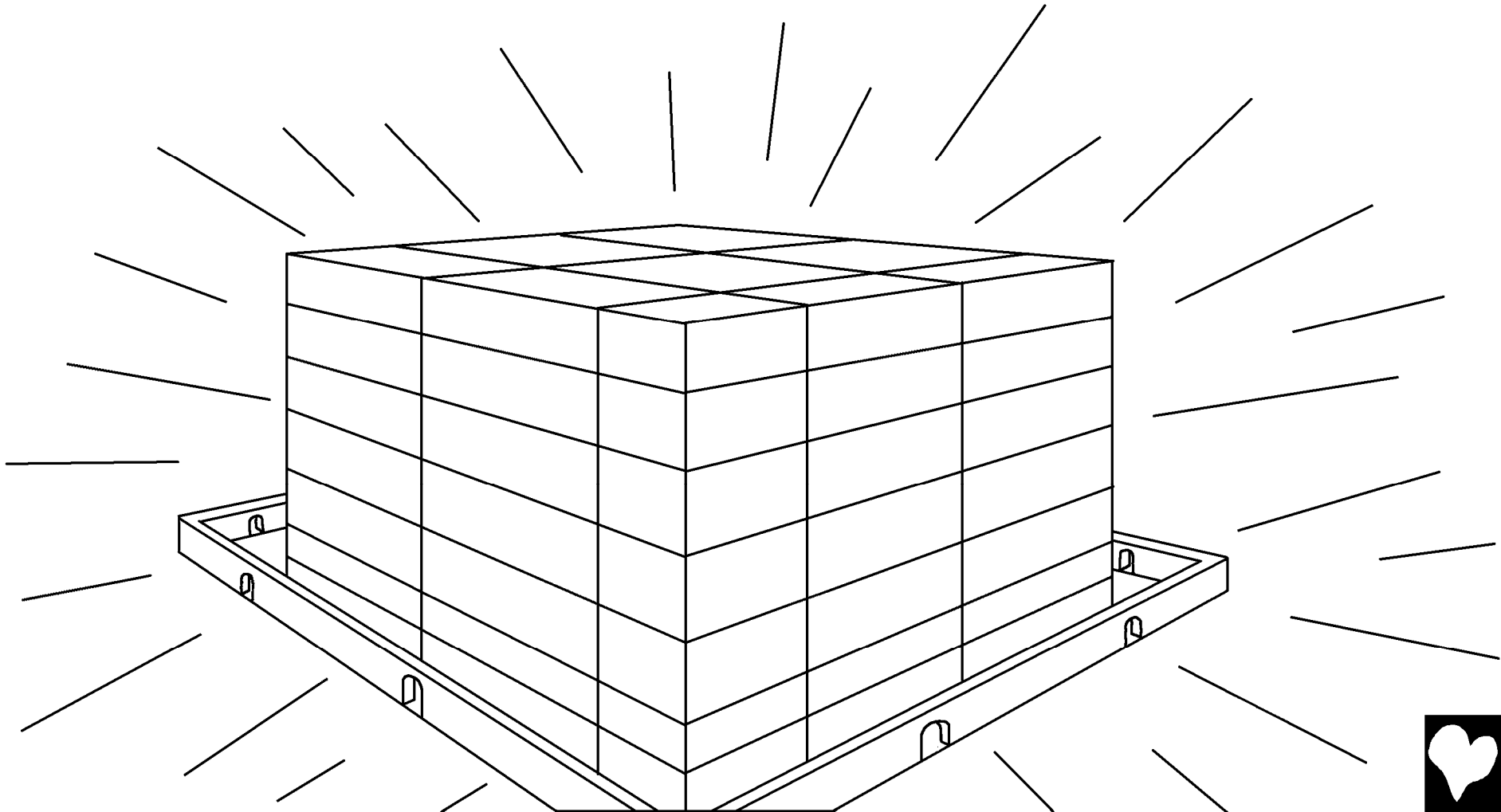
Qa hepi'ye' pa' ewi't t'unik'i wit'ax ta'tets ha' witts'oji'la'x,
qa yit'ij: —Jet qeku'nek, hane'ej na' i'ni' na' Dios hats
i'nji'teje'm ne' jukhew qa efuts iye, qa nakha'an hats
i'nji'ju'ha nekhewe'en qa takha' qu' tetset'i'ijha, qa hik
nakhaa'ija Dios in i'nji'ju'.—



Ma' qa ha' ángel qa ts'ethinij iye ha' ewi't haqqi', hik hakha' iweli' ta'tets pa' witita'x, qi in na'liiju' hik tunye'j na'aj na'lje'mkii, qa ta'tji'teje'm ha' tots'oji'la'x pa' Dios qa ha' Kots'etax ta's iye.



Ha' witset nite' yite'jii pe'qu' junuye' qa pe'qu' juwele' iye
qu' nanaliti'pji', qe pa' tesa'x pa' Dios hikpa' nalitkii, qa
ha' Kots'etax Ła's qa hikha' tefetitjii.



Nite' t'anuu'yi'i qu' nuyetsji' hatse' hakha'an
pa'qu' ut'axe', nite' iye pa'qu' naqsiijkii pe'qu'
neqwepin, qa pa'qu'
aqawitjina'xe' iye,
qe uja'xte yijat'ij qu'
nuyetsji' hatse'
pekhewe' we'nika'ajji'
pe' tiyits ha'
witfaakanek t'ejujets
pa' witita'x tafaakanek
ha' Kots'etax Ła's.



—Qa takha' qa' nenli'jju' week
pe' tet'il nekhewe'en, qa pa'
witwamhi' qa' hats hame' iye,
qa' hats hame' iye pa'qu' ut'axi'
i'mkii itawje'met, hats ham iye
ipe', ham iye a'taxe', qe week
kekheve' yojo in na'l wekwek
hats hamits.—

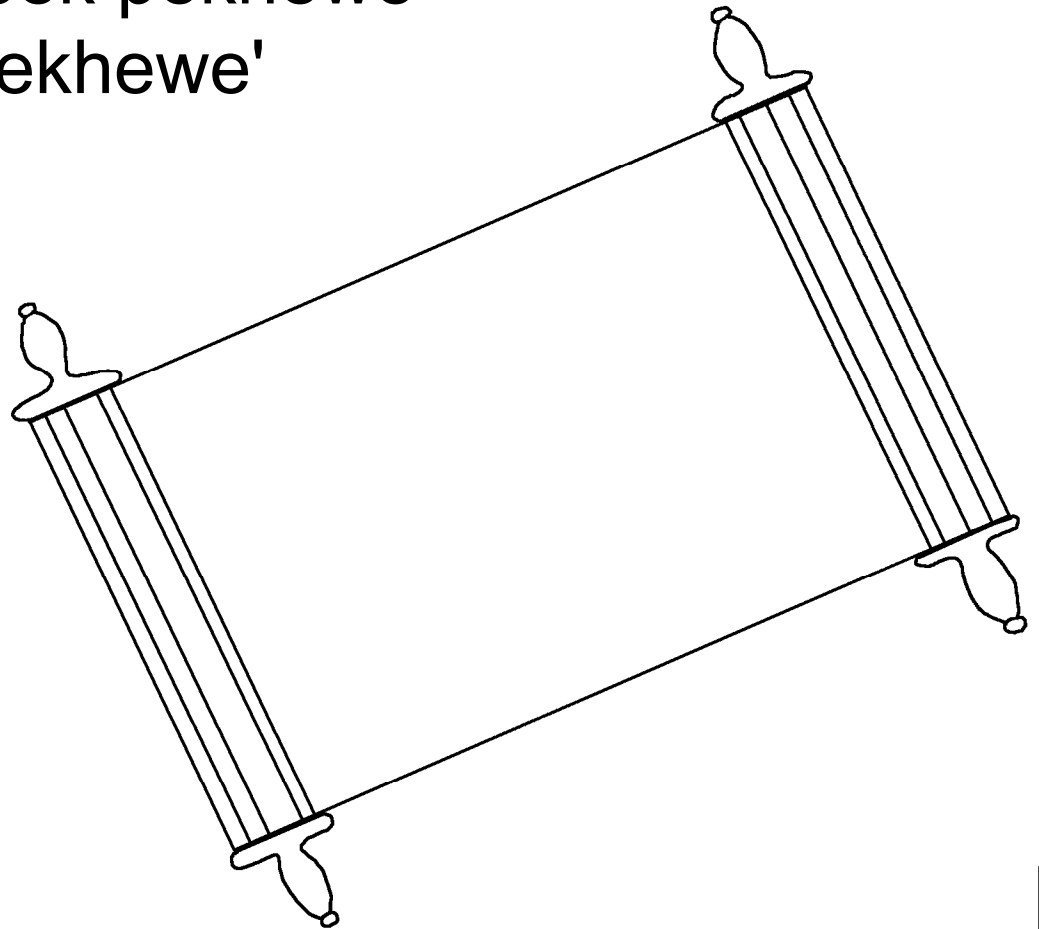


Qa week pakha' ut'ax hats hami' ha' sehe'. Qa ha'
tots'oji'la'x pa' Dios qa ha' Kots'etax ła's iye qa'
na'nji'ju'ha ha' witset, qa pe' teqejkunenhei (telits) qa'
net'ithayi'yi'mkiiha. Enewe'en qa' ni'wenija pa' teju's,
qa ka' tii qa'
na'ni' totkoyehei.



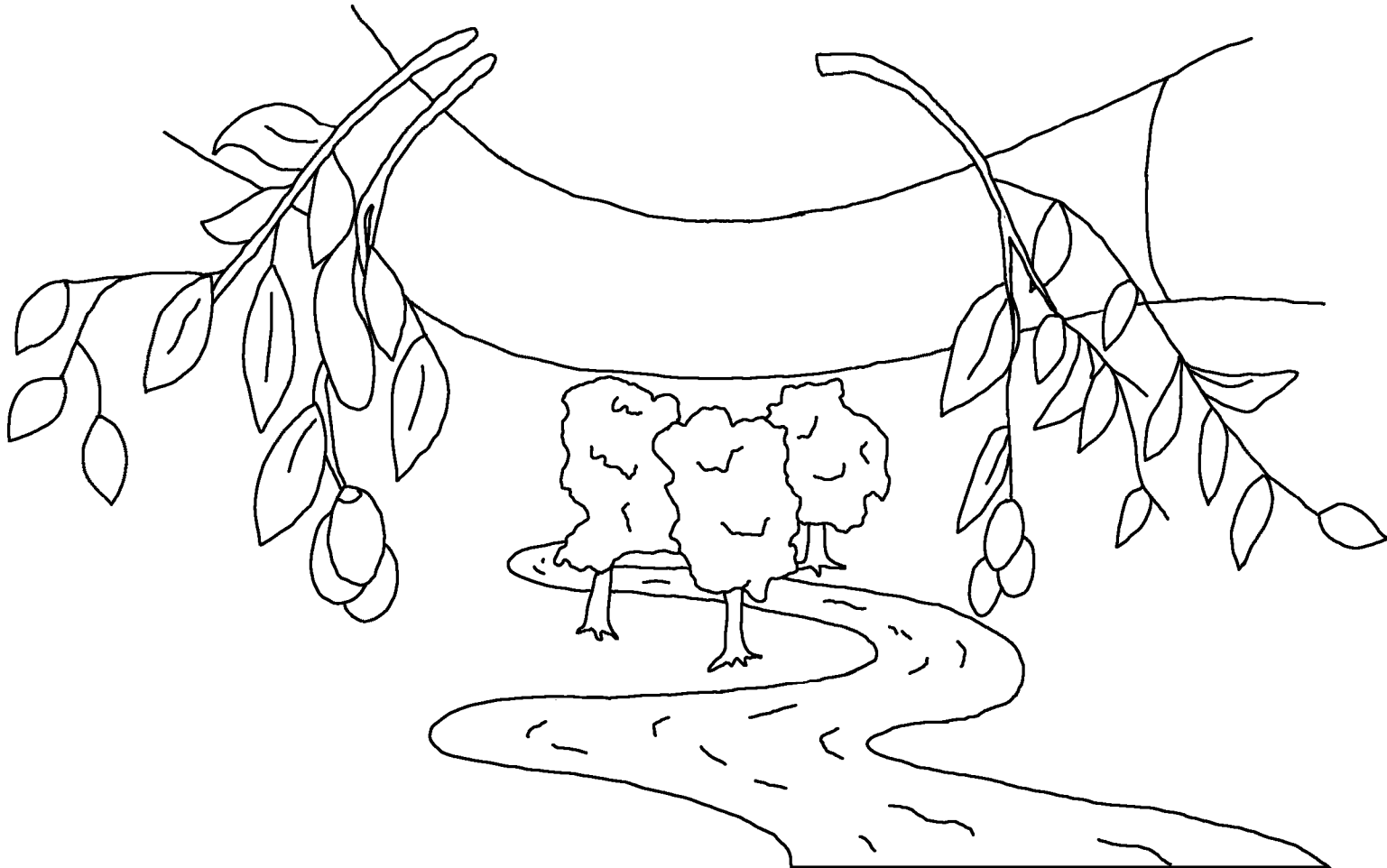
Qa hi'wen he' naxju' qits qa ke' nite' qits, ts'ap'a'afi ha' witts'oji'la'x, qa he' witfaakanhei qa wenit'ij qhof, qa hakhap iye witfaakanek qa wenit'ijek qhof iye, hikha' ha' witfaakanek t'ejuyets pa' witita'x. Ma' qa he' naxju' qa' tejeyumtshenhetiyij week pekhewe' yaqsiiikii we'nika'ajji' hekhewe' witfaakanhei.

Pakha' nite' te'wenhetijji' pa'qu' tiye' ha' witfaakanek t'ejuyets pa' witita'x qa' netwumhitijijju' ha' fe't hik tunye'j kati'.



Pa' Espíritu Santo qa ke' witiwhe'ye' qa yit'ijju':
—¡Te'tun!—

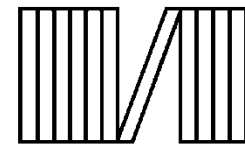
Qa pa'qu' hats nimpí'ye' qa' ni'tjiijek: —¡Te'tun!—
Qa pa'qu' ne'niyayu', ¡te'tun! Qa pa'qu' nisu'un, qa'
niya'ji' ham taja'ye' na' iweli' ta'tets pa' wita'ta'x.



Qe na' Intata qi
in yisu'un ene' week jukhew qa efuts iye
qa nukinju' na' ewi'tte in ɫaa'sija, hats'inha
qu' weeke' pakha' qu' netk'eenetsha
nakha'an, qa'nt' nami'ii hatse' nakha'
fe't qi iftsax. Ma' qa' nana'li'm na'
witita'x nite' yili'ij.



60



60



Romanos 3:23 qe week yaqsiijkii pa' ut'ax qa hik ta'tijupi' in nite' teke' qu' nafits pakha' yisu'untax pa' Intata qu' tunye'je' na'aj jukhew qa efu iye.

Romanos 6:23 Qe pa' taja' pa' witwut'ax pakha'an witwamhi', qa pakha'te jiyetisti'ij pa' Intata ham taja'ye' pakha'an wिता'x nite' yili'ij qe ta'tets in ewii'tija ju'uniji' ha' Yatsat'ax'inij Jesucristo.

Hebreos 9:27 In tunye'jek ka' hats we'neni' qu' tunye'je'kii ene' jukhew qa efuts iye in ewi'tti'ij in wa'm qa pa' teke'lenju' qa wetjeyumtshen.

Efesios 2:8,9 Qe pa' teq'iltiye'j pa' Intata ta'tets in hats i'tiyi't qe nite' t'inqeku'ut, qa aka'an qa nite' ta'ti'it ewets, qe ta'tte'ets yijat'ij pa' Intata in yisu'un qu' netisti'itij pa' wिता'x, nite' ta'tets pa'qu' jintaqsiijkii, qe qa' ham pa'qu' neniwqinhetij pe'ye'.



Romanos 10:9,10

Qe qu' nit'ij na' eji': —Ha' Jesús hikha' Yatsat'axyij— qa pa' atawe'j iye qu' numtii'ija nite' yeqeku'uk'i pa' Intata in niihinik'uipha'm pa'aj ha' Jesús pe' naxju', ma' qa' ita'xe'. Qe pa' atawe'j qu' numtii'ija nite' yeqeku'uk'i ma' qa hats tatsathen, qa na'te eji' qu' netetfelij, ma' qa' hats jutsiqax in hats ita'x.

Juan 3:16,17

—Qe na' Intata qi in yisu'un ene' week jukhew qa efuts iye qa nukinju' na' ewi'tte in Łaa'sija, hats'inha qu' weeke' pakha' qu' netk'eenetsha nakha'an, qa'nte' nami'ii hatse' nakha' fe't qi iftsax. Ma' qa' nana'li'm na' wita'x nite' yili'ij. Na' Intata nite' nukinetsju' ha'ne Ła's ha'ne sehe' ipji', ma' qa' nitanithen ha'ne week sehe' ipji', qe nukinju' yijat'ij hats'inha ha'ne week sehe' ipji' qa itiye' qu' nata'tets nakha'an.



1 Juan 5:11-13

Ekewe'en te'lijei pa' Dios yit'ij inwets in hats jiyetisij pa' witita'x nite' yili'ij, pakha' witita'x ta'tets ha' ɫa's. Pa'qu' netk'enets ha' ɫa's pa' Intata, ma' qa' hats nana'li'm pa' witita'x nite' yili'ij. Qa pa' qu'nte' netk'ene'ets ha' ɫa's pa' Intata, pakha'an hami'm pa' witita'x nite' yili'ij. Hika'at e'm hane'en ekheweli't in nite' teqeku'ut ha' ɫa's pa' Intata, ma' qa' enikfe'li'tetsha in hats na'li't e'm pa' witita'x nite' yili'ij.



Juan 14; 2 Korint 5; Apocalipsis 4, 21, 22

Storyline by: Edward D. Hughes

Illustrated by: Lazarus
and Alastair Paterson

Adapted by: Sarah S.

Maka NT (mca) © 2013, Wycliffe Bible Translators, Inc.
All rights reserved.

<https://www.bible.com/bible/1108/MAT.1>

©2025 Bible for Children, Inc.

www.M1914.org

www.bibleforchildren.org

