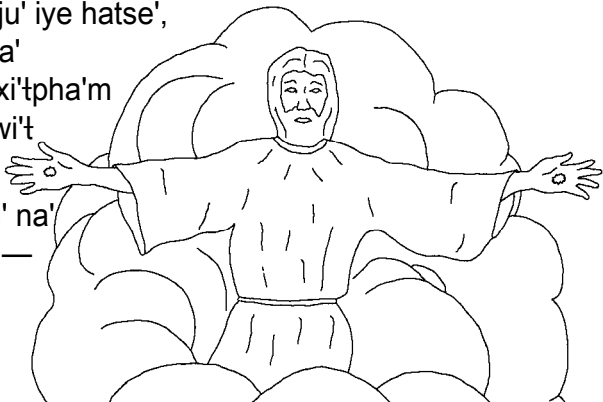


Juan 14



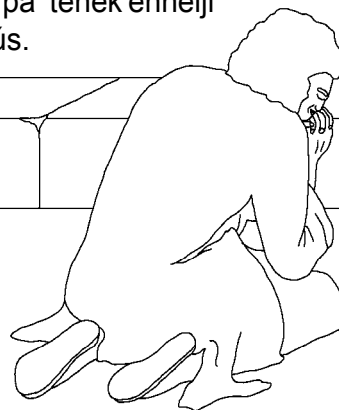
—Hasu'uj itawje'metetsi'it. Hasu'uj eqeku'ut na' Dios, qa hasu'uj esqeku'ut iye. Ne' tetsi' na' Tata olots ne' tatawjets. Qek nite' yijaayi'ija aka'an qekha nite' hit'etaxi'tij ewets. Qa' hathayinpha'm hatse' qa' haji'let pa'qu' etset'i'it. Qu' haktax qa' haji'let pa'qu' etset'i'it, qa' hetpilju' iye hatse', ma' qa' k'ekaxi'tpha'm qa' ewi't

jina'ni' na' ha'ni'.—



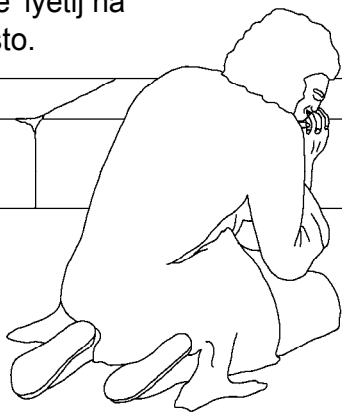
Yakha' Juan, ejefe'etipji' pa' Intata qa ewi't ju'uniji' iye pakha' jitaats'e'ej qa nite' ji'taqsunijup iye qe inekhewel ju'un

ji'teje'm pa' tenek'enheiji' ha' Jesús.



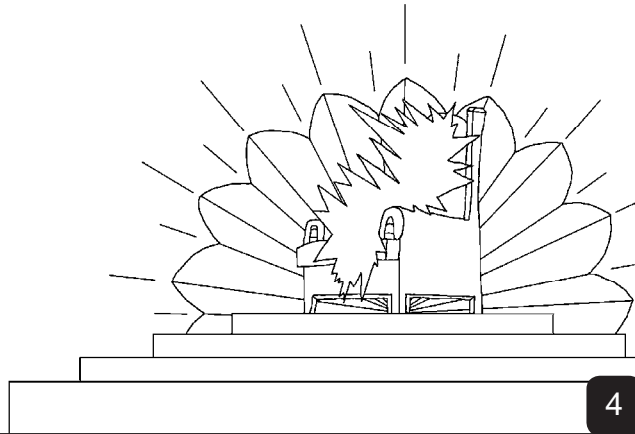
Yakha' ha'ni'kii ha'ne witq'opheti'we't teqewuk'uji' ha'ne iweli' t'ista'wet tii Patmos, qe ta'tets in henfel ke' Intata te'ljei qa in henfel iye

kekheve' iyetij ha' Jesucristo.



3

Ma' qa hik aka'aj pa' Espíritu Santo in ta'tets, qa hi'wen ha' ewi't witts'oji'la'x i'ni' na' wa'sji', qa na'l ha' i'nipji' hakha' witts'oji'la'x.



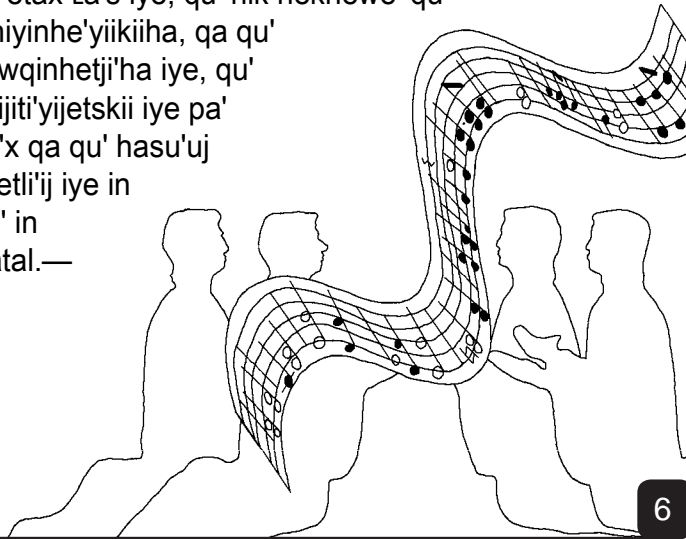
4

Ma' qa week pekhewe' wekwek witaqsijiju' na' wa'sji', qa ha'ne sehe' epji', qa pa' te'weiju' ha'ne sehe', qa na' qi iweli'ji' iye, week pekhewe' wekwek i'nji' enewe'en, qa hepi'ye' in yit'ijju':



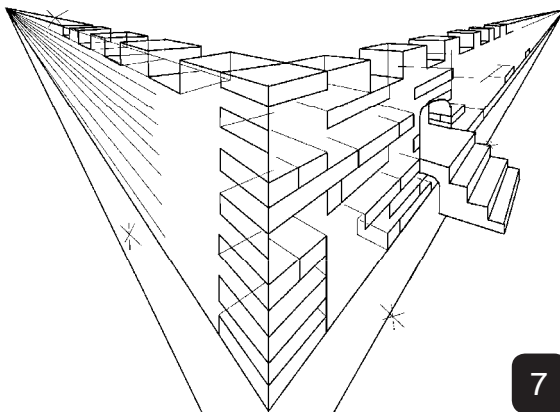
5

—Nakha' i'nipji' na' witts'oji'la'x qa na' Kots'etax ta's iye, qu' hik nekhewe' qu' ne'tniyinhe'yiikiha, qa qu' neniwqinhetji'ha iye, qu' netitijiti'yijetskii iye pa' tesa'x qa qu' hasu'uj newetli'ij iye in qitsji' in wittatal.—



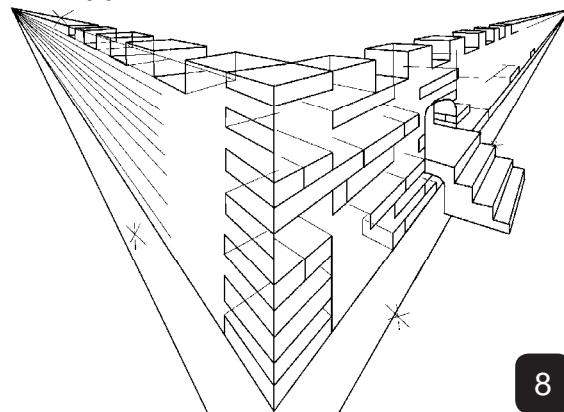
6

Qa hi'wen iye ha' qi te'wis witset, ham ut'axi'i, Ink'ayik Jerusalén, in ta'tetspha'm ha' wa's, te'nilitju' nukinju' pa' Dios. Qii'ija in te'wis, hats week yijat'etsju' hik tunye'j ne'ej ewi't efu in hats yamets tahats'ij tewhe'yejii qa wanaqsijija.



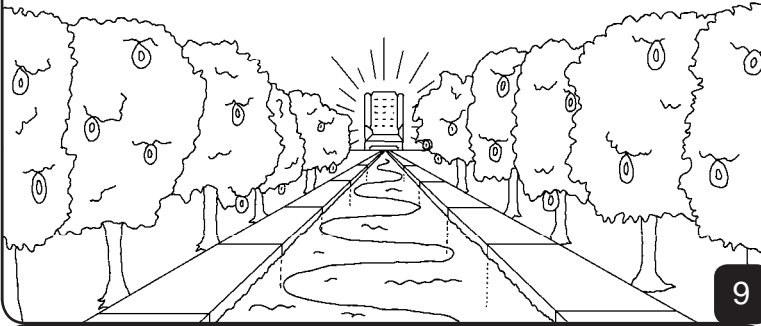
7

Qa hepi'ye' pa' ewi't t'unik'i wit'ax ta'tets ha' witts'oji'la'x, qa yit'ij: —Jet qeku'nek, hane'ej na' i'ni' na' Dios hats i'nji'teje'm ne' jukhew qa efuts iye, qa nakha'an hats i'nji'ju'ha nekhewe'en qa takha' qu' tetset'i'ijha, qa hik nakhaa'ija Dios in i'nji'ju'.—



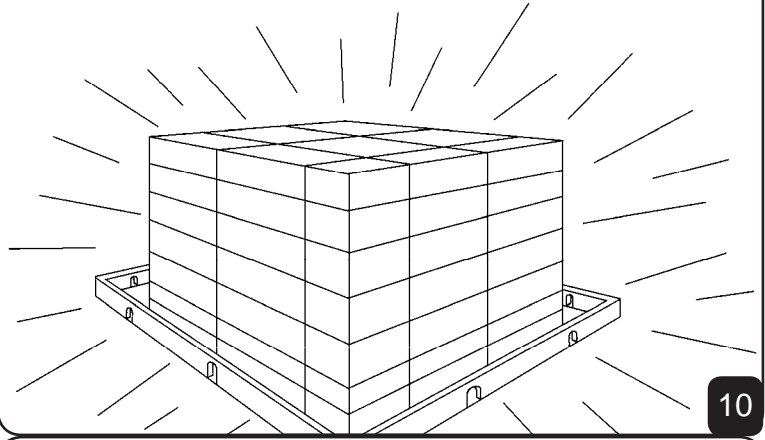
8

Ma' qa ha' ángel qa ts'ethinij iye ha' ewi't haqqi', hik hakha' iweli' ta'tets pa' witita'x, qi in na'liiju' hik tunye'j na'aj na'lje'mkii, qa ta'tji'teje'm ha' tots'o'ji'la'x pa' Dios qa ha' Kots'etax ɽa's iye.



9

Ha' witset nite' yite'jii pe'qu' junuye' qa pe'qu' juwele' iye qu' nanaliti'pji', qe pa' tesa'x pa' Dios hikpa' nalitkii, qa ha' Kots'etax ɽa's qa hikha' tefetitjii.



10

Nite' t'anuu'yi'i qu' nuyetsji' hatse' hakha'an pa'qu' ut'axe', nite' iye pa'qu' naqsiiikii pe'qu' neqwepin, qa pa'qu' aqawitjina'xe' iye, qe uja'xte yijat'ij qu' nuyetsji' hatse' pekhewe' we'nika'ajji' pe' tiyits ha' witfaakanek t'ejuyets pa' witita'x tafaakanek ha' Kots'etax ɽa's.



11

—Qa takha' qa' nenli'jju' week pe' tet'il nekhewe'en, qa pa' witwamhi' qa' hats hame' iye, qa' hats hame' iye pa'qu' ut'axi' i'mkii itawje'met, hats ham iye ipe', ham iye a'taxe', qe week kekhe'we' yojo in na'l wekwek hats hamits.—



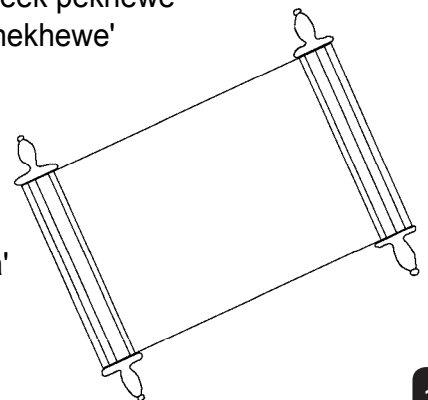
12

Qa week pakha' ut'ax hats hami' ha' sehe'. Qa ha' tots'o'ji'la'x pa' Dios qa ha' Kots'etax ɽa's iye qa' na'nji'ju'ha ha' witset, qa pe' teqejkunenhei (telits) qa' net'ithayi'yi'mkiiha. Enewe'en qa' ni'wenija pa' teju's, qa ka' tii qa' na'ni' totkoyehei.



13

Qa hi'wen he' naxju' qits qa ke' nite' qits, ts'ap'a'afi ha' witts'o'ji'la'x, qa he' witfaakanhei qa wenit'ij qhof, qa hakhap iye witfaakanek qa wenit'ijek qhof iye, hikha' ha' witfaakanek t'ejuyets pa' witita'x. Ma' qa he' naxju' qa' tejeyumtshenhetijij week pekhewe' yaqsiiikii we'nika'ajji' hekhewe' witfaakanhei. Pakha' nite' te'wenhetijij' pa'qu' tiye' ha' witfaakanek t'ejuyets pa' witita'x qa' netwumhitijijju' ha' fe't hik tunye'j kati'.



14

Pa' Espíritu Santo qa ke' witiwhe'ye' qa yit'ijju':
—¡Te'tun!—

Qa pa'qu' hats nimpí'ye' qa' ni'tijjek: —¡Te'tun!—
Qa pa'qu' ne'niyayu', ¡te'tun! Qa pa'qu' nisu'un, qa'
niya'ji' ham taja'ye' na' iweli' ta'tets pa' witi'ta'x.



15

Qe na' Intata qi
in yisu'un ene' week jukhew qa efuts iye
qa nukinju' na' ewi'tte in taa'sija, hats'inha
qu' weeke' pakha' qu' netk'eenetsha
nakha'an, qa'nt' nami'ii hatse' nakha'
fe't qi iftsax. Ma' qa' nana'li'm na'
witi'ta'x nite' yili'ij.

60

60

16

Romanos 3:23 qe week yaqsiiikii pa' ut'ax qa hik ta'tijupi' in
nite' teke' qu' nafits pakha' yisu'untax pa' Intata qu' tunye'je'
na'aj jukhew qa efu iye.

Romanos 6:23 Qe pa' taja' pa' witu'ut'ax pakha'an
witwamhi', qa pakha'te jiyetisti'ij pa' Intata ham taja'ye'
pakha'an witi'ta'x nite' yili'ij qe ta'tets in ewii'tija ju'uniji' ha'
Yatsat'ax'inij Jesucristo.

Hebreos 9:27 In tunye'jek ka' hats we'neni' qu' tunye'je'kii
ene' jukhew qa efuts iye in ewi'tti'ij in wa'm qa pa'
teke'lenju' qa wetjeyumtshen.

Efesios 2:8,9 Qe pa' teq'iltiye'j pa' Intata ta'tets in hats i'tiyi't
qe nite' t'inqeku'ut, qa aka'an qa nite' ta'ti'it ewets, qe
ta'tte'ets yijat'ij pa' Intata in yisu'un qu' netisti'tij pa' witi'ta'x,
nite' ta'tets pa'qu' jintaqsiikii, qe qa' ham pa'qu'
neniwqinhetij pe'ye'.

17

Romanos 10:9,10

Qe qu' nit'ij na' eji': —Ha' Jesús hikha' Yatsat'axyij— qa pa'
atawe'j iye qu' numtii'ija nite' yeqeku'uk'i pa' Intata in
niihinik'uipha'm pa'aj ha' Jesús pe' naxju', ma' qa' ita'xe'.
Qe pa' atawe'j qu' numtii'ija nite' yeqeku'uk'i ma' qa hats
tatsathen, qa na'te eji' qu' netetfelij, ma' qa' hats jutsiqax in
hats ita'x.

Juan 3:16,17

—Qe na' Intata qi in yisu'un ene' week jukhew qa efuts iye
qa nukinju' na' ewi'tte in taa'sija, hats'inha qu' weeke'
pakha' qu' netk'eenetsha nakha'an, qa'nte' nami'ii hatse'
nakha' fe't qi iftsax. Ma' qa' nana'li'm na' witi'ta'x nite' yili'ij.
Na' Intata nite' nukinetsju' ha'ne taa's ha'ne sehe' ipji', ma'
qa' nitani'then ha'ne week sehe' ipji', qe nukinju' yijat'ij
hats'inha ha'ne week sehe' ipji' qa itiy'e' qu'
nata'tets nakha'an.

18

Juan 14; 2 Korint 5; Apocalipsis 4, 21, 22

Storyline by: Edward D. Hughes

Illustrated by: Lazarus
and Alastair Paterson

Adapted by: Sarah S.

Maka NT (mca) © 2013, Wycliffe Bible Translators, Inc.
All rights reserved.

<https://www.bible.com/bible/1108/MAT.1>

©2026 Bible for Children, Inc.

www.M1914.org www.bibleforchildren.org

19

20

1 Juan 5:11-13

Ekewe'en te'lijei pa' Dios yit'ij inwets in hats jiyetisij pa'
witi'ta'x nite' yili'ij, pakha' witi'ta'x ta'tets ha' taa's. Pa'qu'
netk'enets ha' taa's pa' Intata, ma' qa' hats nana'li'm pa'
witi'ta'x nite' yili'ij. Qa pa' qu'nte' netk'ene'ets ha' taa's pa'
Intata, pakha'an hami'm pa' witi'ta'x nite' yili'ij. Hika'at e'm
hane'en ekheweli't in nite' teqeku'ut ha' taa's pa' Intata, ma'
qa' enikfe'li'tetsha in hats na'li't e'm pa' witi'ta'x nite' yili'ij.