

www.BibleForChildren.org

JON 14

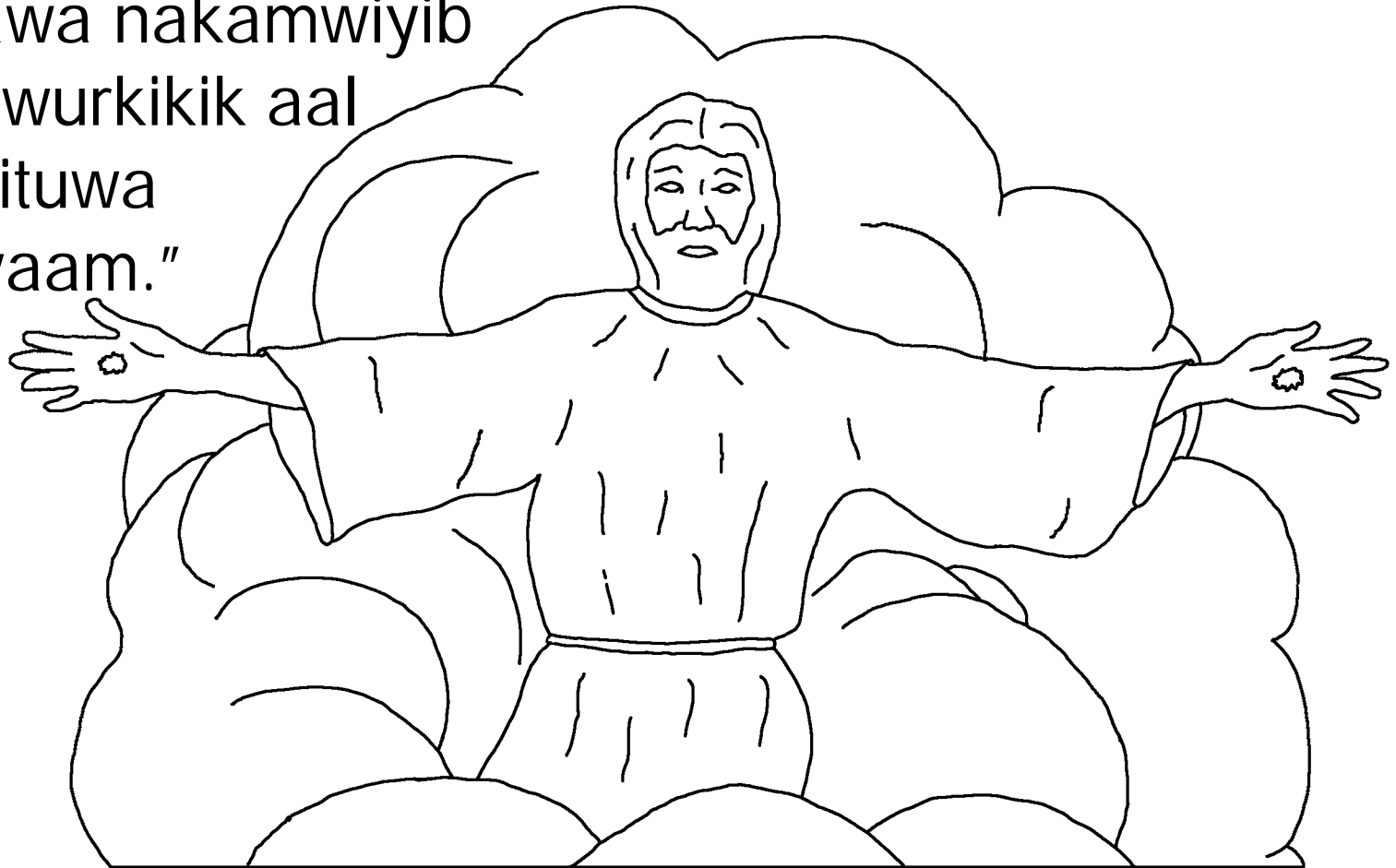


Aw Jisas dikidiy kalivadidiy duwak ata wadidiy,
“Gwur aya samasam mawul wukitikwa. Gwur kip Godak
wukijibir tikuw, wunak ab wukijibir ada. Wunadi Asaay
wiyaam kwakwa tamiy samasam-adiy.”



Aw li adiy God dikidiy nyanugw day kwakwa tamiy rav
maarik-la, aal bwunak wakik-tuwadiygwurik. Aw kita
wun aka warkuw, gwurak tamiy kwulapwu-kinadiwun.

"Aal tamiy kwulapwu-kwusin napakituwa gwurak,
yaakiya, ata sibinin dakinadiwun gwuraam kawarik
wunawa nakamwiyib
kwagwurkikik aal
kwakituwa
tamiyaam."



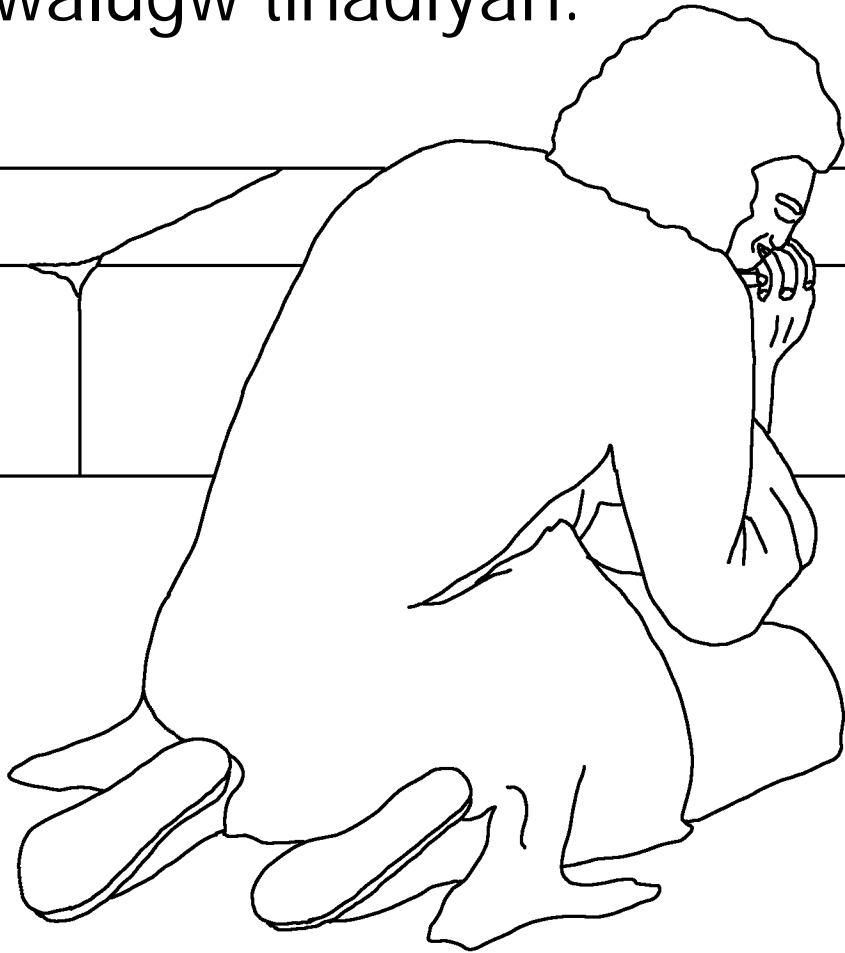
Wun Jon, gwuradi God dikidi gwalugwa kidi
duw-adiwun. Aw nyan mwiya mwiyaab Jisas
Kraisak wukijibir tibanalik tikuw, duw taakw

adiyka nyanaam kupwarapa
jaav kwur-danadiyan.



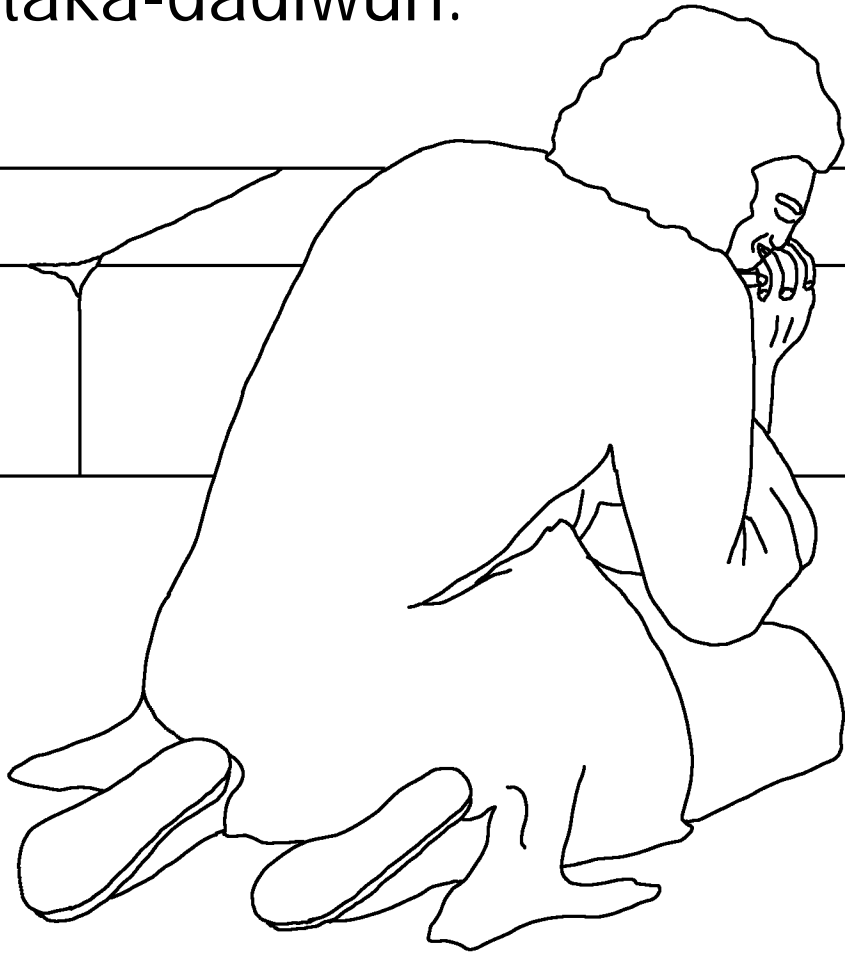
Aw Jisas nyanaam sugwiyaan kwur-dadiyan kip
apawa adiy kupwaraap sapwurapa java
kwurbakik. Awarab nyan aka nakamwiyib

dikidiy gwalugw tinadiyan.

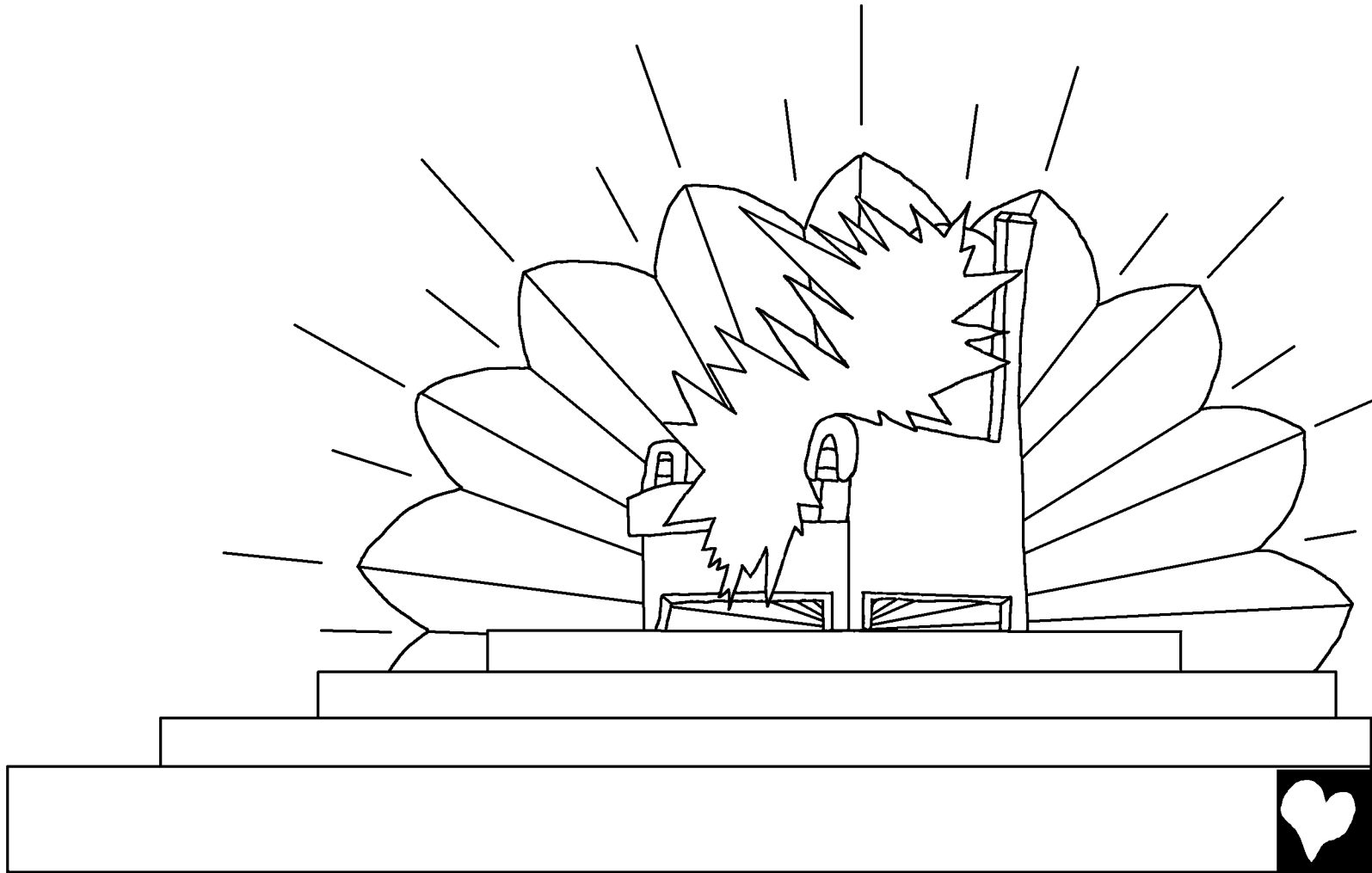


Aw wun God diki maaj duw takwak kalivakuw,
dayak Jisas Kraisak wasapwiy-tuwalik, alik day
wunaam kalakwukuw, Patmos wadana

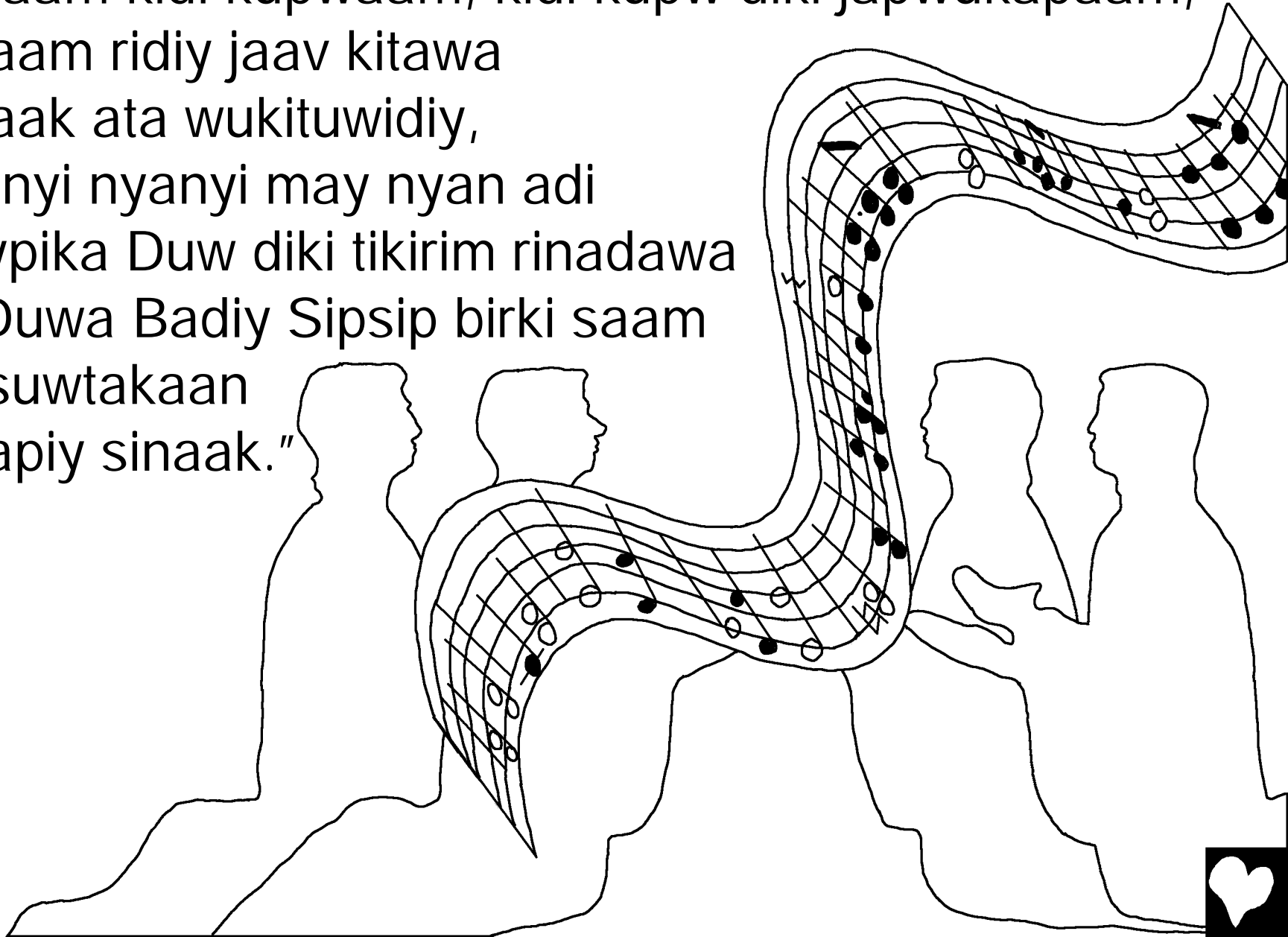
ailan im taka-dadiwun.



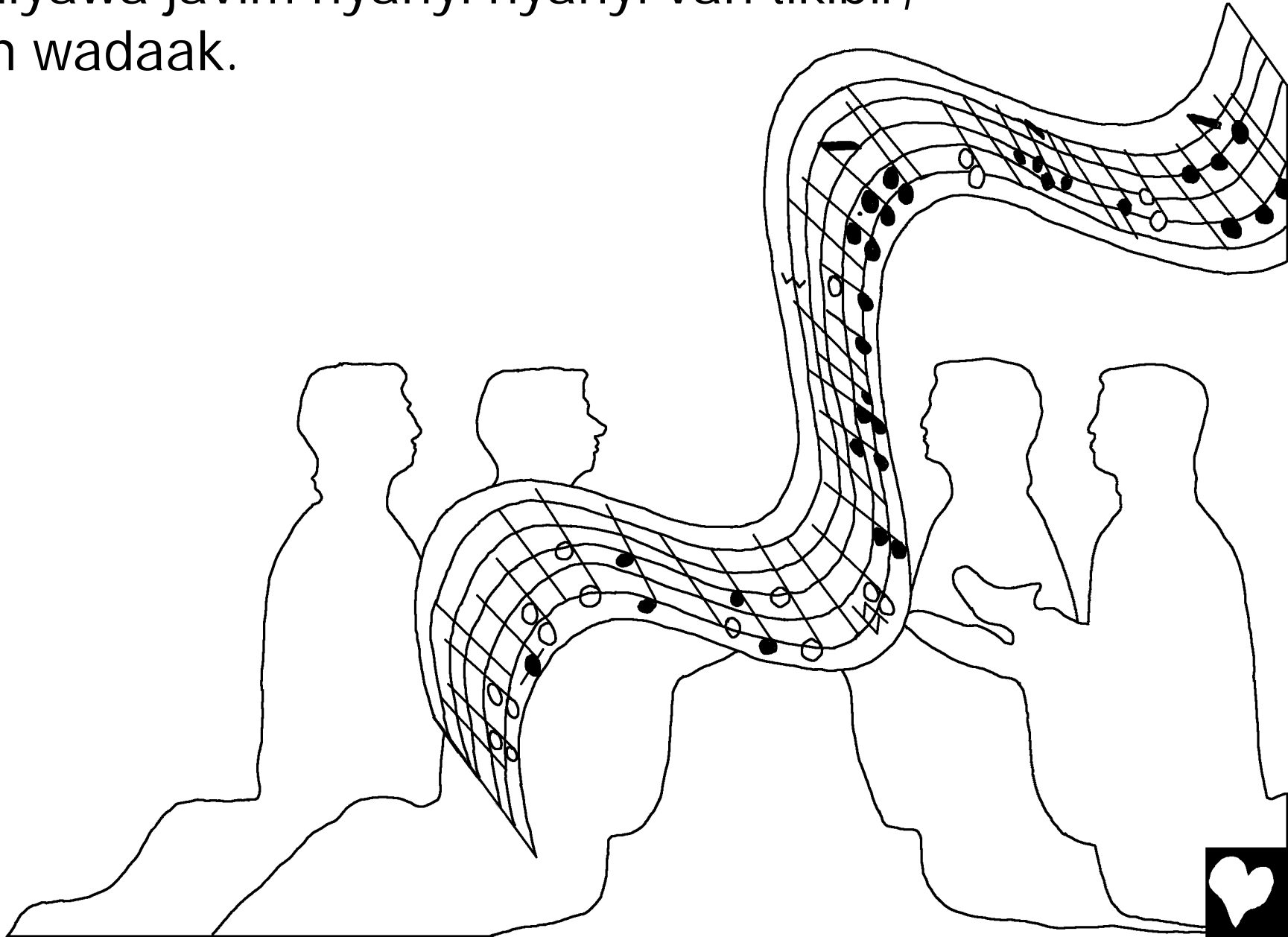
Aw ata jayib nak God dikidi Mawul wunaam yakuw,
ata wunaam raw-didiwun wun diki tabaam tituwkik.
Aw ata adawur tipaam vituwil Yitaypika Duw diki tikir,
aal vituwil. Aw aal tikirim daan rad ab vituwid.



Aw ata wun adiy miyawa God yitaka-didiy jaav adawur
tubwaam kidi kupwaam, kidi kupw diki japwukapaam,
guwaam ridiy jaav kitawa
wadaak ata wukituwidiy,
"Nyanyi nyanyi may nyan adi
Yitaypika Duw diki tikirim rinadawa
adi Duwa Badiy Sipsip birki saam
yakisuwtakaan
wayapiy sinaak."

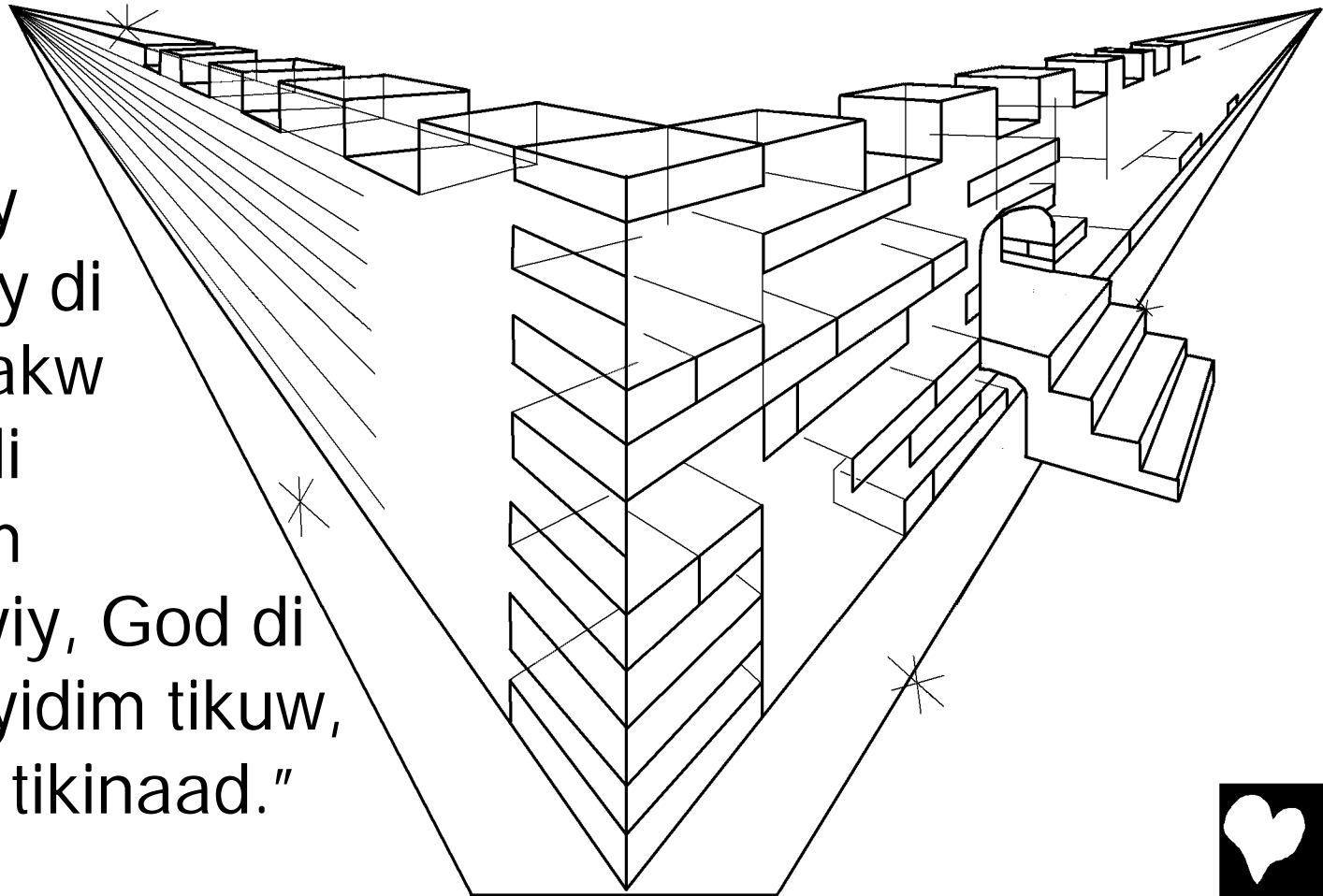


“Bir vitykirib mwiya mwiwab mwiya ap samasam tikuw,
bir miyawa javim nyanyi nyanyi van tikibir,”
waan wadaak.



Aw wun ata vituwid adi God dikidi kwula tip Kwula Jiruwsalim. God wayakidik, daad adawur tipab tikuw. Di aal gilabadiywa duw kiradikik tikwana taakw kaytik-ad. Aw wun ata mwiya nima kwudiy aal Yitaypika Duw diki tikirib wukituwil kitawa walik, "God ada bwu danaad

duw takwawa nakamwiyib kwakir dayadiy nyidim. Aw day di dikidiy duw taakw tikiyadiy. Aw di dayadiy nyidim kwakinaad. Ayiy, God di diki dayadiy nyidim tikuw, di dayadi God tikinaad."



Aw ata adi God diki maaj kardadi duw simaka-didiwun
adi duw takwaam mwugiydikib kip nyanyi nyanyi
kwaya-kwadanadi bayib. Aw di guw kayik kaytik
lamaad. Di aal Yitaypika Duw diki tikirib wakwukuw
daad, aal Godawa Badiy Duwa Sipsip daan ribirilrib.



God dikidi ap adi tipaam nyi kwiyjibir tikwanaad.
Aw adi Badiy Duwa Sipsip di lam kaytik tina pik tipaam
tikwanaad. Alik tikuw, nyawa bap bir yawiy maa ti ya
alim titak.



Aw God diki milaam viyakit ti maarkinadiy jaav nakab duw taakw adi tipaar kawar maa. Aw adiy kupwaraap sapwurapa jaav kwurkwanadiy duw taakw aw adiy suwaal taka-kwanadiy duw taakw, atampika duw taakw samab rav maa adi tipaar wulawulak. Aw adiy duw taakw day dayadiy si adi Badiy Duwa Sipsip diki lapa nyigaam rikinadiyda mwiwir rivi-kidiy adi tipaar wulawulak. Day-adiy adiy God tasakwu-didiy duw taakw dikiwa nyanyi nyanyi kwayadakik.



"Di vagita-kidadiy dayadiy mila lagw. Di dayaam sipwutiy-kida aw duw taakw samab ginyir ginyir kiy maardikik aw day samab ginyir ginyir sarmabap ti maardakik, aw day samab giraan ab kwar maardakik, aw samab dayadiy sipaar kagil yi maardakik. Adiy miyawa taay kidiy jaav miyawa kwusiyaki-kinadiy."

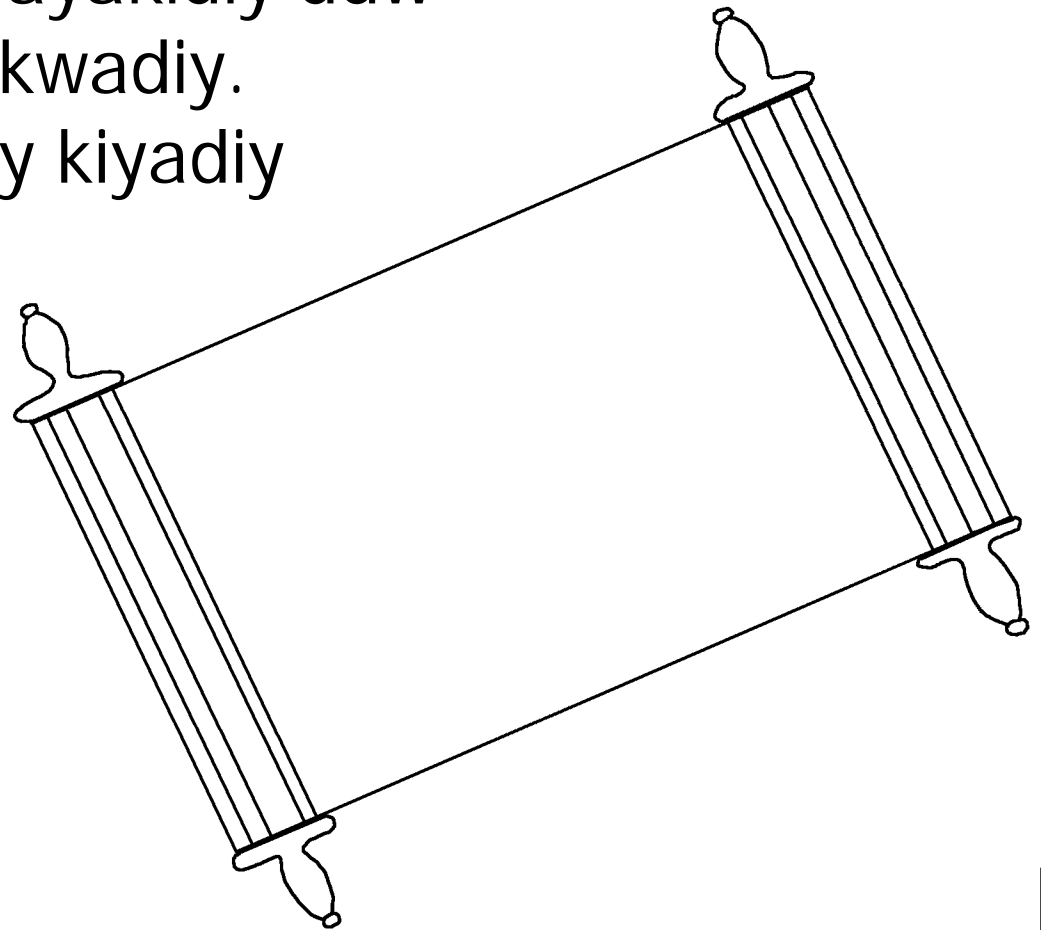


Adiy miyawa God diki milaam kupwaraap tikiyadiy jaav,
adiy miyawa rimakiyaki-kinadiy. Aal Yitaypika Duw
Godawa adi Badiy Duwa Sipsip biriki tikir alim tal.
Aw adiy miyawa God dikidiy yawiy duw taakw dikik
gaba maaj
sukwu-kidanaad.

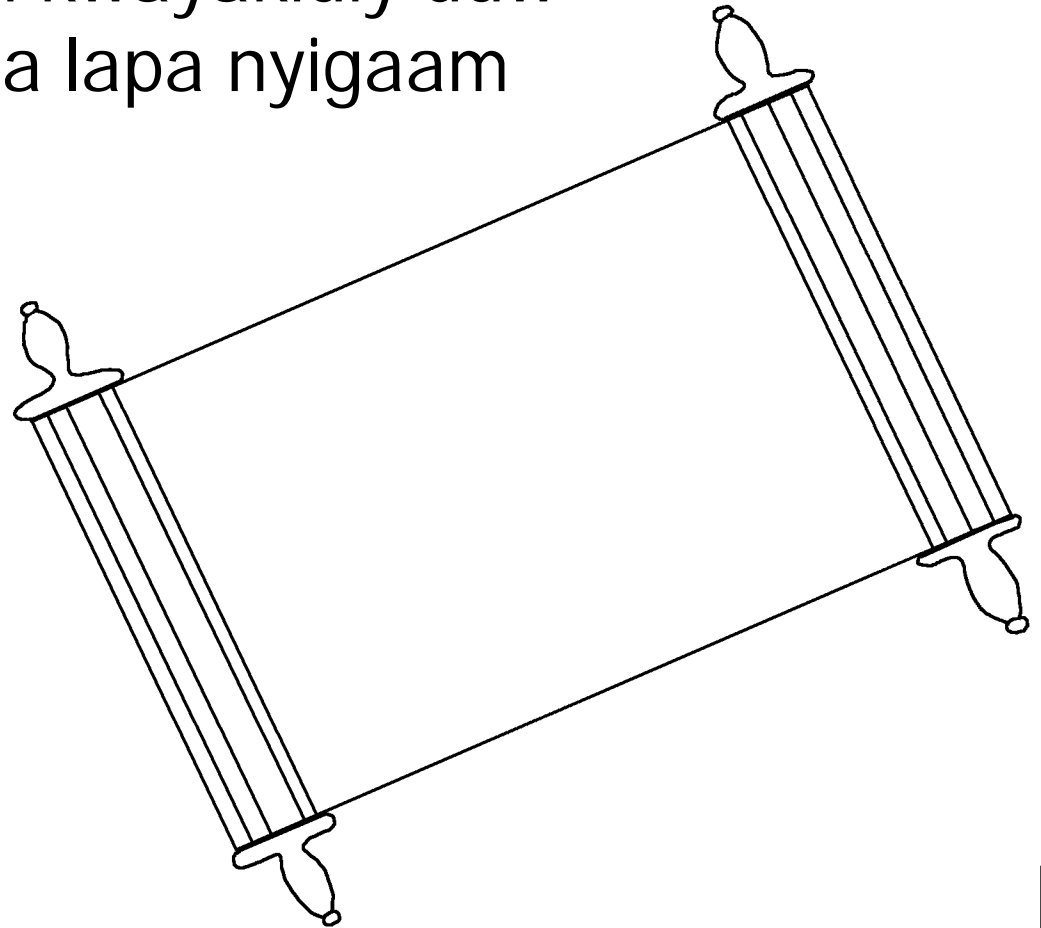
Aw day diki mil
mwutaam ata
vikidana. Aw dikidi
si adiy dayadiy
maka apaam
sukwun
kwakidiy.



Aw wun ata vituwidiy adiy kiyadiy duw taakw, adiy
yitaypikawa adiy yisadapik tidiy. Day miyawa Yitaypika
Duw diki mwutama tikirwa rasin tidiy. Aw wun ata lapa
nyig vituwidiy kaynapwiw-daak. Adiy Godawa nyanyi
nyanyi nakamwiyib kwayakidiy duw
taakw dayadiy si-adiy kwadiy.
Adiy lapa nyigaam adiy kiyadiy
duw taakw dayadiy
kidi kupwaam
kwurdadiy
yawiy-adiy kwadiy.



Aw God sibirin kwiydidiy maa adiy kwurdadiy yawiyib yawiyib, aw viyakit adiy viyakita yawiy kwurdiy duw takwak, aw vaat adiy kupwarapa yawiy kwurdiy duw takwak. Aw adiy miyawa duw taakw, dayadiy si adiy Godawa nyanyi nyanyi kwayakidiy duw taakw dayadiy si ridana lapa nyigaam sukwun ri maardiyim, aal sakir-sakir naan yiyawa ril araar yakisada-dadiy.



God dikidi Mawulawa adi Badiy Duwa Sipsip dikidi
gwalugwa duw taakw, day diki taakw kaytik, day
miyawa duw takwak wanabir kitawa, "Aw di gwuraam
mwiwir nyigil-dikik, gwur may!"



Adiy miyawa ki maaj wukikinadiy, dayabab miyawa duw takwak ki majib yarik yikwadiy. "Aw di gwuraam mwiyr nyigil-dikik, gwur may!" Aw duw taakw yakwadiy kidi guwak, adi duw takwaam mwugiy-kwanaad kip nyanyi nyanyi kwayadakik.



Yakuw, dikib kikwadiy. Aw day samab saan yapiyin
dikib ki maa. Day jaaw kip kikidana-ad.



"Aw God miyawa
duw takwak
samam wukikuw, mawul yididiy.
Atawa yidilik tikuw, di kwiydid di dikidi
mwiya mwiyaaba nakamwiya Nyan aw
mwiyr adiy dikik wukijibir tikidiy duw
taakw Godak kajikuw ti-yaay,
dikiwa nyanyi nyanyi kip
kwaya-kidiy."



ROM 3:23 Aw ababa duw taakw day Jisas Kraisak wukijibir tidaak, God ata tasakwu-dadiy mwiwir tidakikik diki milaam atawa Jisas Kraisak wukijibir tidalik. God ababa Jisas Kraisak wukijibir tikidiy duw taakw, Juwawa nuwukadiy jaka tipa kidiy duw takwak, atawa kwurkidadiy. Aw day miyawa vaal yikwanadiy. Alik tikuw, day abab rav maa God dayak wayapiy maaj sisak.

ROM 6:23 Ginyir God vaal yikwanadiy duw takwak sibinin kwiwkidadiy dayadiy valik. Di dayak tasakwu-kidadiy day diwa kajaan tikuw, nyanyi nyanyi mwiya jawjaay tikidiy. Aw God tasakwu-dadiy nyanadi Yitaypika Duw Jisas Krai wukin tikwanadiy duw taakw nyanyi nyanyi yara kwadakikik diwa.

YIPIRUW 9:27 Miyawa duw taakw jaab nak kiyakidana. Adiy nyi God diki mawulaam rinadiy. Kiyakuw, God diki nima kot im tikiyadiy.



YIPASIS 2:8,9 God bwutaay nyigil-didiygwurik vaal tabaam tigwurik, aw gwur dikik wukijibir tigwurilik tikuw. Gwur yawiy maa kwar aw mwiyr Godaam mwugiyik gwuraam nyigildikik tikuw. Samab maa. Aw God diki nyanak yikwadaal sukwasukw kwurkwana mawula danik tikuw, di nyigil-didiyan. Di atawa kwurdil, diki mawul maa wana nyan diki yawiyik yapiy-yapiyik. Aw li nyan yawiy kwurik-bana aw mwiyr Godaam mwugiyik nyanaam nyigil-dikik tikuw, aal nyan sakwar sakwar titaay, bwulayi bwulaya maaj rivik-nadiyan bwula-bwulak. Aw God di diki nyanaam nyigil-dilik tikuw, alik nyan atawa bwula-bwulak samab maa rav.



ROM 10:9,10 Aw li gwur nakanak nuwukadiy duw takwak kitawa wasapwiy-kigwura, "Jisas Kraiss wunadi Yitaypika Duw-ad" wakuw, aw li gwur mawulaar wukijibir tikigwura Jisas Kraiss kiyakuw ridik, God ata kirapitakadid wakuw, yaakiya, God ata nyigil-kidadiy gwur. Aw li nyan nyanadiy mawulaar atawa wukijibir tibaak, God ata tasakwu-dadiyan mwiyr tibakikik diki milaam. Aw li nyan nuwukadiy duw takwak wasapwiy-kibana, "Nyan God diki kwusidil javik wukijibir tinadiyan," wakuw, God ata nyigil-kidadiyan.

JON 3:16,17 "Aw God miyawa duw takwak samasam wukikuw, mawul yididiy. Atawa yidilik tikuw, di kwiyyidid di dikidi mwiya mwiyaaba nakamwiya Nyan aw mwiyr adiy dikik wukijibir tikidiy duw taakw Godak kajikuw ti-yaay, dikiwa nyanyi nyanyi kip kwaya-kidiy. Aw God wun, dikidi Nyan, kidi kupwaar wayakidik dadiwun duw takwak. Jas kaytik tituwkikik maa wayak. Aw wun mwiyr dayaam nyigil-tuwkik wayakididiwun."



1 JON 5:11-13 Kikaanaka, God wadil maaj. Di waad di bwu tasakwu-didiyan di dikiwa nyanyi nyanyi kwayabakik tikuw.

Aw God dikidi Nyan di diki ad aal nyan Godawa nyanyi kwayakibana liki maaw. Adiy duw taakw God dikidi Nyan dayadiy mawulaam mayaakw kwadaak, mwiya mwiwab rawun kwadik, God bwu adiy duw takwaam tasakwu-dadiy adiy duw taakw dikiwa nyanyi nyanyi kwayadakik. Aw adiy duw taakw God dikidi Nyinim dayadiy mawulaam rawun kwadikikik mayaakw kwu maarkwanadiy, God di maa adiy duw takwaam tasaakw dikiwa nyanyi nyanyi kwayadakik.

Wun ki lapa nyig gwurak, God dikidi Nyinik wukijibir tikwanadiy duw takwak, sukwutuwa aw mwiwir gwur lakwu-gwurkik God bwu tasakwu-didiygwurik di dikiwa nyanyi nyanyi kwayagwurkik waan.



JON 14; 2 KORIN 5; REVELESEN 4, 21, 22

Storyline by: Edward D. Hughes

Illustrated by: Lazarus
and Alastair Paterson

Adapted by: Sarah S.

Manambu NT (mle) © 2001, Wycliffe Bible Translators, Inc.
All rights reserved.

<https://www.bible.com/bible/3569/MAT.1.MLE>

©2026 Bible for Children, Inc.

www.M1914.org

www.bibleforchildren.org

