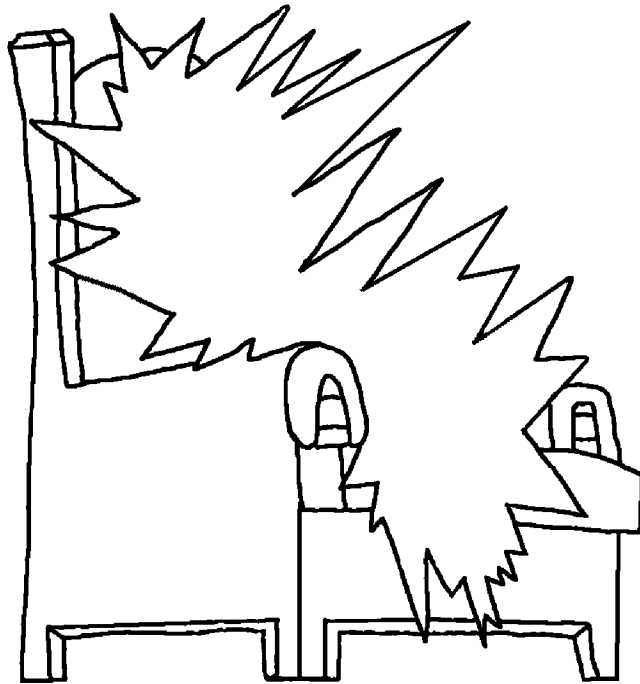


[www.BibleForChildren.org](http://www.BibleForChildren.org)

Juan 14



Kagi ni Jesus duon to mgo inaad din, "Ajaw ogsamuka to ginhawa now. Nasi salig kow to Diyus aw salig kow isab kanay. Diya to banwa to Amoy ku mahan-in to ogkangkaugpaan. Ko kona pa no matuud seini, kona ku sikiyu ognangonan."



"Na, og-andiya a su oghinaaton ku to ogkaugpaan now.  
Aw ko mahinaat kud to ugpaanan now, ogpauli a dini  
su ogdokaton ku sikiyu agun no inggad andei a,  
duon kow isab."



Siak si Juan, suun a now to pagtuu. Aw tongod to pagkabogkot ta duon ki Jesus, angod a iyu no ogpaharion duma kandin. Mig-aangod

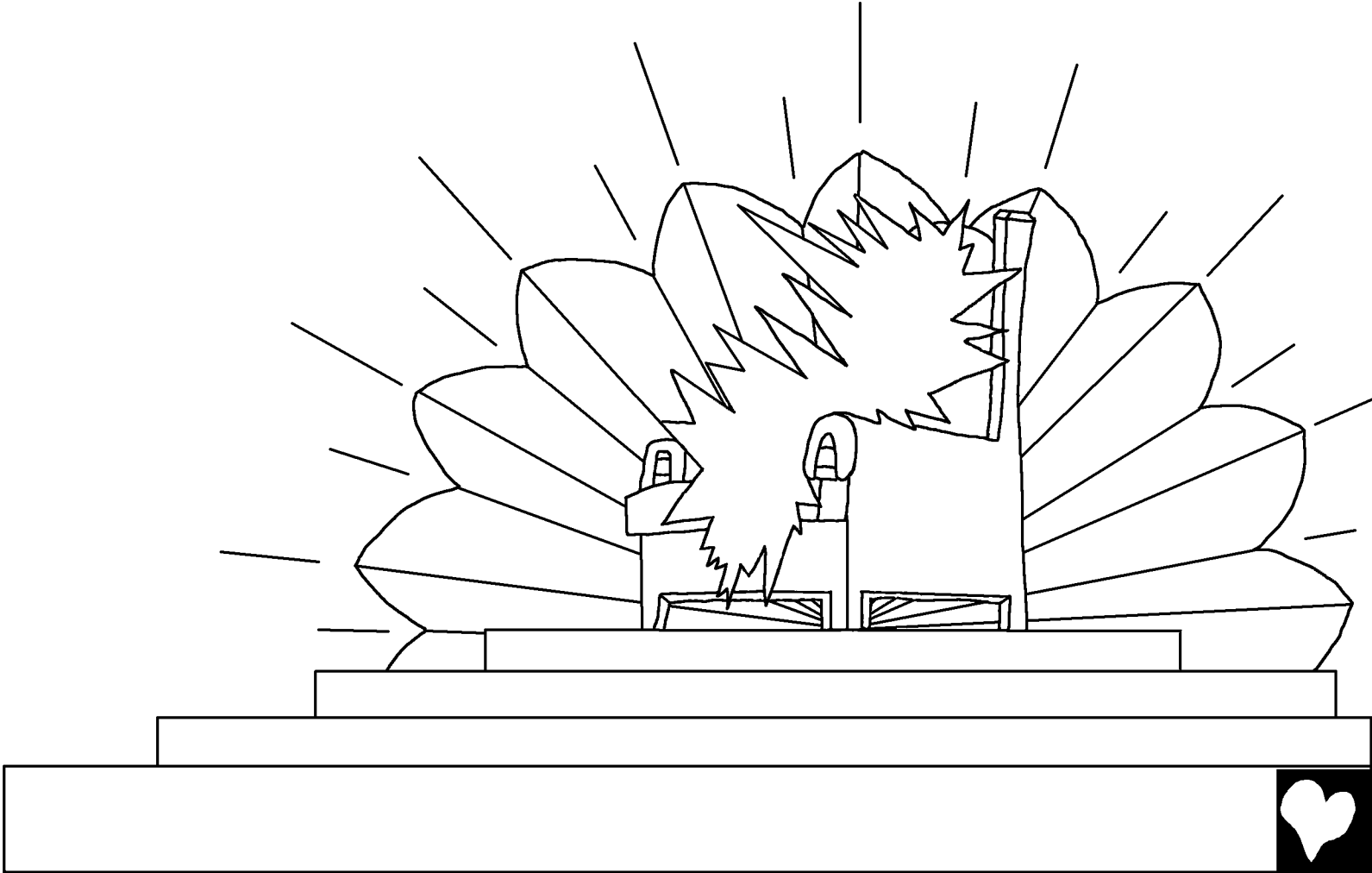
kinow isab no mainantuson inggad abuton ki to mgo kalisod.



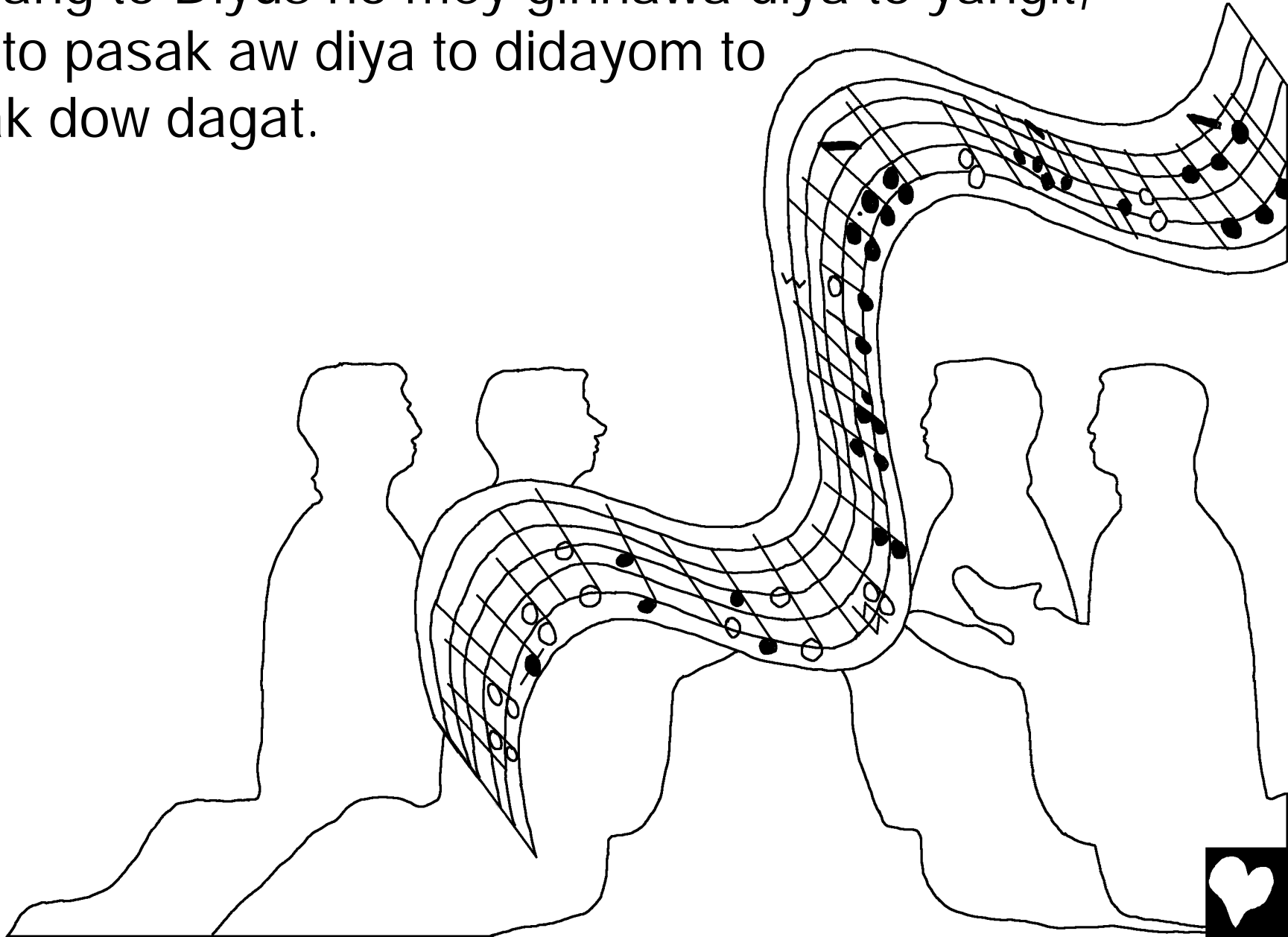
Su pigkastigu a aw paugpaa kani to Patmos no puyu to dagat tongod to pagnawnangon ku to kagi to Diyus no ingmaan ni Jesus.



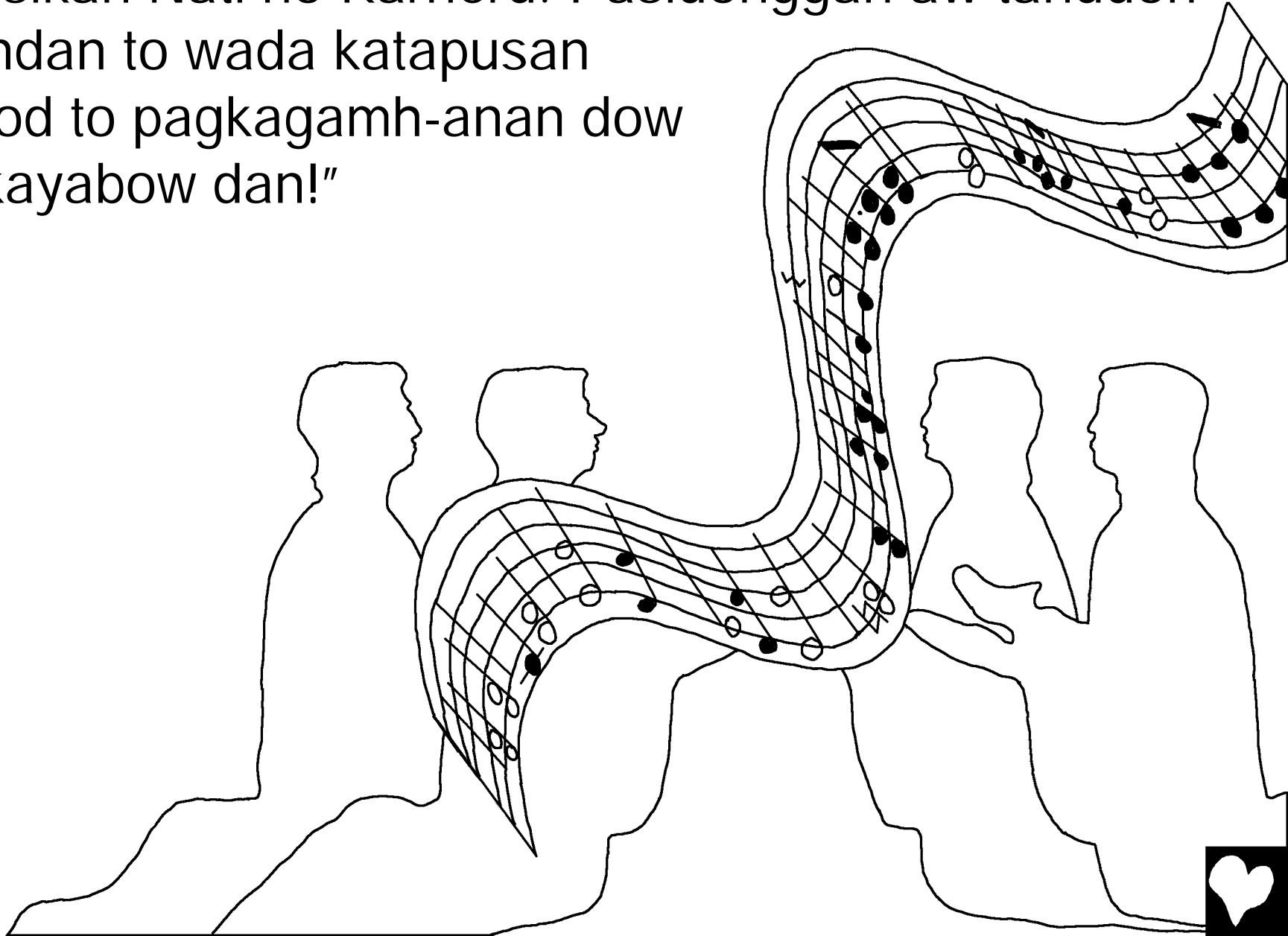
Duon-dajun piggahoman a to Ispiritu Santu. No diya ad kun to yangit, migkita a to trunu dow sikan mig-ingkud duon.



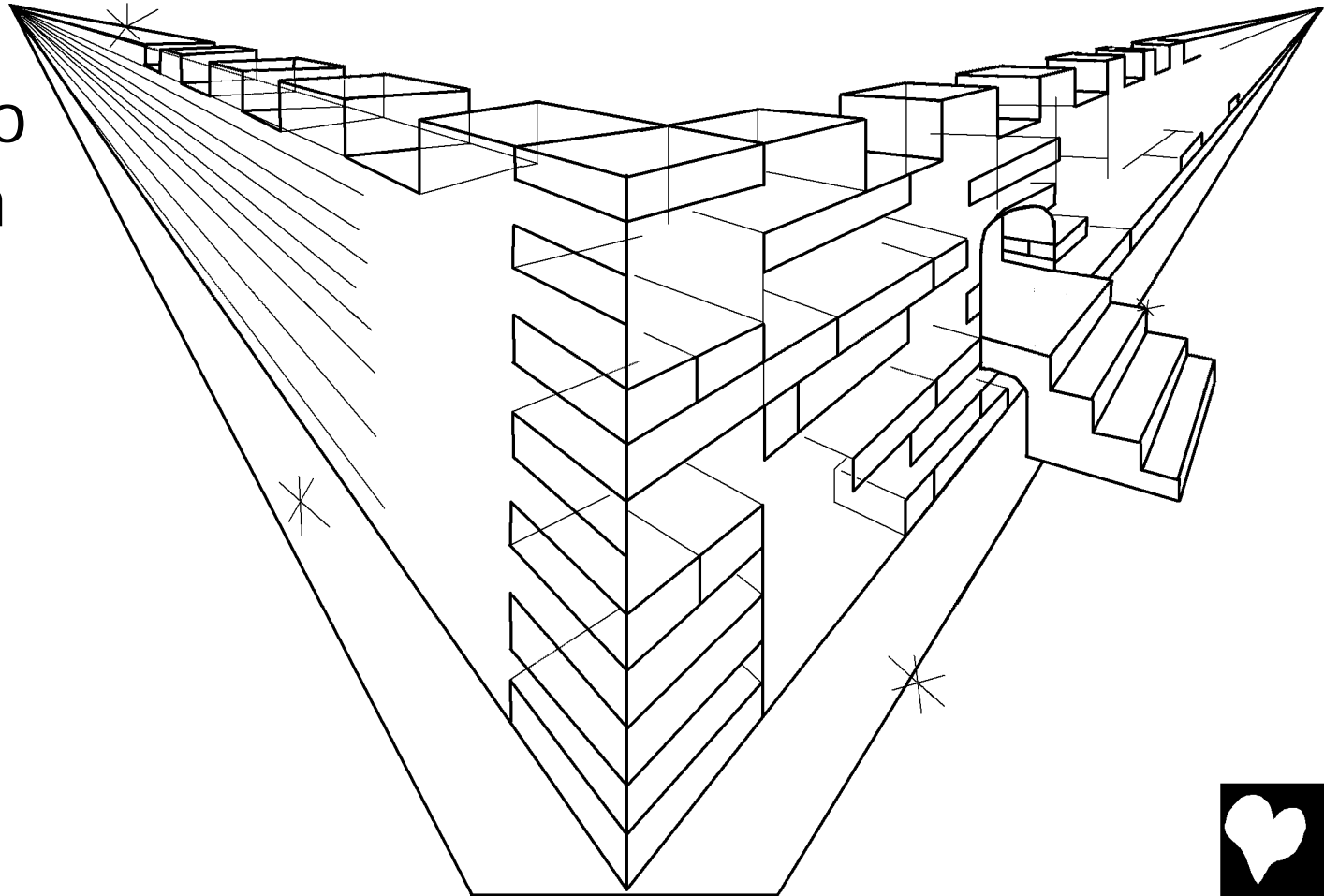
Tapus to sikan, pigdinog ku isab to tingog to tibo mgo  
hininang to Diyus no mey ginhawa diya to yangit,  
kani to pasak aw diya to didayom to  
pasak dow dagat.



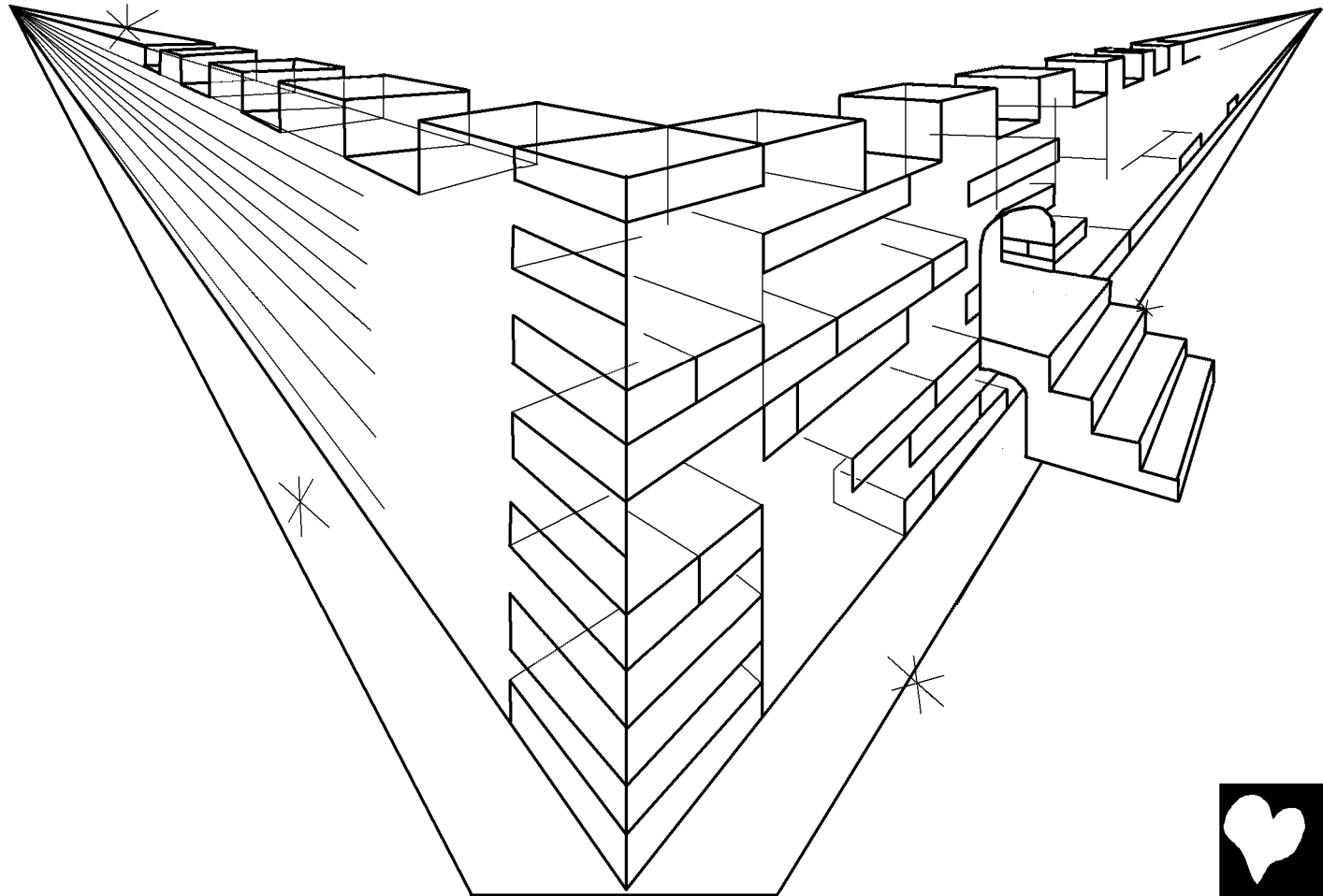
Kagi dan, "Sajaon ta sikan mig-ingkud duon to trunu  
dow sikan Nati no Karneru. Pasidonggan aw tahudon  
sikandan to wada katapusan  
tongod to pagkagamh-anan dow  
pagkayabow dan!"



Nasaepan ku isab sikan siyudad to Diyus no bag-u no Jerusalem no ogtuntunon likat to Diyus no diya to yangit. Madojow hilabi sikan no og-ahaon, angod to asawahon no nahinaat on para to banahon din. Na, pigdinog ku to mig-ikagi to maagbot duon to sikan trunu, "Oho, to ugpaanan to Diyus duon on to kaotawan."



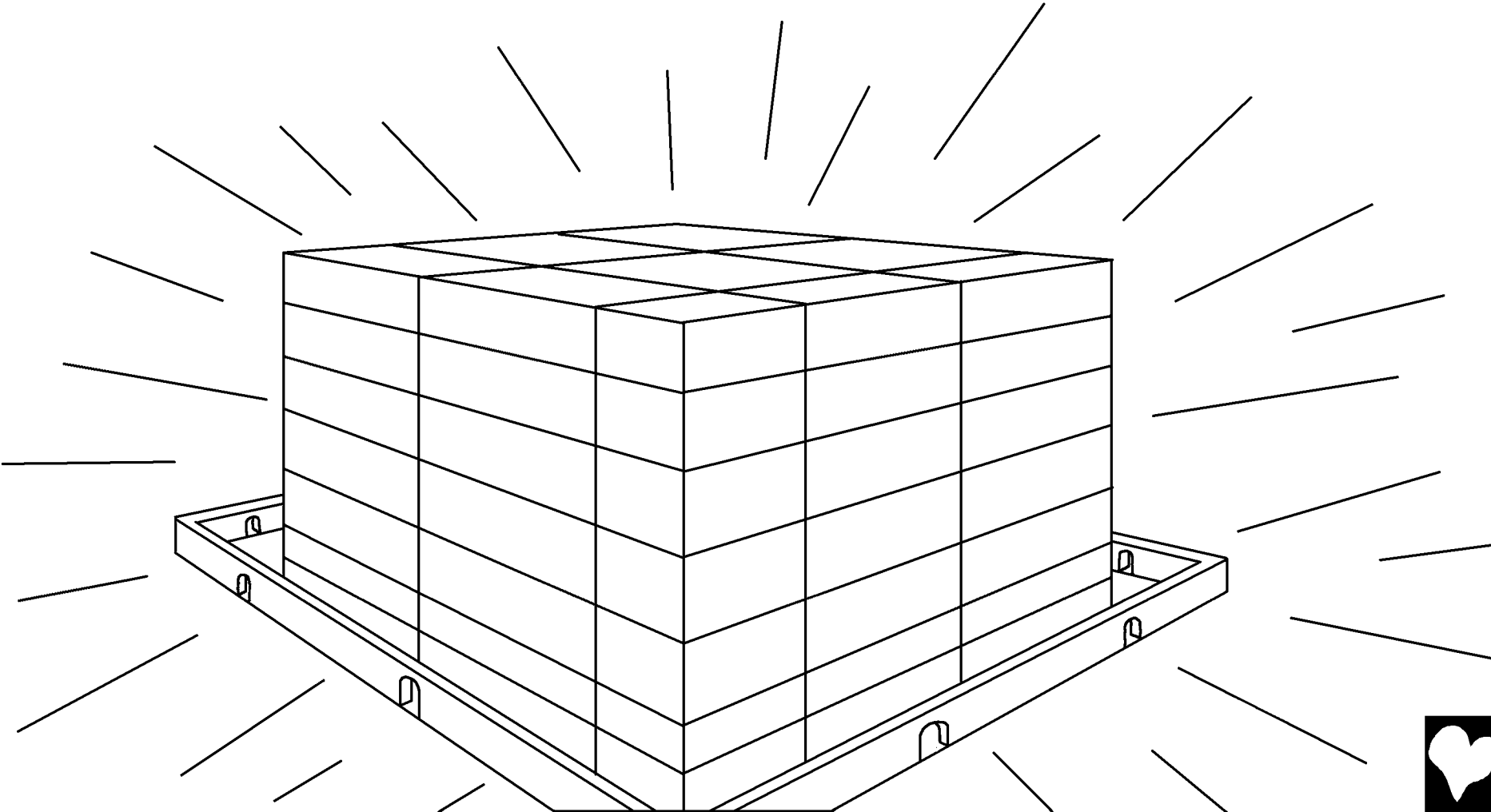
“Ogpatilon on sikandin duon. Og-angkonon din sikandan no kaotawan, aw og-angkonon dan isab sikandin no Diyus dan.”



Impakita isab kanay to sikan anghil sikan wohig no  
ogpakabogoy to kinabuhi no wada katapusan.  
Mating-ow hilabi inggad tabugan to dagum. Duon sikan  
og-ugwak to trunu to Diyus dow to sikan Karneru aw  
og-awas duon to kabaknaan to karsada to sikan  
siyudad.



Konad isab ogkinahangyanon to buyan dow sogga su to kasiga to Diyus dow to sikan Karneru iyan on man kaawang duon.



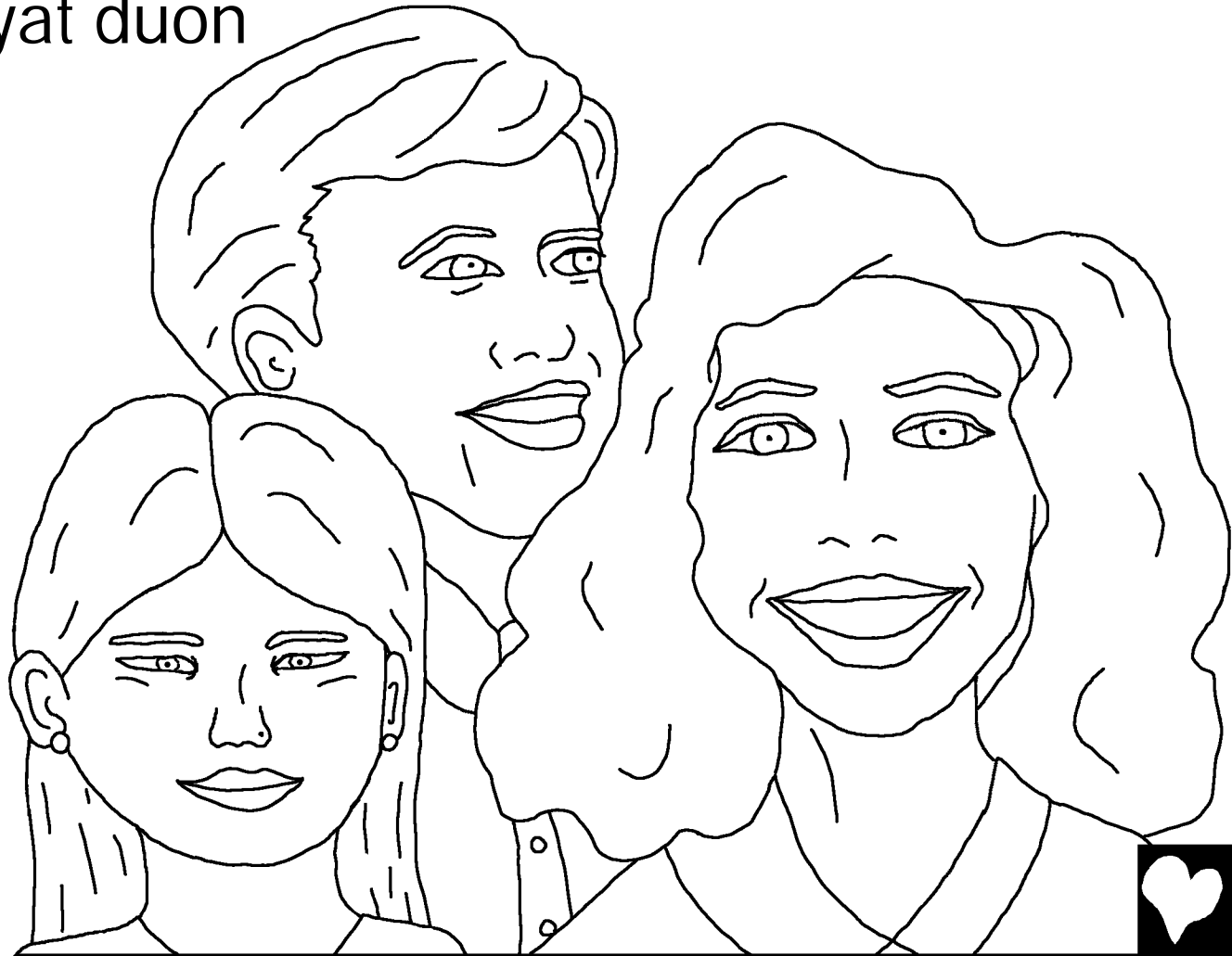
Wada maligsom dow malimbungon no ogpasedon duon. Wada isab ogpakased no oghinang to makasisikow. Iyan da ogpasedon to diya mgo otow no nakalista to mgo ngadan duon to libru to sikan Nati no Karneru, mgo otow no nabogajan to kinabuhi no wada katapusan.



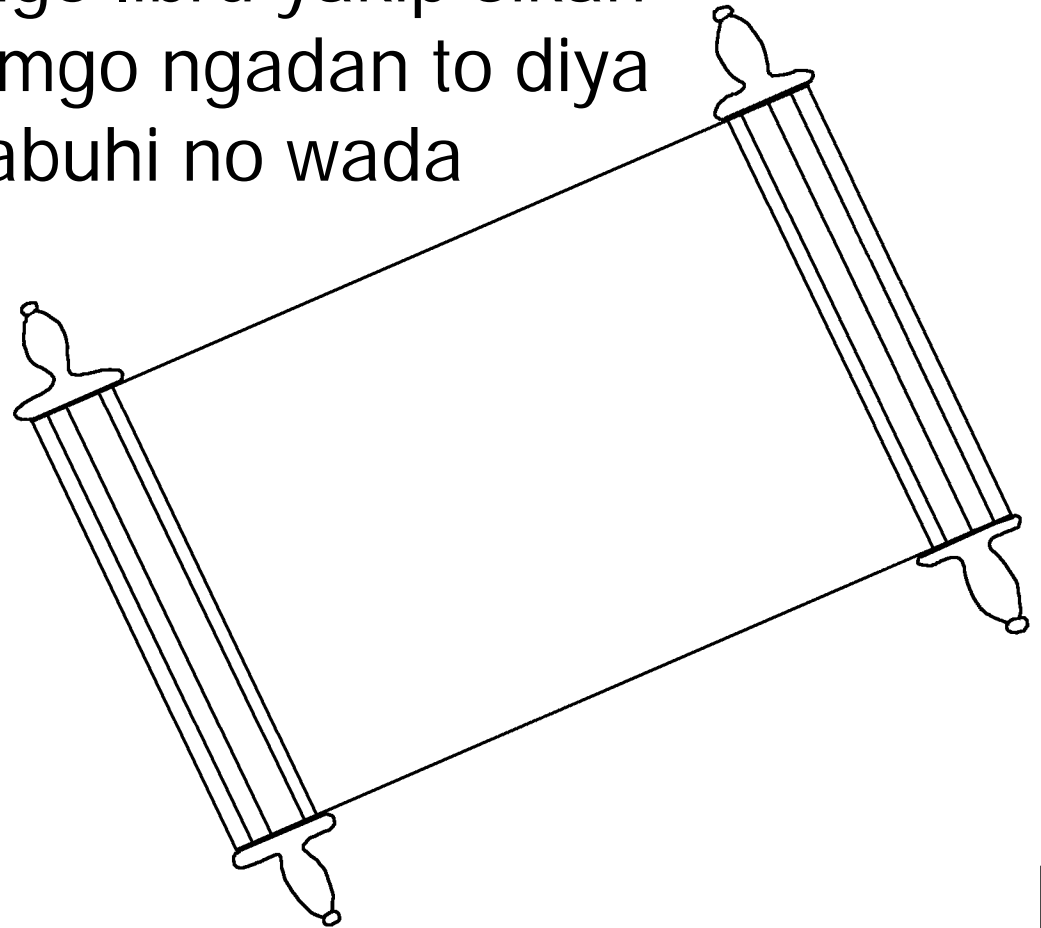
"Oggawangon din to tibo kaguul dan. Wadad on ogkamatoy, wadad ogkatiyahuan aw wadad on isab mgo kasakit, su to tahan tibo on migyaboy."



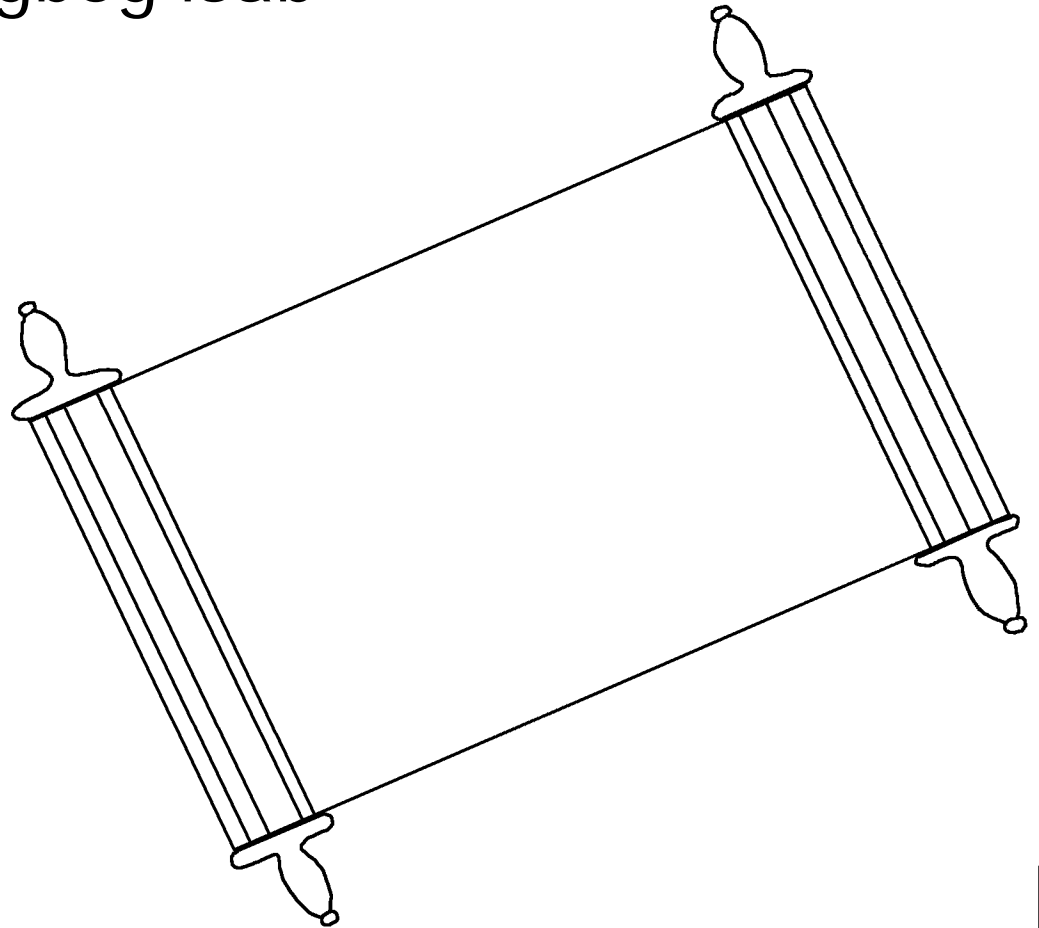
Wadad on to diya mgo kalisod no ingkastigu to Diyus to kaotawan. Igpahimotang to trunu to Diyus dow to sikan Karneru duon to sikan siyudad, aw to Diyus ogtumanon to kaotawan din. Ogkitaon dan to bayhu din, aw to ngadan din igsuyat duon to goja dan.



Pigkita ku isab to mgo patoy, mgo bantugan dow mgo obos no namanindog duon to atubangan to sikan trunu. Su nabanhaw on to tibo nangkamatoy no likat to banwa to mgo umagad yakip sikan nangkamatoy diya to dagat. Pigbukyad to mgo libru yakip sikan libru no piglistahan to mgo ngadan to diya nangkabogajan to kinabuhi no wada katapusan.



Na, pighukuman sikandan pinasikad to nangkahinang  
dan no buhi pad sikandan su tibo man sikan nalista  
duon. Aw to tibo mgo otow no wada kakita-i to ngadan  
duon to sikan listahan to nangkabogajan to kinabuhi no  
wada katapusan imbegbog isab  
duon to sikan kaeju.



To Ispiritu Santu dow to asawahon to sikan Karneru,  
no ko ita pa, kaotawan ni Jesus, ogpanawag no  
og-iling, "Andini kow." To mgo otow no ogpakadinog  
manawag isab no og-iling, "Andini kow."



Sikiyu no pig-uhaw, andini kow. Dawata seini wohig no ogpakabogoy to kinabuhi. Su inggad hintawa no ogkaliyag to seini ogbogajan to wada bajad.



Su pighigugma  
hilabi to Diyus to  
tibo kaotawan, kaling pigpaandini din  
sikan sobuukon no Anak din. Inggad  
hintawa no ogtuu dow ogsalig kandin  
konad on ogkastiguhon tongod to  
mgo sae din di ogbogajan nasi to  
kinabuhi no wada  
katapusan.



Roma 3:23 su to tibo mgo otow namakasae. Wada inggad sobuuk no nakatopong to himpit no sukud to Diyus.

Roma 6:23 Su ko iyan agayon ta to sae, iyan igsuhue din ita to kamatajon no kastigu no wada katapusan. Di ko nabogkot kid on duon ki Cristo Jesus no Ginuu ta, igbogoy puli ita to Diyus no Agayon ta to kinabuhi no wada katapusan.

Hibru 9:27 Ingkaanat to otow no kasobuuk da ogkamatoy, aw tapus to sikan, og-atubang on to Diyus agun hukuman.

Efeso 2:8,9 Su to kayuuy to Diyus iyan nakayuwas iyu pinaagi to pagtuu now kandin. Sikan no tabang imbogoy puli iyu, wada now kaunagi. Kaling wada ogpakahinambug su kona no iyan ogpakayuwas ita to madojow no mgo hinang.



Roma 10:9,10 Ko muangkong kow no Magboboot si Jesu-Cristo, aw ko ogtuu kow no pigbanhaw sikandin to Diyus, na, ogkayuwas kow. Su to otow no ogtuu ki Jesu-Cristo aw ogmatuudon din sikan pinaagi to kagi din, na, ogkayuwas sikandin aw og-isipon to Diyus no wadad sae.

Juan 3:16,17 "Su pighigugma hilabi to Diyus to tibo kaotawan, kaling pigpaandini din sikan sobuukon no Anak din. Inggad hintawa no ogtuu dow ogsalig kandin konad on ogkastiguhon tongod to mgo sae din di ogbogajan nasi to kinabuhi no wada katapusan. Su to pagpaandini to Diyus to Anak din to kalibutan, kona no iyan tuud din to pagkastigu to mgo otow, di agun no yuwason din sikandan pinaagi to sikan pigpaandini din."



1 Juan 5:11-13 Seini to pigmatuud to Diyus: Pigbogajan ki din to kinabuhi no wada katapusan, aw sikan no kinabuhi duon ki Jesus no Anak din. Kaling to otow no ogdawat to sikan Anak to Diyus iyan ogpakadawat to kinabuhi no wada katapusan. Di to otow no kona ogdawat to sikan Anak to Diyus kona ogpakadawat to sikan no kinabuhi. Sikiyu no migtuu dow migsalig on to Anak to Diyus iyan pigsuyatan ku to seini agun makasiguru kow no mey on kinabuhi now no wada katapusan.



Juan 14; 2 Corinto 5; Impaaha 4, 21, 22

Storyline by: Edward D. Hughes

Illustrated by: Lazarus  
and Alastair Paterson

Adapted by: Sarah S.

Manobo, Agusan NT (msm) © 1999, Wycliffe Bible  
Translators, Inc. All rights reserved.

<https://live.bible.is/bible/MSMWPS/MAT/1>

©2026 Bible for Children, Inc.

[www.M1914.org](http://www.M1914.org)

[www.bibleforchildren.org](http://www.bibleforchildren.org)

