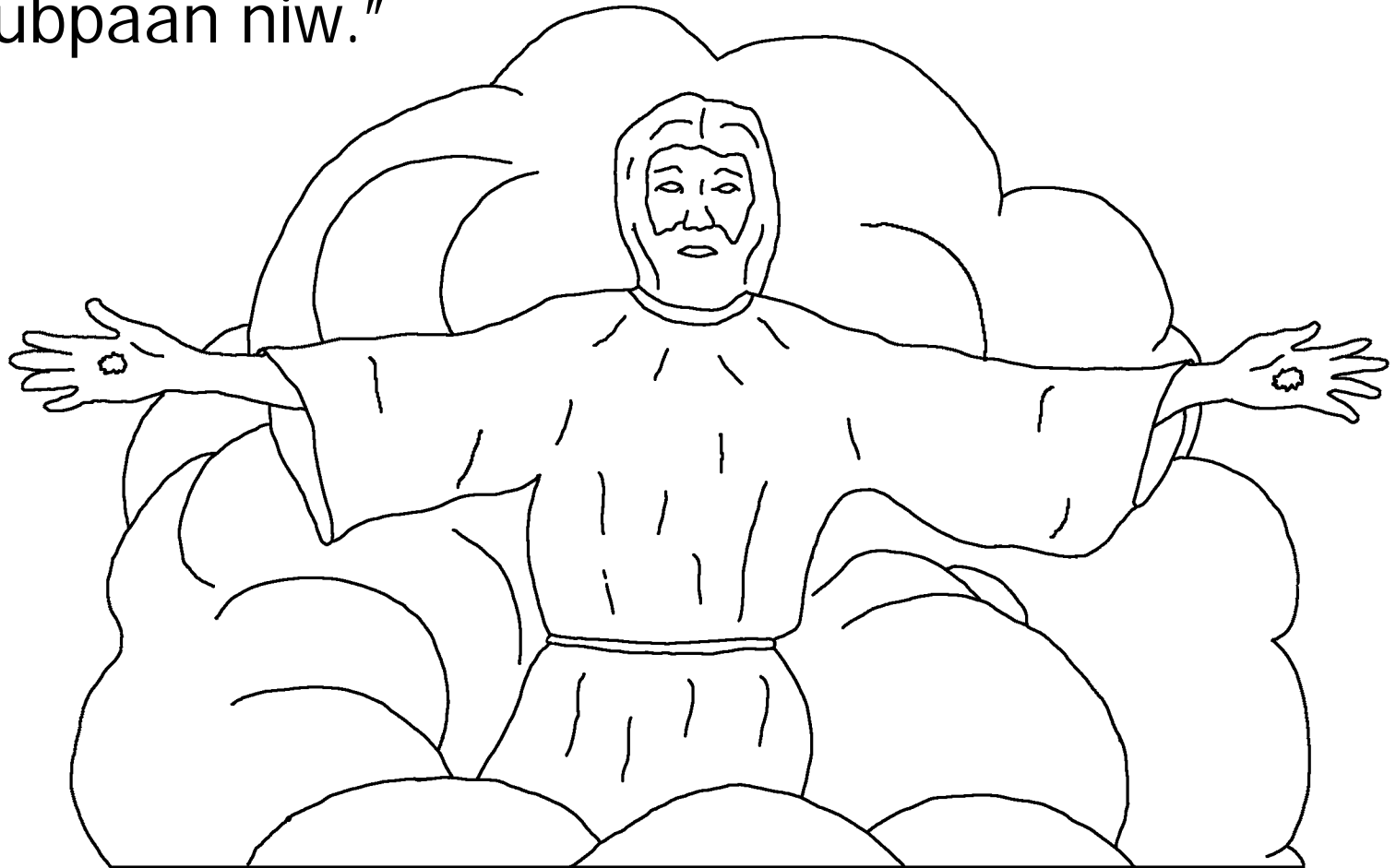


[www.BibleForChildren.org](http://www.BibleForChildren.org)

Juan 14



"Kenà mebmesakit is gehinawa niw," ke si Jesus,  
"kekenà, sarig kew te Megbevayà ne sarig kew zaan  
kediey. Mezakel is mence egkeubpaan diyà te  
ed-ubpaan te Amey ku, su ke kenà tutuu heini, wazè ku  
geina sikiyu kegiyi he edhendiyà a te ked-andam te  
egkeubpaan niw."

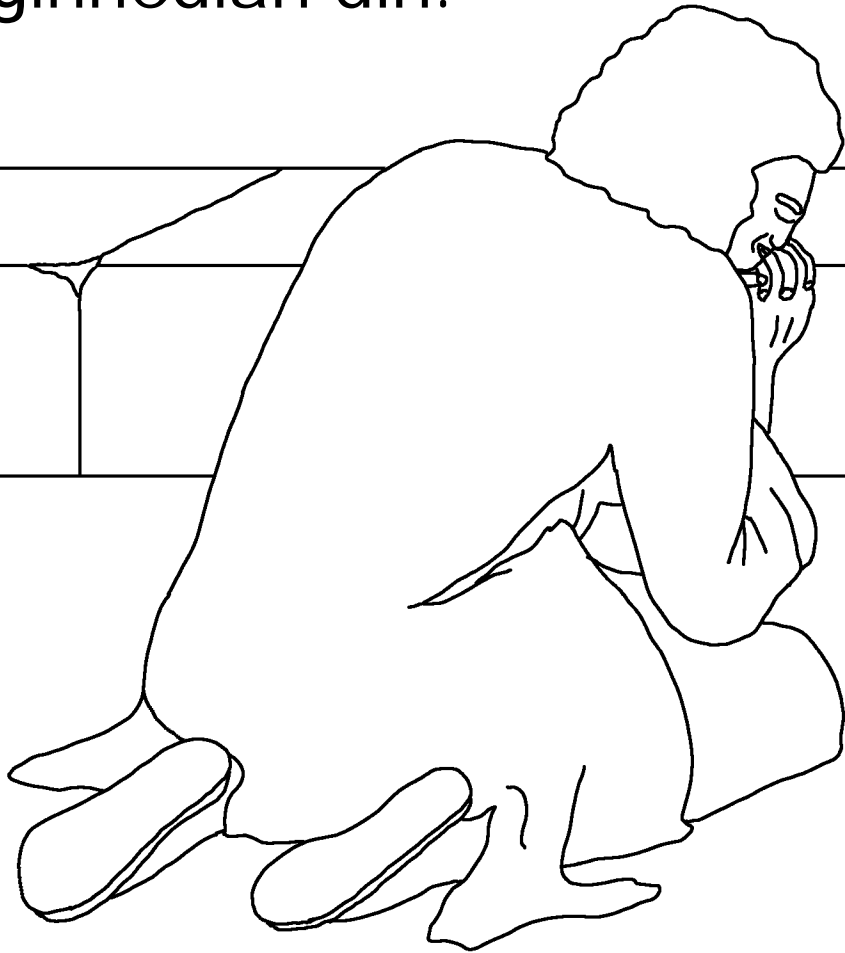


Ne emun ebpekehendiyà ad su ed-endaman ku sikiyu  
te egkeubpaan, edlikuan ku sikiyu ne ziyà ku sikiyu  
ed-uwita te ed-ubpaan ku. Ne zutun, ke hendei a,  
ne zutun kew zaan.



Iyan a si Juan is sevaha he suled niw tenged te kedtuu ku ki Jesus. Iring keniyu nekeantus a zaan te munge kemeresayan su sakup a

zaan te ginhedian din.



Tenged te ingkepauk te gubirnu is kebpenudtul ku  
te Lalag te Megbevayà wey is kebpenurù ku te  
impesavut ni Jesus, impesivey a ne ziyà a

ibpeubpà te sengepupulu  
he egngезanan te



Patmus.

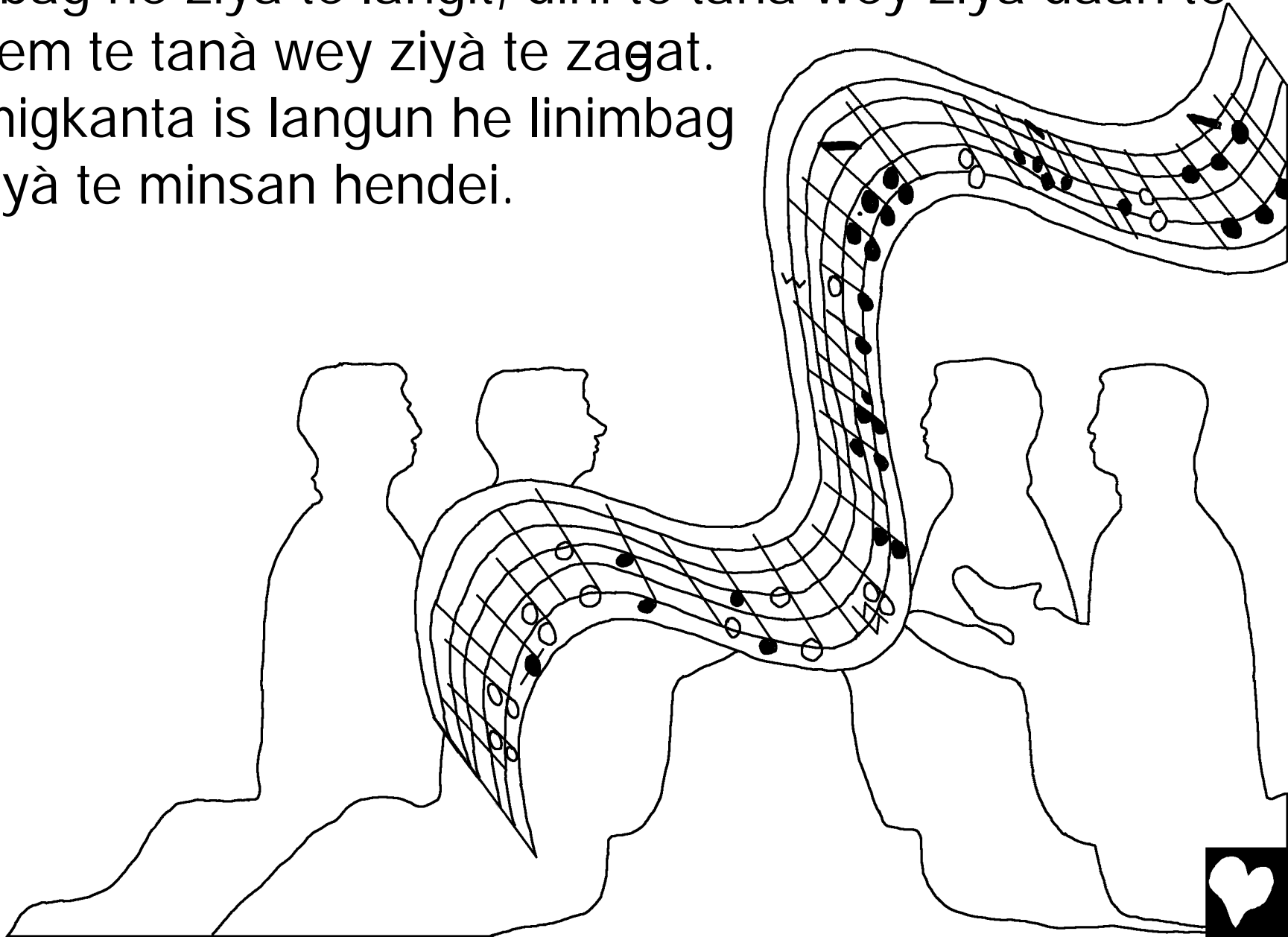


Ne zutun impehendiyà a te Wagas he Mulin-ulin. Ne hein diyè e en te langit, neehè ku is pinuuwà te edhadì ne zuen ebpimpinuu zutun.

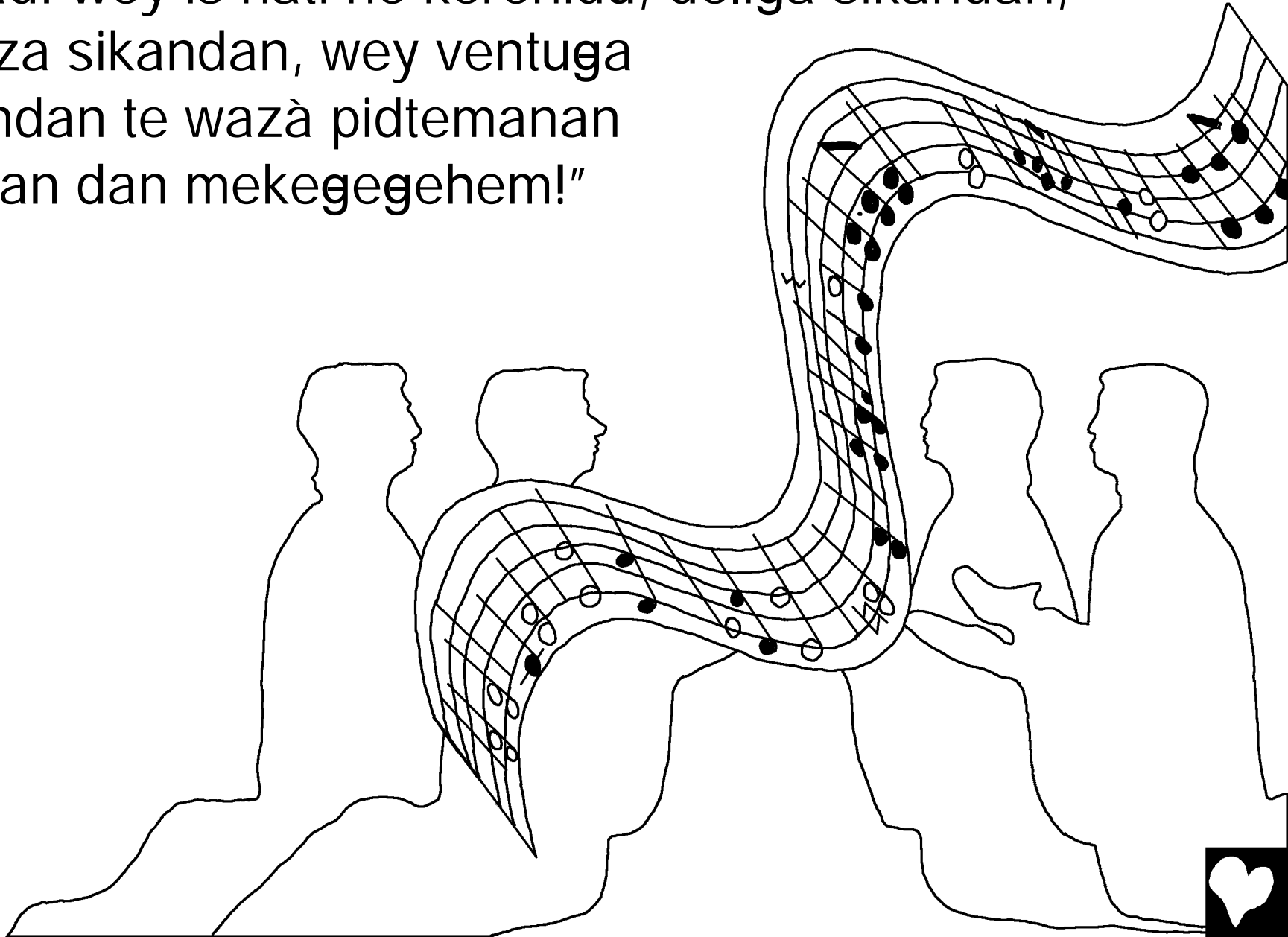


Ne zutun nezineg ku is kegkanta te langun he munge  
linimbag he ziyà te langit, dini te tanà wey ziyà daan te  
zizalem te tanà wey ziyà te zagat.

Ne migkanta is langun he linimbag  
he ziyà te minsan hendei.

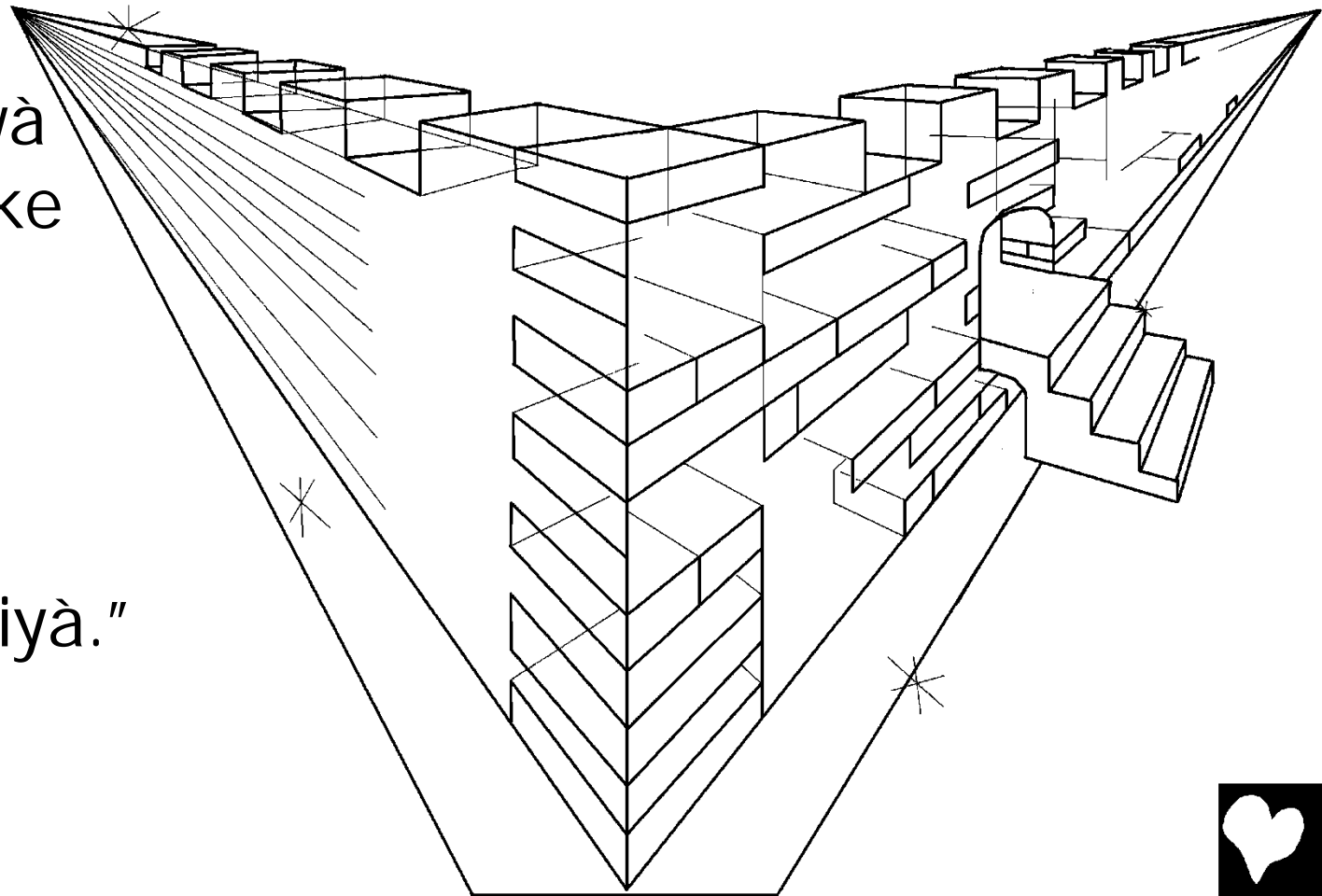


Ke sikandan te, "Is ebpimpinuu ziyà te pinuuwà te edhadì wey is nati he kerehidu, deliga sikandan, tehuza sikandan, wey ventuga sikandan te wazà pidtemanan su iyan dan mekegegehem!"

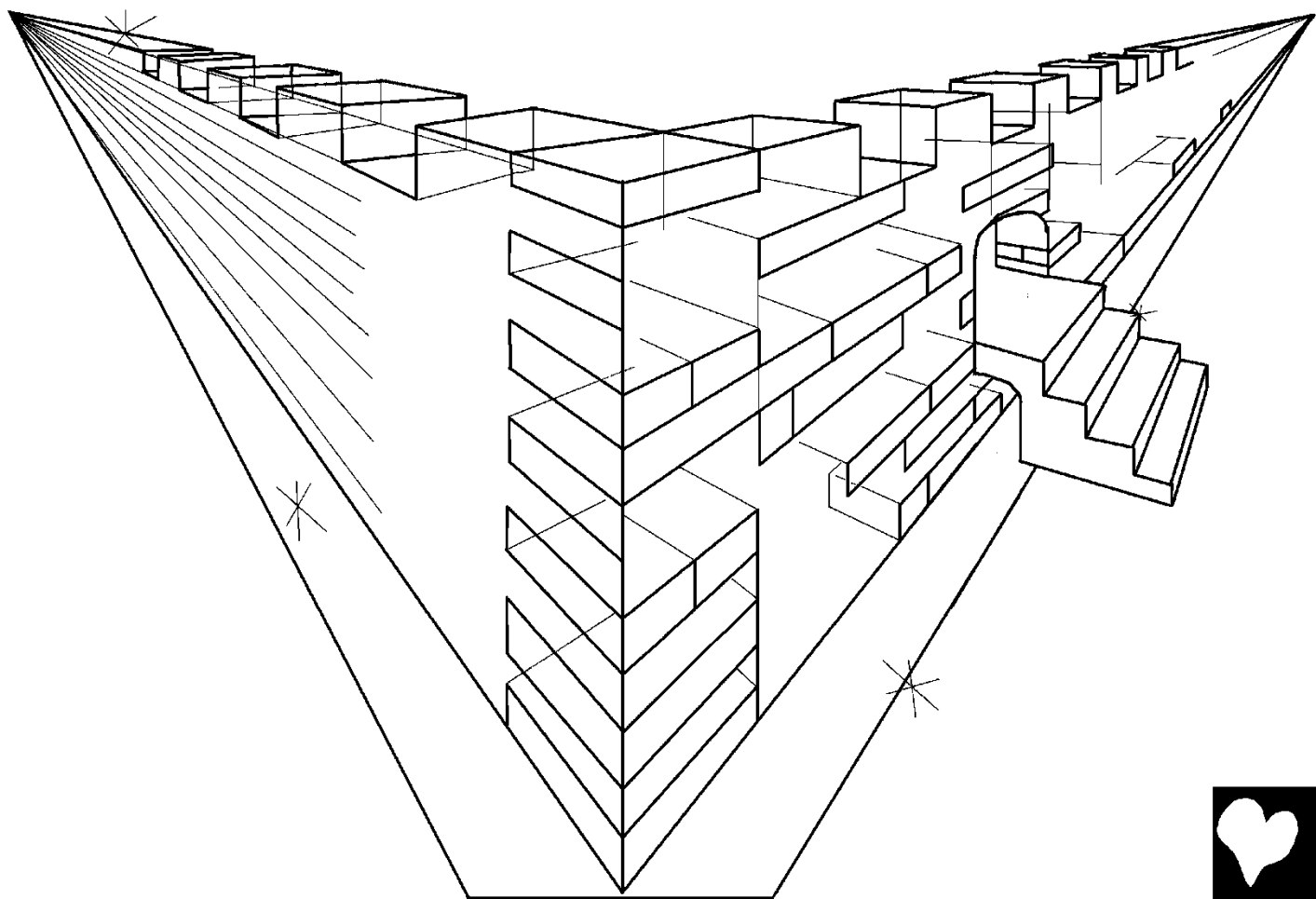


Ne zutun neehè ku is inged te Megbevayà he Vegu he Hiruselim he idlugtanà he ebpuun te Megbevayà diyà te langit. Utew mekempet haazà is inged su is kekempet din ne iring te kekempet te vahi he ed-esewaan he nepurungan mebistiya. Ne nezineg ku is egkagi he utew mezaging

diyà te pinuuwà te edhadì, ne ke sikandin te, "Mid-amur en human is Megbevayà diyà te menusiya."



“Ed-amur sikandin kandan ne egkehimu sikandan he munge gin-etawan din. Iyan sikandin duma zan wey ed-ezopen dan he Megbevayà.”



Ne, impaahà kediey zutun te velinsuguen is wahig he egngезanan te Wahig he Ebpekevegey te Untung. Ne haazà is wahig ne utew metingew iring te ispihu. Ne ziyà ebpuun haazà te pinuuwà te Megbevayà he iyan sikan is pinuuwà te nati he kerehidu.

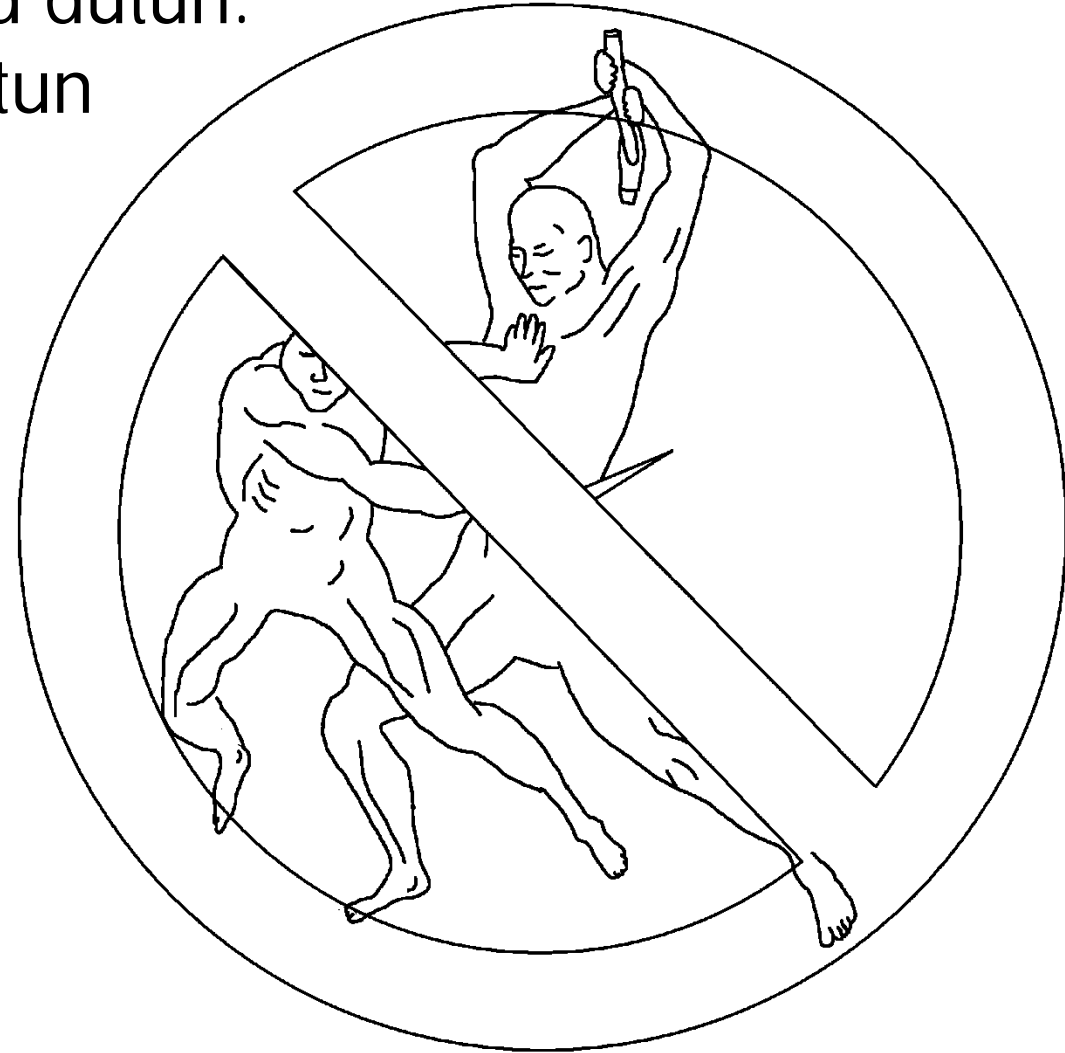


Ne kenè en daan kinahanglan is anlag te andew wey vulan he idtayew zutun su haazà is inged, ed-enlagan en te mekegegehem he anlag te Megbevayà; sikan is nati he kerehidu ne iyan sulù dutun.



Iyan, wazà minsan hengkey he mezaat wey is minsan hentei he ebpenurù te tarù wey is etew he ed-azap te ledawan he ebpekeseled dutun.

Iyan dà ebpekeseled dutun is minge etew he inlista is minge ngazan dan dutun te libru te nati he kerehidu he zutun idlista is ebpemegayan te untung he wazà pidtemanan.



“Ebpemunasen din en is munge luhà diyà te munge mata zan ne zutun wazè en maan ebpatey, ne wazè en maan ebpekesinegew wey ebpekelelendag. Ne wazè en maan minsan hengkey he ibpekeantus su nahanew en man is nehuna he kelibutan.”

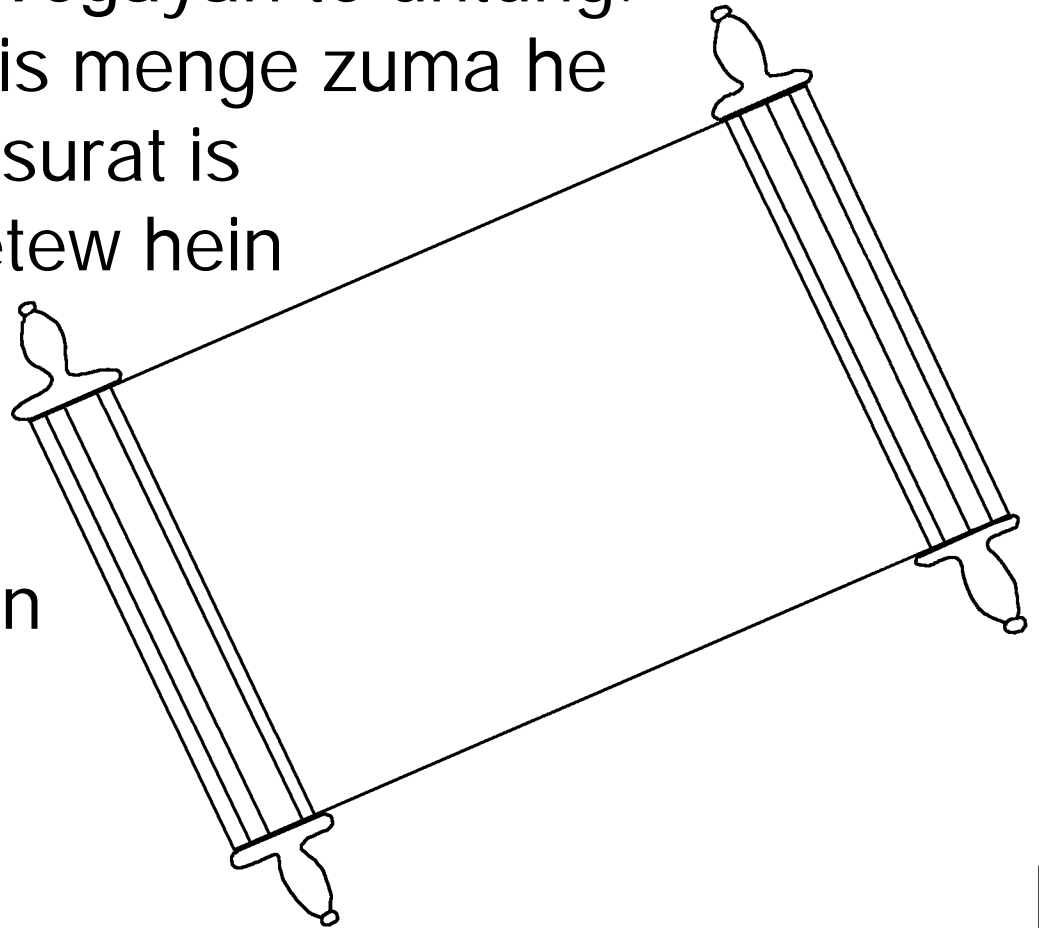


Ne haazà is inged, wazà dutun minsan hengkey he midrewakan te Megbevayà. Ne zutun is pinuuwà te Megbevayà he iyan pinuuwà te nati he kerehidu. Ne ed-ezopen is Megbevayà te minge suluguen din.

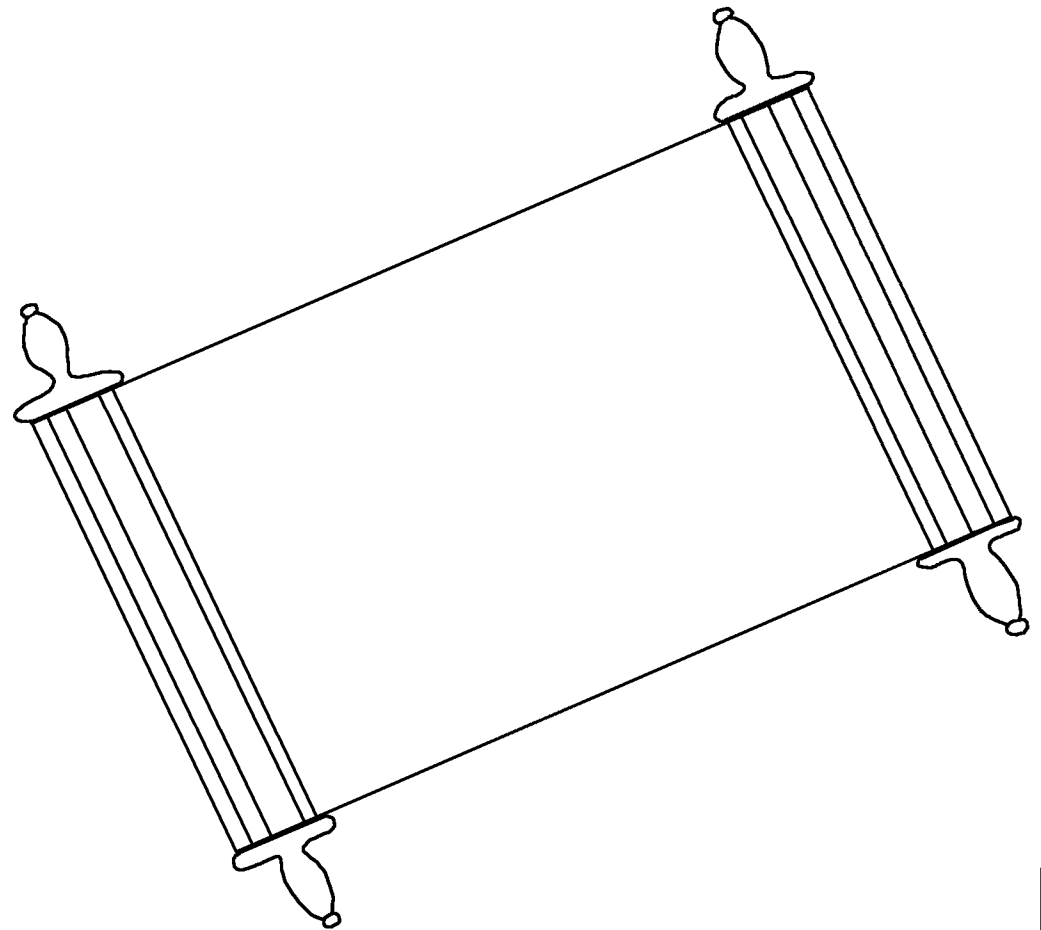
Egkeehè dan is paras din ne haazà is minge suluguen, edsuratan is minge vuked dan te ngazan din.



Ne neehè ku is langun he munge minatey, deisey is pid-etawan din se zekelà is pid-etawan din he ziyà ebpemenhithitindég te etuvangan te pinuuwà te edhadì. Ne mibekar is munge libru ne mibekar zaan is libru he zutun ilista is egkengevegeyan te untung. Ne mibpemekar zaan is munge zuma he munge libru he zutun isurat is mid-ulaula te munge etew hein uuyag dan pa su edhukuman sikandan tenged te mid-ulaula zan su nekesurat dutun te munge libru.



Is minsan hentei zutun he wazà ilista is ngazan din diyà te libru te untung, in-agbur zaan sikandin diyà te ranew he egkeregreg.



Ne kes Wagas he Mulin-ulin wey kes egkeesawa te nati  
he kerehidu, ed-umew zan is egkagi te, "Tuu kew en."  
Ne sikan is nekezineg kayi, ne kinahanglan he  
med-umew zaan he egkagi te, "Tuu kew en."



Is minsan hentei keniyu he egkemezahan, wey is minsan hentei he egkesuat, dewata zin en he wazà bayad is wahig he ebpekevegey te untung he wazà pidtemanan.



Utew mahal ziyà te gèhinawa te  
Megbevayà is tivuuk menusiya, ne  
tenged kayi minsan sikan is budtung he  
Anak din wazè din menuguni,  
kekenà, impehendini zin su wey  
is langun edtuu kandin, . . .



. . . kenà mesiluti is gimukud dan,  
kekenà, mevegayi sikandan te  
untung he wazà pidtemanan.



Ruma 3:23 Nekesalà is tivuuk he menusiya ne utew en sikandan meziyu te ketulusan he ibegey te Megbevaya.

Ruma 6:23 Ke zuen etew he ebpevayabayà te suat te mekesesalà he lawa zin ne zuen silut kandin he iyan is kemetayen he wazè din pidtemanan. Iyan, is etew mulà he edtuuwan din si Jesu Kristu he Nengazen tew, duen ibegey kandin te Megbevaya he iyan is untung he wazè din pidtemanan.

Hibriyuhanen 9:27 Imbanglis te Megbevaya diya te menusiya is kebpatay te kesevaha, ne egkeipus dutun te kebpatay zin ne edsusiyen te Megbevaya is munge ulaula zin.



Ipisu 2:8,9 Su tenged dà te gagew zin kenita, midlibri ki zin te silut dutun te kebpeketuu ta. Wazè ki melibri pinaagi te kenita he vaal, kekenà, imbegey zà kenita is untung he wazè din pidtemanan. Ne tenged dutun, wazà etew he igkezantal zin is kedlibriya kandin te silut su kenà iyan is kandin he ked-ul-ulaha te meupiya ingkelibri zin.

Ruma 10:9,10 Ne emun edtudtulen niw ziyà te zuma he iyan en Nengazen si Jesus, ne emun hustu is kedtuuwi niw he mibanhew sikandin te Megbevayà, egkelibri kew te silut te Megbevayà. Su pinaagi te isip ta ke edtuu ki ed-isipen ki te Megbevayà he metazeng, ne zutun ebpenudtulen ta ziyà te zuma is kedtuu ta ne human egkeheget is kedlibriya kenita te silut.



Juan 3:16,17 Utew mahal ziyà te gèhinawa te Megbevayà is tivuuk he menusiya, ne tenged kayi minsan sikan is budtung he Anak din wazè din menuguni, kekenà, impehendini zin su wey is langun he edtuu kandin, kenà mesiluti is gimukud dan, kekenà, mevegayi sikandan te untung he wazà pidtemanan. Is Megbevayà, wazè e zin is Anak din sugua zini te kelibutan te kedsilut te menusiya, kekenà, su wey pinaagi kedì melibri is menusiya.



1 Juan 5:11-13 Is Megbevayà, imbegey zin kenitew is untung he wazà pidtemanan; ne ziyà ebpuun heini is untung te Anak din he si Jesus. Iyan heini sikan is kebpenistigus kenitew te Megbevayà. Is minsan hentei he nekidsevaha te Anak te Megbevayà, duen din en untung he wazà pidtemanan. Is minsan hentei he wazà mebpekidsevaha te Anak te Megbevayà, wazè din untung he wazà pidtemanan. Sikiyu is nemeketuu en te Anak te Megbevayà, ebpesuratan ku sikiyu wey niw metueni he zuen niw en untung he wazà pidtemanan.



Juan 14; 2 Kurintu 5; Impezayag 4, 21, 22

Storyline by: Edward D. Hughes

Illustrated by: Lazarus  
and Alastair Paterson

Adapted by: Sarah S.

Manobo, Western Bukidnon NT (mbb) © 2001, Wycliffe  
Bible Translators, Inc., All rights reserved.

<https://live.bible.is/bible/MBBWPS/MAT/1>

©2026 Bible for Children, Inc.

[www.M1914.org](http://www.M1914.org)

[www.bibleforchildren.org](http://www.bibleforchildren.org)

