

www.BibleForChildren.org



Jon 14



“Maŋ-ŋaŋunji manebu paio beusembe so maneru goinebi. Anutu manesiŋ gainebi eru noŋ oŋuakon manesiŋ nuru goinebi. Nonde Mamare kae qoruineo pi maŋine boakon pega. Oi so pena ine, ŋoŋore buŋo inŋi minobo: Nonji oo roperu ŋoŋore ŋeŋe pi baku bobiangabemiŋ.”



“Nonji bonieru raru roperu ŋoŋore ŋeŋe pi baku bobiangabemiŋyoŋ, nonji kae gobemiŋ, ŋoŋoji oŋuakoŋ noke oo moko goniminde aŋi manego. Ore eru nonji moke kirieru wareru oga yabebe paibe ropenimiŋ.”



Jon nonji n̄on̄ore mān̄kekerisie murān̄ fukego.
Kristoke qakatobe in̄oyon̄unde qorumango rua
nuru on̄ga nareko n̄in̄igoji joisereren̄

enarebi n̄erin̄etatan̄ eego.



Oi njonoke moko maneru kariere yamenj keku
sanangaru dimago. Anuture Biŋe buŋo
misaueku Yesure funje kitingaku

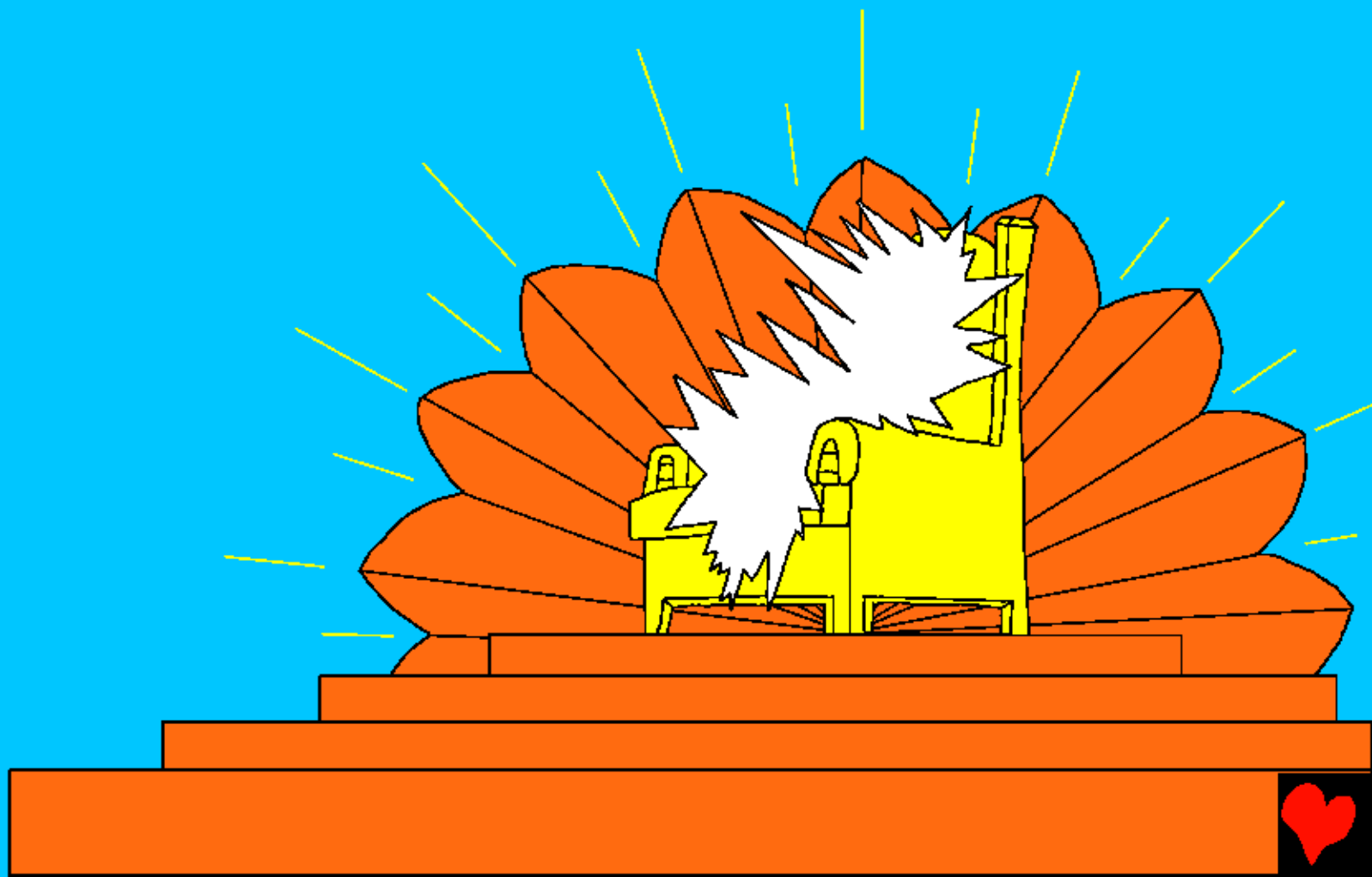
mitaningaru gobonj ore
oga nuru raru nu tinaine



Patmos oo rua nubi
gobonj.



Oṅu najime oo akon Moro Tiriineji kema nume kobiineji paineo ropeko ya ini ṅonebon: Sombun kae mango morumbon ṅeṅe ṅeko moji oo ṅeya.



Onu kiki keku mitenᅇ gabi kiki
kubu mo yonᅇoji inᅇ kebi manebonᅇ:
Anutuᅇi gogoke bofuke yabeya,
yonᅇoji sosowo kiki kebi manebonᅇ.



Sombunjo gogobi, morenjo gogobi, kome kaeo eru
koe paiineo gogobi, yonjoji sosowo miyanun qodureru
kiki inji kebu, “Morumbon neneo
nega eru Lama madeine nihoji
noko mitej napegobenej. Mifia
Rauine nokore tinabiye mi
sogueegobenej. Daman so
kuririquran
natebenej usun
Rauine oi
tatarine tomiri
go ropenimi.”



Jerusalem gariine, siti tiriine oi Sombungo Anuture kaeone wakiko ḡoneboḡ. Siti oi bobianḡa forebi ḡone aḡiineke iḡi fukeya: ḡigo suanḡeḡinere mariku ḡone aḡiineke ketebi ḡi biḡeineke ḡodureiḡ ore babajawe ee eru jaueru kuririineke dimaga, siti oiḡi ore so fukeyo ḡoneboḡ.



Oi ḡoneru dimaku morumboḡ ḡeḡeone buḡo mo fukeko manebe sanaḡine oḡgaku iḡi naḡiya, “ḡone, Anutire piḡi oi ḡiḡigo botuyaḡuḡgo wakiru pega. Anutuḡi botuyaḡuḡgo gome iḡoke gobi iḡoyone ofoḡ Anutuyaḡuḡ fukeru yoḡoke go ropeiḡ.”



Ore ɲadio Sombuɲ mimererenɲ oiji gogo sananɲinere obu jɲoɲine nadume Anutu eru Lama madeine yokore morumboɲ ɲeɲeone igomuruɲgaru wareru obu fusiine fukeya. Ore obu oi sogo mobeine mobeine buruburuɲaɲuɲke kerisieru tamaegobi, ore so gbagbataeɲine fukeya.



Anuture kuririquranji siti batamae yareme Lama madeineji doiyanuᅇ fukega. Ore eru wegi ayon tamaenimi ore so embimbiᅇgaegobi.



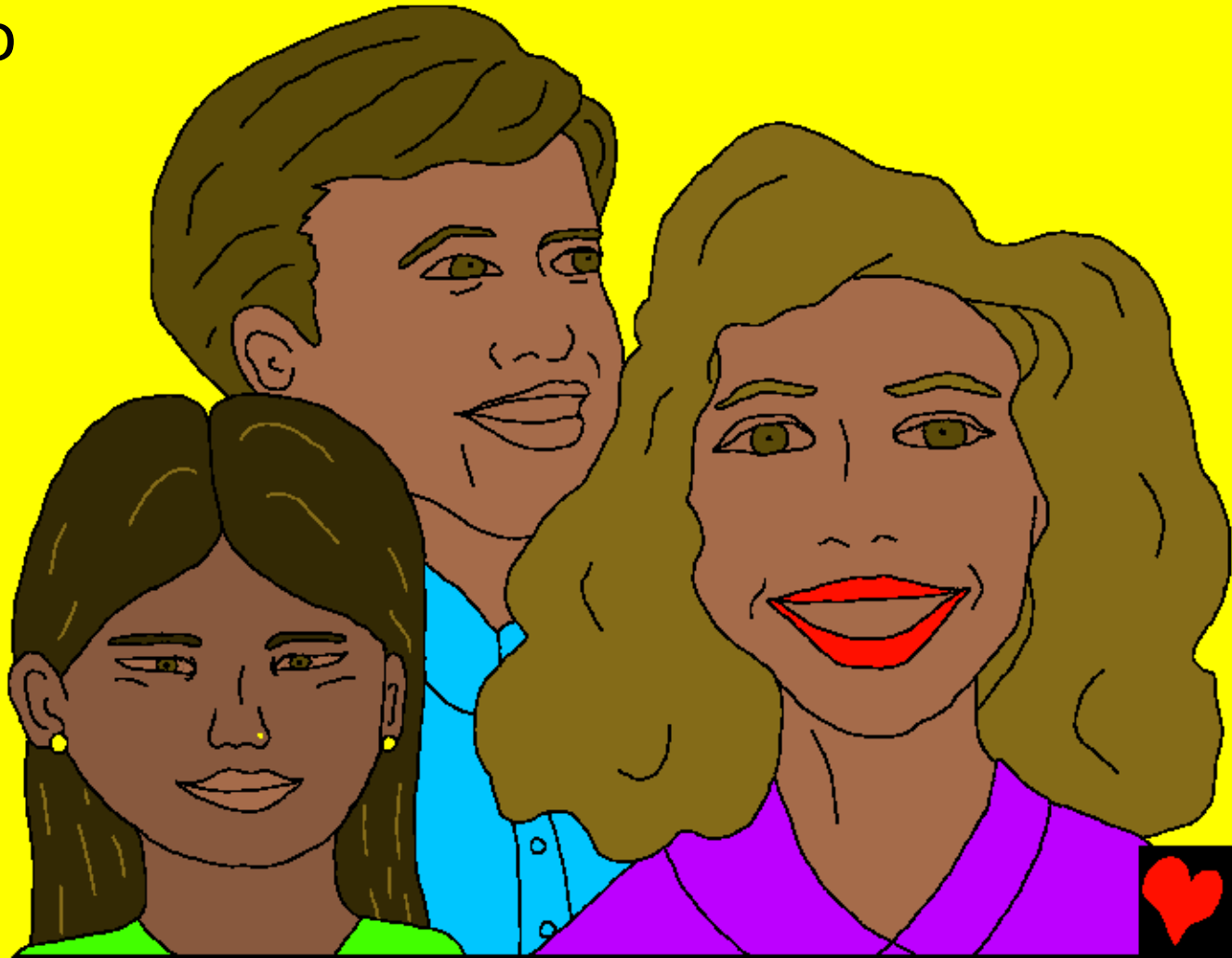
Ŋinigo tinayanun gogo sananinere tina buru buk
manjo quranjabi pega, yonjoji akon siti oo ropenimin.
Lama madeineji tina buru buk
oi sinan gaega. Moji manine
kejigaga me wuwunun
anjin mamagiineke eru
bujo ikoine miega,
injoji oo ropeinjo
embimbinjan. Onu.



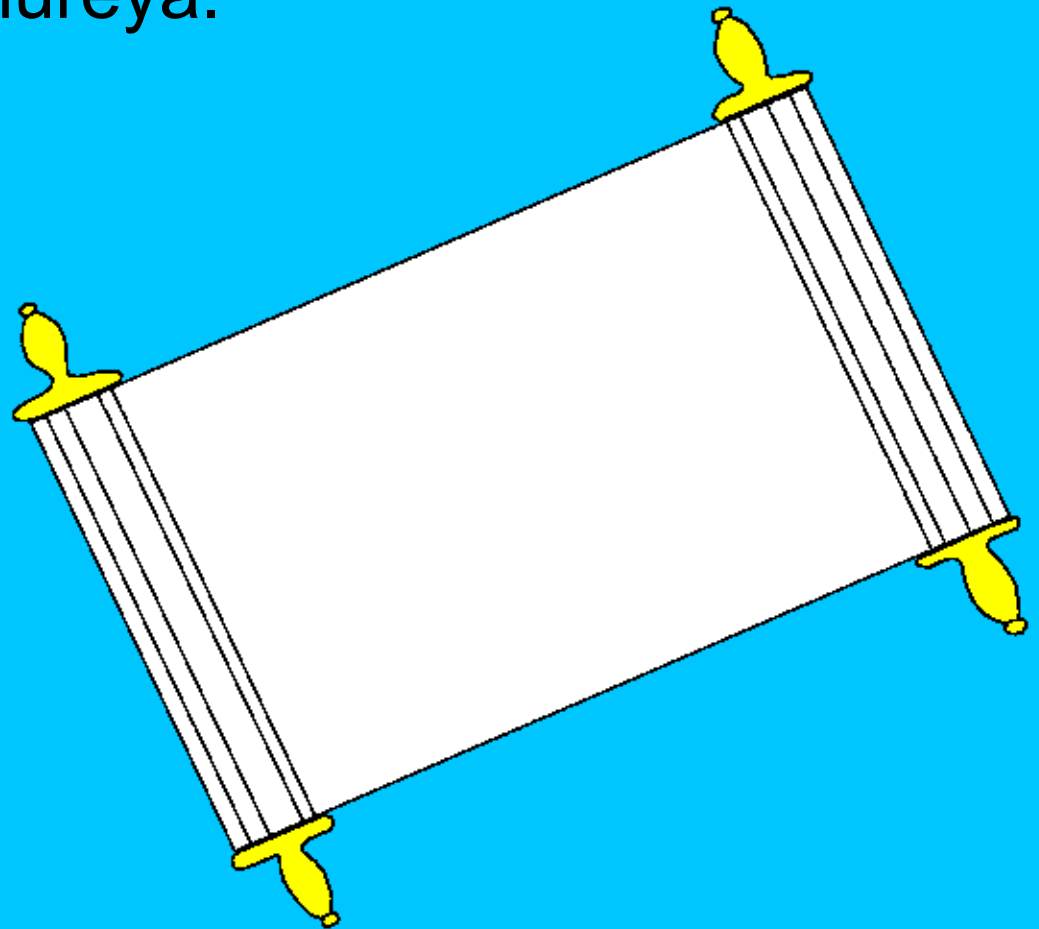
“Yonjoke goku jinjo obuyanun
sosowo ketaninga forein. Ya
sosowo rone peya, oiji matae
foreya. Ore eru moke so komebi
jingen so kenimin eru jikigaru
joisereren mo so manenimin.
Ya more so embimbingaru
kuyonimin.”



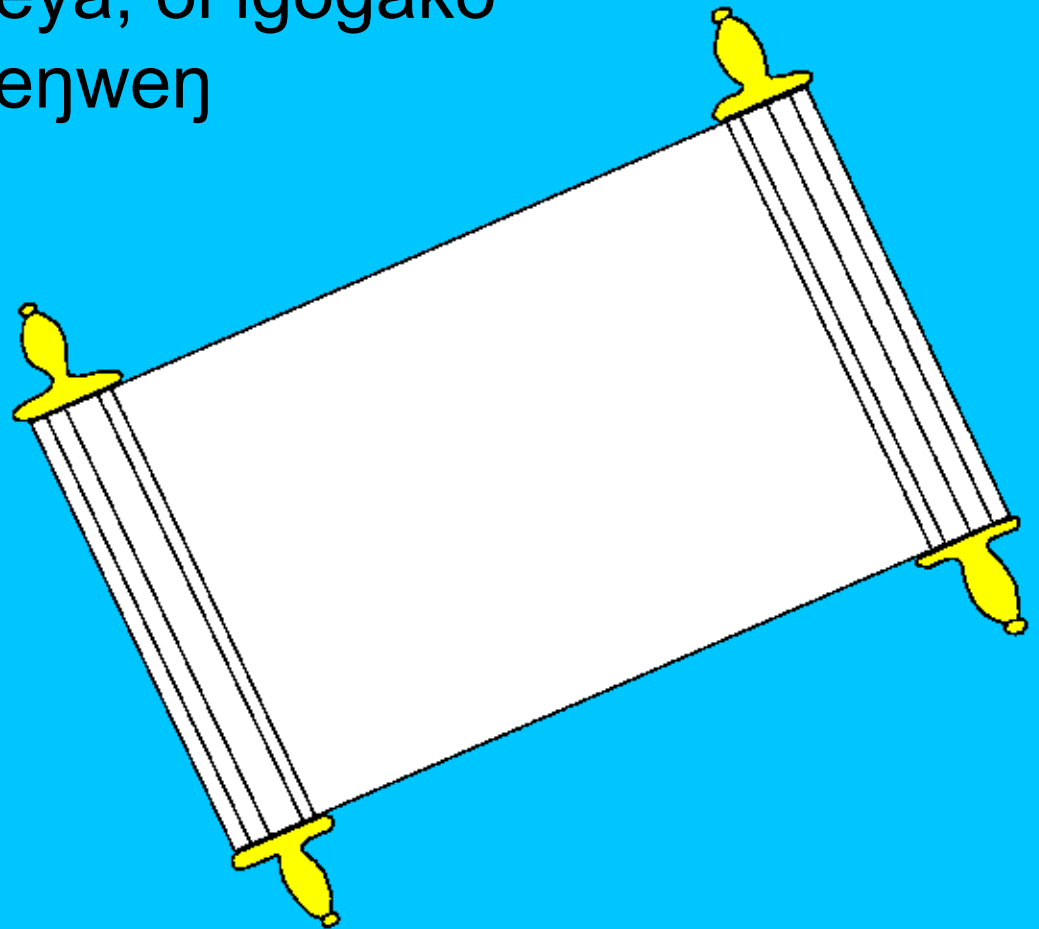
Moji mo so jikigaru ogoine sowegaru qaisogain. Anutu eru Lama madeine yokore morumbon nenyeyakunji oi siti oo peko Lama madeinere gio bobo ninigopuji kiñan qa teegobi. Kiñan qa teru jinno maiine noneru Anuture tina maiyanunngo bakatobi pein.



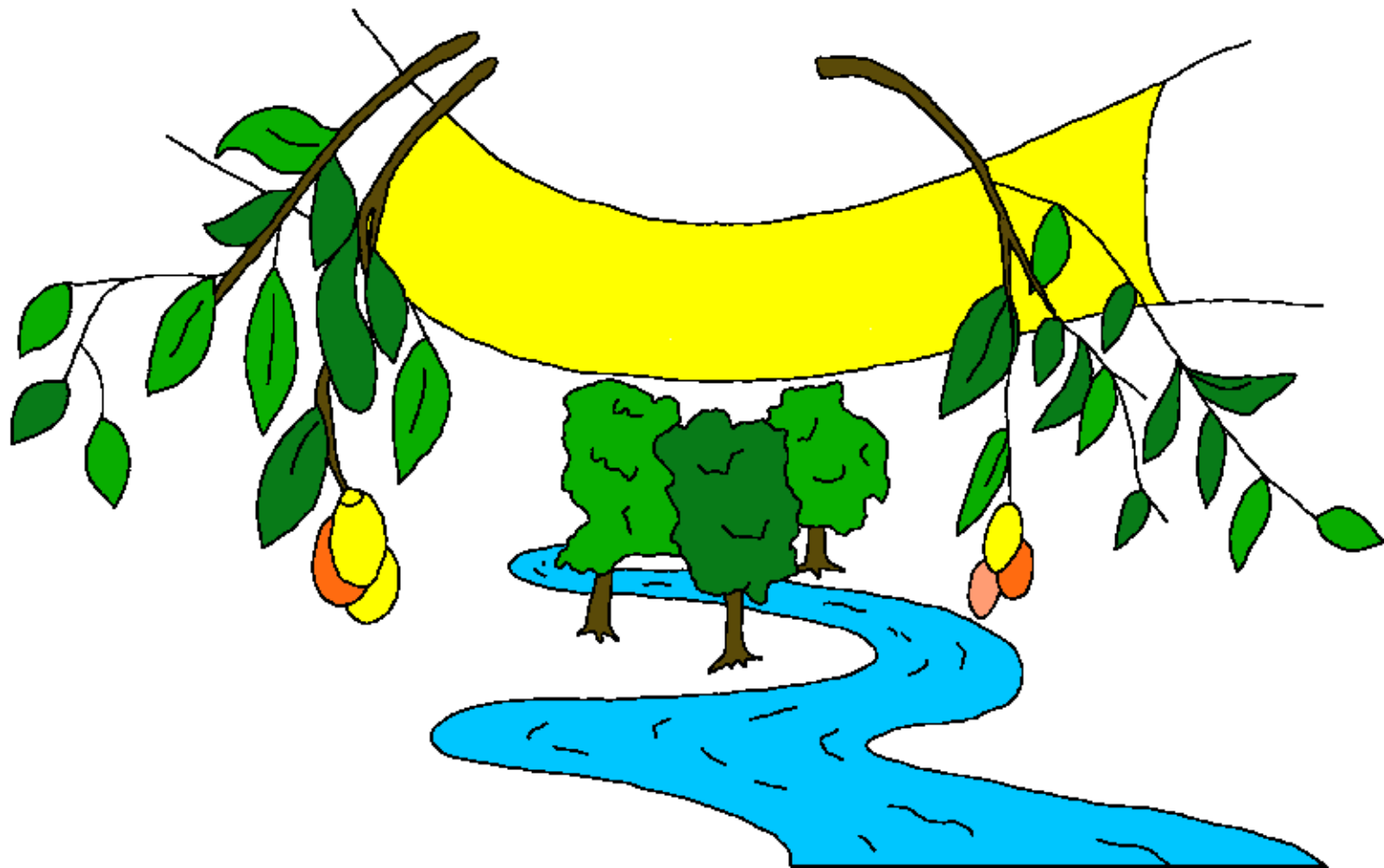
Ra tomirebire njjigo komiine ropekiine eru
wakiqoqoine njone yabebe morumbon njene manfunjo
dimabi Anutuji buk papiaine papiaine qoromureya.
Papia ogoine mo tinaine gogo sananjine tina buru
buk oi onjakoŋ qoromureya.



Qoromureru njigigo komiine yonjore buŋo osoeko
eeboboyaŋunde binaŋ buk papiago quraŋgabi pega,
injoji ore so oseru njigigo mitari yareya. Anutuji more
tina gogo sanaŋinere tina buru buk maŋgo so
quraŋgabi peko bofukeya, oi igogako
yon misi boruŋ jaku wenjwen
qaku dimaega, ore
korugo rakaya. Onu.



Moro Tiriine eru njigo binje yokoji inji miegobire, “Yesu, go bio ware.” Onju mibire maneniminj, njono onjuakon inji miinebi, “Yesu, go bio ware.” Moji obure manega, inoji warenonj. Moji gogo sanañinere obure anji manega, inoji wareru oi yaunj roru sabareine. Onju.



Ore funjine oi inji: Njingo oi manesin
gaegobi, yonjoreone moji egu sibirigaingo
eru Anutuji moren so jengoma manjoko
enoreya. Nonun sosowo qowirieru
gogo sananinere binje fukekimin
ore eru Madeine moakon
yobu oi noreya.



Rom 3:23

Ŋiŋigo sosowo noŋuŋ agiburaŋ eku Anutire kuririqurande eru embimbiŋgagobeneŋ.

Rom 6:23

Agiburaŋ ebeneŋ Rauineji furi noreko kome sanaŋine bofukekiminiŋyoŋ, Anutire yaunŋ oi seŋgiŋbaŋgiŋ gogo. Kristo Yesu Ofoŋnoŋuŋke qakatoru dimakiminiŋ ine, sanaŋgaru tatariine tomiri go ropekiminiŋ. Oŋu.

Hibru 9:27

Moreŋ ŋiŋigo noŋunde buru oi iŋi pega: Noŋuŋ damaŋ mogo komekiminiŋ eru ore ŋadio Anutuji buŋonoŋuŋ osoeru mitari noreiŋ.



Efesus 2:8,9

Anutu manesiŋ gabi yaunmoririineji munan qa nareme moke qowiriebuŋ. Ŋoŋo-ŋaŋe maŋgo ee eku oŋuine oiji so qowiriebuŋyoŋ, Anutuji yaunjinere eru qowirie nabeŋa. Ŋoŋo-ŋaŋe ya mo basarigabuŋ ore eru so qowiriebuŋ. Moji mo iŋoyoŋunde saki egu ba ropeiŋ ore eru yaunmoririinere akoŋ oŋu eŋareŋa.

Rom 10:9,10

Anutuji Yesu bogboreme komegone pakereŋa. Goji buŋo oi maŋ wombunŋgoji manesiŋ garu mi bibigoji “Yesuji Ofonŋe fukega,” oŋu mifukege ine, iŋo munan qa gareko qowiriemiŋ. Go maŋ wombunŋgoji Biŋe buŋo manesiŋ gande Anutuji buŋogo mitarime posikemiŋ eru mi bibigoji Yesu mifukende munan qa gareko qowiriemiŋ.



Jon 3:16,17

“Ore funjine oi inji: Ŋinjigo oi manesiŋ gaegobi, yonjoreone moji egu sibirigainggo eru Anutuji moreŋ so jengoma manjoko enoreya. Noŋuŋ sosowo qowirieru gogo sanaŋinere biŋe fukekimiŋ ore eru Madeine moakoŋ yobu oi noreya. Ŋinjigo moreŋ so go ragobeneŋ, Anutuji Madeine noŋunde buŋo mitariinggo ore matayoŋ, Madeineji munan qa noreko kantri so qowirieru seŋgiŋbaŋgiŋ fukekimiŋ ore eru soreme moreŋgo wakiya.



1 Jon 5:11-13

Anutuji bunjoine inji kitingaku miya, “Nonji gogo sananjine nareinj ore mibe, nake Madeneji gogo sananjine ore kukure Rauine fukega.” Injore Madeke qakatoru goga, injoji gogo sananjine raugaru goga. Anutu Madeineke so qakatoru goga, injoji gogo sananjine so raugaru goga. Onju. Maŋ-ŋaŋuŋ kerisieru Anutu Madeinere tina oi manesinj gaegobi, nonji quraŋ yo ŋoŋore quraŋgago. Gogo sananjinere biŋe fukegobi, ŋoŋoji ore fuŋine poretinj mane mukuniminj ore eru yo quraŋgago.



Jon 14; 2 Korint 5; Bararinj 4, 21, 22

Storyline by: Edward D. Hughes

Illustrated by: Lazarus
and Alastair Paterson

Adapted by: Sarah S.

Mape NT (mlh) © 2014, Wycliffe Bible Translators, Inc.
All rights reserved.

<https://live.bible.is/bible/MLHPNG/MAT/1>

©2026 Bible for Children, Inc.

www.M1914.org

www.bibleforchildren.org

