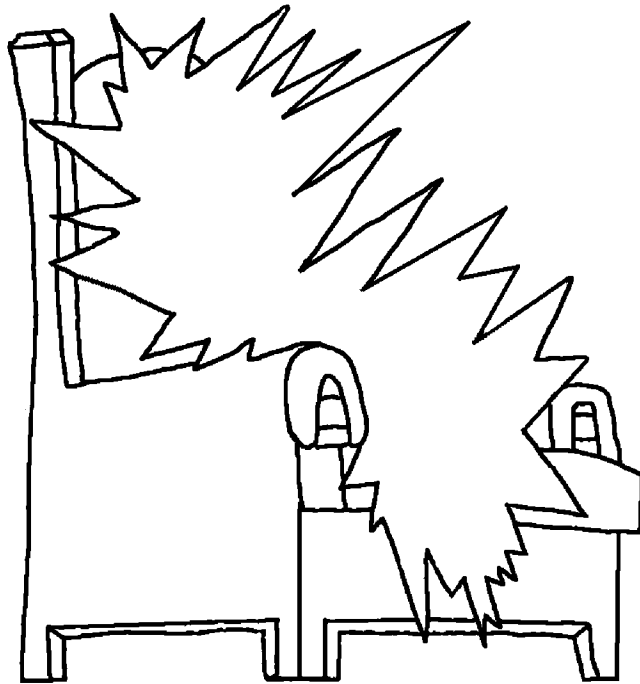


[www.BibleForChildren.org](http://www.BibleForChildren.org)



## Yoã̃m 14



Ta Yeyox te: 'Ākuxa nōg hok. 'Āpu 'ākuxa māhām  
Topa kopah. 'Āpu 'ākuxa māhām 'ūgkopah kamah.  
Yōgnū 'ātak pet kopa' pip pip'ax punethok. 'Ūgmōg  
putup, nūy 'āpip'ax max mīy. Paxpu te kaxīy 'ohnāg,  
kopxix xa' xuktux 'ohnāg nūhū'.

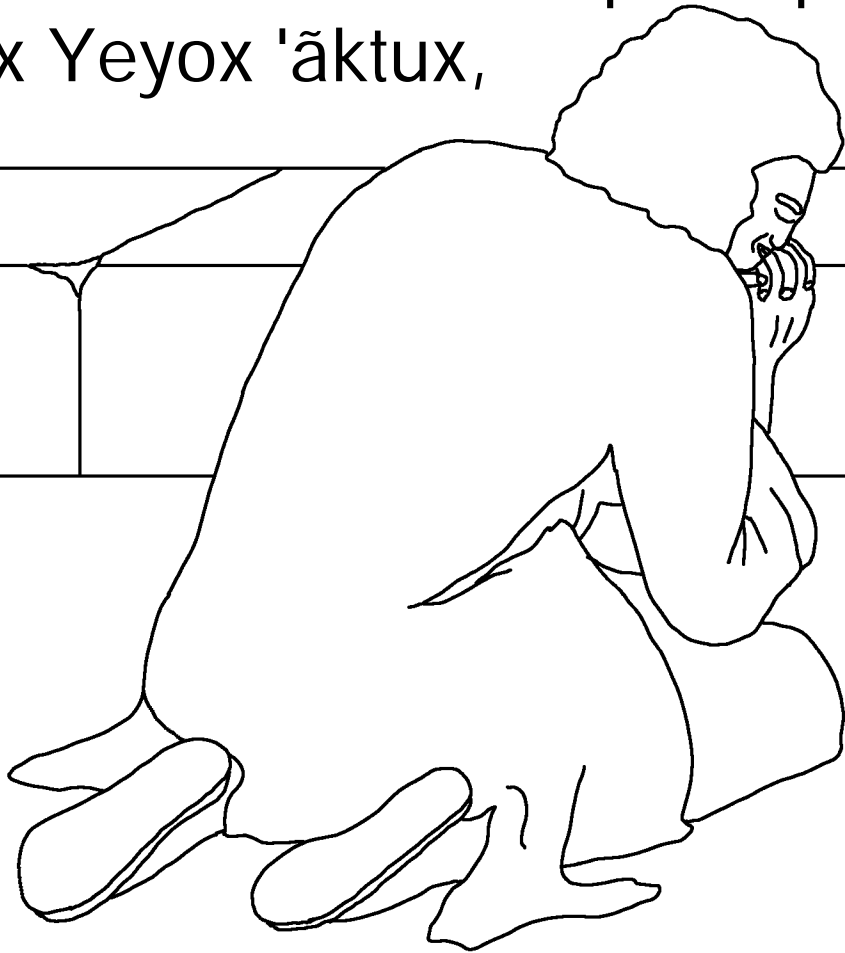


'Ūgmōg putup, tu' max mīy putup 'āpip'ax, tu putpuk  
nūn putup, tu 'āxop mōgāp-tup, xayīy pip 'āpip'ax  
tu 'ūgmūtik.



Ha tak mūn yā 'ātaknōy Yoām. 'Āte' xūy hā tot, yā  
'āxop putuk. 'Ūkxip Topa te nōm xat xop kopah  
'āxop mūtik, tu Yeyox tuk xip ka'ok 'āxop

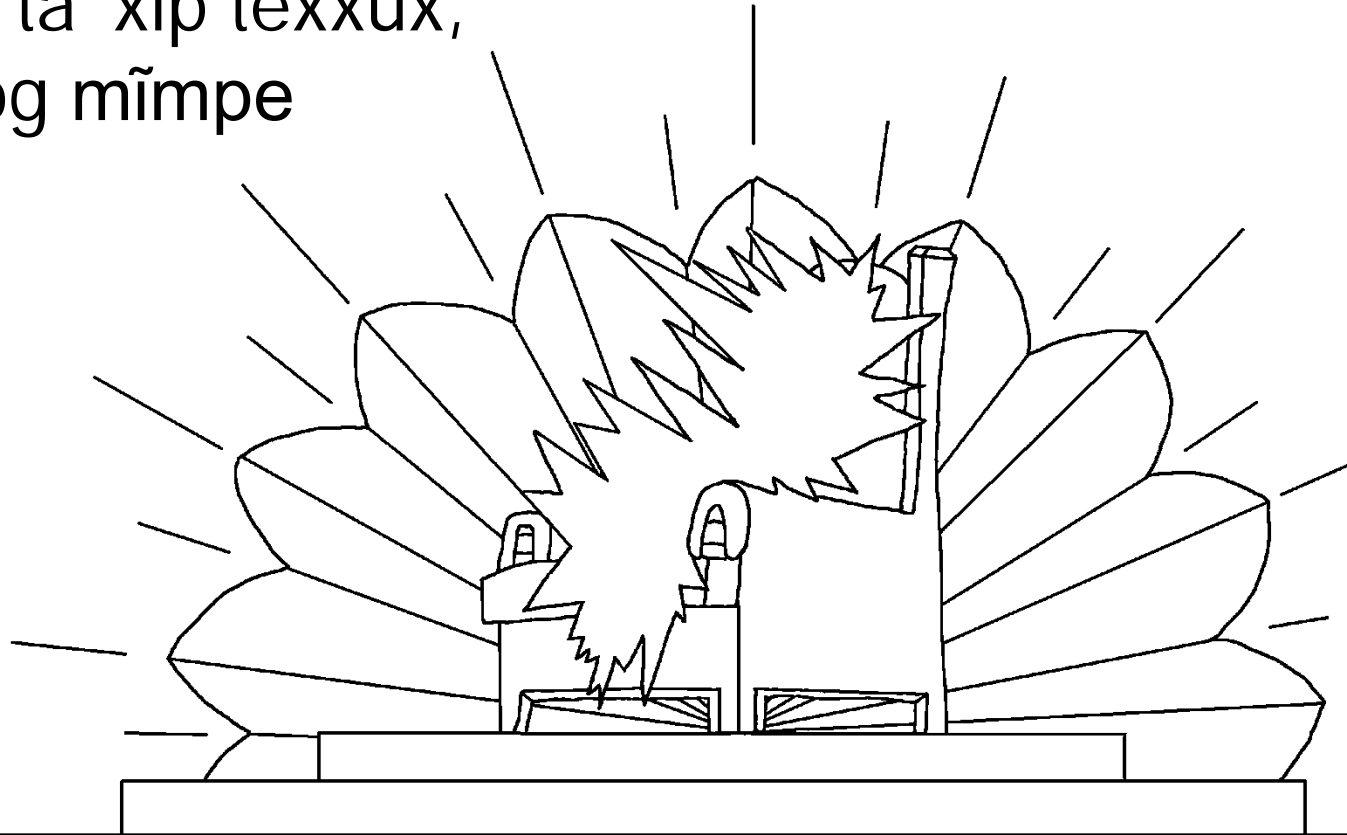
putuk. Hōmā 'āte tikmū'ūn pu Topa  
'āktux xix Yeyox 'āktux,



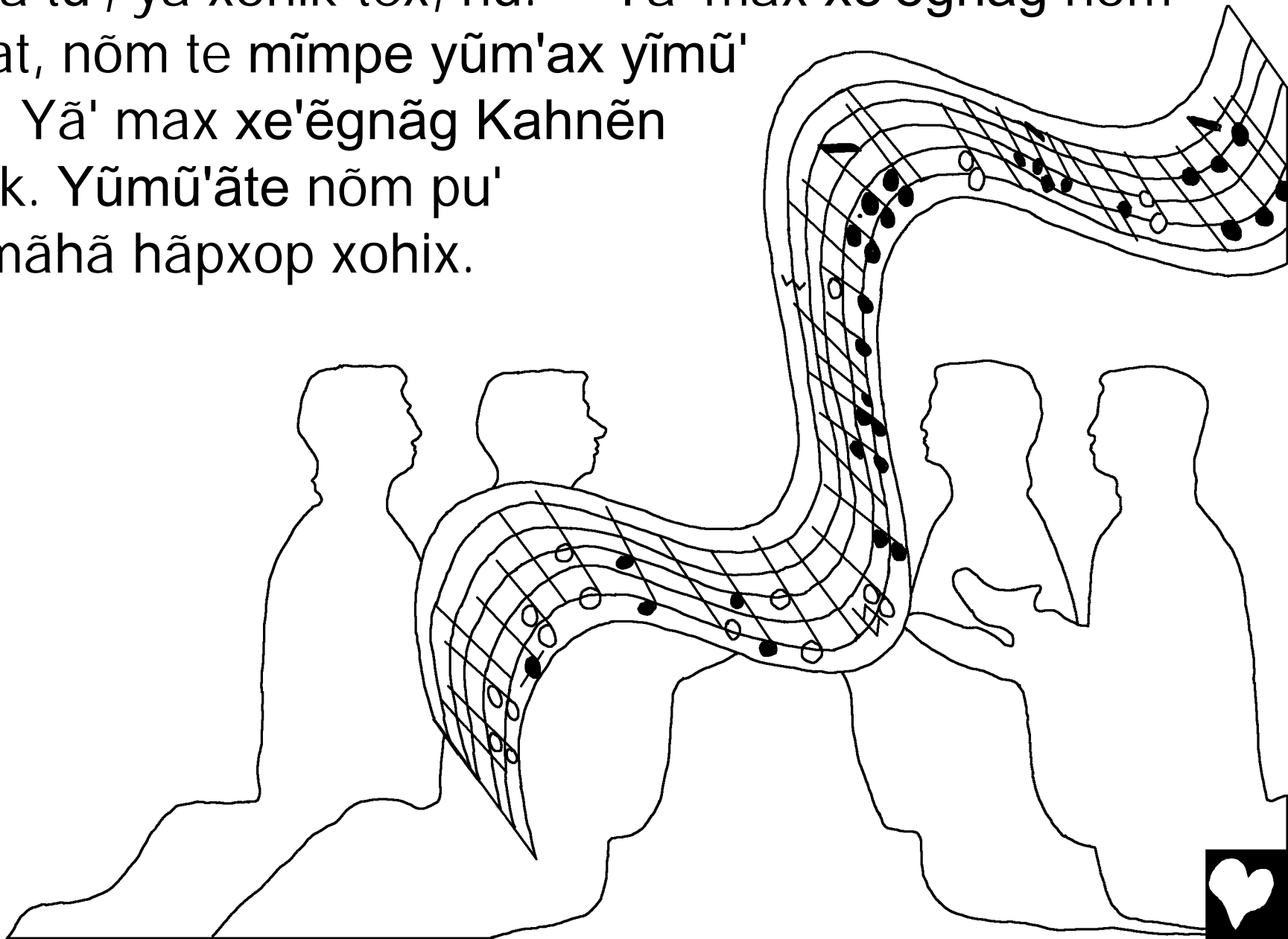
ha tikmū'ūn tek mūg,  
tuk xix nūnte hām tot  
tu', ha kōnāg te'  
yīmap, yā hām tot  
'ūxuxet'ax Pat.



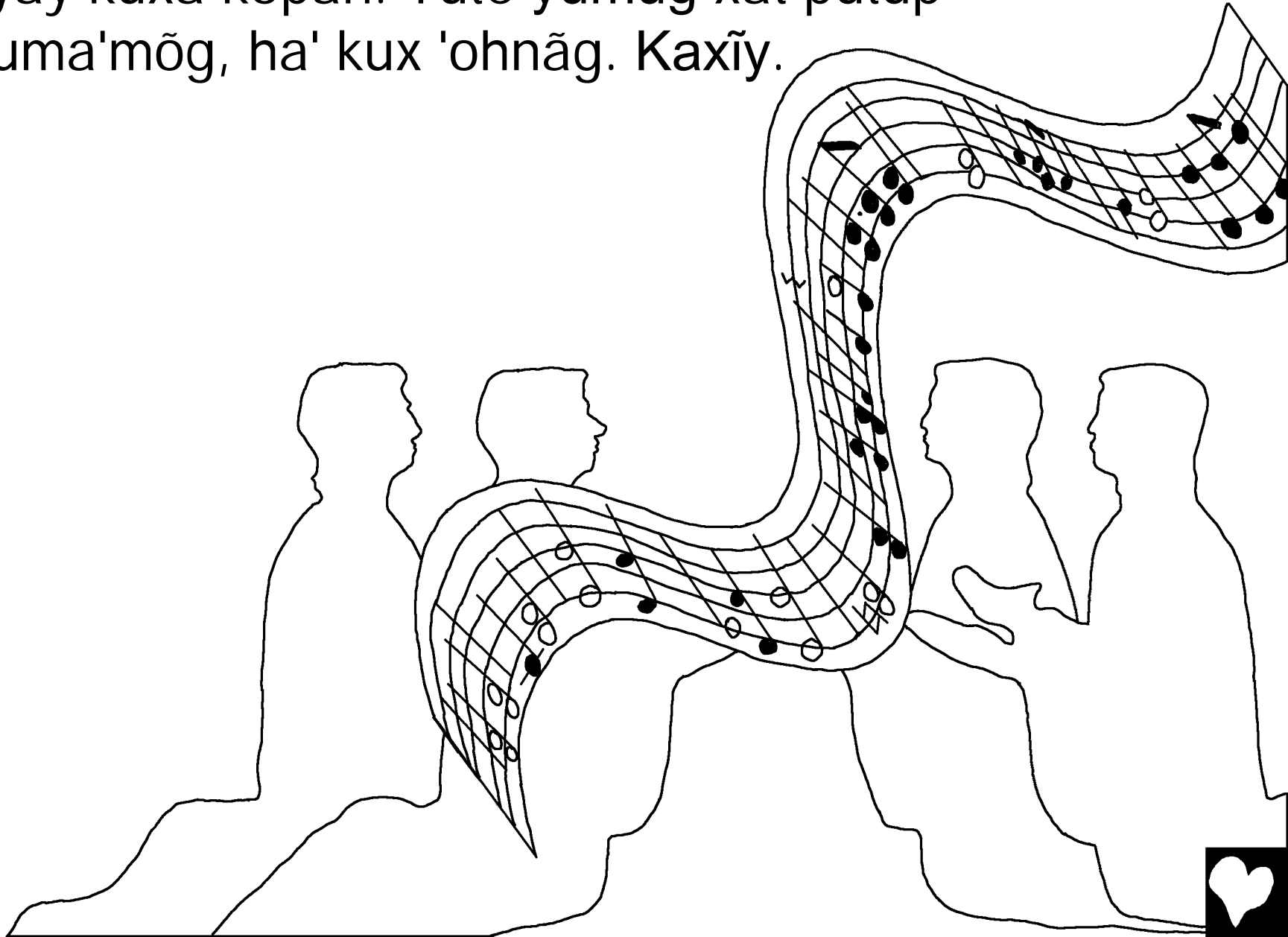
Hāpxip 'ohnāg īhā Topa Koxuk tek mōgāhā', hak mōg,  
pa' xip nōm te' xat yōg mīmpe yūm'ax xe'ēgnāg, ha 'ōm  
te' yīmū' yūm, tu' pa te mō kuyānām yōn, yā mīkaxxap  
takat putuk, yā mīkaxxap yax putuk, xix mīkaxxap  
xanōn putuk, ha ta' xip texxux,  
tu nōm te' xat yōg mīmpe  
yūm'ax xakot,  
yā texxux yīxux,  
tu mīkaxxap  
'exmēnat putuk.



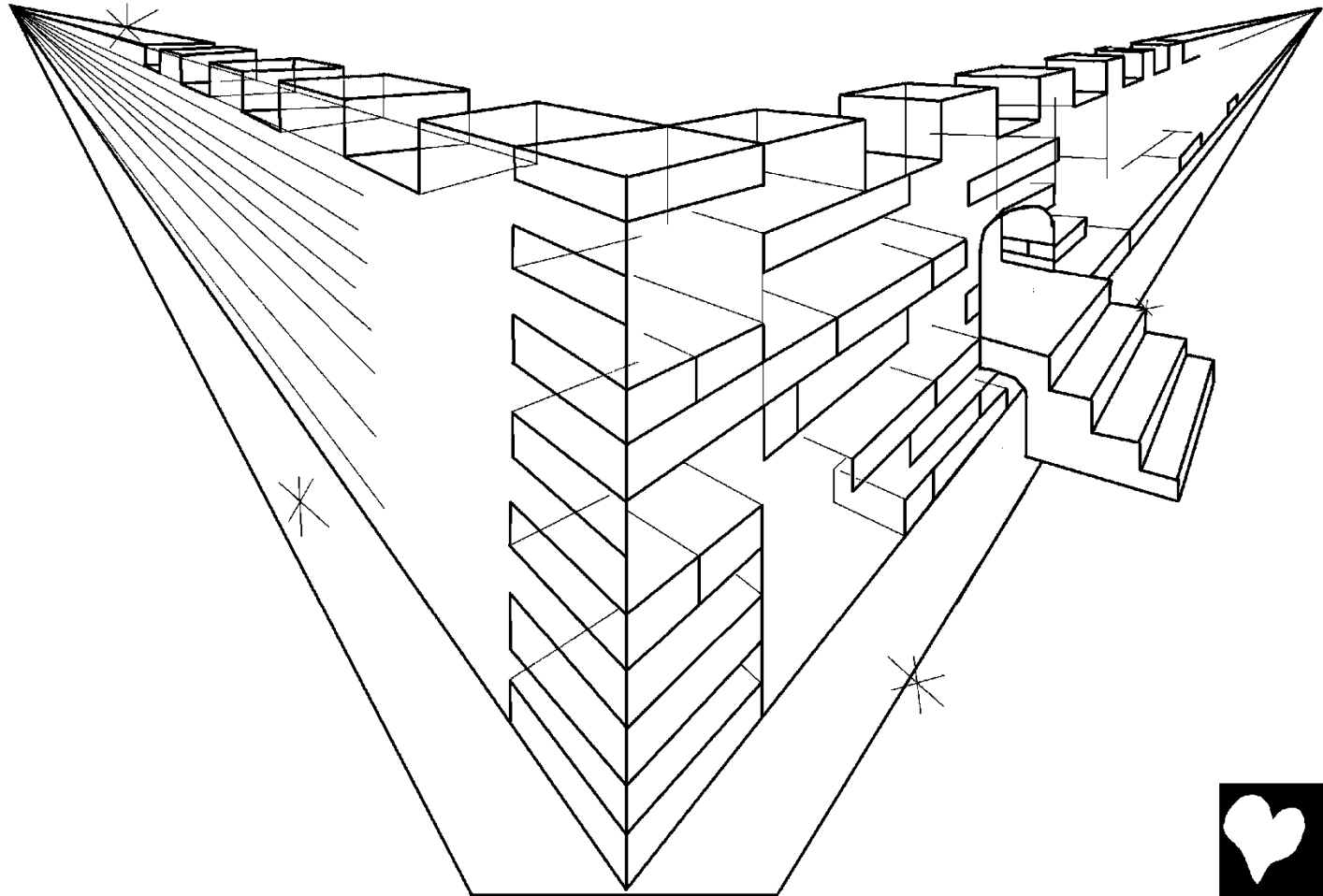
Ha ta' xupak 'āte 'ūhi xop xohix pexkox tu' xix kōnāg  
xexka tu', yā xohik-tex, hu: —Yā' max xe'ēgnāg nōm  
te' xat, nōm te mīmpe yūm'ax yīmū'  
yūm. Yā' max xe'ēgnāg Kahnēn  
Kutok. Yūmū'āte nōm pu'  
popmāhā hāpxop xohix.



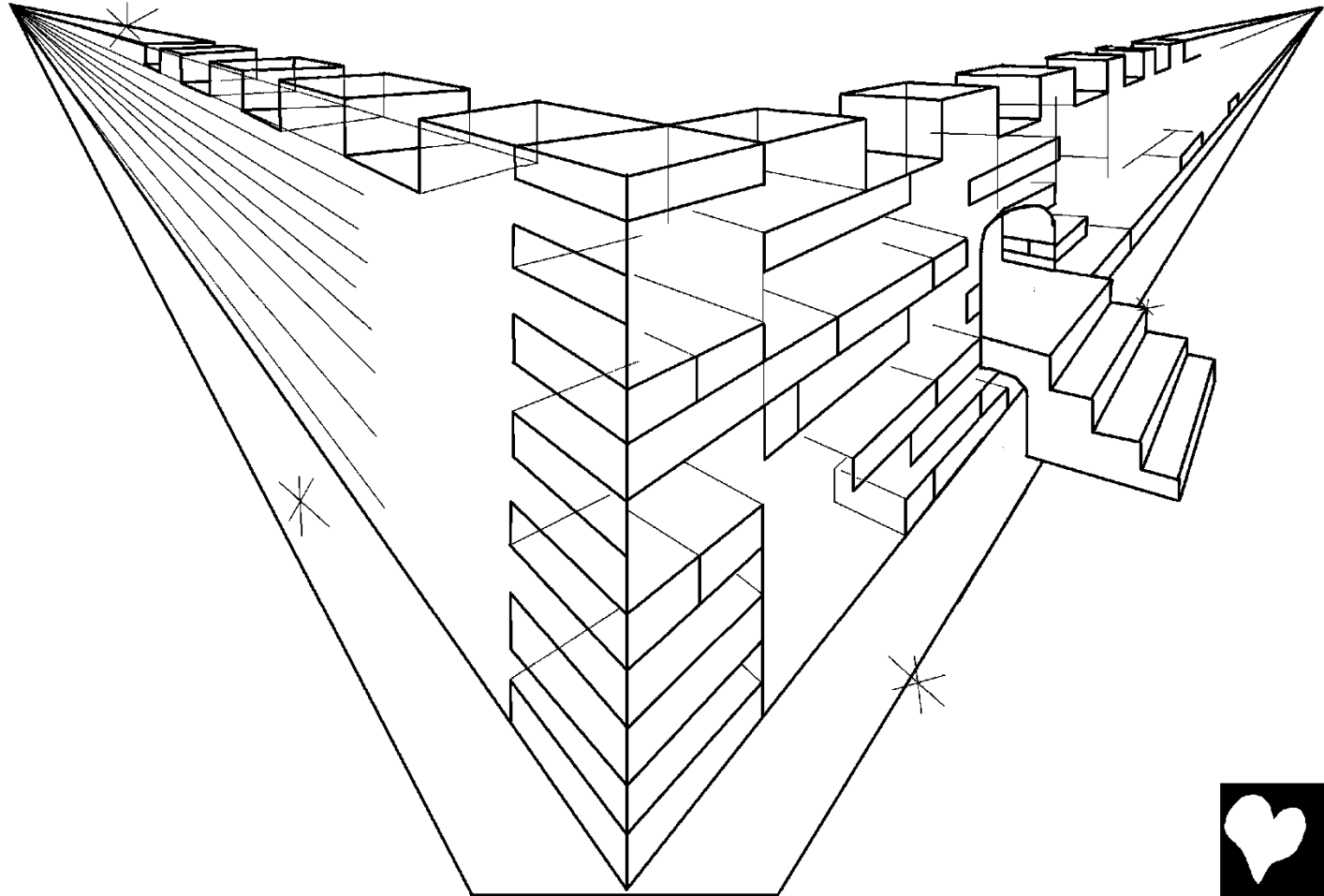
Yūmū'āte nōm 'āktux max, tu nōm 'āpak, tu' xexka  
mīy yāy kuxa kopah. Tute yūmūg xat putup  
mōkuma'mōg, ha' kux 'ohnāg. Kaxīy.



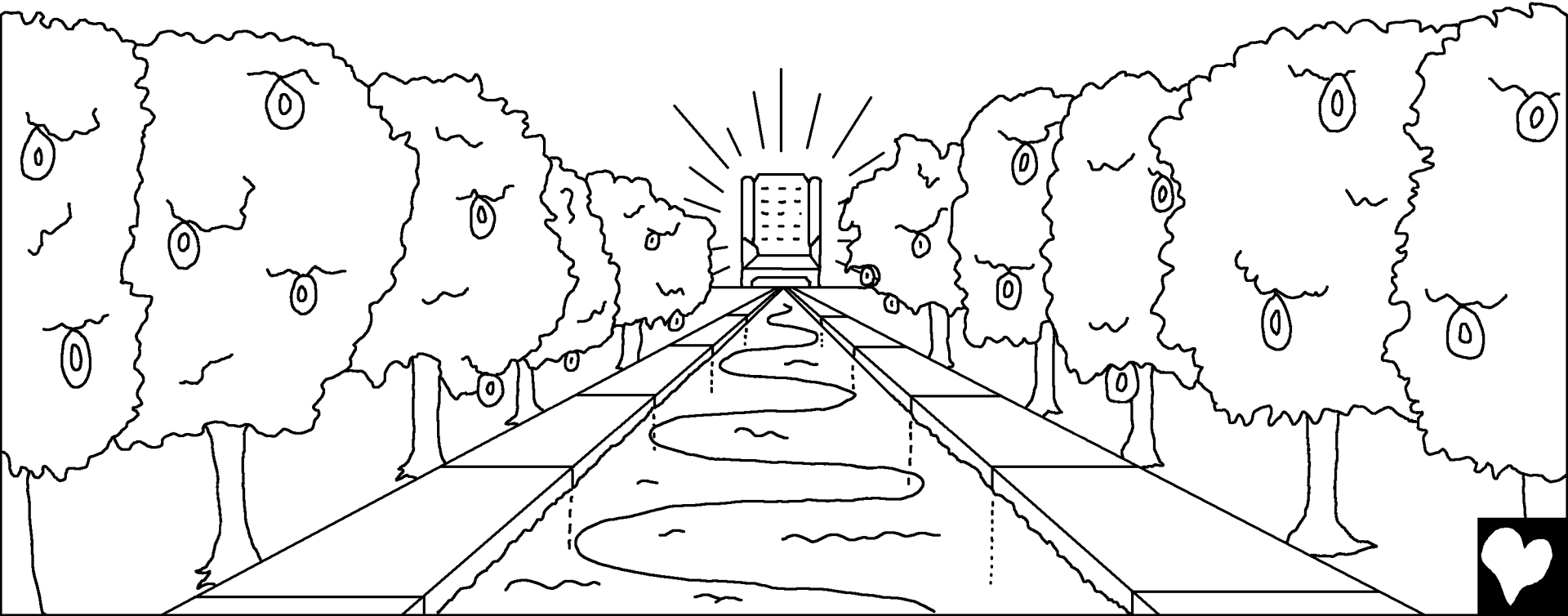
'Āte' pēnāhā', pa' xip kōmēn xe'ēgnāg, yā kōmēn  
Yenoyanēn nōy tup, tu pexkox kopa' xupep, tu ta  
yīxohoh. Yā' max yāy putuk. Yā 'ūn te yāy tap-tup putuk,  
tu' xax max tat, tu' mōg, nūy yāy yīpxox mūy.



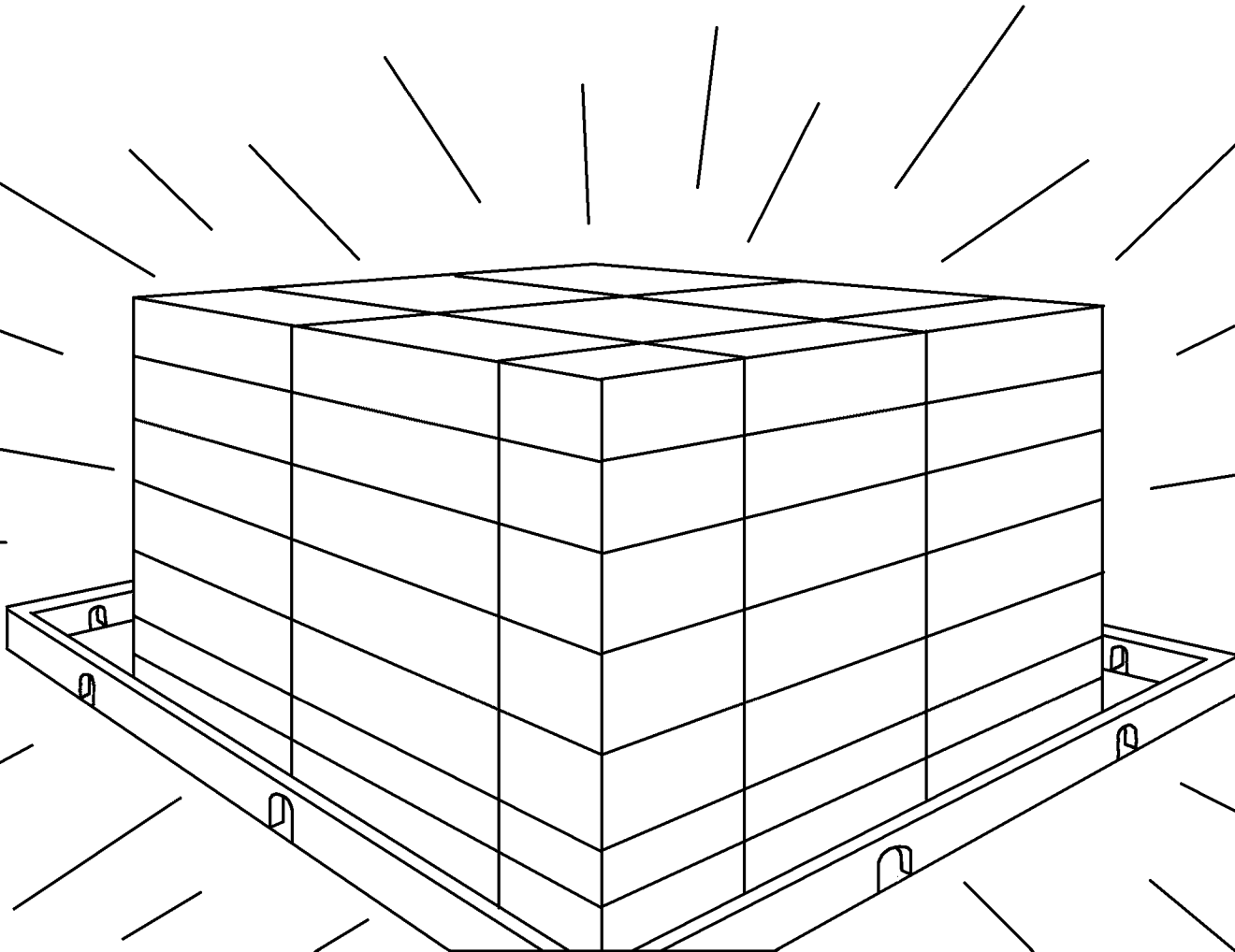
'Āte' xupak, pa' xip yānmūn xupep'ax 'ūxat'ax xexka yōg mīmpe yūm'ax xe'ēgnāg tu', tu hām'āktux, hu: —Hōnhā Topa te yāy kotīnnāhā tikmū'ūn mūtik. Tute yāykotīnnāp-tup nūmūtik. Yā yōg tikmū'ūn. Topa xip putup nūmūtik, yā tikmū'ūn yōg Topah.



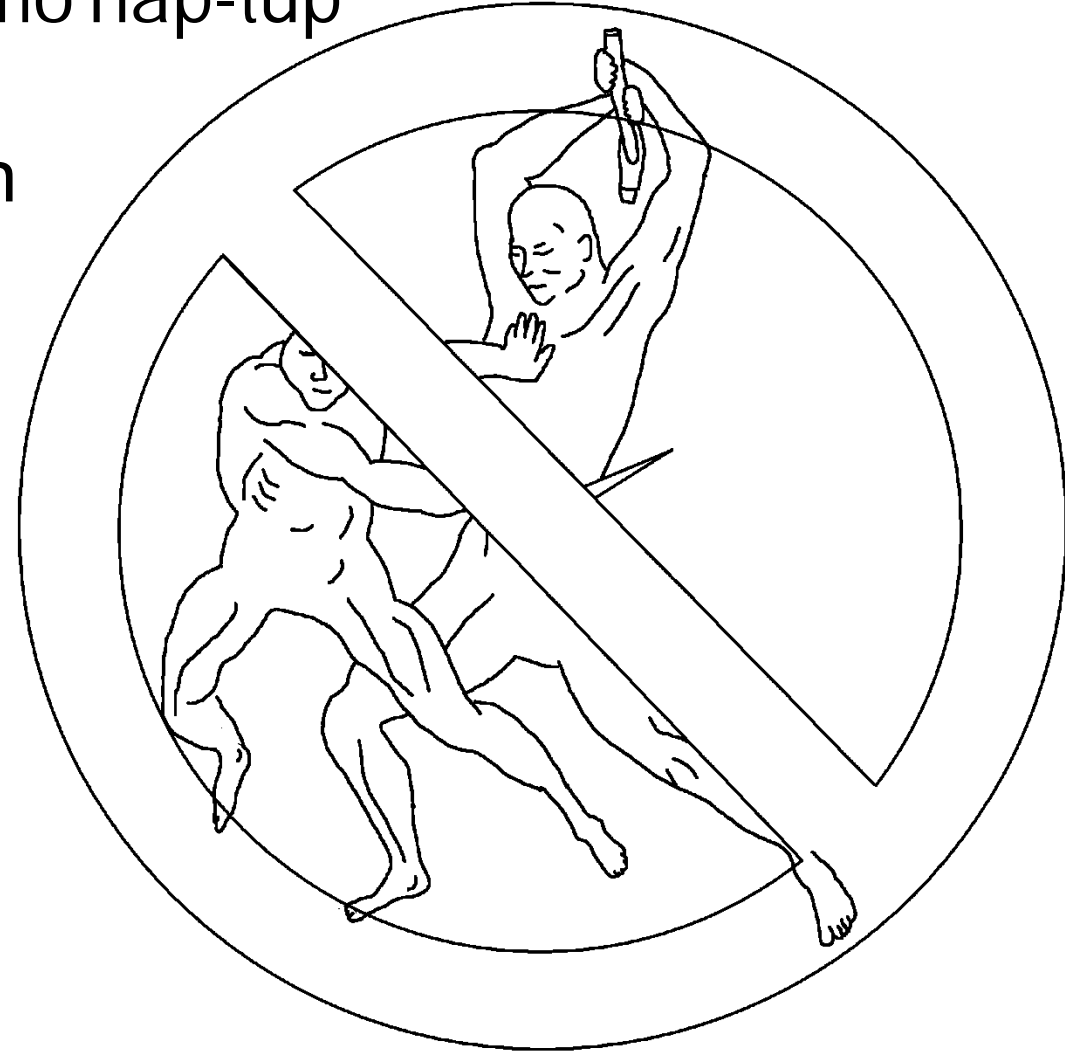
Ha pexkox yōg nū'kutnā'ax te 'ā' mūg kōnāg kox, ha yōg kōnā'āg te tikmū'ūn hīnnāhā', tu kuyānām mīy, tu' tup, tu kinixat putuk. Kōnāg kox te Topa yōg mīmpe yūm'ax xe'ēgnāg tu' xupep xix Kahnēn Kutok yōg, tu ta' mōg putat kote', ha ta' pip kōnāg kox yōg hāpkux tix tu' mīm kup tix, yā hi'ax yōg, tu mey puxet īhā mīnta ta punethok, ha mey nōy īhā mīnta ta' nōy punethok.



Ha 'ap xip'ah māyōn, xix māyōn hex, yā 'ap putup'ah  
māyōn yānām xix māyōn hex yānām. Hamūn, Topa  
max xe'ēgnāg xix Kahnēn Kutok, hu kuyānām punethok  
pip. Puxix.



Pa hāpxop yāy'īgā nūnnāp-tup 'ohnāg kōmēn tu', yā  
hāpkummuk mīy'ax nūnnāp-tup 'ohnāg xi' koit'ax  
nūnnāp-tup 'ohnāg. Pa mō'nāp-tup  
nōm tikmū'ūn, yā 'ūyōg  
xuxet'ax kax'ami Kahnēn  
Kutok yōg hi'ax xop  
yōg tappet tu'.



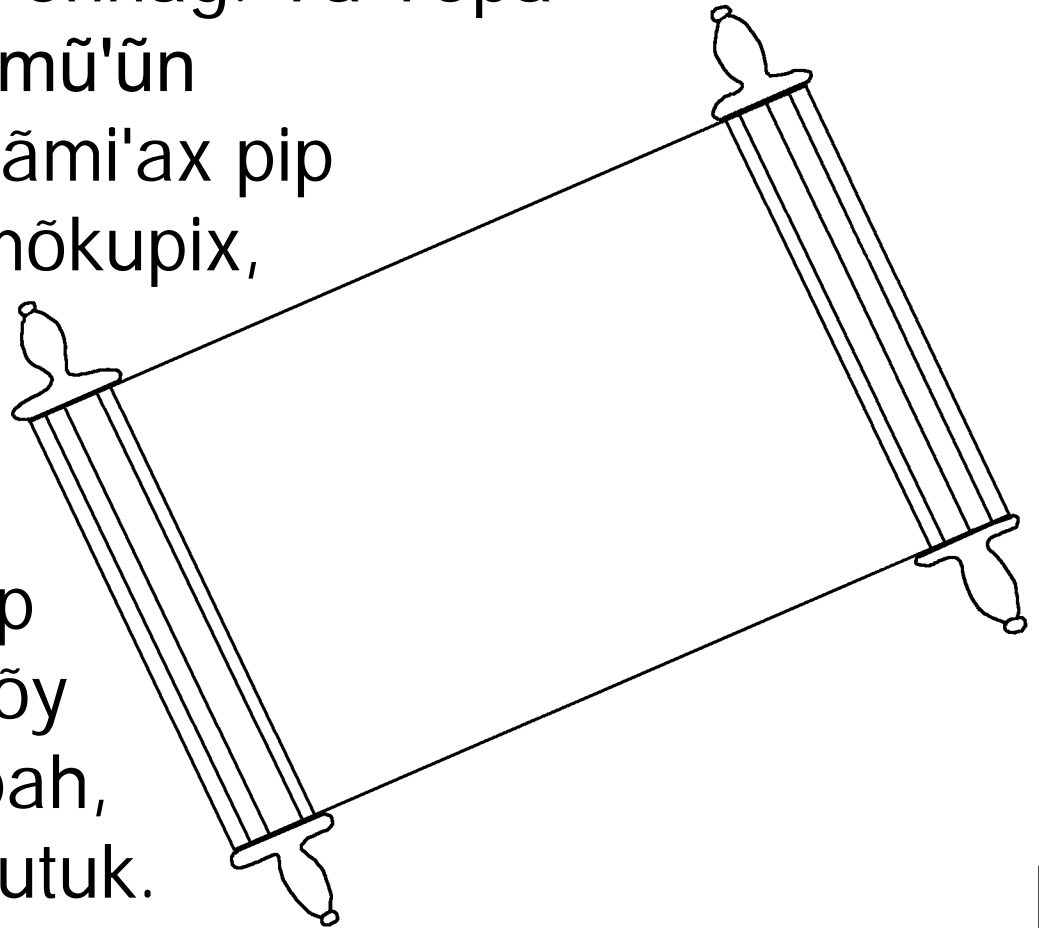
Topa te tikmũ'ũn pa hep kutux putup.  
'A xep xakix putup'ah, tu xe' kuxa  
hittup 'ohnãg putup'ah, tu xe'  
xũy putup'ah. Yã' nõg  
hãpxop hittap. Kaxĩy.



'Ap xip'ah hāpxop kummuk, Topa te nōm putup nōg. Ha ta' xip kōmēn kopa Topa yōg mīmpe yūm'ax xe'ēgnāg xix Kahnēn Kutok yōg, ha yōg kāmānat te Topa pu nūktettex xix Kahnēn Kutok pu nūktettex, tu Topa pa pēnāp-tup xix Kahnēn Kutok pa pēnāp-tup, ha Topa 'āxet'ax pip tikmū'ūn kux tu', xix Kahnēn Kutok 'āxet'ax.



'Āte' pēnāhā', pa' pip xakix xop, yā' xexka xik-tōgnāg  
xop, ha' xat'ax xexka yōg mīmpe yūm'ax xe'ēgnāg  
keppak-nīhā' pip, ha' xōn tappet, tu' nōy xōn. Yā hi'ax  
xop yōg tappet yā hi'ax xop 'āxet'ax pip tappet tu', hu' hi  
mōkuma'mōg, ha' kux 'ohnāg. Yā Topa  
yīkak pip putup. Ha tikmū'ūn  
hāpxopmā'ax yōg kax'āmi'ax pip  
tappet tu'. Ha 'ōm te' mōkupix,  
nūy tikmū'ūn yōg  
hāpxopmā'ax kopit.  
Tikmū'ūn yōg xuxet'ax  
kax'āmi 'ohnāg 'ūhi xop  
yōg tappet tu', puxix nōy  
nōm nū'xok kuxap kopah,  
nōm te kōnāg xexka putuk.



Ha Topa Koxuk te: —Mā'. Kaxīy. Ha 'ūn te yāytap-tup  
te: —Mā'. Kaxīy. Ha' xupak xop te: —Mā'. Kaxīy. 'Ok  
kōnāg putup te 'āp-tex? Mā', nūy kōnāg hok pa', yā  
kōnāg te tikmū'ūn hīnnāhā nō'ōm.



Yã Topa te  
mõ'yãyxe'ěgnãg  
hãm xexka yõg xohix xop, hu yãy kutok  
pit puxehnãg nũ'kutnãhã' hãm xexka tu',  
puyĩy xohix 'ũm 'ũkuxa mãm ka'ok  
Topak-tok kopah, hu' xakix ka'ok  
putup'ah, pa' hi xe'ěgnãg  
mõkuma'mõg putup, ha' kux  
'ohnãg.



Hõmãn 3:23 'Ūhep xop xohix te Topa yõg putat xak, tu' nĩm, tu hãpxopmã kummuk pax, hu Topa putuk 'ohnãg.

Hõmãn 6:23 Tikmũ'ũn te hãpxop kummuk hã yãy kummugãhã 'ũyãnãn tu', nũy pago, hu ta xakix. Pa Topa te hãmmaxnãhã', 'ũhok hã hãmmaxnãhã', nũy tikmũ'ũn hĩnnã xe'ëgnãg. Yeyox Kunnix xok hã' hĩnnãhã', nõ'õm yũmũg xuxyã xe'e', ha yũmũg kuxap-xet Kunnix kuxa mũtik.

'Emeo 9:27 'Ūhep xop xohix xakix puxet, hak-nãy tu Topa te' yõg hãpxopmã'ax kopit putup, 'ok pe hãpxopmã max, 'ok pe' kummuk, tu' kummuk xop pu hãpkummugãp-tup, nũy tu yãnãn, tu' max xop pu hãmmaxnãp-tup 'ũyãnãn tu'.



'Epep 2:8,9 Ha Topa te ta nemēn 'ohnāg, tu xa hāmmāxnāhā', 'īhā' hok tu 'āxop kuxa kummuk xit, nūy kuxa max tat 'ūyānān tu', 'ākuxa mān ka'ok Yeyox Kunnix kopa hah. 'Āxop te hāpxopmā max 'ohnāg, pu Topa' yānān tu' xa hāmmāxnā'. Yāmhok. Topa te xa' hok hā' kuxa kummuk xit. Hamūn. 'Āxop te hāpxopmā 'ohnāg, puyīy Topa ta nemēn, nūy 'ākuxa kummuk xit. 'Āmhok. Yīy yāy mūn max pe'āpaxeh hok. Yāk-tīgnāg. Yā 'ākummuk.

Hōmān 10:9,10 'Ok xatep-tup, pu Topa 'ākuxa kummuk xit, nūy kuxa max mō'tat 'ūyānān tu'? Xatep-tup, 'āpu 'ānōy pu hām'āktux, hu: Yeyox mūn yāk xuxyā! Kaxīy. Tu 'ākuxa yūm ka'ok Yeyox Kunnix kopah, Topa te' putpu hīnnāhā hah. Xate hāpxopmā kaxīy, puxix Topa 'ākuxa kummuk xit, nūy kuxa max tat 'ūyānān tu'. Yūmūg kuxa mān ka'ok, ha Topa te yūmūg kuxa tupmā', pu tu kuxa max, yūmū'āte' yīkox hā xuktux, puxix Topa yūmūg kuxa kummuk xit.



Yoãm 3:16,17 Yã Topa te mõi'yãyxe'ëgnãg hãm xexka yõg xohix xop, hu yãy kutok pit puxeñnãg nũ'kutnãhã' hãm xexka tu', puyĩy xohix 'ũm 'ũkuxa mãm ka'ok Topak-tok kopah, hu' xakix ka'ok putup'ah, pa' hi xe'ëgnãg mõi'kuma'mõg putup, ha' kux 'ohnãg. Topa te yãy kutok nũ'kutnãhã hãm xexka tu', nũy nõm hã hãm xexka yõg xohix xop kuxa kummuk xit, nũy kuxa maxnã', nũy nõm yõg hãpkummuk mĩy'ax hã yãnãn hok.

1 Yoãm 5:11-13 Tu xe: "Ãte 'ãkuxa hinnã xe'ëgnãg, 'ũgkutok hã 'ãkuxa hinnãhã, ha 'ãhi kux 'ohnãg," kaxĩy. Topak-tok te tikmũ'ũn mũtik tihi', puxix tu kuxa hi xe'e', ha tikmũ'ũn mũtik ti hok, puxix tu hi 'ohnãg. 'Ãte xa kax'ãmi', nũy xa hãmyũmmũgã'. 'Ãxop kuxa mãm ka'ok Topak-tok kopah, tu 'ãkuxa hi xe'ëgnãg.



Yoãm 14; 2 Konĩn 5; Apokalipse 4, 21, 22

Storyline by: Edward D. Hughes

Illustrated by: Lazarus  
and Alastair Paterson

Adapted by: Sarah S.

Maxakali NT (mbl) © 2011, Wycliffe Bible Translators, Inc.  
All rights reserved.

<https://www.bible.com/bible/612/MAT.1.MBL>

©2026 Bible for Children, Inc.

[www.M1914.org](http://www.M1914.org)

[www.bibleforchildren.org](http://www.bibleforchildren.org)

