

www.BibleForChildren.org



San Juan 14



A³li² aon³-jin² ma³-le⁴ ni⁴ma⁴-no³. Ma³cjain¹-no³ xi³
t²a³ts²e⁴ Ni³na¹, c²oa⁴-ti⁴ ca²ta³ma³cjain¹-no³ xi³
t²a³ts²an⁴. Ya⁴ nt²ia³-le⁴ N²ai³-na⁴ cjai¹nca³ to⁴tjin¹ 'nte³.
Tsa² tsi² c²oa⁴tjin¹, c²oa⁴qui³xin³-no³. Cjoia¹³ tso²c²oa⁴,
cjoia¹ si³nta³chon³-no³ 'nte³ xi³ t²a³tsaon⁴³.

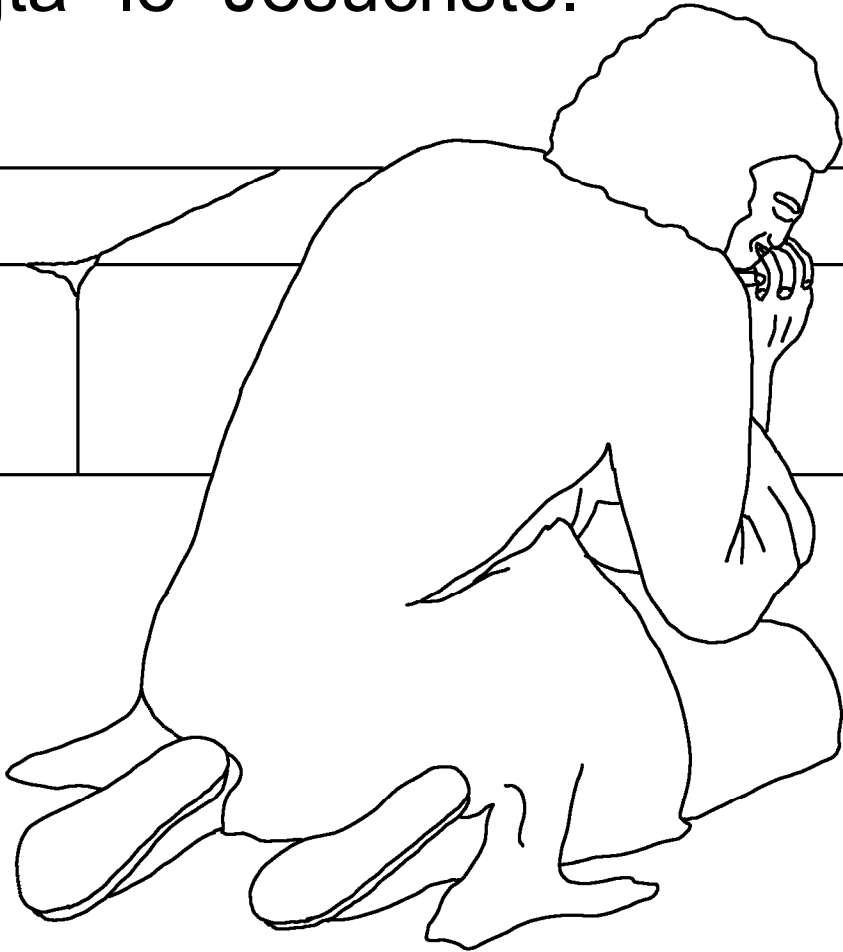


Tsa² cjoia¹³, tsa² si³nta³chon³-no³ ʔnte³, cjoa^{2ʔ}ai⁴
nqui²ntia³-nia³. Scoe²tjao²-no³ tʔa³tsʔan⁴, jme¹-ni³
nca³ cʔoa⁴-ti⁴ jon² ya⁴ coi⁴yo³-si¹nio³, jña³ nca³
ti²jna⁴ nca³ an³.



An³ xi³ Juan [?]mi²-na³, xi³ nts[?]ao³. To⁴jnco³
ti³chja^{3?}a³² cjoa⁴ñ[?]ain³, c[?]oa⁴ ti²jna⁴cao⁴-no³
ya⁴ cjoa⁴te¹xo³ma³-le⁴ cao⁴

coa⁴tse³jta³-le⁴ Jesucristo.



An³ tsa³ca²te⁴jna³ ya⁴ 'nte³ xi³ ti¹jna³jin³
nta¹chi³con³, ya⁴ jña³ nca³ isla Patmos 'mi²,
xi³ t'a³ts'e⁴ en¹-le⁴ Ni³na¹, c'oa⁴ xi³

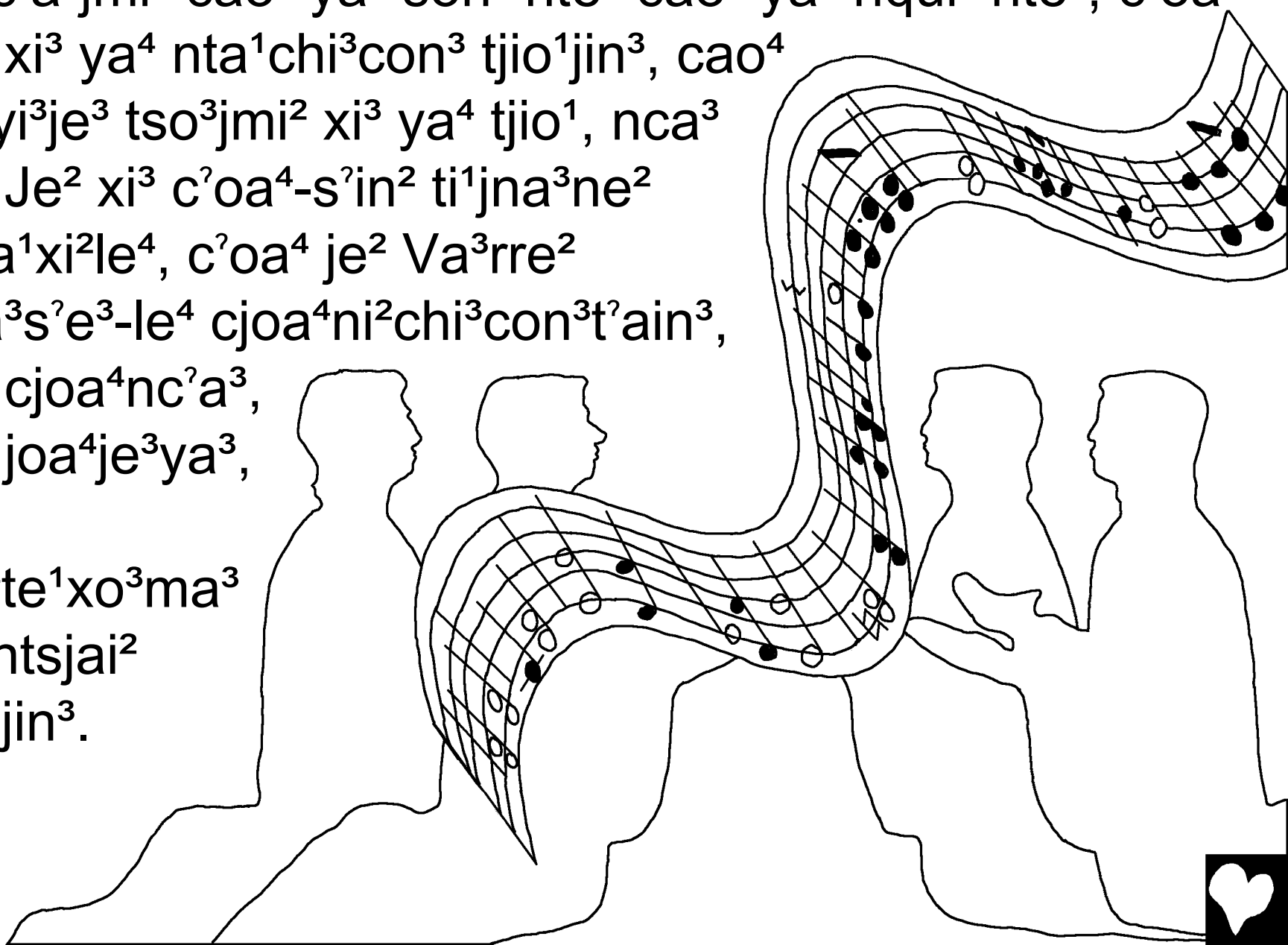
t'a³ts'e⁴ en¹-le⁴
Jesucristo.



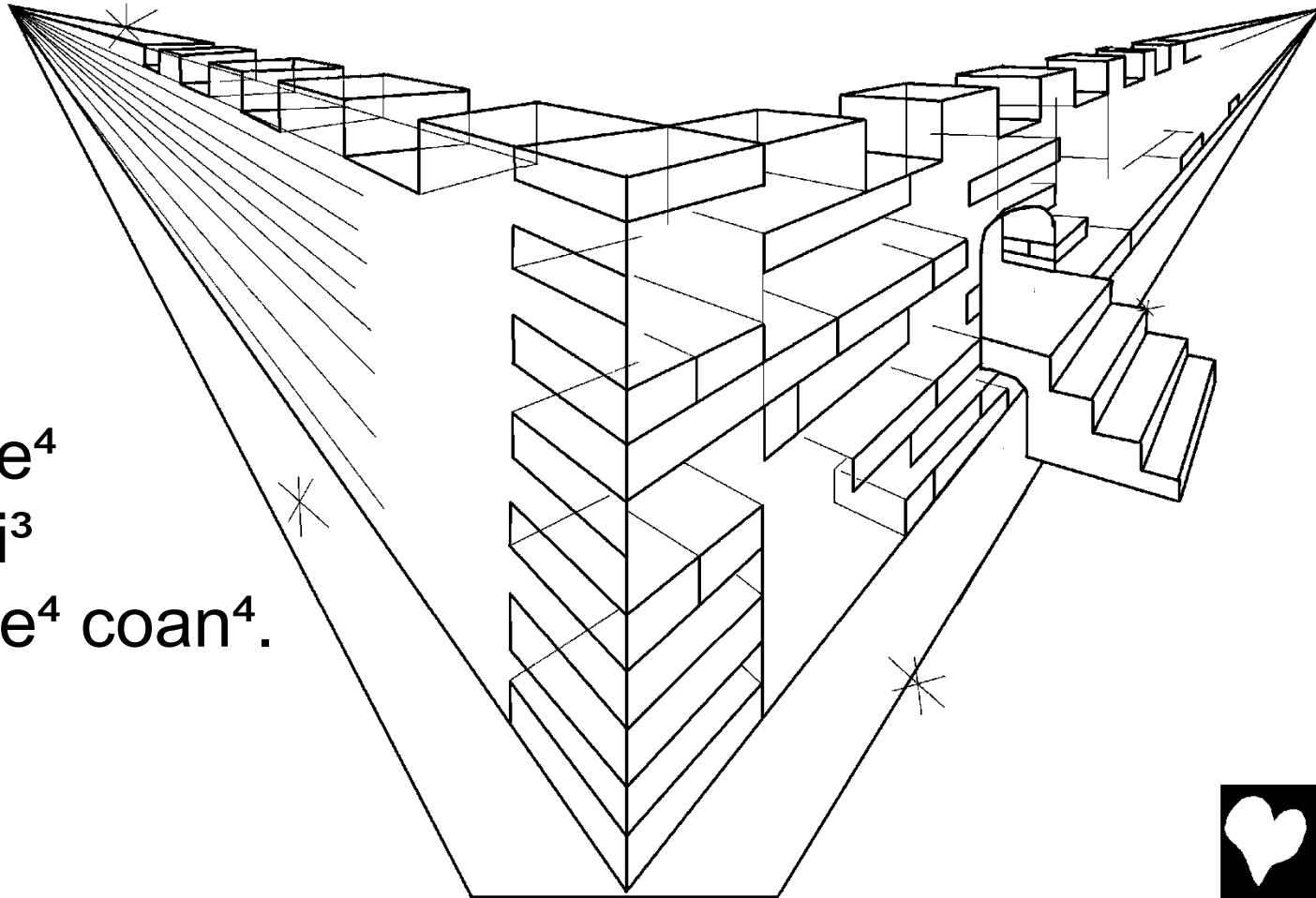
Nti⁴ton⁴ tsa³ca²te⁴jna³coa⁴ je² Espíritu Santo. Coe⁴-ni³
jnco³ ya¹xi²le⁴ xi³ ti¹jna³ ya⁴ nc[?]a³jmi³, c[?]oa⁴ jnco³ xi³ ya⁴
ti¹jna³ne² je² ya¹xi²le⁴.



An³ qui³nč⁷oe³-le⁴ nca³ts⁷i³ xi³ qui³s⁷e³nta³ xi³ tjio¹
ya⁴nc⁷a³jmi³ cao⁴ ya⁴ son³⁷nte³ cao⁴ ya⁴ nqui³⁷nte³, c⁷oa⁴
cao⁴ xi³ ya⁴ nta¹chi³con³ tjio¹j³in³, cao⁴
nca³yi³je³ tso³jmi² xi³ ya⁴ tjio¹, nca³
tso²: Je² xi³ c⁷oa⁴-s⁷in² ti¹jna³ne²
je² ya¹xi²le⁴, c⁷oa⁴ je² Va³rre²
ca²ta³s⁷e³-le⁴ cjoa⁴ni²chi³con³t⁷ain³,
cao⁴ cjoa⁴nc⁷a³,
cao⁴ joa⁴je³ya³,
cao⁴
cjoa⁴te¹xo³ma³
nca³ntsjai²
ni⁴čhjin³.



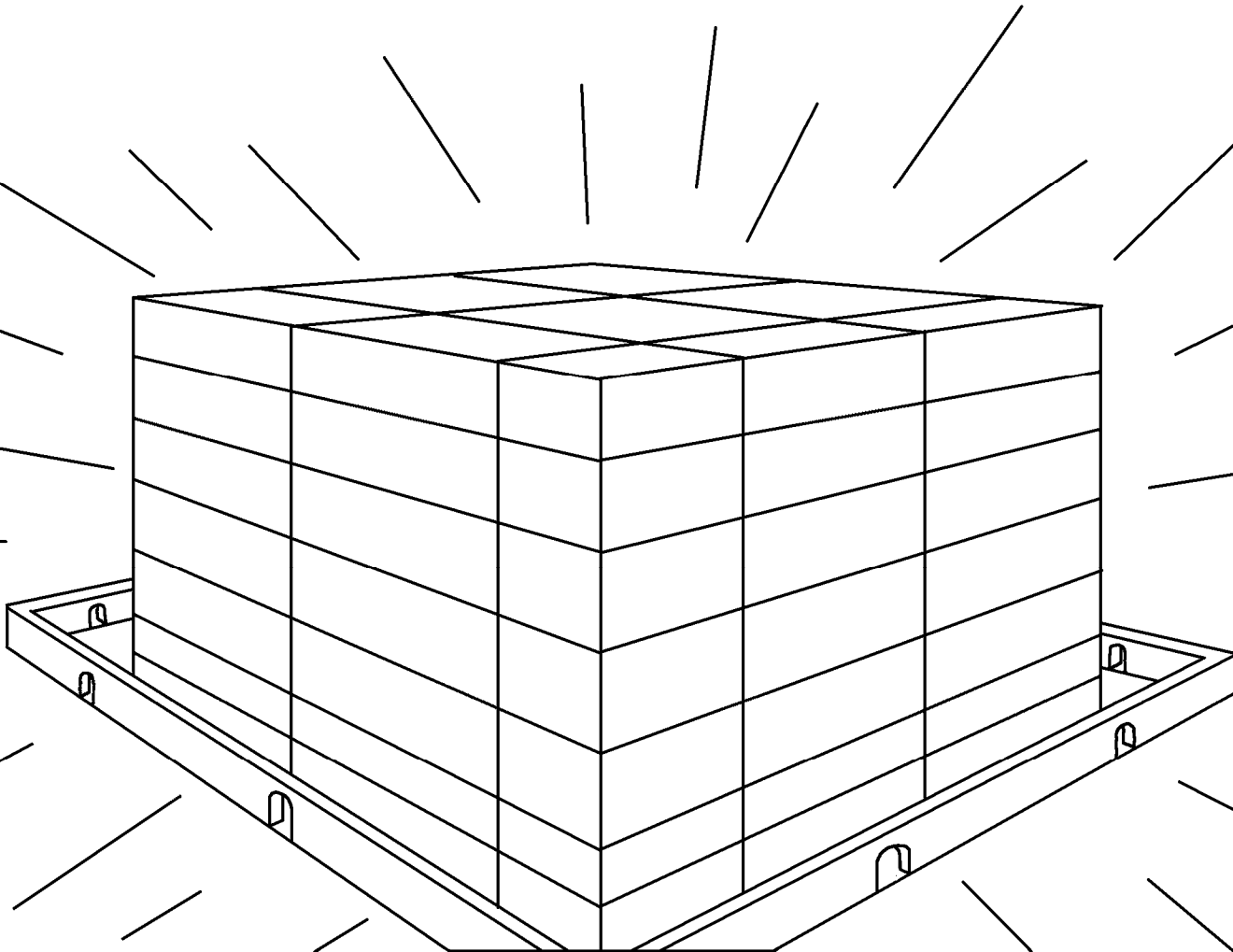
An³ xi³ Juan ²mi²-na³ tsa³⁷ve³ je² na⁴xi⁴na³nta¹ xi³ tsje³,
 Jerusalén cho⁴tse⁴, xi³ ji³tjo³jen³-ni³ nc²a³jmi³ ts²e⁴ Ni³na¹.
 Ti¹jna³nta³ jo³-ni³ tsa² jnco³ chjon⁴² xi³ ti¹jna³nta³ xi³
 t²a³ts²e⁴ x²in⁴-le⁴. Qui³nč²oe³jncoa³ jta⁴ n²ion¹ ya⁴
 nc²a³jmi³, xi³ qui³tso²: Coe⁴-ni³ je² ni³⁷ya³-le⁴ Ni³na¹
 qui³jna³jin³-le⁴
 cho⁴ta⁴, c²oa⁴
 Ni³na¹
 c²oe¹jna³cao⁴.
 Cho⁴ta⁴
 na⁴xi⁴na³nta¹-le⁴
 coan⁴. Ti⁴je²-ni³
 Ni³na¹ Ni³na¹-le⁴ coan⁴.



Coan³scan³-ni³ tsa³ca³co¹-na³ jnco³ nta¹je⁴ xi³ tsje³ xi³
ts²e⁴ cjoa⁴vi³jna³chon³, xi³ fa³te³jin³ jo³-ni³ cho⁴tsin¹, xi³
ji³tjo³-ni³ ya¹xi²le⁴-le⁴ Ni³na¹ cao⁴ Va³rre².



Je² na⁴xi⁴na³nta¹-ve⁴ li²coi³ ma³chjen¹-le⁴ ts⁷oi¹
ni⁴sa¹-jin², jme¹-ni³ nca³ si⁴²⁷i³sen³-si¹ni³le⁴, nca³ je²
cjoa⁴⁷i³sen³-le⁴ Ni³na¹ xi³ si¹⁷i³sen³-le⁴, c⁷oa⁴ je²
Va³rre² je² l⁷i¹-le⁴.



Ya⁴ li²coi³ cjoa^{4?}a³s[?]en³
ni⁴to⁴jme³-jin² xi³ jnti¹ cjoan³,
xi³ ch[?]ao³ s[?]in¹, xi³ nti³so³,
to⁴ña³qui³ to⁴je²-ni¹ xi³
tjio¹t[?]a³ ya⁴ xon⁴ xi³
ts[?]e⁴ cjoa⁴vi³jna³chon³,
xon⁴-le⁴ je² Va³rre².



Ni³na¹ c⁷oe⁴²jon³ nca³yi³je³
nta¹xcon⁴ xi³ ts⁷e⁴ xcon⁴.

Li²coi³ ti⁴s⁷e⁴-ni³ cjoa⁴vi³ya³.

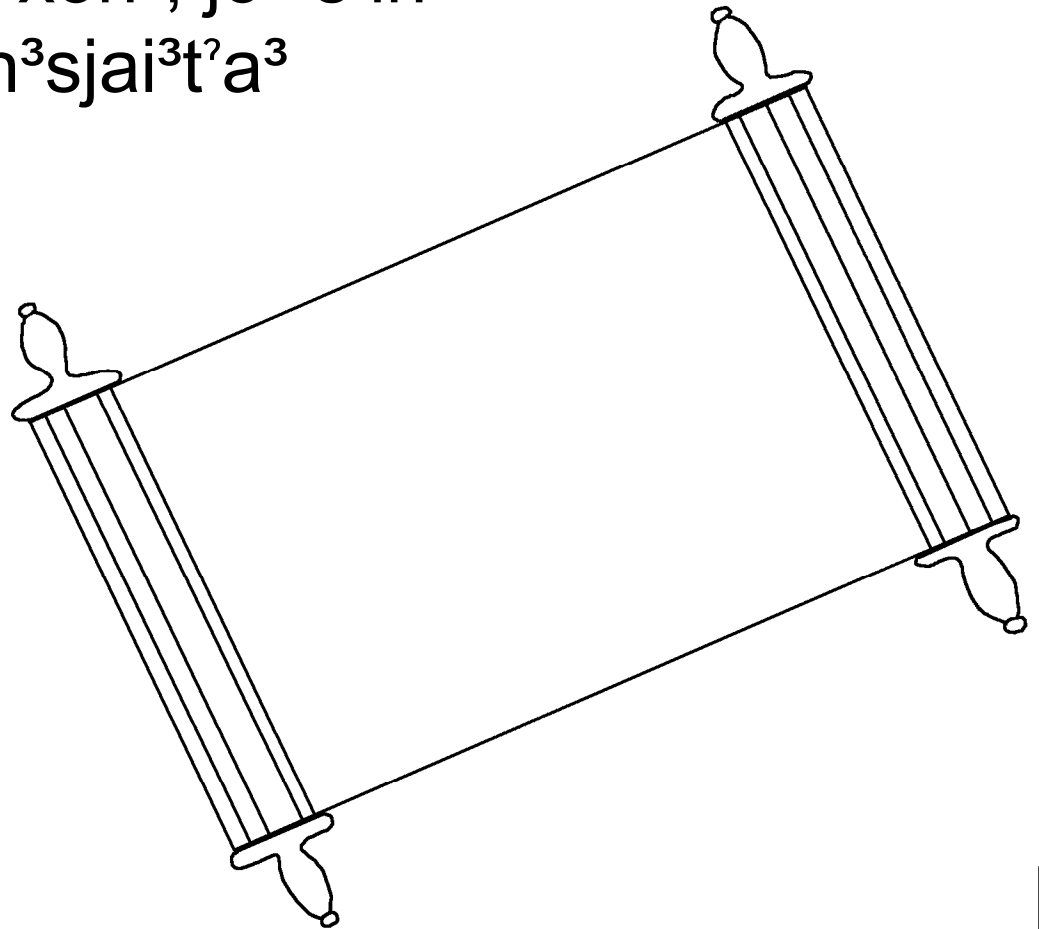
Li²coi³ ti⁴s⁷e⁴-ni³ cjoa⁴va³,
ni⁴je²-jin² xi³ cji³⁷ntia¹,
ni⁴je²-jin² xi³ aon³ ma³-le⁴,
nca³ je² cjoa⁴ xi³ ti¹tjon²
je³ja³⁷a³to³.



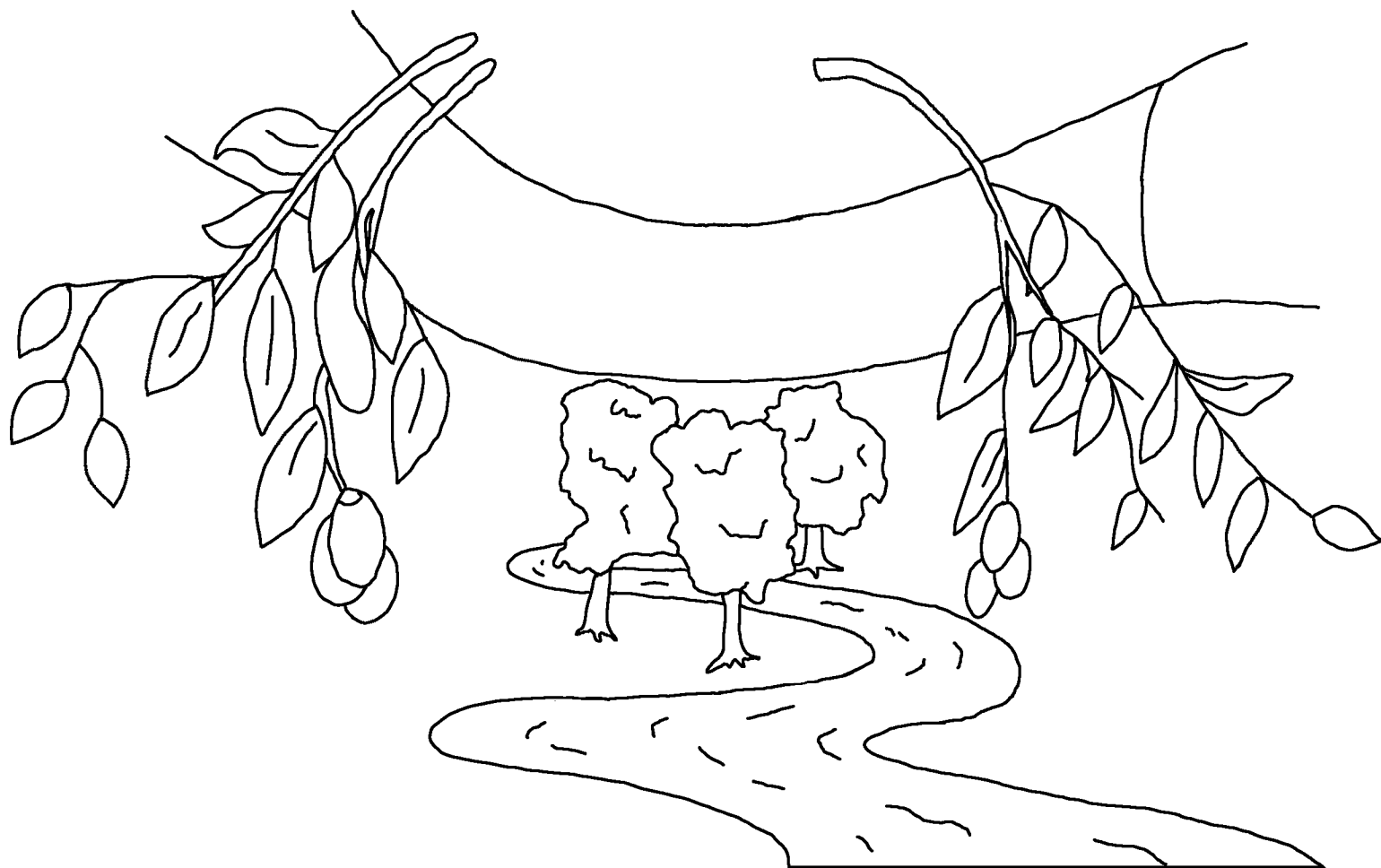
Li²coi³ ti⁴s[?]e³-ni³ cjoa^{4?}aon³ta³con². To⁴je² ya¹xi²le⁴-le⁴
Ni³na¹ cao⁴ je² Va³rre² se¹jna³, c[?]oa⁴ cho^{4?}nta³-le⁴
scoe⁴xcon¹. Scoe⁴ ncjain¹. Je² jan^{3?}ain¹-le⁴
s[?]e³jna^{3?}t[?]a³ tjen³.



Tsa³⁷ve³ je² xi³ c'en³, xi³ jchi¹nca³ cao⁴ xi³ xti³, xi³ tjio¹
nqui³xcon⁴ Ni³na¹. Je² xon⁴ qui³tjo³⁷ai². C'oa⁴ je² xi³
nqui²jnco³ xon⁴ qui³tjo³⁷ai², xi³ ts'e⁴ cjoa⁴vi³jna³chon³.
C'oa⁴-s'in² je² xi³ c'en³ qui³ts'ai²-le⁴ cjoa⁴ñ'ain³ t'a³ts'e⁴
je² cjoa⁴ xi³ tjio¹t'a³ ya⁴ xon⁴, jo³-s'in²
xa¹-le⁴. Je² xi³ tsi² coan³sjai³t'a³
ya⁴ xon⁴ xi³ ts'e⁴
cjoa⁴vi³jna³chon³,
c'oa⁴-s'in²
qui³ni²c'a³tjen⁴jin³
ya⁴ jn'cho¹l'i¹-ve⁴.



Je² Espíritu Santo c²oa⁴ je² chjon⁴²-le⁴ Va³rre² tso²:
Nčhoai¹³. C²oa⁴ je² xi³ nč²oe¹, ca²ta³tso²: Nčhoai¹³.
C²oa⁴ je² xi³ fa³ti²-le⁴, ca²ta³nčhoa¹. C²oa⁴ je² xi³ me³-le⁴,
ca²ta³vi³ na³nta¹ xi³ tsjoa¹ cjoa⁴vi³jna³chon³, xi³
to⁴cjoa⁴tjao².



Nca⁴ Ni³na¹ c²oa⁴s²in² coan³tsjca³que³
son³nte³ nca³ qui³tsjoa³ je² xi³
to⁴jnco³ ?nti¹-le⁴, jme¹-ni³ nca³
nca³ts²i³-si¹ni³ xi³ ma³cjain¹-le⁴
t²a³ts²e⁴, li²coi³cha⁴, to⁴nca³
tjin¹-le⁴ cjoa⁴vi³jna³chon³
nca³ntsjai².



Romanos 3:2

Nca³ts⁷i³ tsa³jnqui³ je¹, li²coi³ nta³ vi³tjo³ nqui³xcon⁴ Ni³na¹.

Romanos 6:23

Nca⁴ je² chji¹-le⁴ je¹ cjoa⁴vi³ya³ ni¹, to⁴nca³ je²
cjoa⁴tjao²-le⁴ Ni³na¹ cjoa⁴vi³jna³chon³ nca³ntsjai² ni¹,
xi³ to⁴t⁷a³ts⁷e⁴ Cristo Jesús Nai³-na¹.

Hebreos 9:27

To⁴jo³-s⁷in² nca³ tjin¹-ni³ nca³ jnco³ c⁷a² vi³ya³ cho⁴ta⁴,
c⁷oa⁴ coan⁴scan³-ni³ s⁷e⁴nta³j³in³-le⁴ cjoa⁴.

Efesios 2:8,9

To⁴t⁷a³ts⁷e⁴ cjoa⁴nta³ ji²tjo⁴ntjai²-nio³ nca³ ma³cjain¹-no³.
A³li² je²-jin² xi³ tsaon⁴³ je²-vi⁴, nca⁴ cjoa⁴tjao² ni¹ xi³ Ni³na¹
tsjoa¹. A³li² t⁷a³ts⁷e⁴ xa¹-jin², jme¹-ni³ nca³ ni⁴to⁴⁷ya³-jin² xi³
c⁷oa⁴sje³je³ya³-si¹ni³ yao³-le⁴.



Romanos 10:9,10

Xi³ coi³-vi⁴, tsa² si⁴qui²xi⁴ya³nta³-lai⁴ cao⁴ ntso⁴vai³ nca³
Nai³-li⁴ Jesús, c²oa⁴ tsa² coan⁴cjain¹-le⁴ ni⁴ma⁴-li⁴ nca³
Ni³na¹ qui³si³cja³a¹ya³jin³-ni³le⁴ c²en³ Cristo, c²ia⁴
coi²tjo⁴ntjai²-ni¹ni³. Nca⁴ cao⁴ ni⁴ma⁴-na¹ ma³cjain¹-na¹ xi³
t²a³ts²e⁴ nca³ cjoe⁴t²a³ je¹-na¹, to⁴nca³ cao⁴ ntso⁴va³²
ni²qui²xi⁴ya³nta³-nia¹ xi³ t²a³ts²e⁴ nca³ coi²tjo⁴ntje².

San Juan 3:16,17

Nca⁴ Ni³na¹ c²oa⁴s²in² coan³tsjca³que³ son³nte³ nca³
qui³tsjoa³ je² xi³ to⁴jnco³ ?nti¹-le⁴, jme¹-ni³ nca³ nca³ts²i³-si¹ni³
xi³ ma³cjain¹-le⁴ t²a³ts²e⁴, li²coi³ cha⁴, to⁴nca³ tjin¹-le⁴
cjoa⁴vi³jna³chon³ nca³ntsjai². Nca⁴ Ni³na¹ li²coi³ xa¹
qui³si³ca³sen¹-ni³ ?nti¹-le⁴ nca³ c²aon⁴ne²-le⁴ cjoa⁴ñ²ain³
cho⁴ta⁴son³nte³, to⁴coi⁴ nca³ c²oa⁴sje³ntjai²
cho⁴ta⁴son³nte³.



1 Juan 5:11-13

Je²-vi⁴ xi³ en¹-le⁴: Nca³ Ni³na¹ qui³tsjoa³-na¹ je²
cjoa⁴vi³jna³chon³ nca³ntsjai²-ve⁴, c²oa⁴ je²
cjoa⁴vi³jna³chon³-vi⁴ ti¹jna³jin³ je² [?]nti¹-le⁴. Je² xi³ tjin¹-le⁴ je²
[?]nti¹-le⁴, c²oa⁴-ti⁴ tjin¹-le⁴ je² cjoa⁴vi³jna³chon³-vi⁴. Je² xi³
tsin²-le⁴ [?]nti¹-le⁴ Ni³na¹, tsin²-le⁴ je² cjoa⁴vi³jna³chon³-vi⁴. Je²
nca³yi³je³ cjoa⁴-vi⁴ qui³squi³-no³ nca³ jon² xi³ ma³cjain¹-no³
xi³ t²a³ts²e⁴ jan^{3?}ain¹-le⁴ [?]nti¹-le⁴ Ni³na¹, jme¹-ni³ nca³
jcha⁴-si¹nio³ nca³ tjin¹-no³ je² cjoa⁴vi³jna³chon³
nca³ntsjai²-vi⁴, c²oa⁴ jme¹-ni³ nca³
coan⁴cjain¹ntsjai²-si¹ni³no³ t²a³ts²e⁴
jan^{3?}ain¹-le⁴ [?]nti¹-le⁴ Ni³na¹.



San Juan 14; 2 Corintios 5; Apocalipsis 4, 21, 22

Storyline by: Edward D. Hughes

Illustrated by: Lazarus
and Alastair Paterson

Adapted by: Sarah S.

Mazatec, Huautla NT (mau) © 1960, Wycliffe Bible
Translators, Inc. All rights reserved.

<https://www.bible.com/bible/834/MAT.1>

©2026 Bible for Children, Inc.

www.M1914.org

www.bibleforchildren.org

