

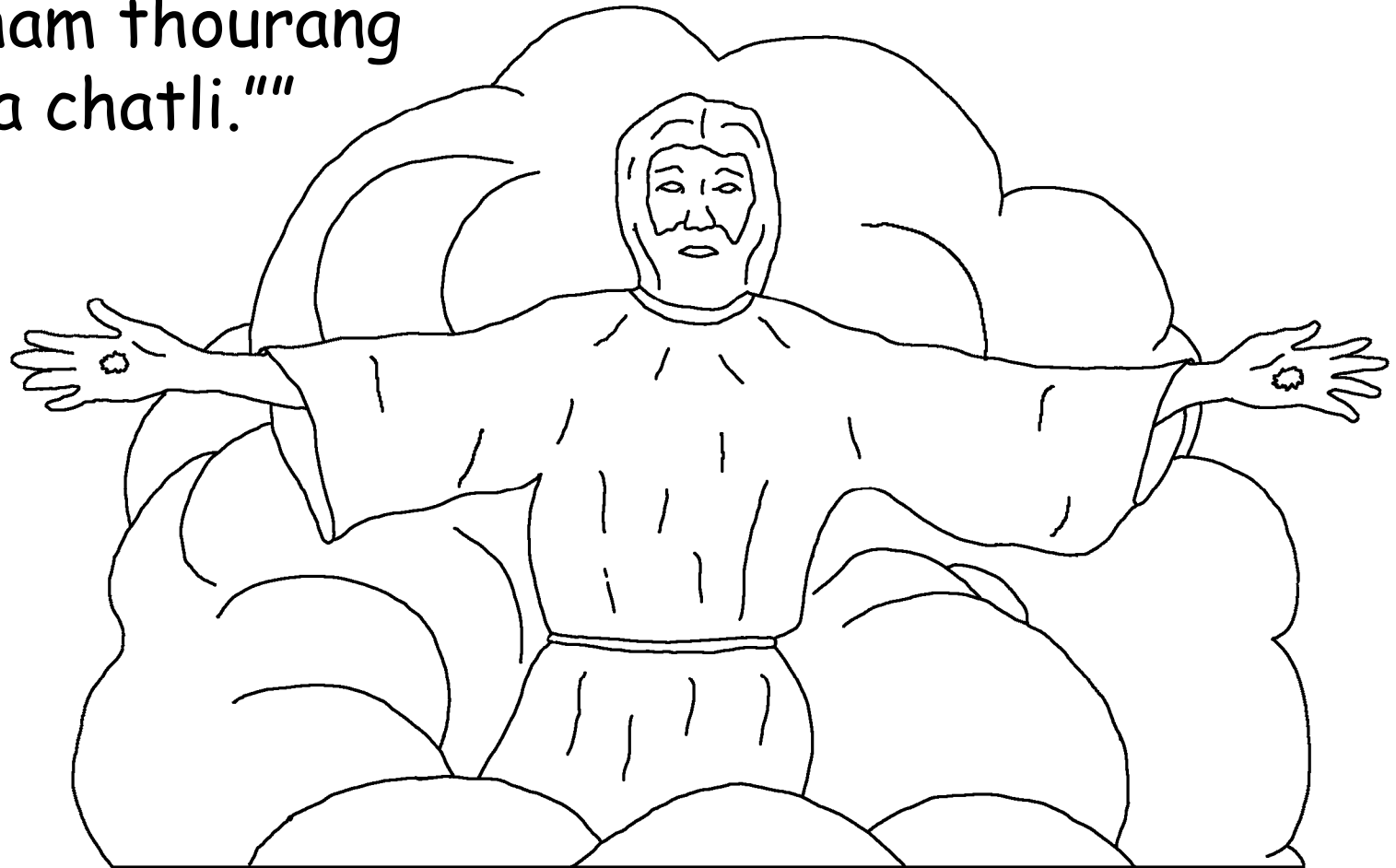
[www.BibleForChildren.org](http://www.BibleForChildren.org)



# John 14



Jisuna mahakki tung-inbasingda hairak-i, "Nakhoi pukning langtaknaganu. Tengban Mapubu thajou aduga eibusu thajou. Eigi Ipagi yumda leipham yamna lei madu natlamdrabadi eina nakhoida hairamgadabani. Eina nakhoigidamak mapham thourang toubachatli.""

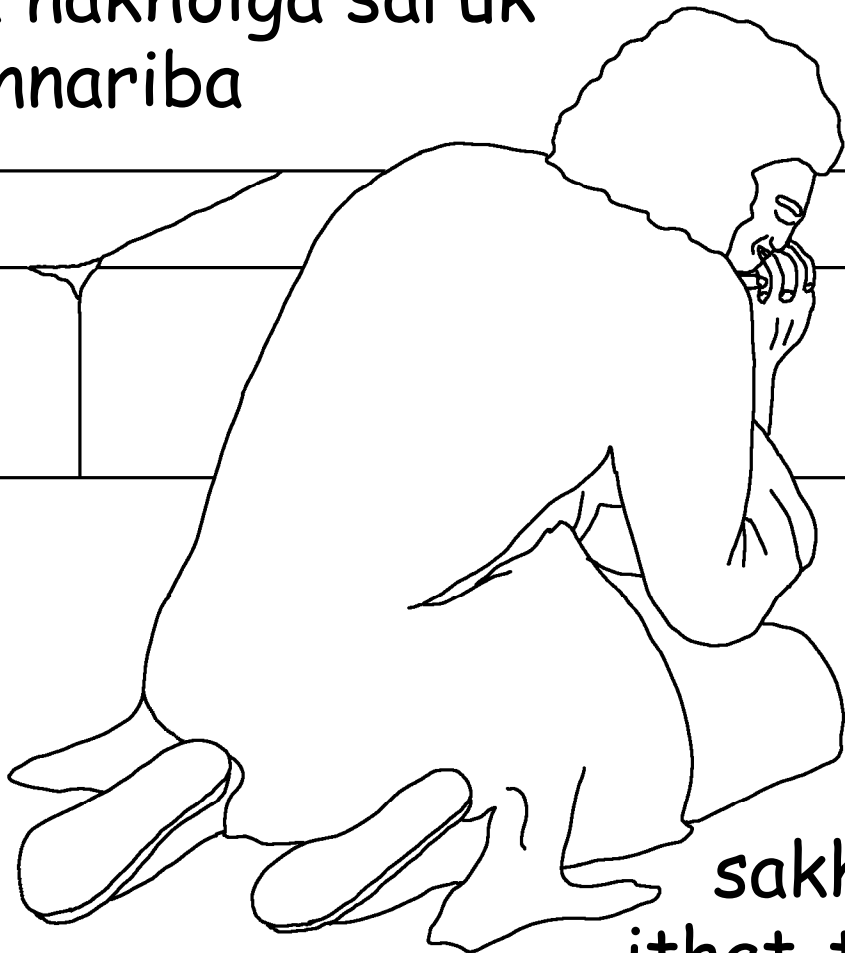


"Aduga eina chattuna nakhoigidamak mapham  
thourang touraba matungda, eina leiba mapham  
aduda nakhoisu eiga leiminnanaba eina nakhoibu  
louba lakkani.""



Nakhoigi nachin-nanao amadi Ibungogi  
Ningthouleibak adugi oiriba makhoising aduda  
lakpa awa anangsing adubu khaangheina  
khaangbada Jisugi tung-inba

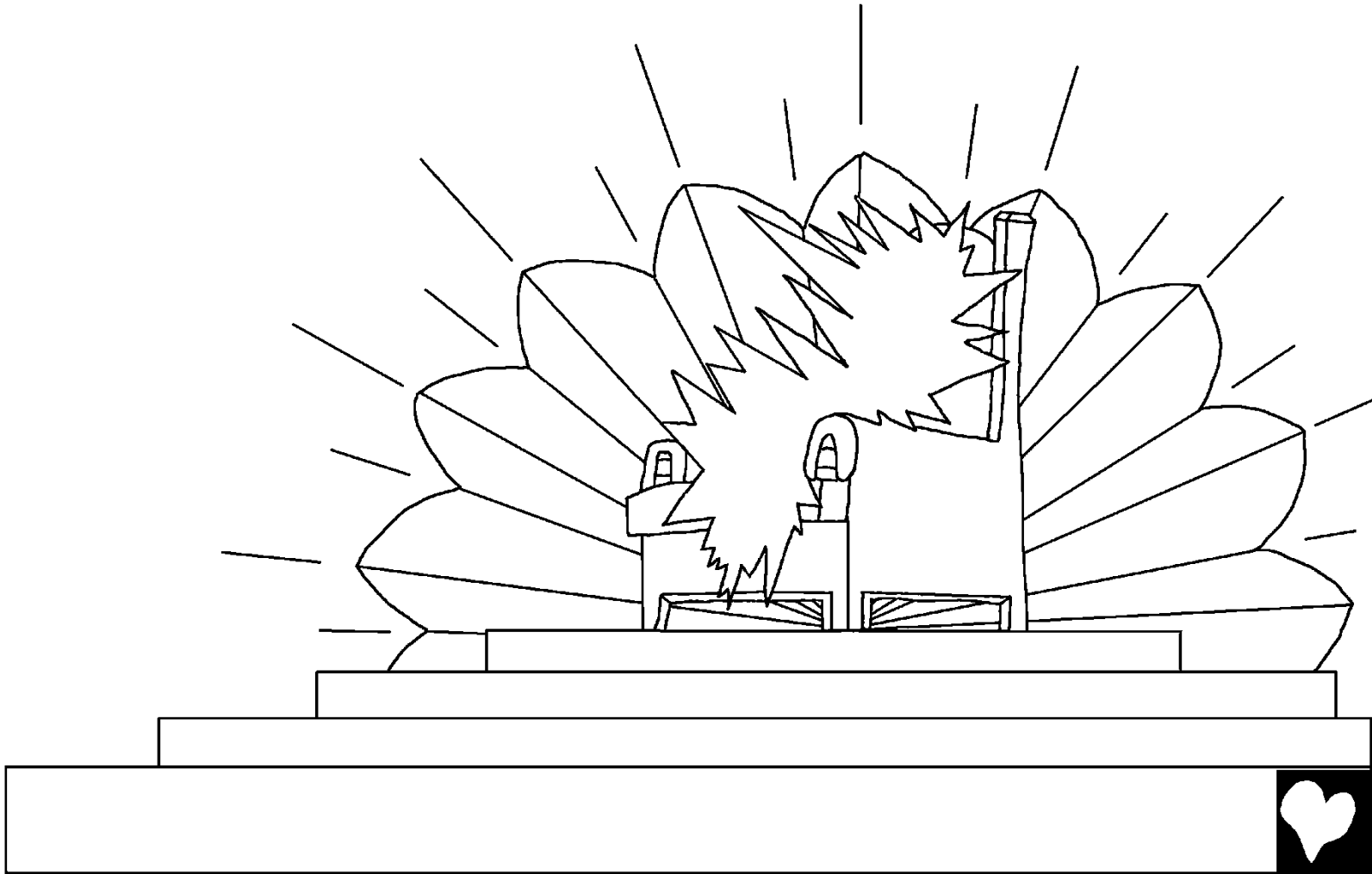
ama oina nakhoiga saruk  
phangminnariba



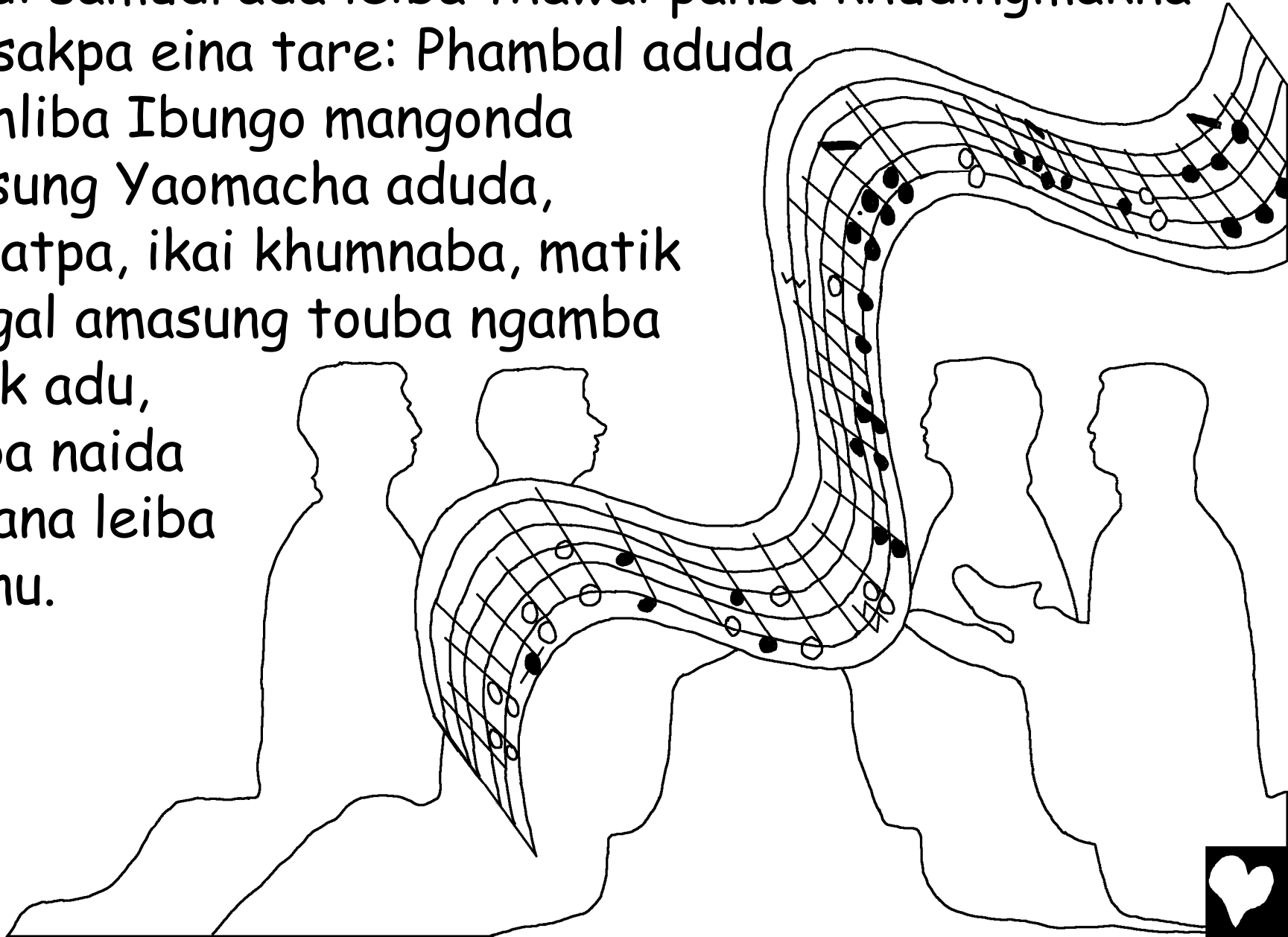
John eihakpu  
Tengban Mapugi wa  
sandokpagidamak  
amadi Jisugi  
sakhigidamak Patmos  
ithat-ta tharammi.



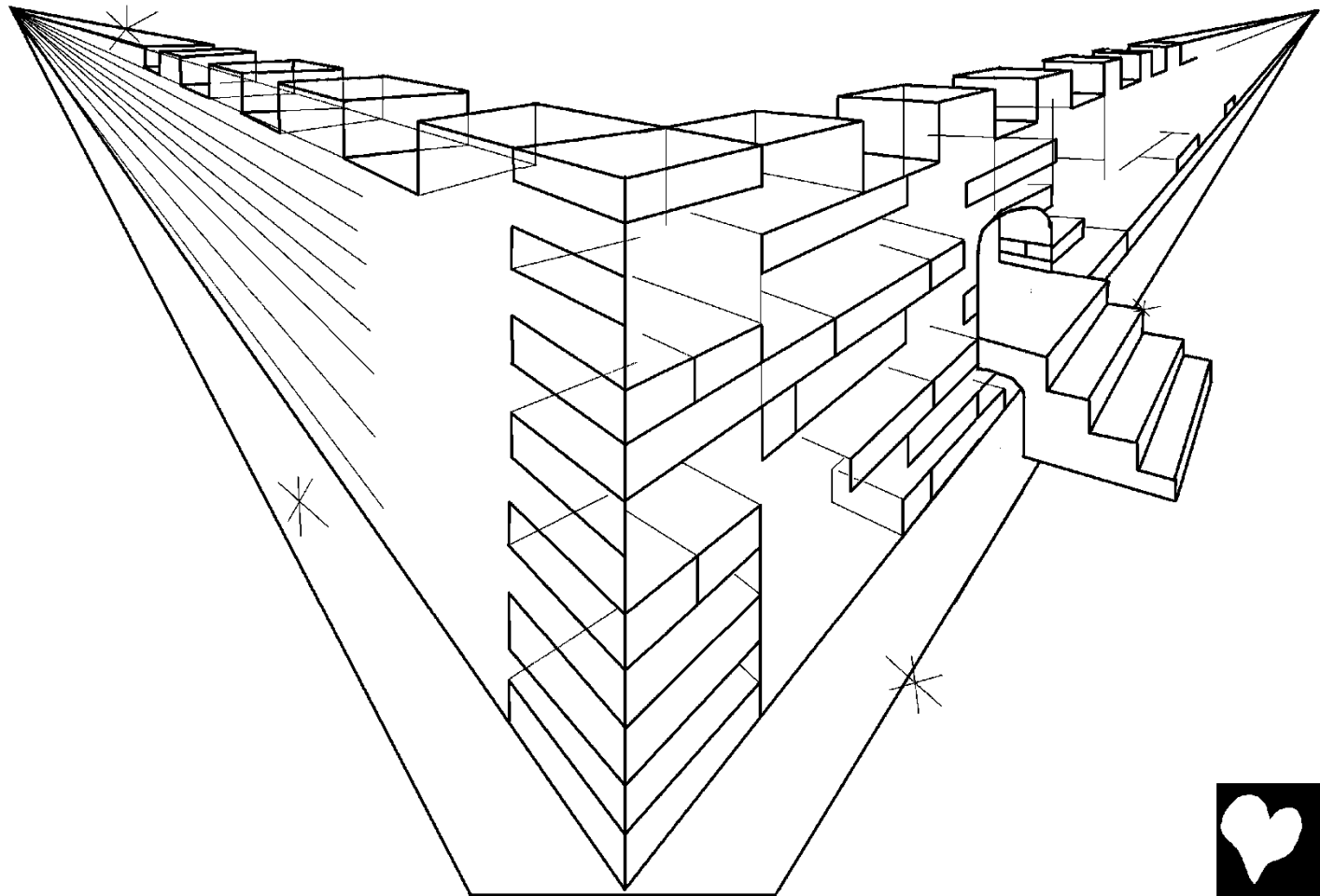
Khudak aduda ei thawaida leirammi aduga eigi  
maangda swargada phambal amada kanagumba ama  
phamduna leirammi.



Aduga swargada, malemda, malemgi leironungda  
amadi samudrada leiba thawai panba khudingmakna  
isei sakpa eina tare: Phambal aduda  
phamliba Ibungo mangonda  
amasung Yaomacha aduda,  
thagatpa, ikai khumnaba, matik  
mangal amasung toubu ngamba  
matik adu,  
lomba naida  
naidana leiba  
oisanu.

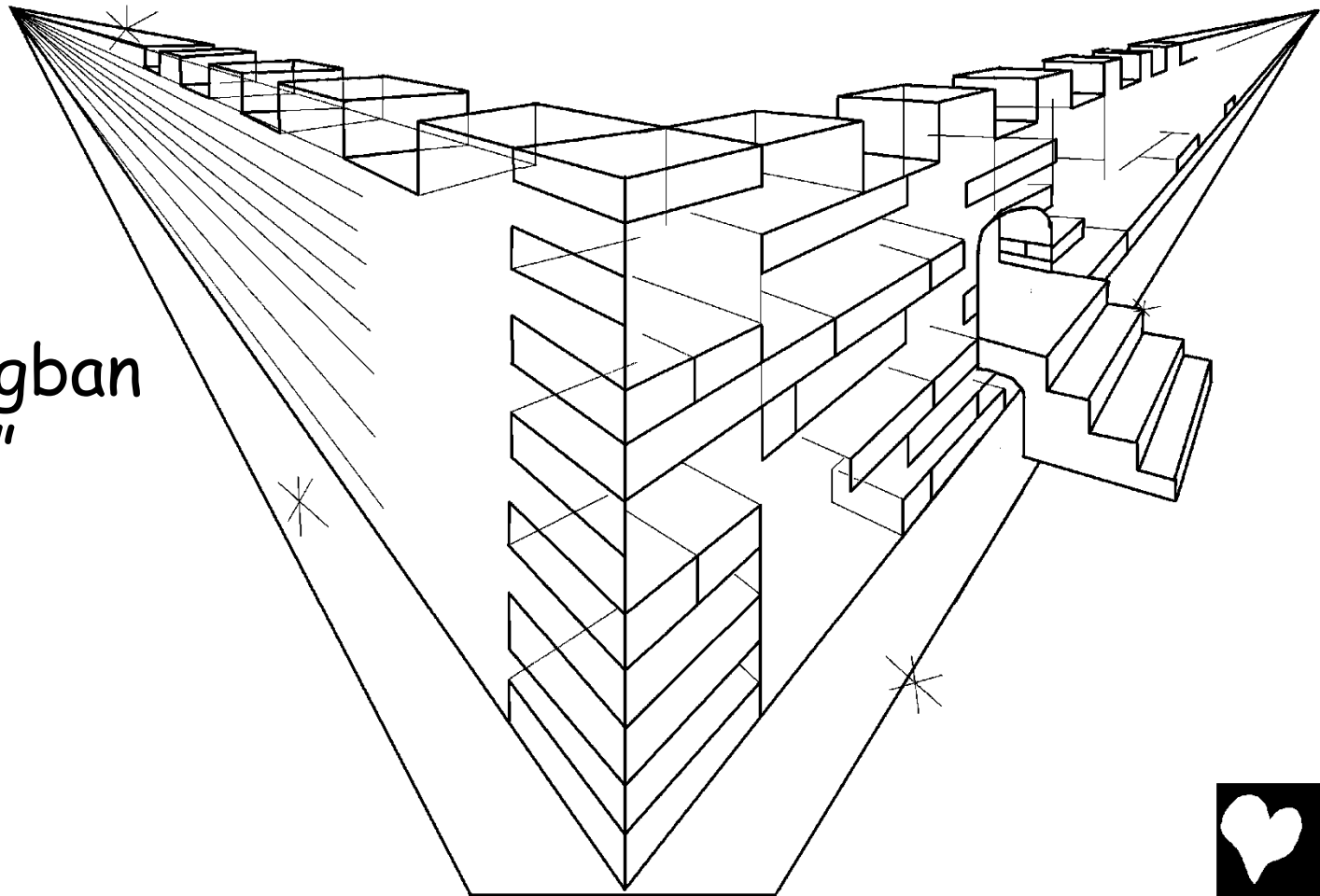


A duga Asengba Sahar, anouba Jerusalem aduna mahakki mapuroibagidamak ningthina set chaduna thourang tourabi keinya amagum Tengban Mapugi swargadagi kumtharakpa eina ure.



Amasung phambal adudagi ahouba khonjel amana  
asumna hairakpa eina tare, "Yeng-u! Tengban Mapugi  
leipham adu houjikti misinggi marakta leirare, aduga  
Ibungo mahakna makhoiga leiminnagani. Makhoi  
Ibungo magi mising oigani, aduga Tengban Mapu

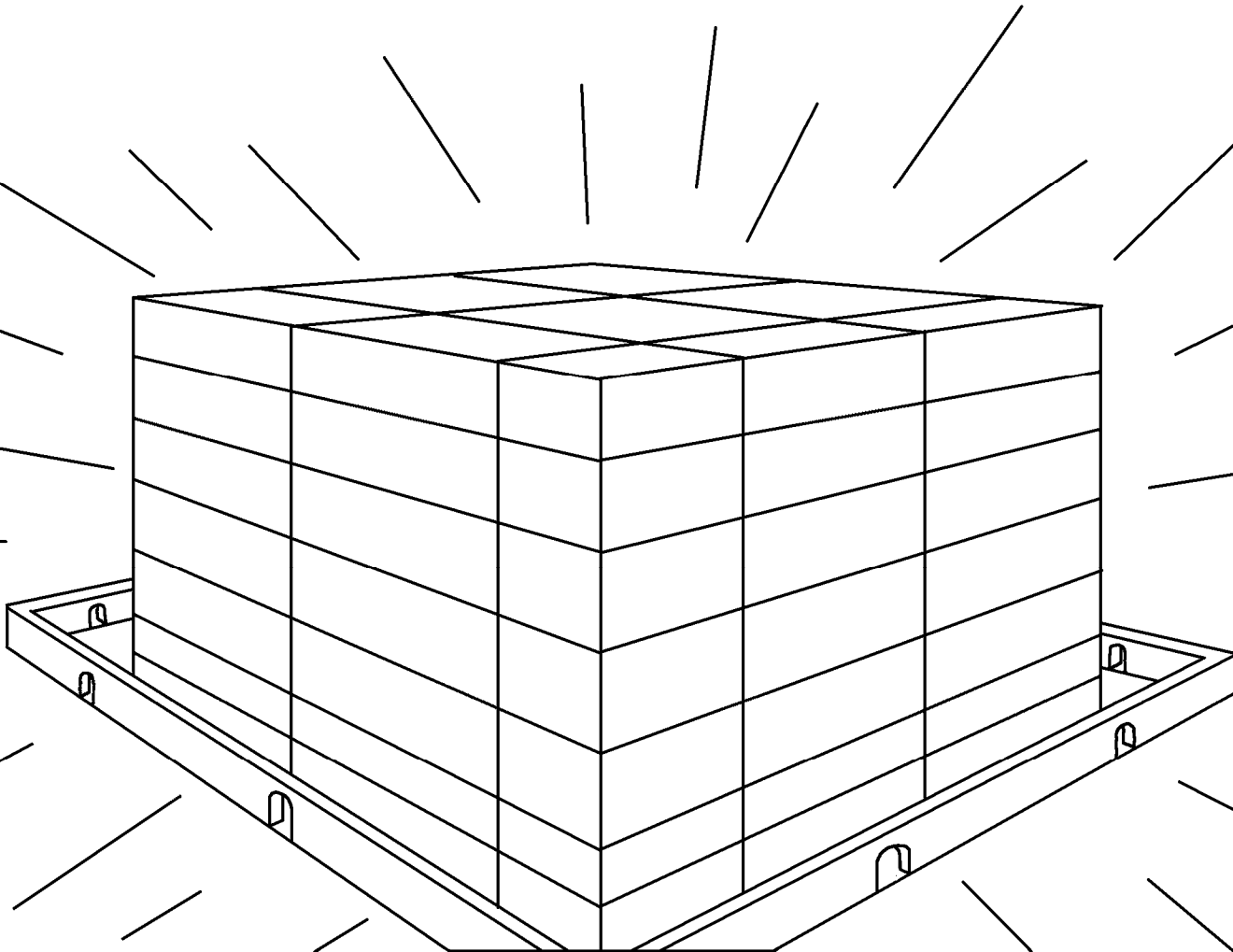
masamakna  
makhoiga  
leiminnagani  
aduga mahak  
makhoigi Tengban  
Mapu oigani."'''



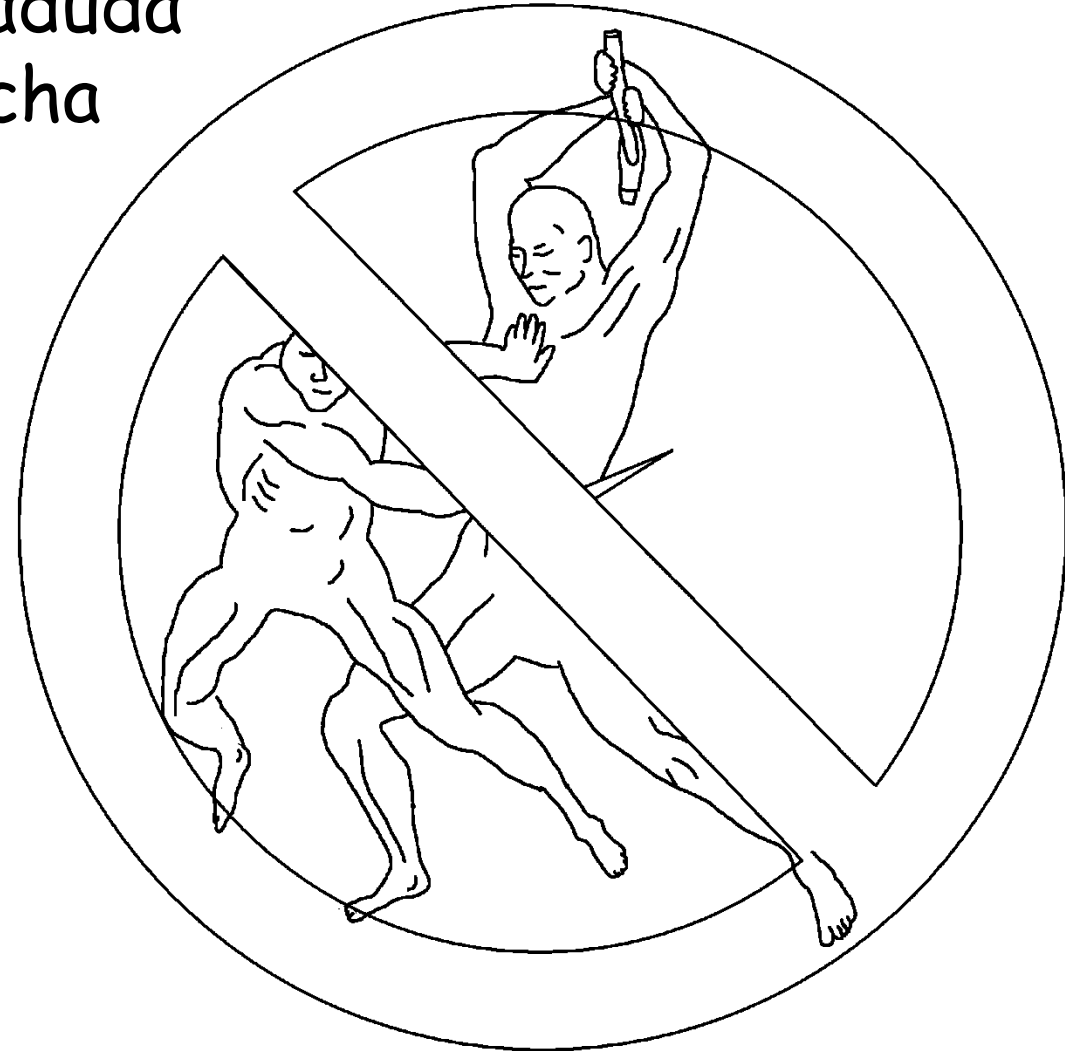
Adudagi swargadut aduna Tengban Mapugi amadi  
Yaomacha adugi phambaldagi chentharakpa  
liklaigumna langlaba hingbagi isinggi turel adu  
eingonda uhalle.



Sahar aduda ngannanabagidamak numitsu thasu  
mathou taramde, maramdi Tengban Mapugi matik  
mangalna maduda ngallammi, aduga Yaomacha  
aduna madugi thaomei oirammi.



Adubu sengdaba amata sahar aduda changloi, aduga  
ikainingai oiba thabak touba nattraga minamba  
ngangba kana amata maduda  
changloi, adubu Yaomacha  
adugi hingbagi lairikta  
maming isinkhraba  
makhoina sahar  
aduda changgani.



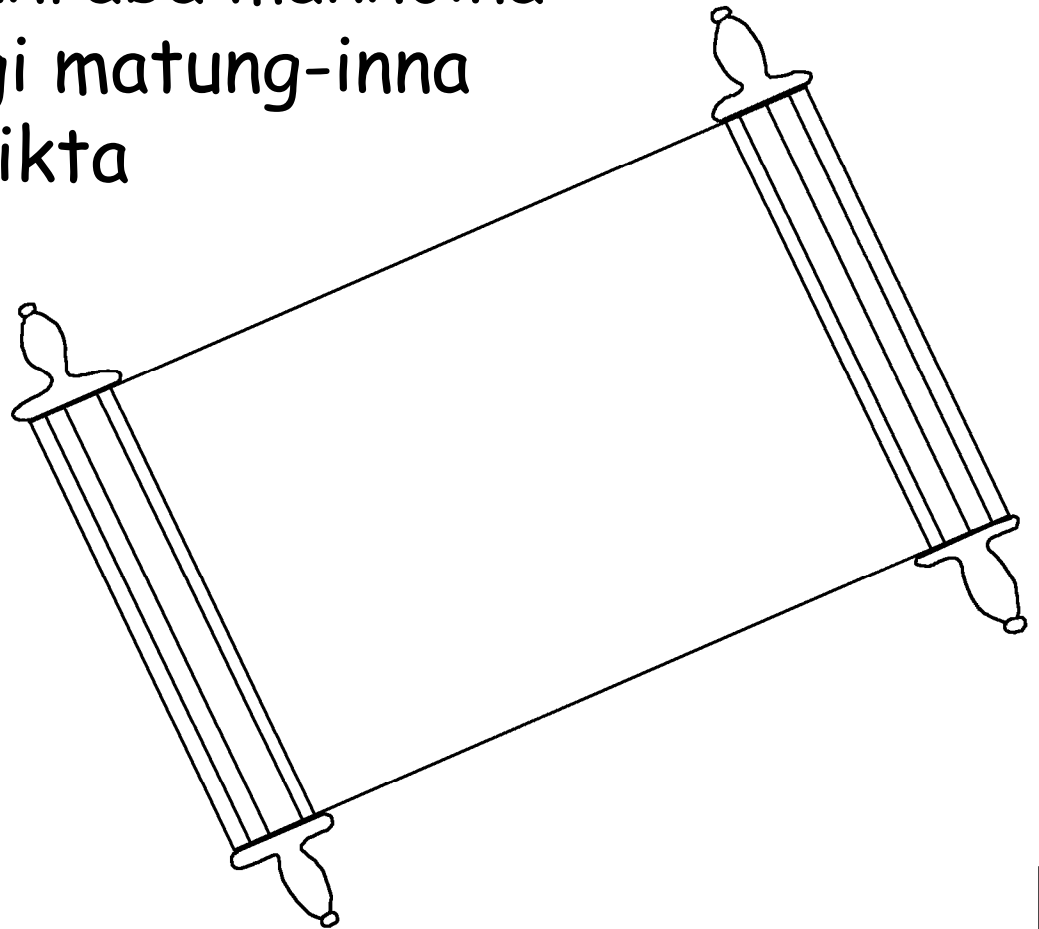
“Ibungo mahakna makhoigi  
mittagi pirang pumba  
teithokpigani. Amuk hanna  
siba, awaba, kappa amadi  
naba leiraroi, maramdi  
ariba potsing lantokkhre.””



Sahar aduda sirap amata amuk hanna leiraroi.  
Mapham aduda Tengban Mapu amasung Yaomacha  
adugi phambal leigani aduga Ibungogi manaisingna  
Ibungobu thouganjagani. Makhoina Ibungogi  
maithong ujugani,  
aduga makhoigi  
maraibakta  
Ibungogi ming  
leigani.



Aduga eina asibasing, achou pihak naidana phambal  
adugi mangda leppa eina ure. Lairiksing adu  
hangdogle, aduga atoppa lairik ama haibadi hingbagi  
lairik adu hangdogle. Aduga asibasing adubu lairik  
aduda isinduna thamkhraba makhoina  
toukhiba thabak adugi matung-inna  
wayelle. Hingbagi lairikta  
Makhoigi ming isinba  
phangdaba  
makhoising adubu  
meigi pat aduda  
hunjille.



Thawai amasung keinya aduna hai, "Lak-u."" Aduga  
masibu tariba pumnamaknasu haisanu, "Lak-u!"" Lak-u,  
khouranglaba khudingmak amadi hingbagi ising asibu  
pamjaba mahak aduna masibu khudolpot ama oina  
lousanu.



Tengban Mapuna taibangpanbabu  
asukki matik nungsibire aduna mahakki  
amatta ngairaba Machanupa adu pibire,  
maram aduna Machanupa adubu  
thajaba mi khudingna mangdaduna  
lomba naidaba hingba  
phangjananabani.



Rome 3:23

maramdi mi pumnamak pap tou-i amasung Tengban  
Mapugi matik mangaldagi sotthei.

Rome 6:23

Maramdi papki atoumandi sibani, adubu Tengban  
Mapugi khudoldi eikhoigi Ibungo Christta Jisuda  
lomba naidaba hingbani.

Hebrew 9:27

Mi pumnamak amuk siba madugi matungda Tengban  
Mapuna wayenba haibasi soidrabani.



## Ephesus 2:8,9

Maramdi thajabagi mapanna nakhoibu kanbiba adu Tengban Mapugi thoujal mapalnani. Madu nakhoigi hotnajabagi maheina natte adubu Tengban Mapugi khudolni. Madu misingna chaothoktanabani.

## Rome 10:9,10

Nahakna nahakki nachinna "Jisudi Mapu Ibungoni," haina haidokcharabadi amasung Tengban Mapuna mahakpu asibasinggi maraktagi hinggat-hanbire haina nahakki thamoida thajarabadi nahakpu kanbigani. Maramdi eikhoigi thamoina thajaduna chumhanbire aduga eikhoigi ichinna haidokchaduna kanbiba phangjare.



## John 3:16,17

Tengban Mapuna taibangpanbabu asukki matik nungsibire aduna mahakki amatta ngairaba Machanupa adu pibire, maram aduna Machanupa adubu thajaba mi khudingna mangdaduna lomba naidaba hingba phangjananabani. Tengban Mapuna mahakki Machanupa adubu wayennaba taibangpanda thabiba natte adubu mahakki mapanna taibangpanbabu kanbinanabani.

## 1 John 5:11-13

Sakhi adu asini, Tengban Mapuna eikhoida lomba naidaba hingba pibire, aduga hingba adu mahakki Machanupa aduda lei. Machanupa adubu phanglaba mahak aduna hingba adu phangle; Tengban Mapugi Machanupa adubu phangdaba mahak aduna hingba adu phangde.

Tengban Mapugi Machanupagi mingda thajaba nakhoida lomba naidaba hingba lei haibasi nakhoina khangnanaba waramsing asi eina nakhoida i-bani.



John 14; 2 Corinth 5; Phongdokpiba 4, 21, 22

Storyline by: Edward D. Hughes

Illustrated by: Lazarus  
and Alastair Paterson

Adapted by: Sarah S.

Meitei NT (mni) © 2022 The Word For The World  
International and NECTAR

<https://www.bible.com/bible/3297/MAT.1>

©2026 Bible for Children, Inc.

[www.M1914.org](http://www.M1914.org)

[www.bibleforchildren.org](http://www.bibleforchildren.org)

