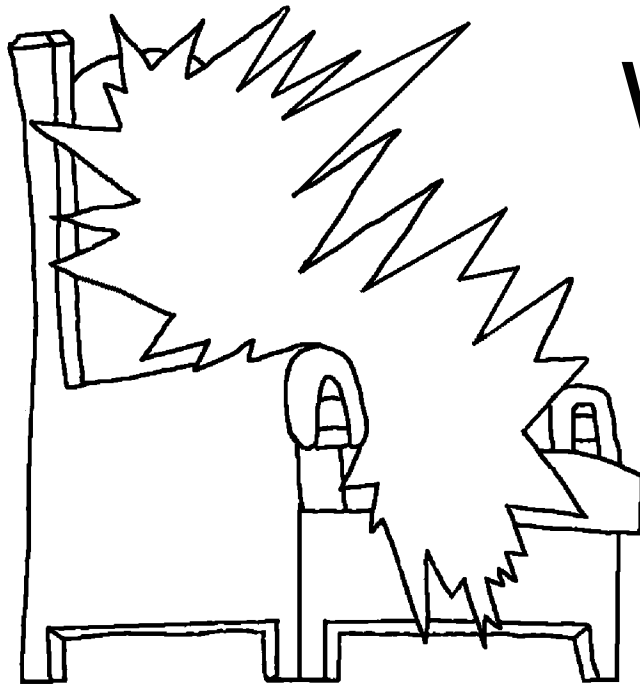


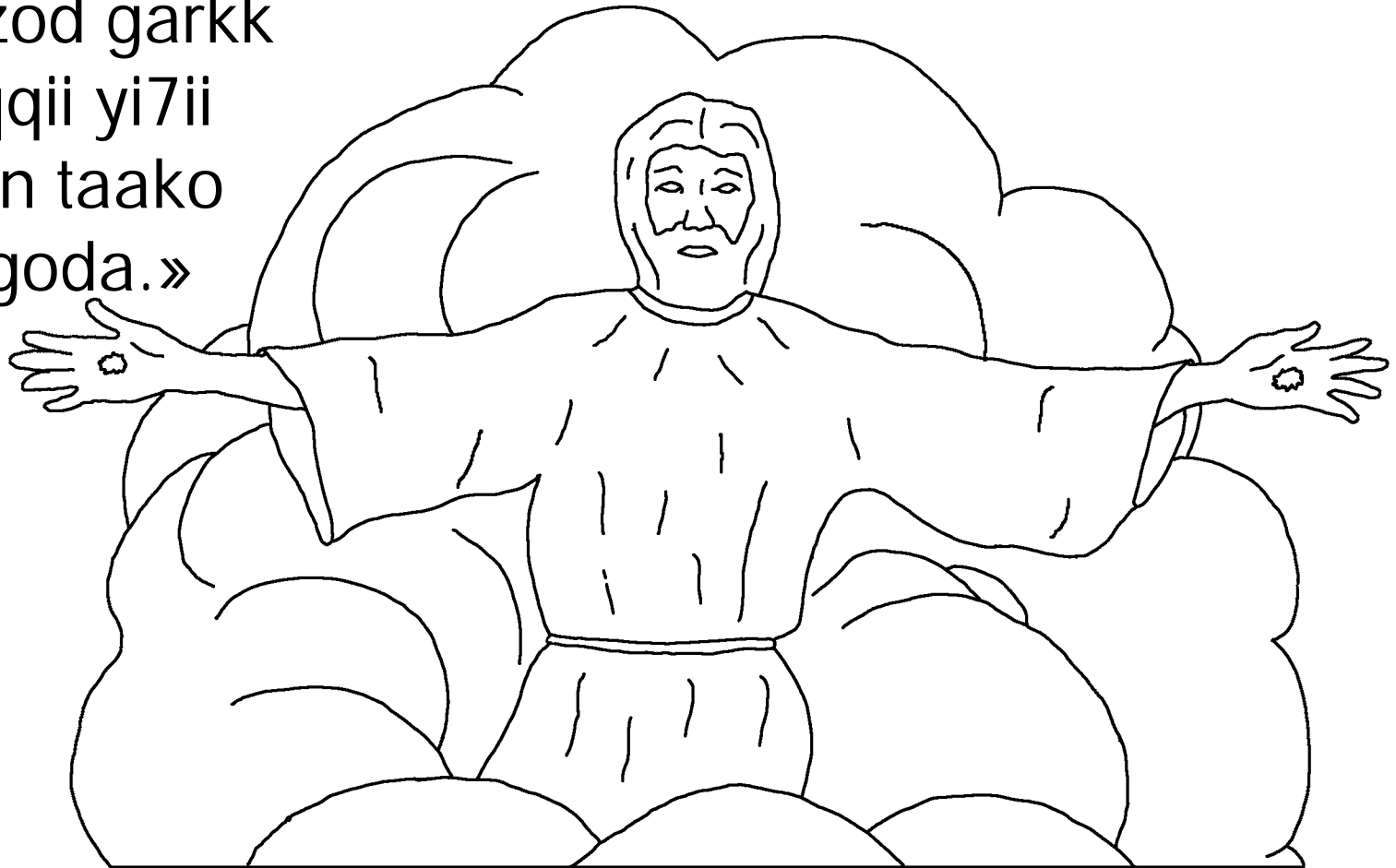
www.BibleForChildren.org



Waannisa 14



Yesuusa fa tamaritayiko, «Yi wozinay un77inttipe,
Xooss ammanoytta, tanakka ammanoytta. Ta Aday kara
gaame aqo yeza. Taanii yinttis bessi giigisodayis
yhanigiza. Yeya maaqqekkazako taanii yinttis ododizin.
Taanii yhanigii bessi giigiseezaypp guye taanii yeza aqo
yi yezod garkk
maaqqii yi7ii
yinttan taako
kanggoda.»

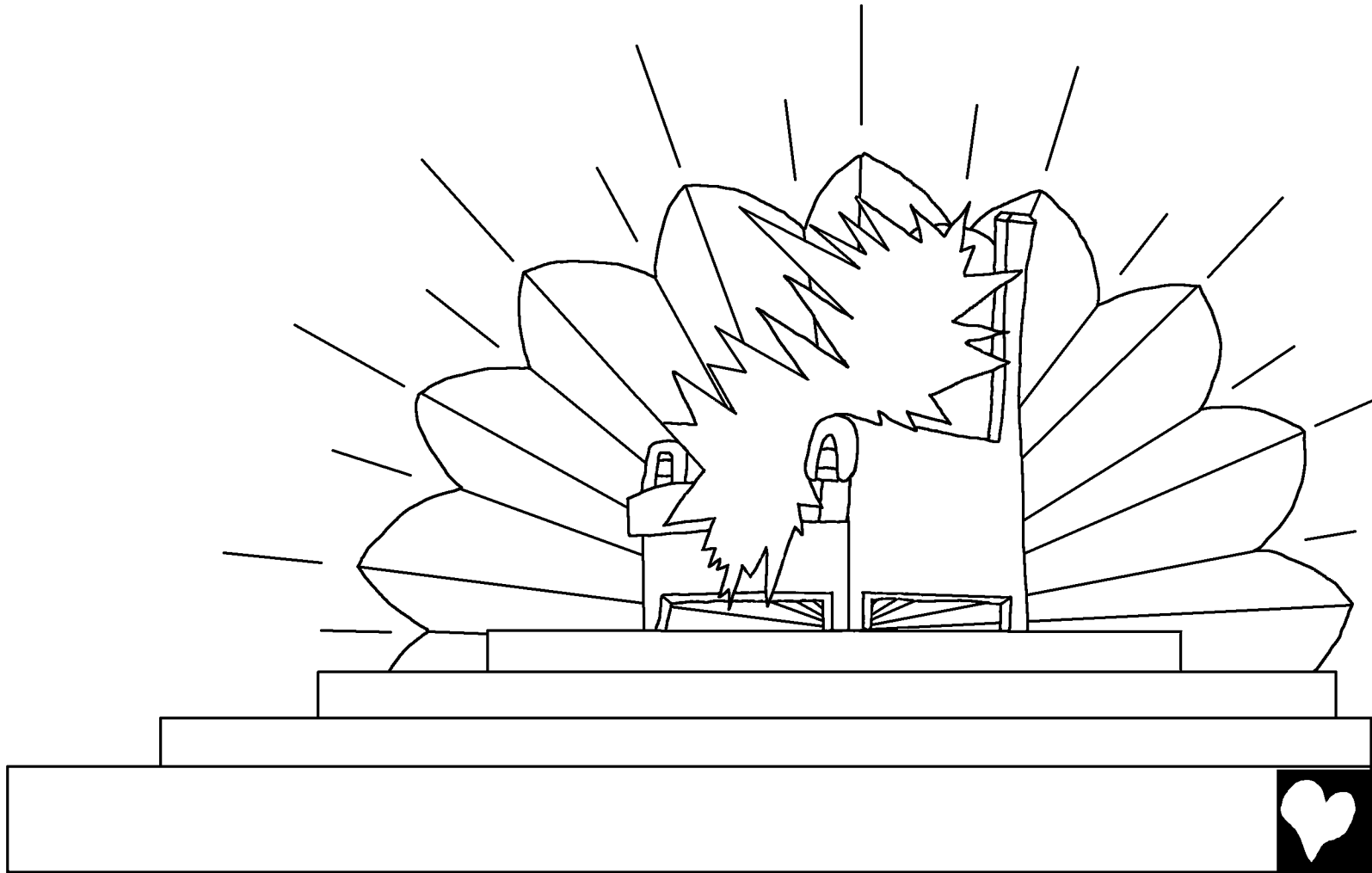


Taanii, Waannisa, yi ishaya, yinttar pettipp Yesuusar e meto, e kaatetithannee e danda7a be7eeza. Taanii Xooss qaala gishonnee Yesuusabaz

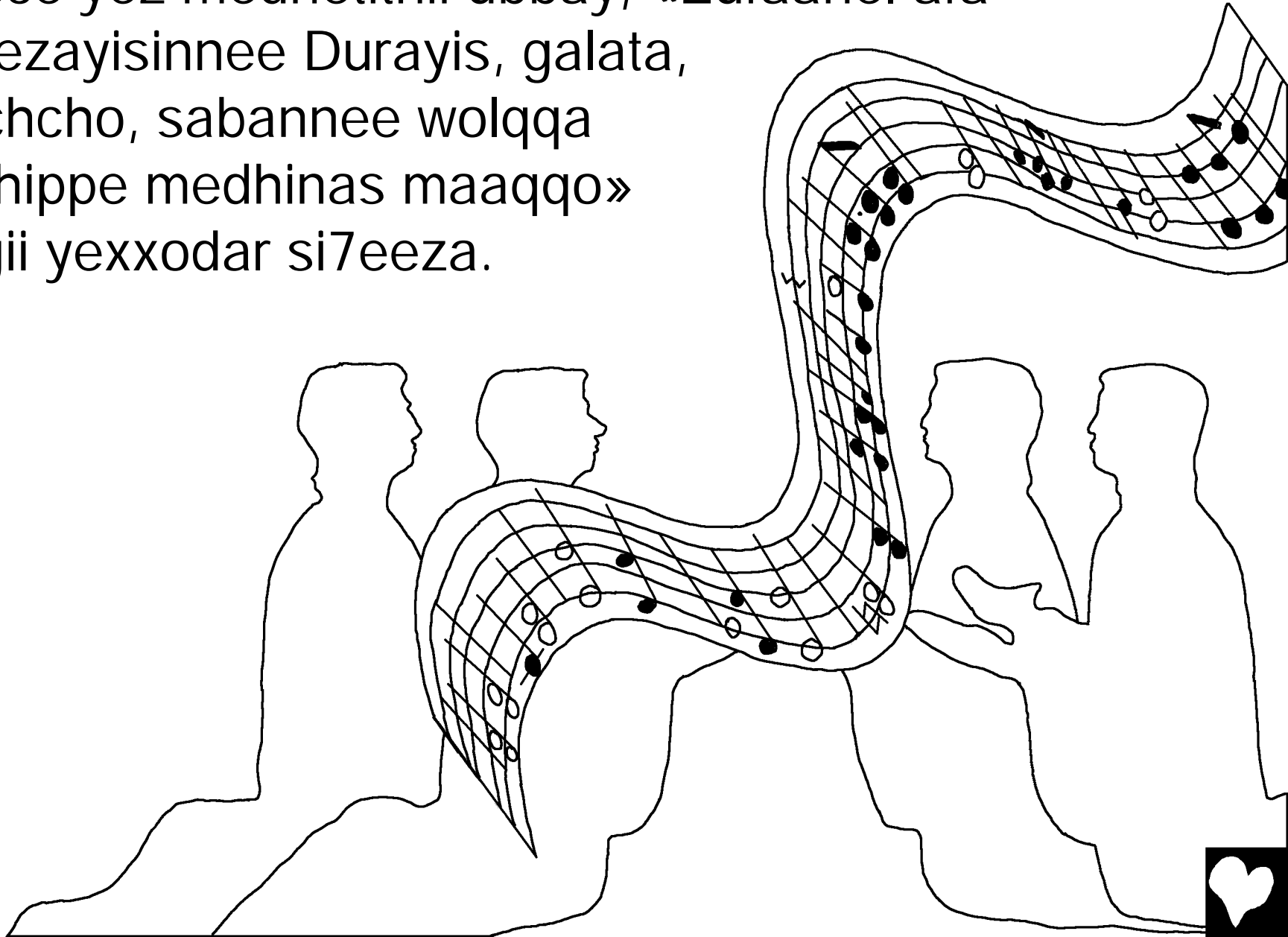
markkatteez gishos Piximo giz haathar marintteez biittal ta yeza.



Ye wode ta Ayyanar kumii yeza. Yikkee, salo zufaane
be7eeza zufaanaayil afa petta beteezana be7eeza.

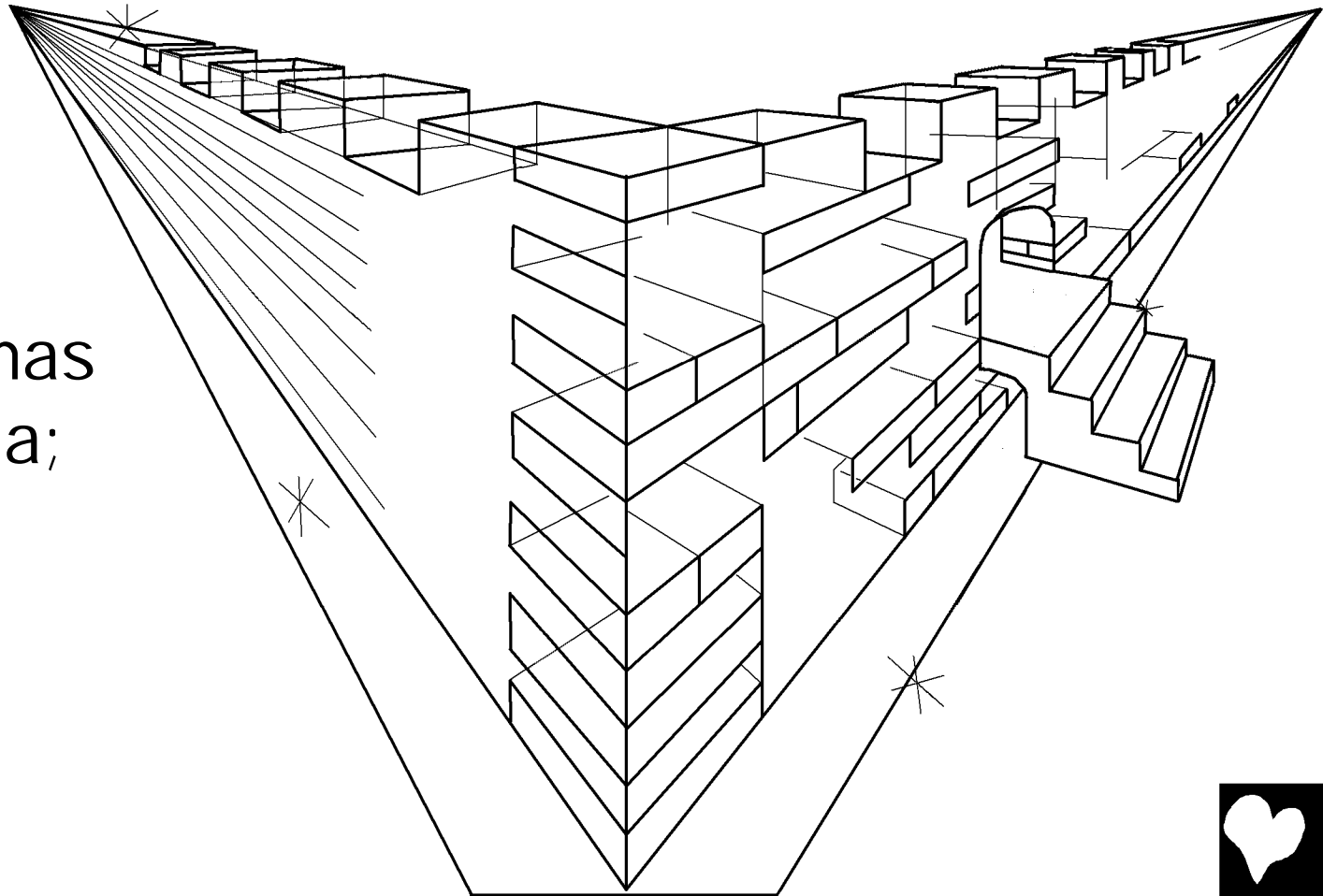


Yeypp guye, sa7a, salo, sa7app oommorannee abba
gancce yez medhetithii ubbay, «Zufaanel afa
beteezayisinnee Durayis, galata,
bonchcho, sabannee wolqqa
medhippe medhinas maaqqo»
yeegii yexxodar si7eeza.

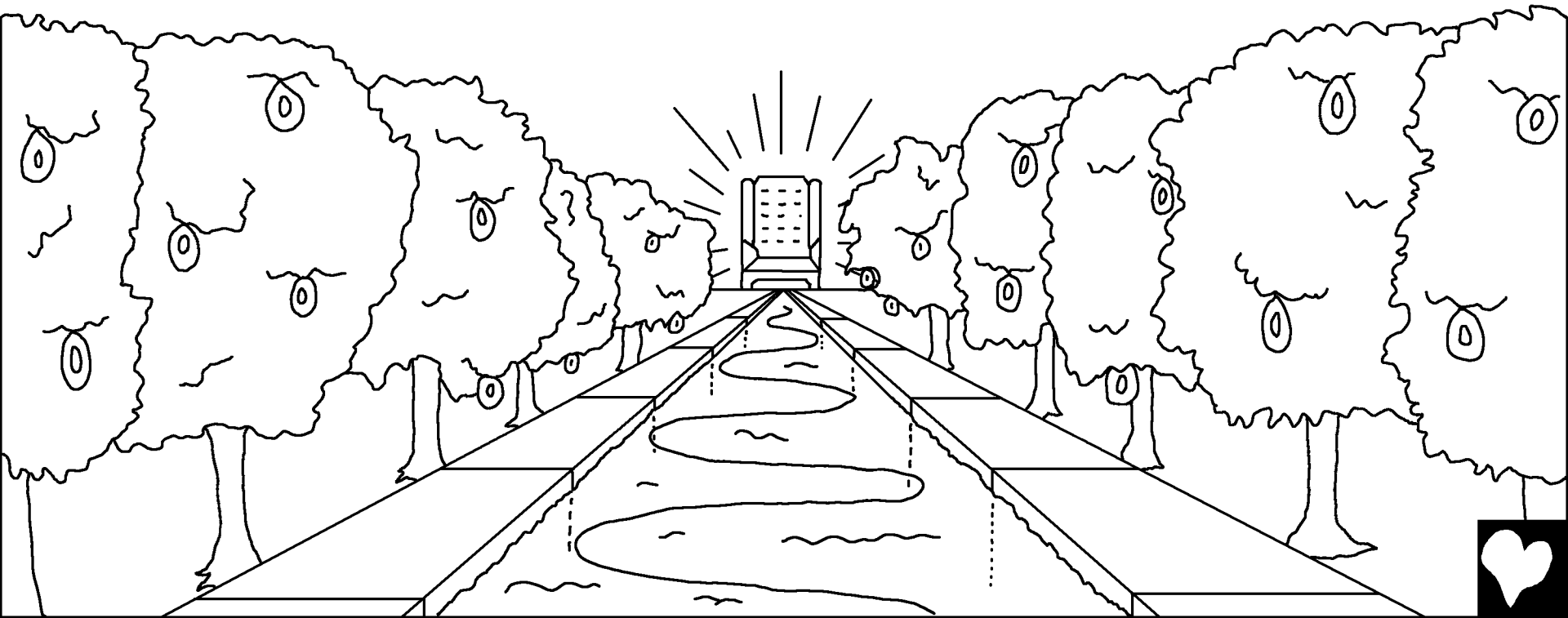


Geeshsha katamita, oroth Yerusalaame, azin gelodayis
buqurinttii giigii yez maachch garkk salo Xooss kalepp
sul wodhdhodar ta be7eeza. Yey garkkekka
Zufaanaypp yhay garkk yeegii, odiza gita qaala ta
si7eeza; «Xooss Keethay asay gancce yeza; E

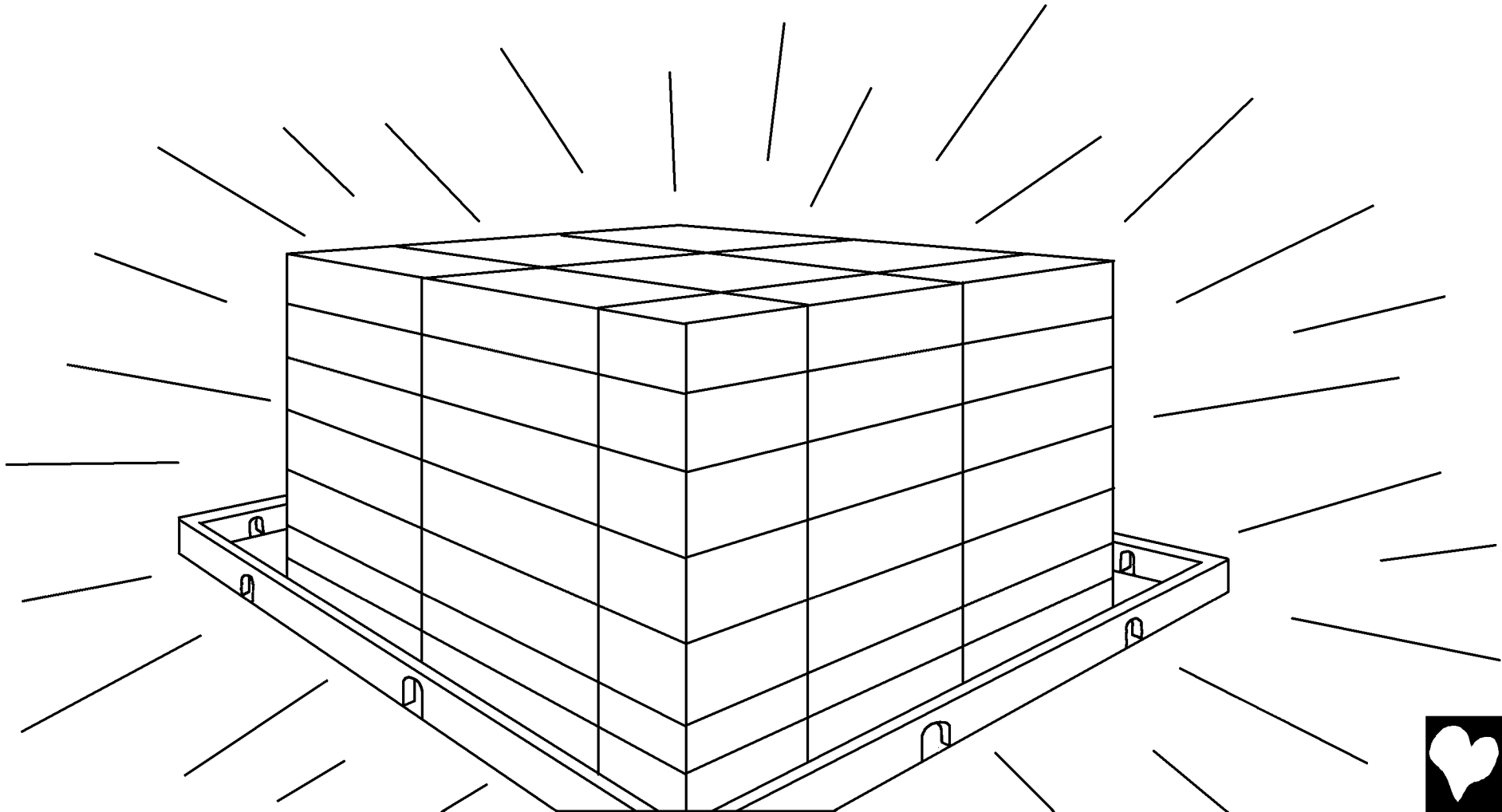
unttarakk
yessada. Unttii
e woya
maaqqoda;
Xoossii fa ommas
unttara yessada;
E u Xoossa
maaqqoda.»



Yeypp guye, kiitanchchay tana Xooss
zufaanaayppennee Duray zufaanaaypp goggiz
burcuko garkk pociz gita de7o haath ta
beezeza.



Xooss bonchcho ye katamitis poo7iza gishonnee Duray
lis xomppe maaqqeez gishos katamitis awa woy agina
poo7o koshshooya.



Durayis maaqqeezayinnee de7o maxaafayid sunthay
xaafintteezitay aaddapp attin tunabaz woy
piilintizabaz ootheez woy
worddo odiz oonkka
ye katamito
yesha gelaamii.



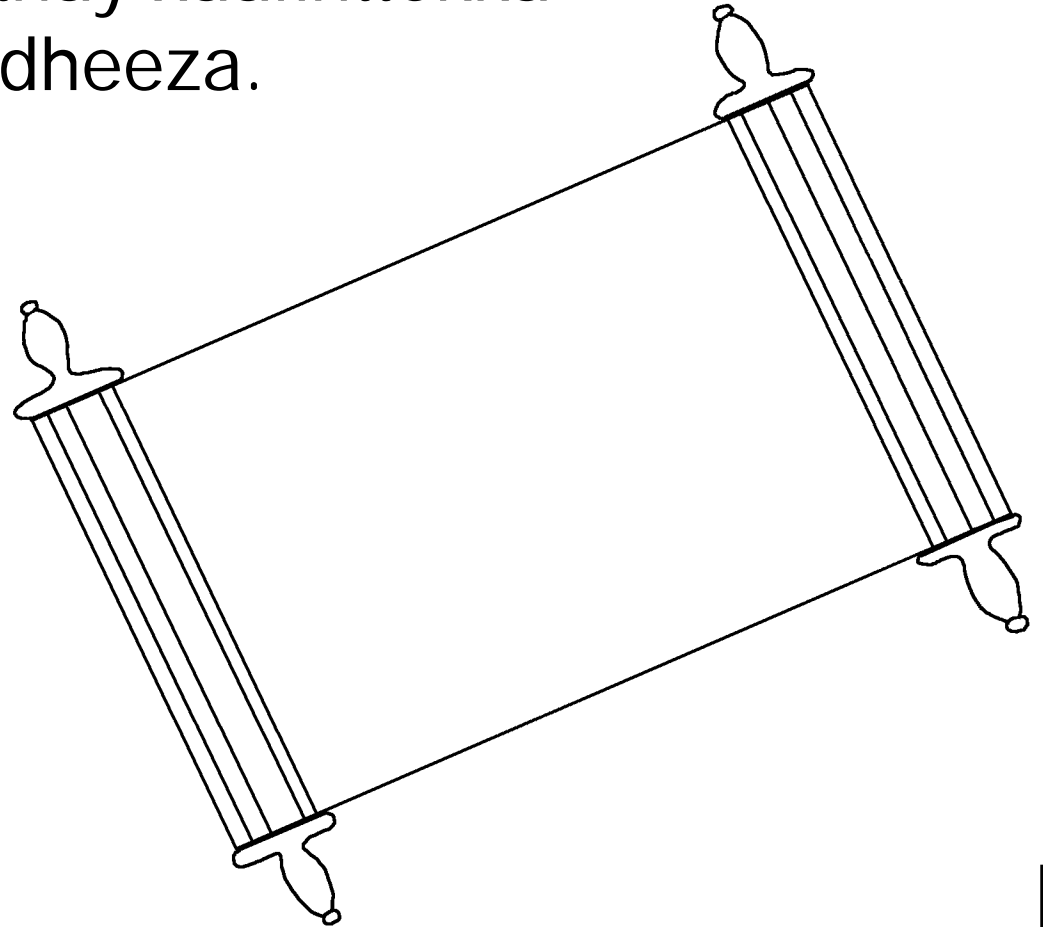
«Xoossii u aafaypp afuth ubba uccoda. Binii wogay aadheedz gishos yhayiqo, kaya, uufonnee waaye baaya» yeegeeza.



Yhanpp guye aba baadithii yezaamii. Xooss zufaanannee Duray zufaananay ye katamayid yezoda. E ayllitay Eza goynnoda. Untii e aafa be7ada; e sunthay u sinol xaafinttoda.



Yhayqqeez, damitaynnee xiqqitay zufaanaay tiina
eqqeezana ta be7eeza; maxaafitay dooyintteeza; ma
hara de7o maxaafaykka dooyintteeza. Yhayqqeez itay
maxaafayid xaafintteez fa oosay garkk pirdda ekkeeza.
De7o maxaafayid sunthay xaafinttekka
oonkka tama abba wodheeza.



Ayyaanaynnee gelodayis giigeez maachchat, «Yhana ye7oba» yeegiza. Ma yhaya si7iz oonkka, «Yhana ye7oba» yeego. Saamintteez oonkka yhana ye7o; de7o haath koyiz oonkka ciga bayth cer ekkii uzho.



Xoossay yha alame qadhdheez
gishos fa Na7a petta aath inggod
hellodayis cer doseezay eza
ammaniza ubbitay medhina
laattoday garkkepp attin
dhabaamay garkke.



Romans 3:23 Asii ubbay nagara ootheeza; Xoossii unttis inggeez bonchchaypp facceza.

Romans 6:23 Nagaras damoozay yhayiqo. Zin Xoossay, nu Goda Kiristtoos Yesuusa baggar ingginttizay medhina de7o.

Hebrews 9:27 As ubbayis pettii toke yhayqqodayis yeypp guye pirddinttodayis beeziza.

Ephesians 2:8,9 Yi paxeezay ammano baggar E aadho keehatithayira. Yeykka, Xooss imotapp attin yi oosor benttekkaya. Oonkka ceeqinttaamay garkk paxotith aadho keehatithay bentteezay as oosor baaya.



Romans 10:9,10 «Yesuusa Goda» gi ne doonar markkatikonnee Xoossay eza yhayiqopp dentheezana ne wozinar ammaniko, ne attoda. A sii fa wozinar ammanii xilliza; fa doonar markkattii attiza.

John 3:16,17 Xoossay yha alame qadhdheez gishos fa Na7a petta aath inggod hellodayis cer doseezay eza ammaniza ubbitay medhina laattoday garkkepp attin dhabaamay garkke. Xoossay fa Na7a yha alame kiitteezay alame pirddodayis baazin alama E baggar ashshodayisii.

1 John 5:11-13 Yikkee, markkatithay yhay; Xoossii nuus medhina de7o inggeeza; ye de7aykka e Na7ayir yez yeegizaya. Xooss Na7ay yez ooskka de7o yeza. Xooss Na7ay baa ooskka de7o baaya. Xooss Na7a ammaniza yinttis medhina de7o yezana yi eroday garkk yhay yinttis ta xaafeeza.



Waannisa 14; 2 Qoronttoosa 5; Waannisa
Qonccitha 4, 21, 22

Storyline by: Edward D. Hughes

Illustrated by: Lazarus
and Alastair Paterson

Adapted by: Sarah S.

Melo NT (mfx) The Word for the World Ethiopia

<https://www.bible.com/bible/4133/MAT.1.MELONTL>

©2026 Bible for Children, Inc.

www.M1914.org

www.bibleforchildren.org

