

www.BibleForChildren.org



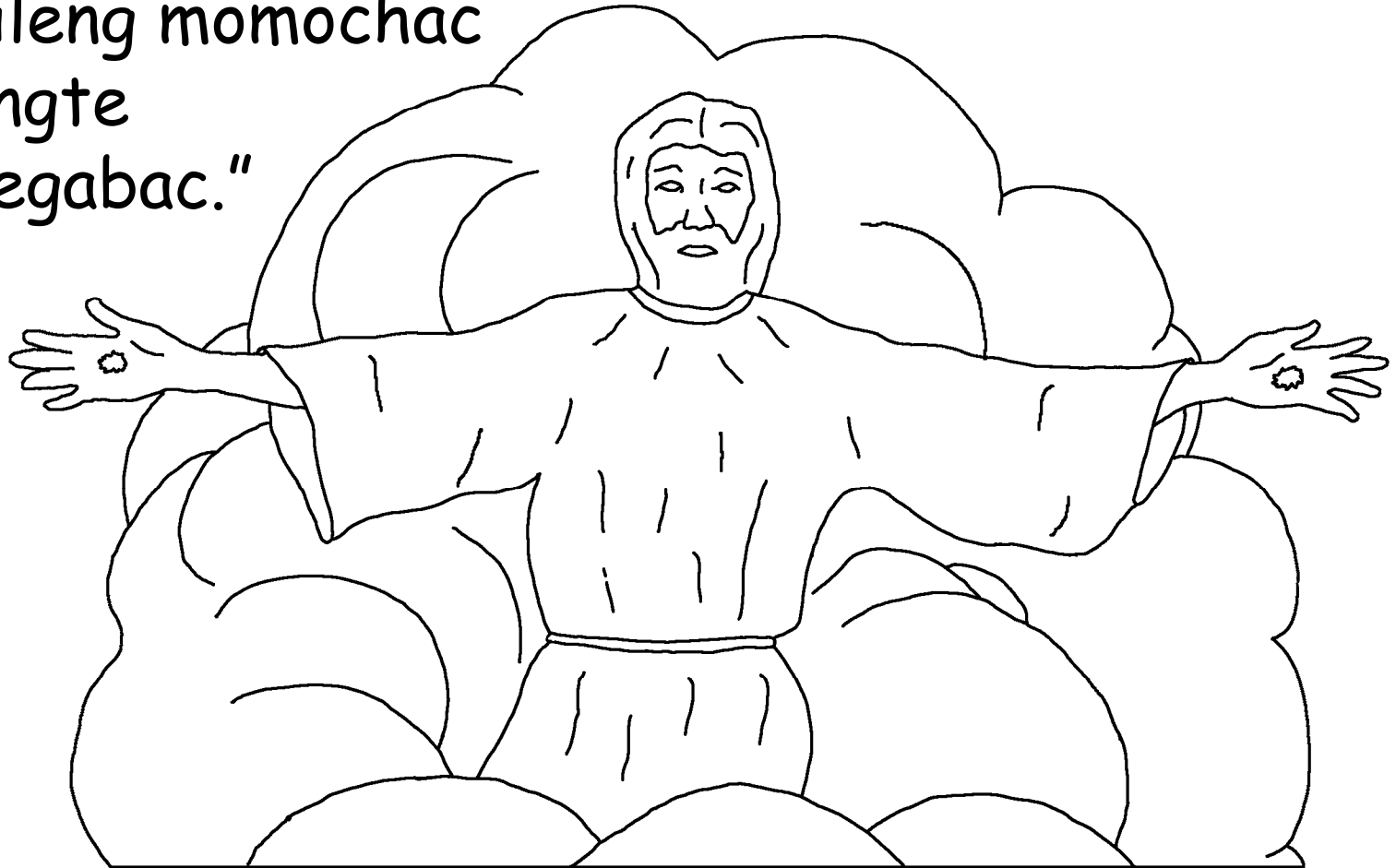
Yoane 14



"Ngenge kwelengineng mi umaledaic. Ngenge Wapong
ngagesingkelu, na inguchac ngagesingnudabiyeng.
Nale Mamacte macka mac kweline bocyac fagac."



"Yogo mi fadecka midec, na yanguc mi edocngebadaba, 'Na ngengele mac kweline bamockenogale hikedacte.' Ailu ngengele mac kweline bamockenogale hikedactewa, hatacmac hefaliye kwesilu mengocngebadacte. Na gadacte, iwahac nongileng momochac ganangte ngagegabac."



Na Yoanedi Wapongte yowale nga Yesule mibe
yegengkewecte ailu Patmos nucka gaiba. Na
ngengele ngic hae-gbangineng, ngenge

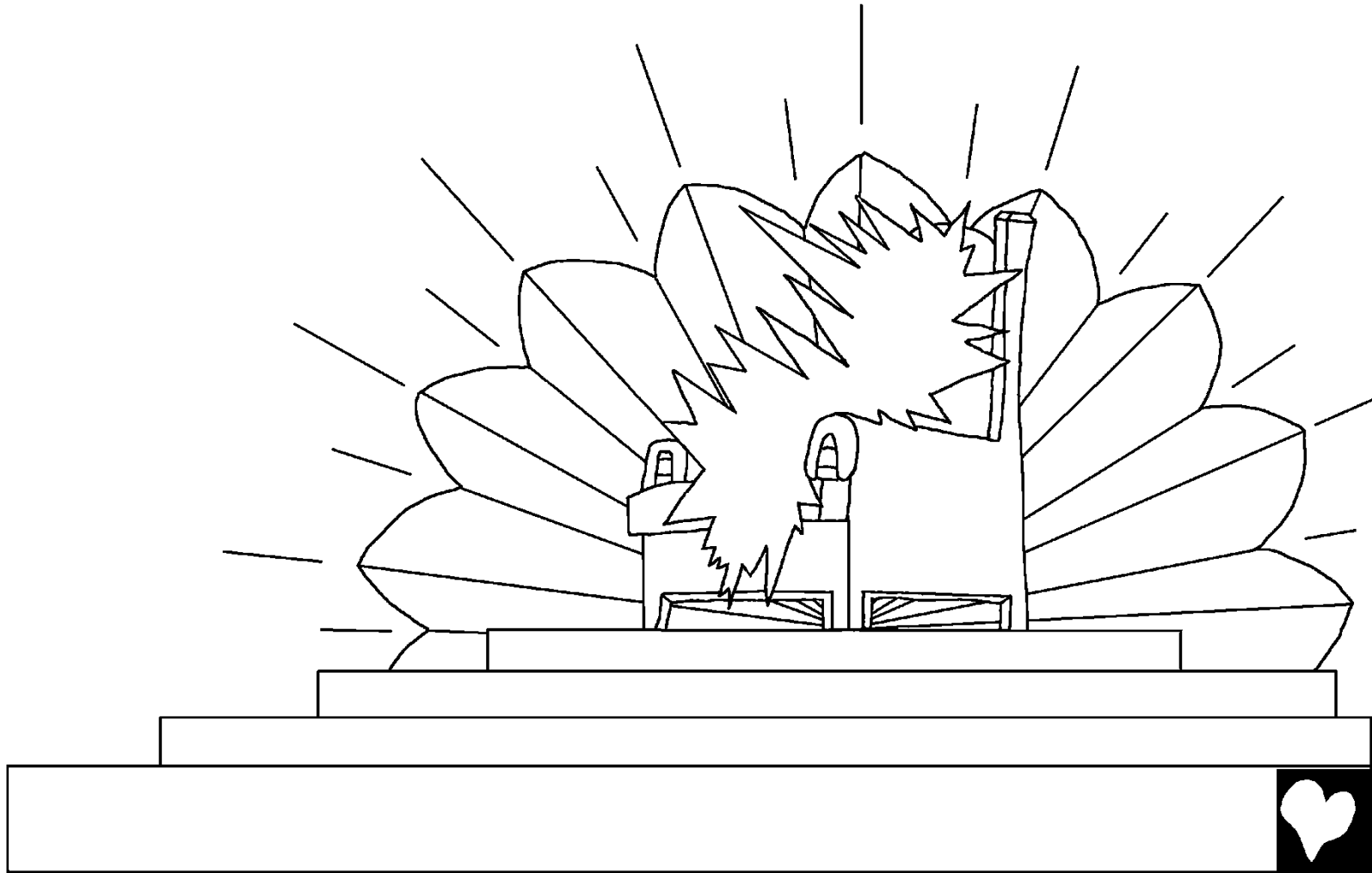
nga na nongileng momoc
Yesuholec wetackelu



doic nga Wapongte
ngani-damong bagacgu
tatakic mikac
sanangne gagabeleng.



Hei, inguc mime iwahac Asudi nala bole bame nganibe
honocmengka ngictaule ngiye-ngiye loicne iwa monicti
yogolec feina ngiyewec.

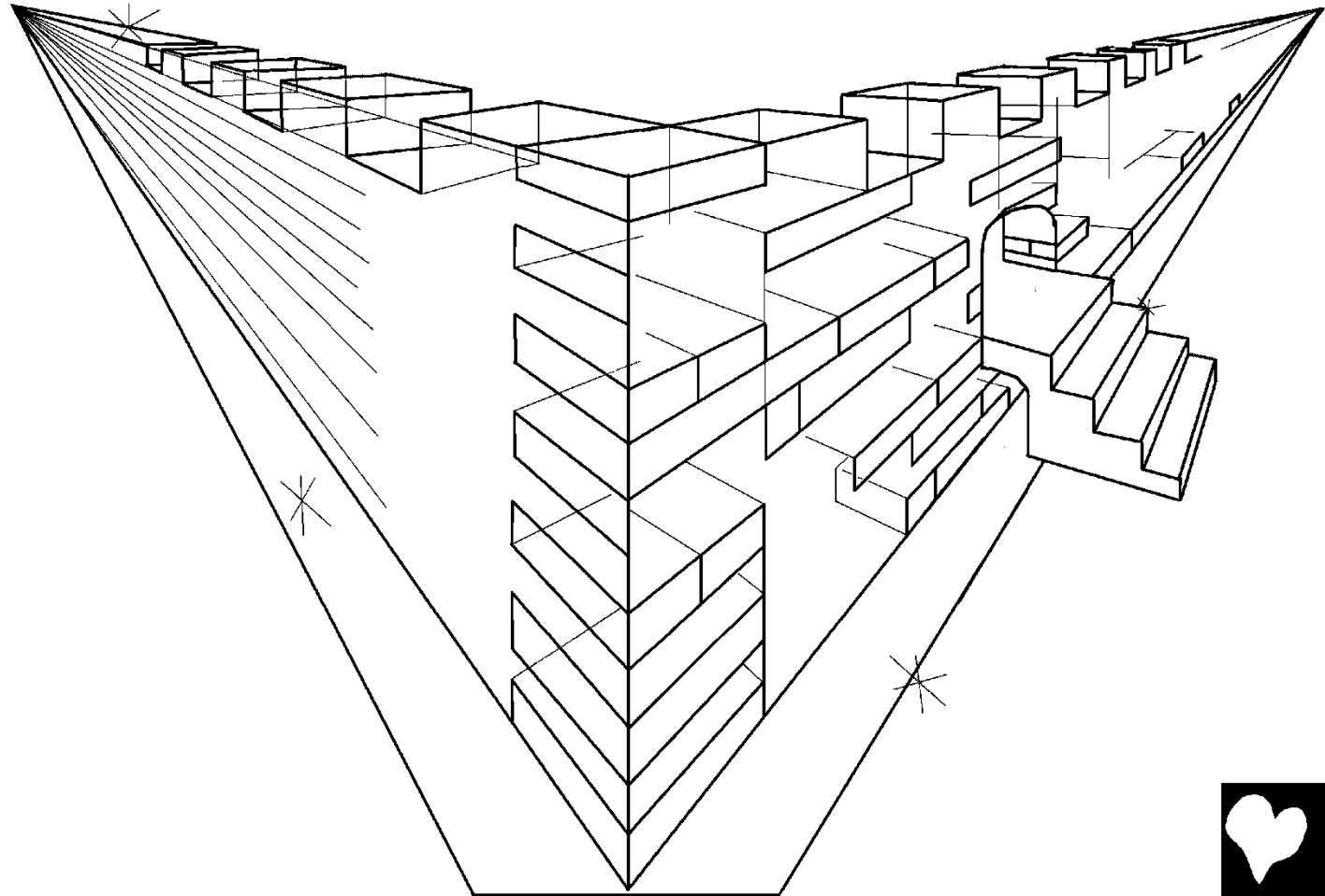


Aime wiyac sasawa Wapongti mime fikeyackeibong,
yenge honocmengka nga himongka ailu himong
bageina nga kiwecka, yengele
kweliwa wiyac sasawa gagaing,
yenge yowa yanguc mibong
ngageiba. "Ye ngictaule mac
ngiye-ngiyeina ngiyegac nga Lama
madecine,
Yekela
mimi-madic nga
alang-baba,
ailu wac feicne
nga tapili
moto-motoine
mikac

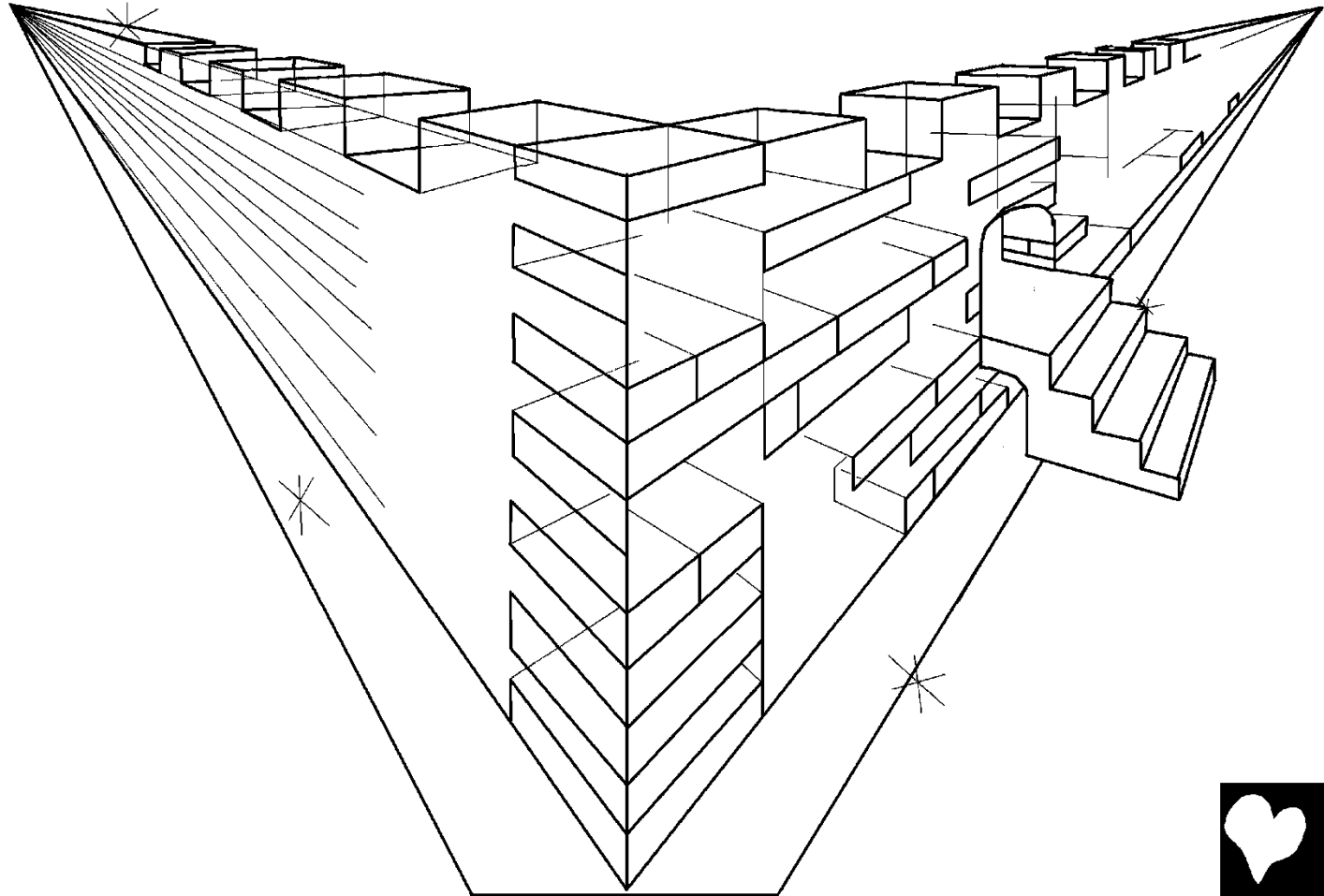
fafegidaic."



Na taon gbagbace, yogo Yerusalem gbolicne nganibe Wapongtaci honocmengkacni wawec. Wame ngigacti ngaweineholec molewa babac ainogale efeckecaigac, ngani-nganiine yogo ingucne ngawe-bingecinele ailu lesobabong ngani-nganiine madicnebenang ailu ngiyewec.



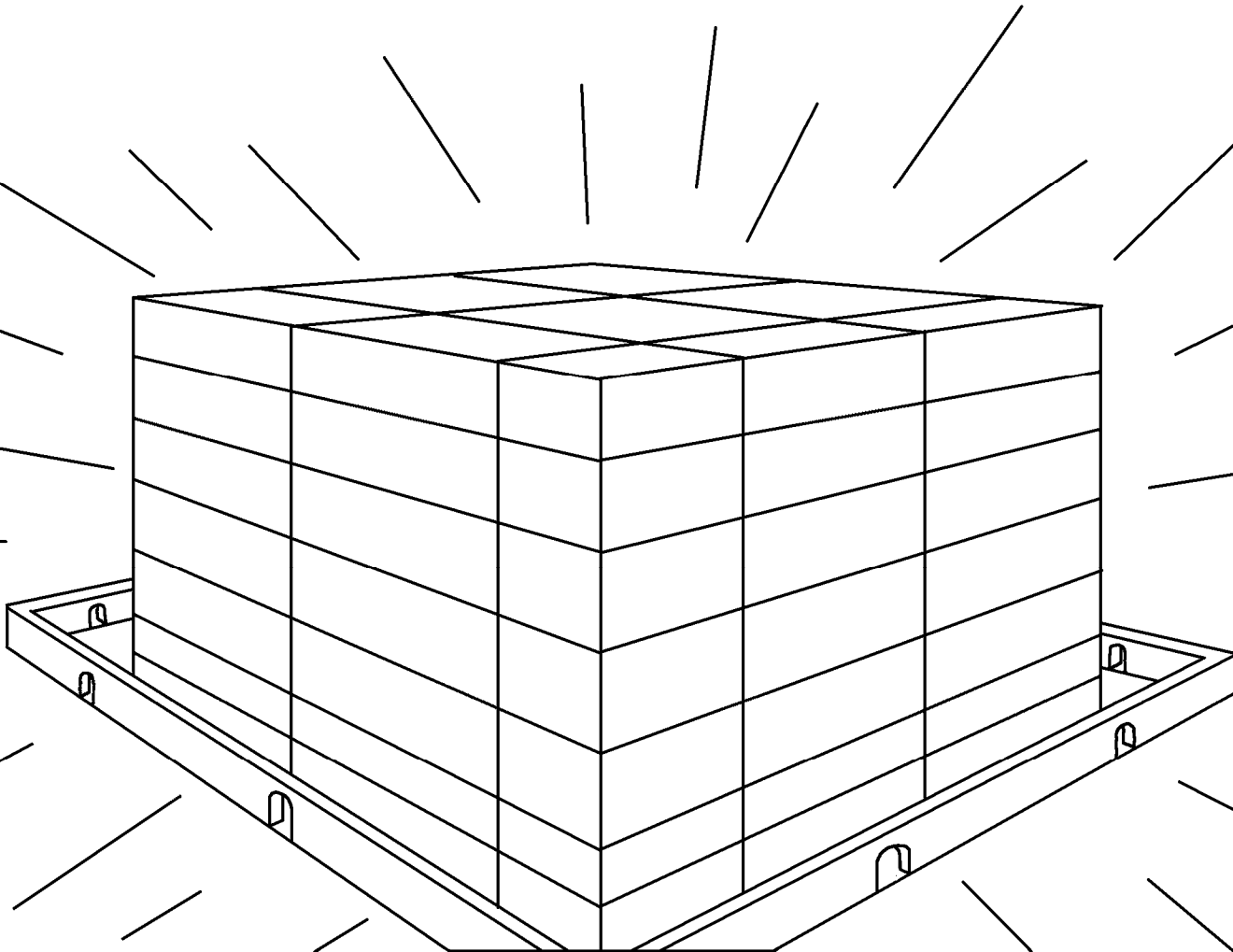
Ngiyeme na yowa-malac monic ngictaule
ngiye-ngiyewacni ngagebe yanguc miwec,
"Ngagegaing, Wapongte kpoluc-faledi ngic-ngigac
yengeholec game yenge yele aling aidaingte. Ailu
Wapong yeuctihac yengeholec galu Wapongngineng
gadaicte."



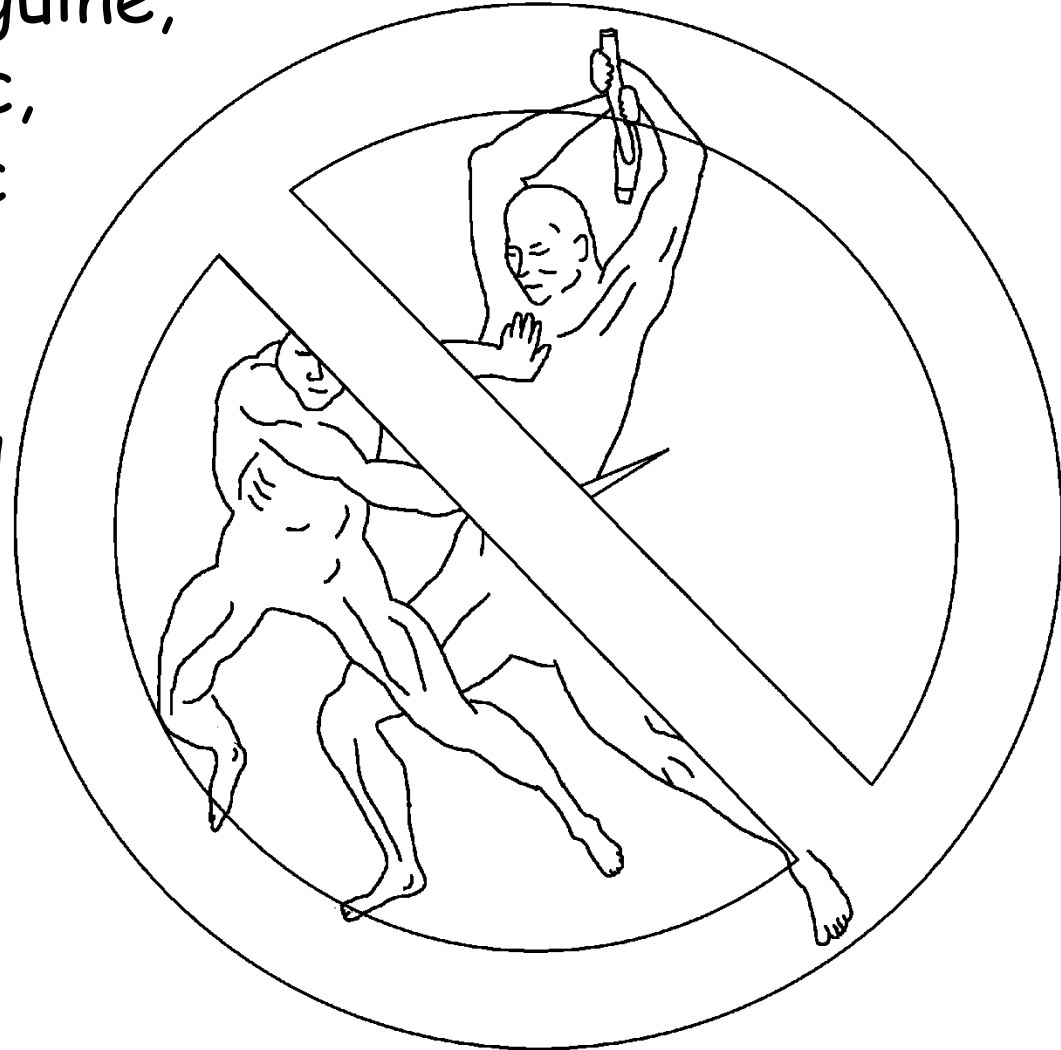
Aime angelodi misa monic gagaineholec edalichuwec.
Misa yogo latic-laticine ailu Wapong nga Lama
madecine yekele ngictaule ngiye-ngiyewacni ofelu
taontowale yefe sugucnele hewacka hikelu fagac.



Aime Wapongte tapili nga hibi-angocti taontowa sugucne yogo bame angolegac, aime Lama madecinedi hifaine aigac. Ilec taontowa iwa wenac nga tamacne yekele angoc mi ngagesigaing.



Ailu wiyac monic wonongkolec nga
ngic-ngigac aibabangineng
sowacnebenang memenguine,
ailu kwesacnginengkolec,
yenge taontowa yogolec
kwelina nalic mi
fedaingte, miyac.
Ngic-ngigac wacngineng
Lama madecinele
Gagale hibiwa
kwelengkeicne fagac,
yengi sugu fedaingte.



"Ailu yedi donge-misangineng
sasawa dongenginangkocni
suweyackedaicte. Aime homac
nga kwele-sowacte hisonggong,
ailu doic yenge hatacmac mi
fadaingte. Wiyac esecne
faibong, yogo biyac miyac
aiyackeibong."

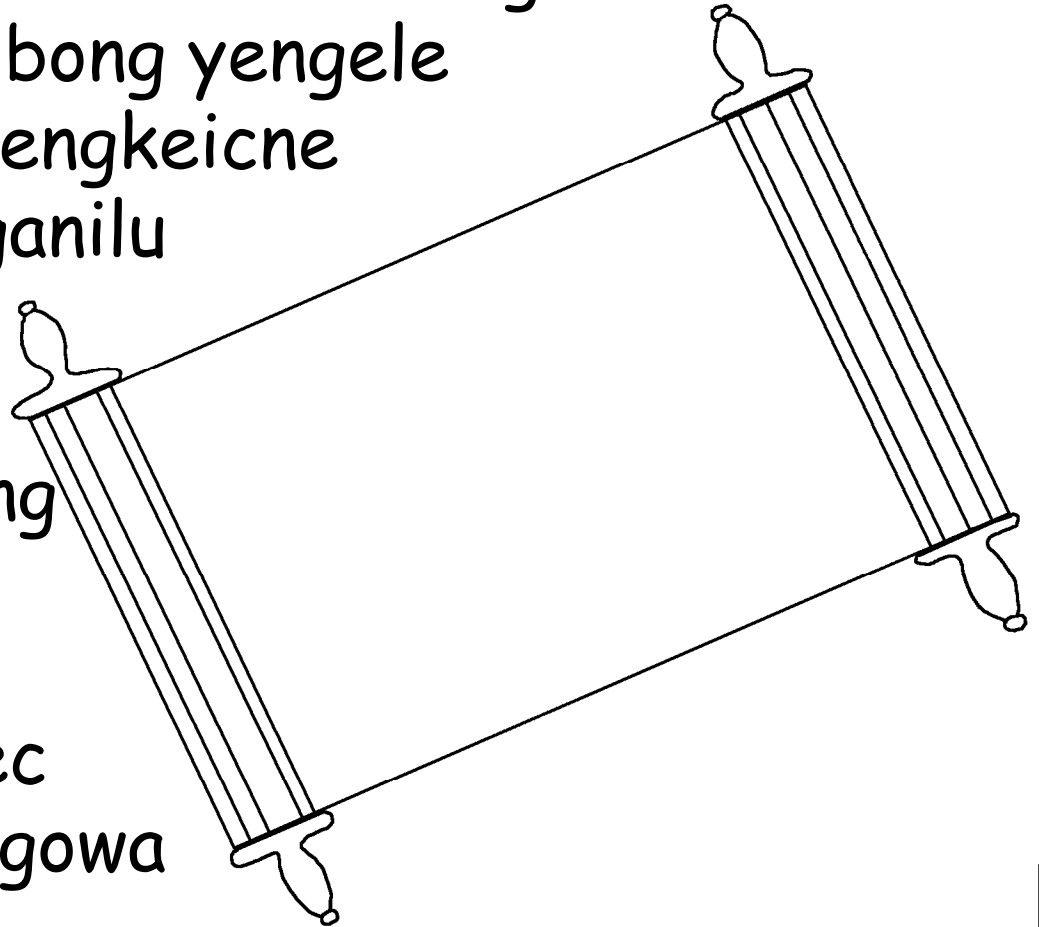


Aime monicti Wapongte aalicta bagewa hatacmac mi
gadaicte, miyac. Wapong nga Lama madecine yekele
ngictaule ngiye-ngiye sugudi taon iwa ngiyeme kwelec
kwekwefocine yenge ye afeelu kwelec kwecnodaingte.

Yenge yele
haic-mesuine
nganidaingte, aime
ye wacine yengele
meiwa kwelengkeme
fadaicte.



Aime ngic-ngigac feicne nga waweweine biyachac
homaibong yenge nganicebaiba. Nganicebabe yenge
Wapongte haicka domabong ye hibi gocne bacebalu
bafilamewec. Ailu hibi monic wacine Gagale hibi yogo
momoc balu bafilamewec. Aime hibi gocne
iwa ngic-ngigac homaibong yengele
aibabanginengte kwelengkeicne
fagac. Aime ye iwa nganilu
aibabangineng
mimoctowec. Ailu
ngic-ngigac wacngineng
Gagale hibiwa mi
kwelengkeicne fagac,
yenge dac lobelu kiwec
ingucne ailu fagac, yogowa
wicebame hauibong.



Asu nga Lama madecinele ngigac-bingecine yeki
"Ga welec" migabiyec. Ailu monic ye yowa yogo
ngagedaicte, ye "Ga welec" midaic. Aime monic ye
misale aicnocaigac, ye kwesilu gagale misa fuline
mikac moc balu nodaic.



I yangucte, Wapongti himongtowale
ngic-ngigac yengele kwele-angac
sugucnehac ngagewecte ailu, Madecine
moniyang sugu lome himongka wawec.
Ilec monicti ye ngagesingkegac,
ye mi homadaicte, ye
gaga-sanang
bagac.



Roma 3:23

Aime ngic-ngigac nongileng ngani-nganinonggeng haicine
monic-monic mi aigac, nongileng sasawadi bikickolecte
ailu Wapongta wac feicne facaigac, yogolec maaine
banangte lilolu gagabeleng.

Roma 6:23

I yangucte, bikicte fuli yogo homac banoga. Nga
Wapongte kwele-madicte wiyac yogobac
Sugucnenonggeng Kristo Yesule ailu gaga-sanang
fuline mikac moc noledaicte.

Hibru 9:27

Aime ngic-ngigac sasawa dameng moniyang sugu
homanangte miwec. Ailu lobewa gacgu yowawa
domadabelengte.



Efesas 2:8,9

I yangucte, ngenge Yesu ngagesingkeibongte yedi kwele-madic ainglewec, yogodi bikicte ameine bame wasecne aiibong. Aime Wapong ye ngageboc mi ailu ngage-ngagesingngineng yogo ngelewec, yogo ngengelacni miyac. Wasecne aiibong, yogo ngengileng aibabale miyac. Ilec monicti yeicne ngageme wiyac feicne mi aidaic.

Roma 10:9,10

I yangucte, ga micgonedi Yesu ye Sugucne, yogo miyengka yegengkedaictewa, nga Wapongti Yesu homackacni bagboliyewec, yogo kwelewa ngagesingkedamectewa, Wapongti bikicte ameine bame wasecne aidamecte. Nongileng kwelenonggengti ye ngagesingkebeng, yedi dondonne wacnubadaicte. Ailu micnonggengti yele mibeng yegengkeme, yedi bikicte ameine bame wasecne aidabelengte.



Yoane 3:16,17 I yangucte, Wapongti himongtowale ngic-ngigac yengele kwele-angac sugucnehac ngagewecte ailu, Madecine moniyang sugu lome himongka wawec. Ilec monicti ye ngagesingkegac, ye mi homadaicte, ye gaga-sanang bagac. Wapongti Madecine himongtowale ngic-ngigac bikicngineng wosaclu mimoctonale mi saleme wawec, miyac. Ye himong ngic-ngigac yengele bikicte ameine bame wasecne ainingte himongka saleme wawec.

1 Yoane 5:11-13 Aime yowa yogodi yanguc edocnubame yegengkegac, Wapongti gaga moto-motoine mikac nolewec. Aime gaga yogodi Madecinela fagac. Monic ye Madeckolec wetackelu gagac, ye gaga noineholec gagac. Nga monic ye Wapongte Madeckolec mi wetackelu gagac, yele gaga noine mikac aigac. Ngic-ngigac Wapong Madecine ngagesingkegaing, yenge gaga-sanangkolec gagaing, nenge yogo ngage-motoningte hibi yago kwelengkenggelegabac.



Yoane 14; 2 Korin 5; Miyegengkeicne 4, 21, 22

Storyline by: Edward D. Hughes

Illustrated by: Lazarus
and Alastair Paterson

Adapted by: Sarah S.

Migabac NT (mpp) © 2019, Wycliffe Bible
Translators, Inc. All rights reserved.

<https://www.bible.com/bible/870/MAT.1>

©2026 Bible for Children, Inc.

www.M1914.org

www.bibleforchildren.org

