

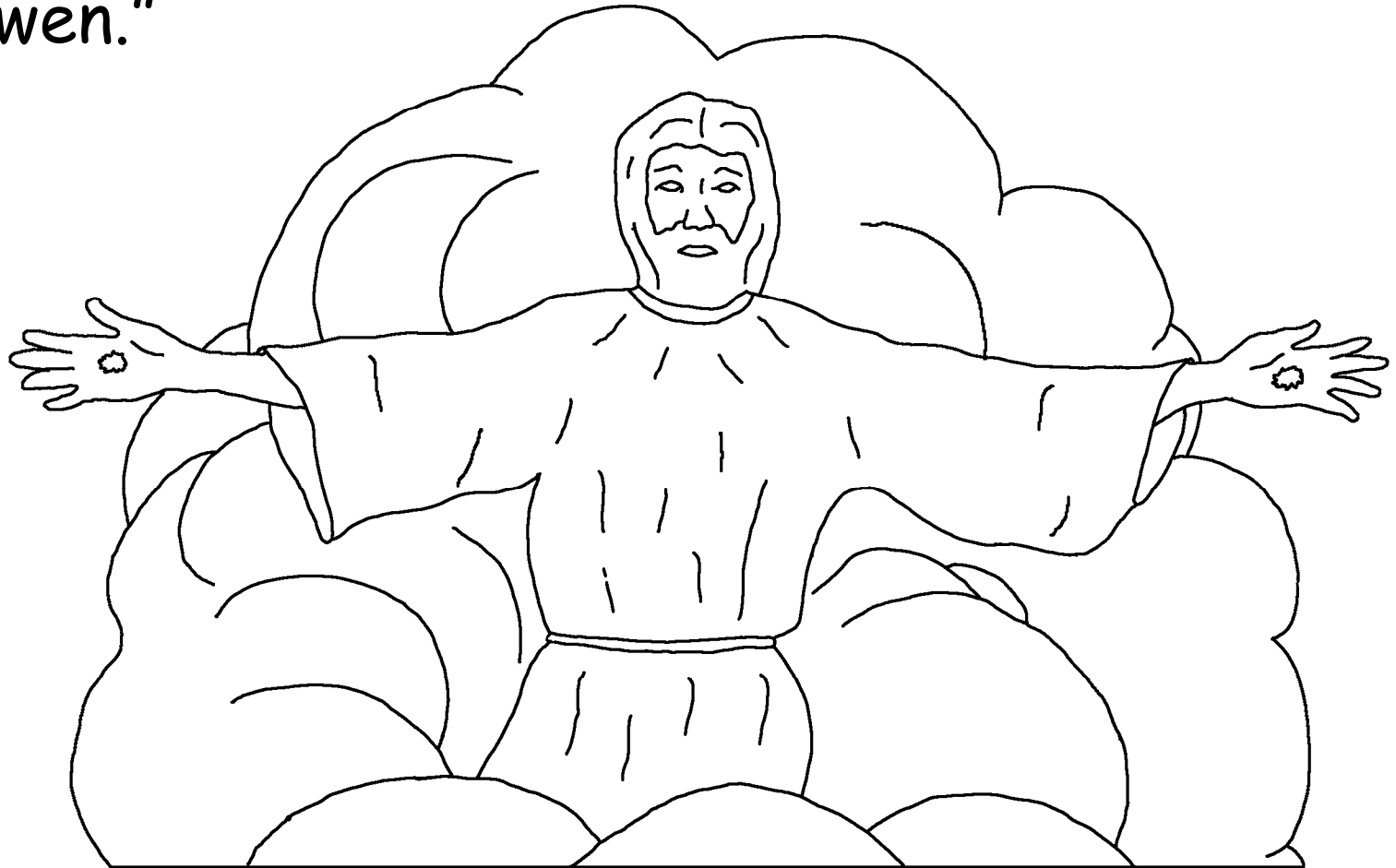
www.BibleForChildren.org



John 14



Jesu ana bai'ufununayah isa eo, "Men kwaniyababan,
God kwanitumatum naatu ayu auman kwanitutum.
Ayu Tamai ana baremair bar awah moumurih na'in
ti'inu'in naatu ayu anan kwa isa a bar awah anayabuna
naatu bar awah men hitama'am na'at, aisim boro a tur
ata'owen."



"Ayu anan kwa a efan anayayabuna ufunamaim boro taiyuwu anamatabir anan ananawiyi bairi tanan ayu menamaim ama'am kwa boro imaim kwanama."



Kwa iyab ana aiwobomaim kwarur, ayu tuwat John
bairit taituwbonen yatenubamaim biyat
ebababan naatu bairi tafafaram. Ayu

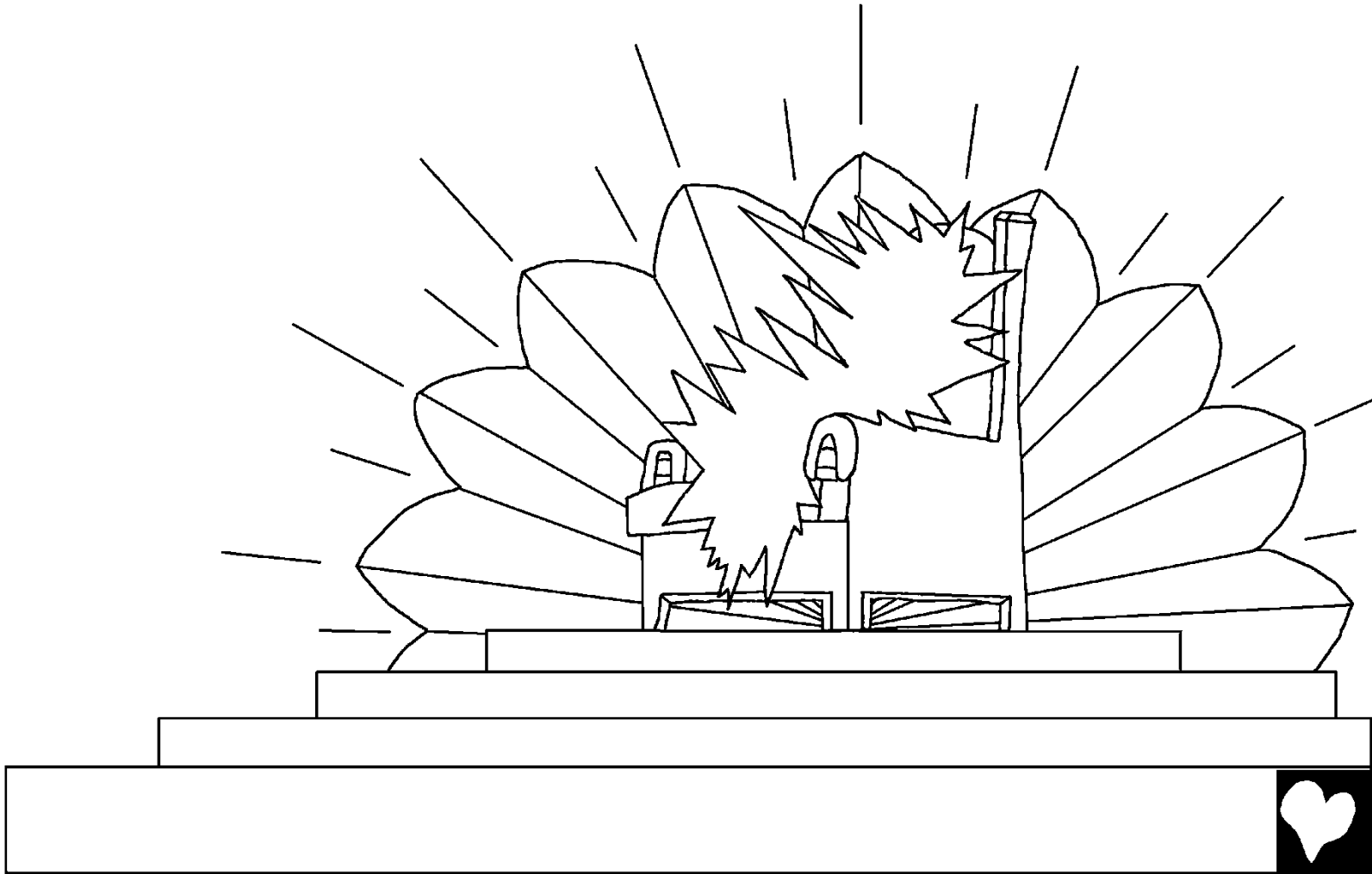
Patmos nuwamaim hiyara'iyu ama'am.
Anayabin God ana tur



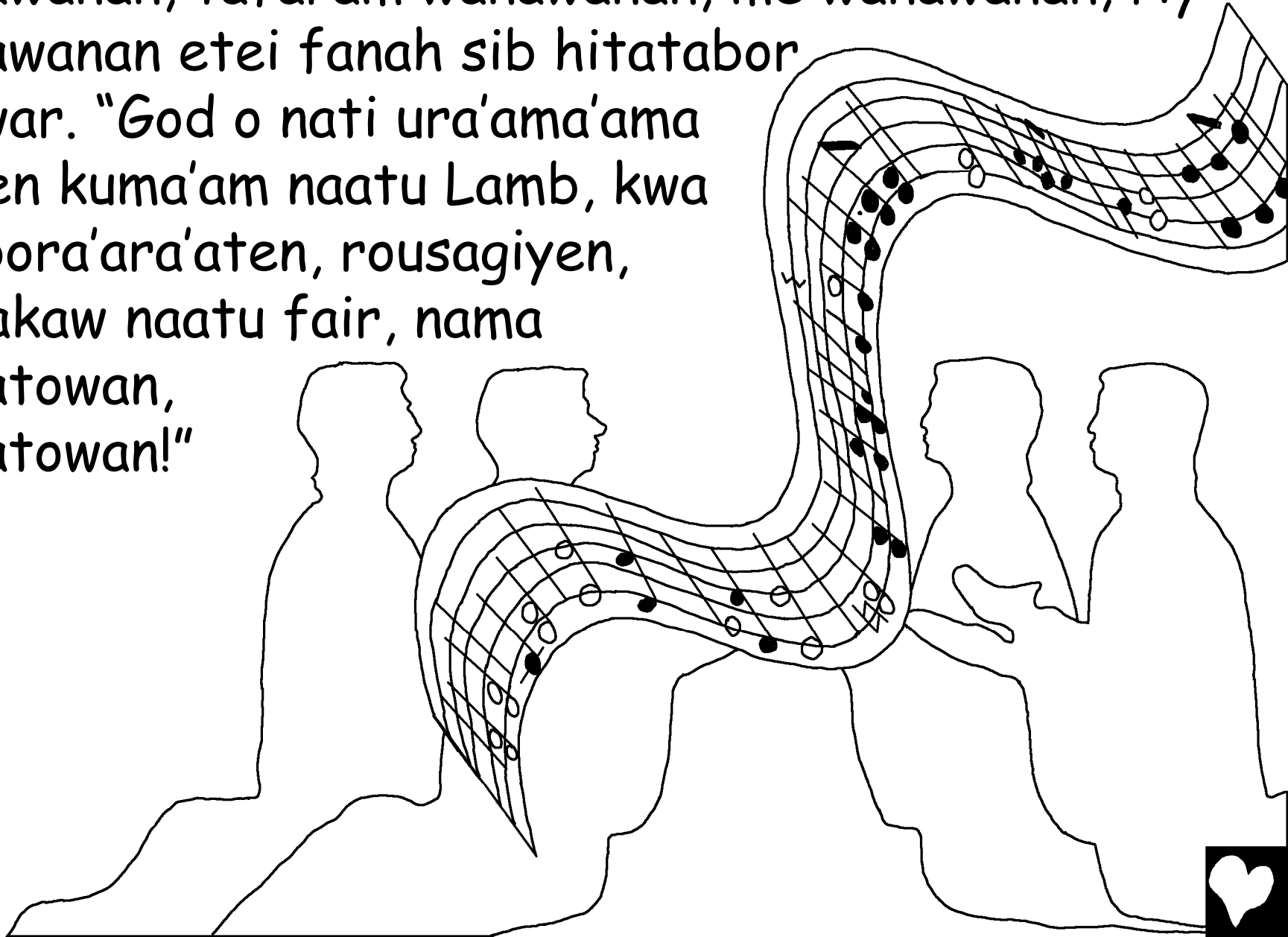
naatu turobe ana
kirikirifot Jesu
kwib ao'orereb isan.



Naniyan meyemeye ayu wagabur targabuwu matau
bora'ah nawiya airi an, naatu maramaim urama'ama
afe'en orot ta ma'am aitin.



Imaibo ayu sawar yawasih bai'e'etawayah mar
wanawanan, tafaram wanawanan, me wanawanan, riy
wanawanan etei fanah sib hitatabor
anowar. "God o nati ura'ama'ama
afe'en kuma'am naatu Lamb, kwa
isa bora'ara'aten, rousagiye,
marakaw naatu fair, nama
wanatowan,
wanatowan!"



Ayu bar merar kakafiyin, Jerusalem boubun mar God
biyanane tit re'er aitin, babitai tabin isan ti'abur
aawan biyan baitubarin isan enan na'atube. Naatu
urama'amamaim fanan aumetawat anowar eo, 'Boun
God ana sabuw biyah i ana bar matar, naatu boro

bairi hinama.

I boro ana
sabuw

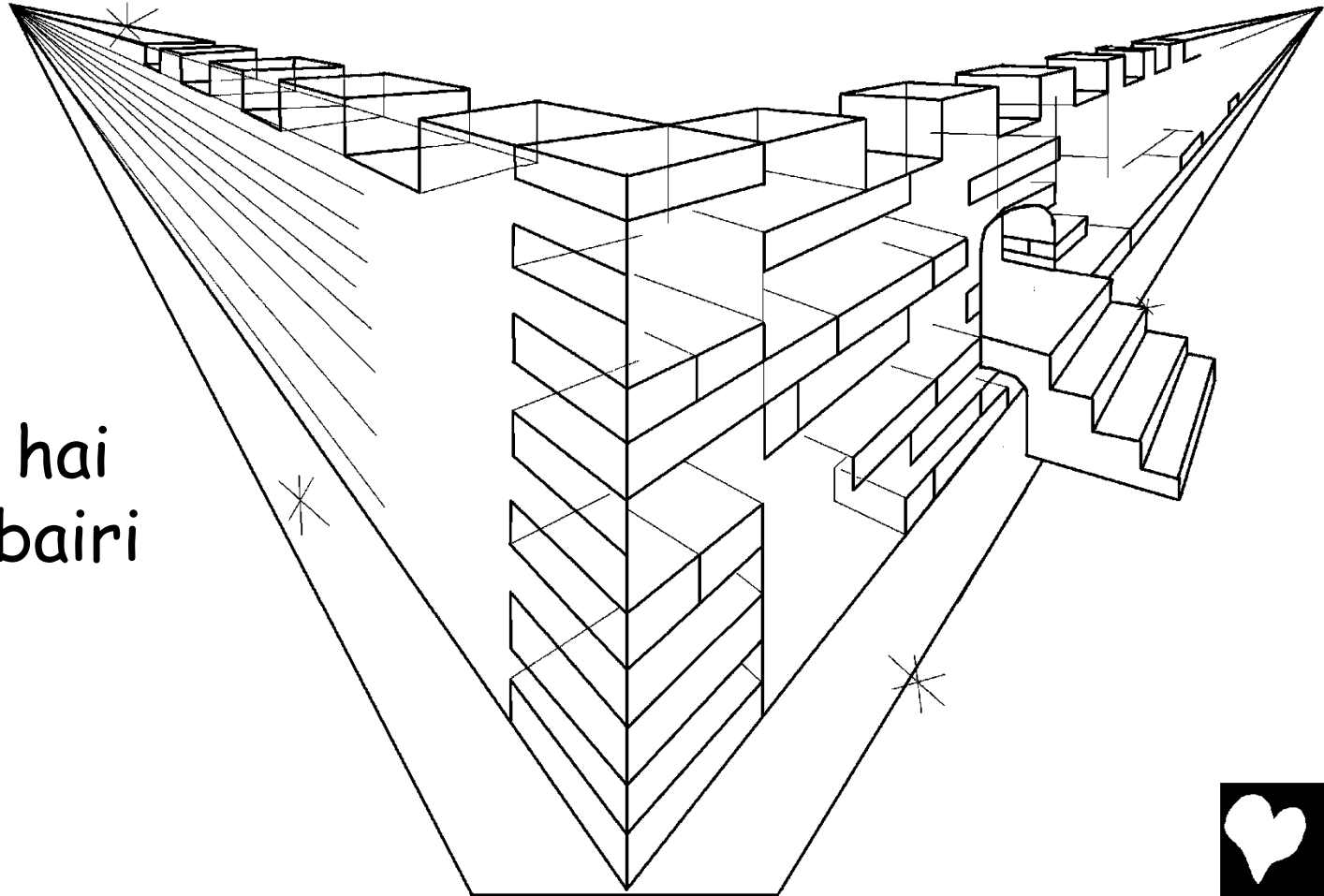
hinamatar

naatu God

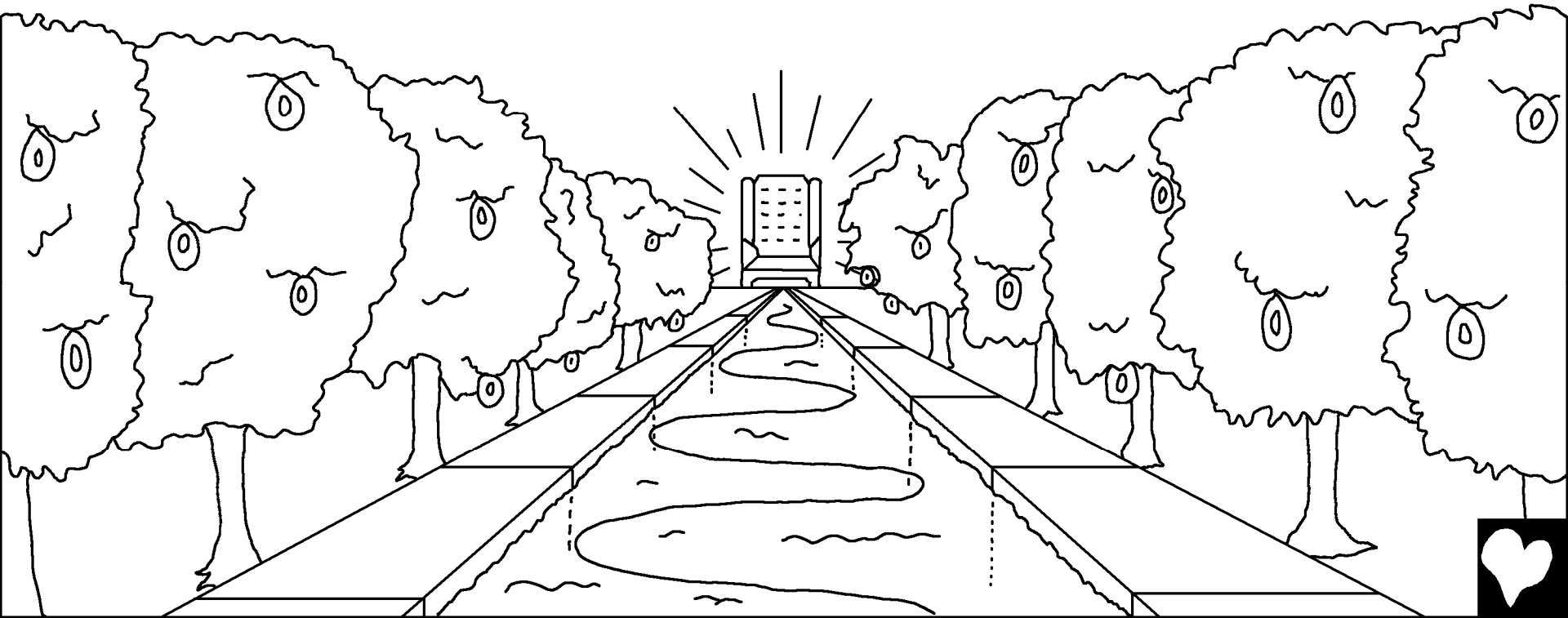
taiyuwin boro hai

God namatar bairi

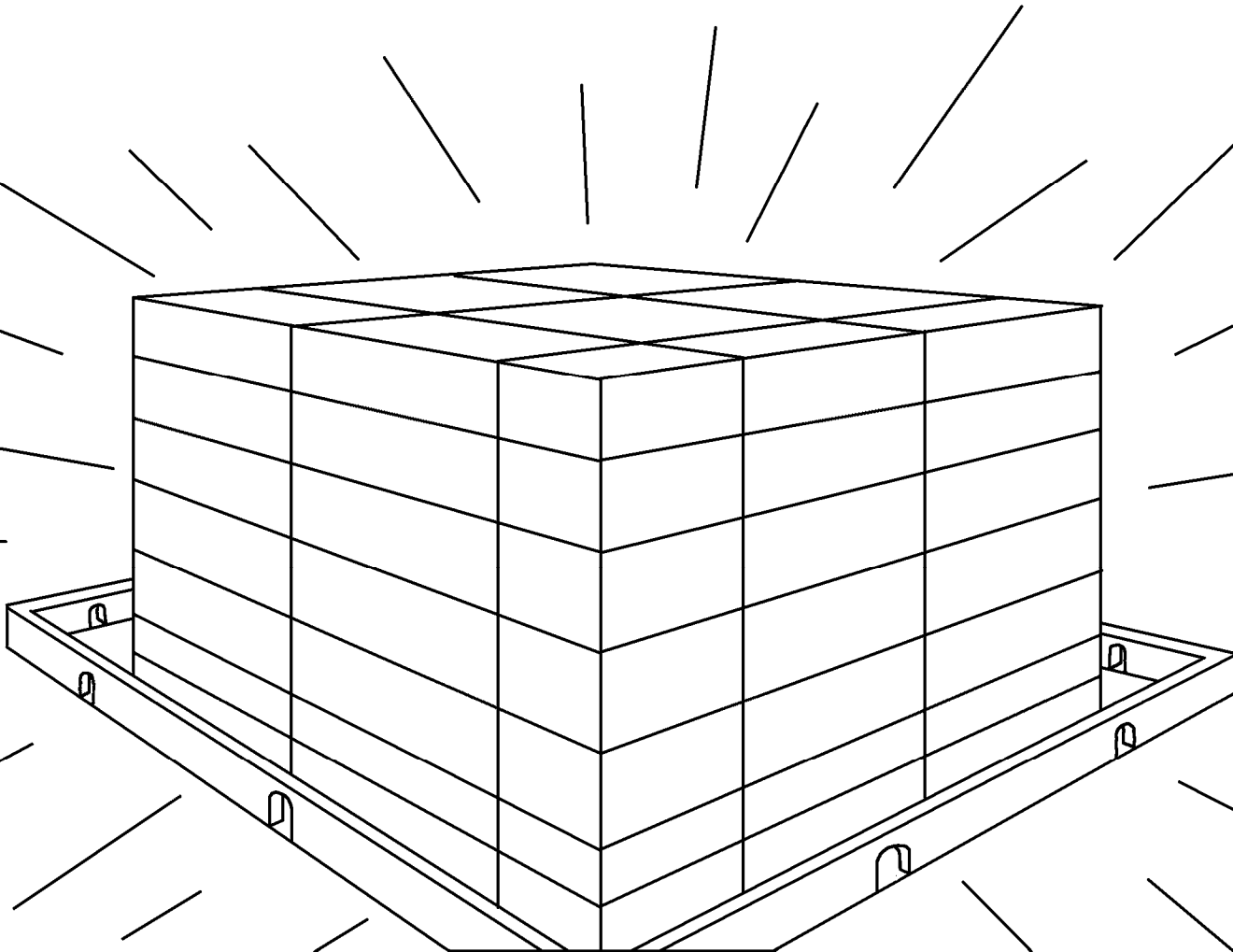
hinama.'



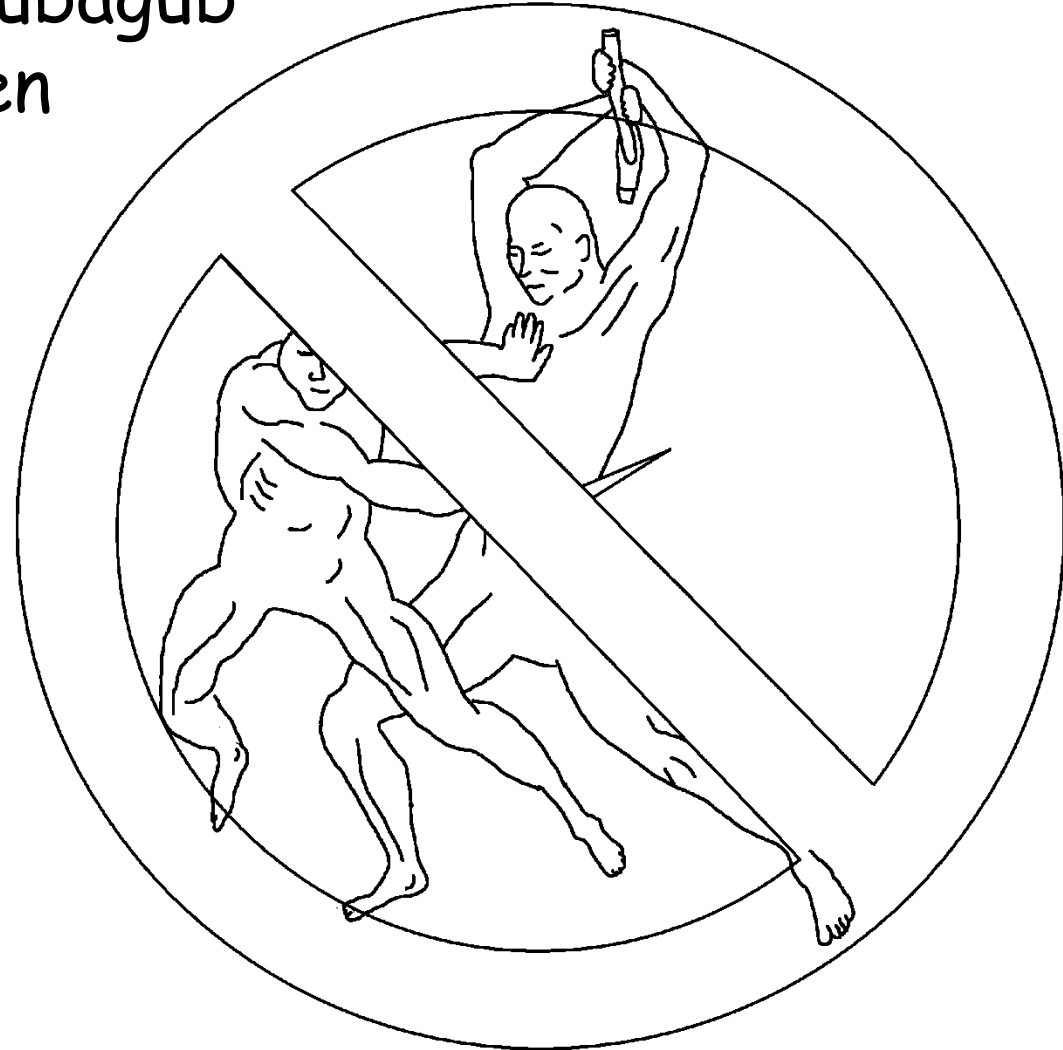
Imaibo retab yan yawas ana harew matan
kiryamiyamin crystal na'atube God ana urama'ama
naatu Lamb ana urama'ama'ane nunuw re'er i'obaiyu
aitin.



Bar merar men ekokok veyā, o sumār tafanamaim
nararan, anayabin God ana bonamanamarin marakaw
ebitin, naatu Lamb i ana ramef.



Naatu sawar men rousouwin na'atube
sabu w iyabowat biya'ohow ana gubagub
naatu baifufuwen ana gubagub
auman tema'am boro men
hinarun. Baise iyabowat
wabih Lamb ana
bukamaim hikikirum
akisih boro hinarun.



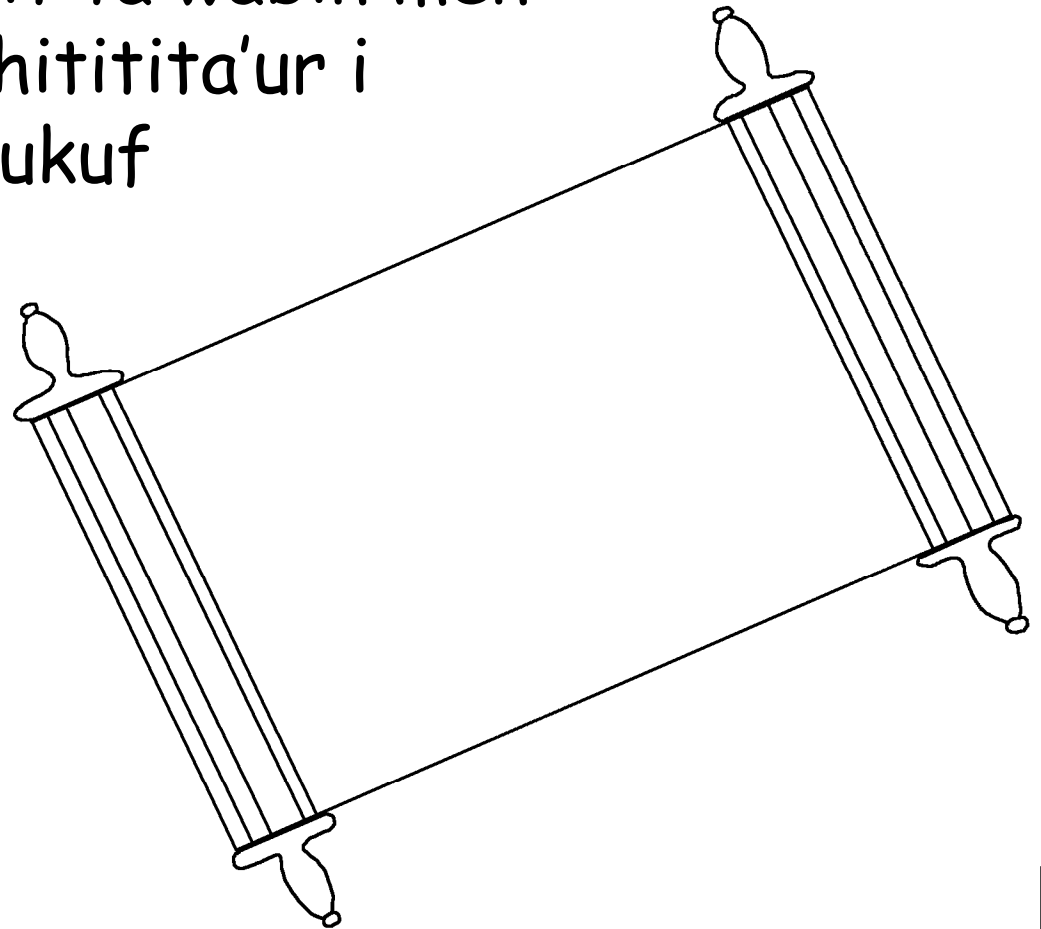
"I boro ana sabuw hinamatar
naatu God taiyuwin boro hai
God namatar bairi hinama.
maturih nasafamen. Nati'imaim
morob boro men namatar
maiye'emih, o yababan o rerey
o baiyababan, anayabin
marasika ana sawar i
earuwasair sawar."



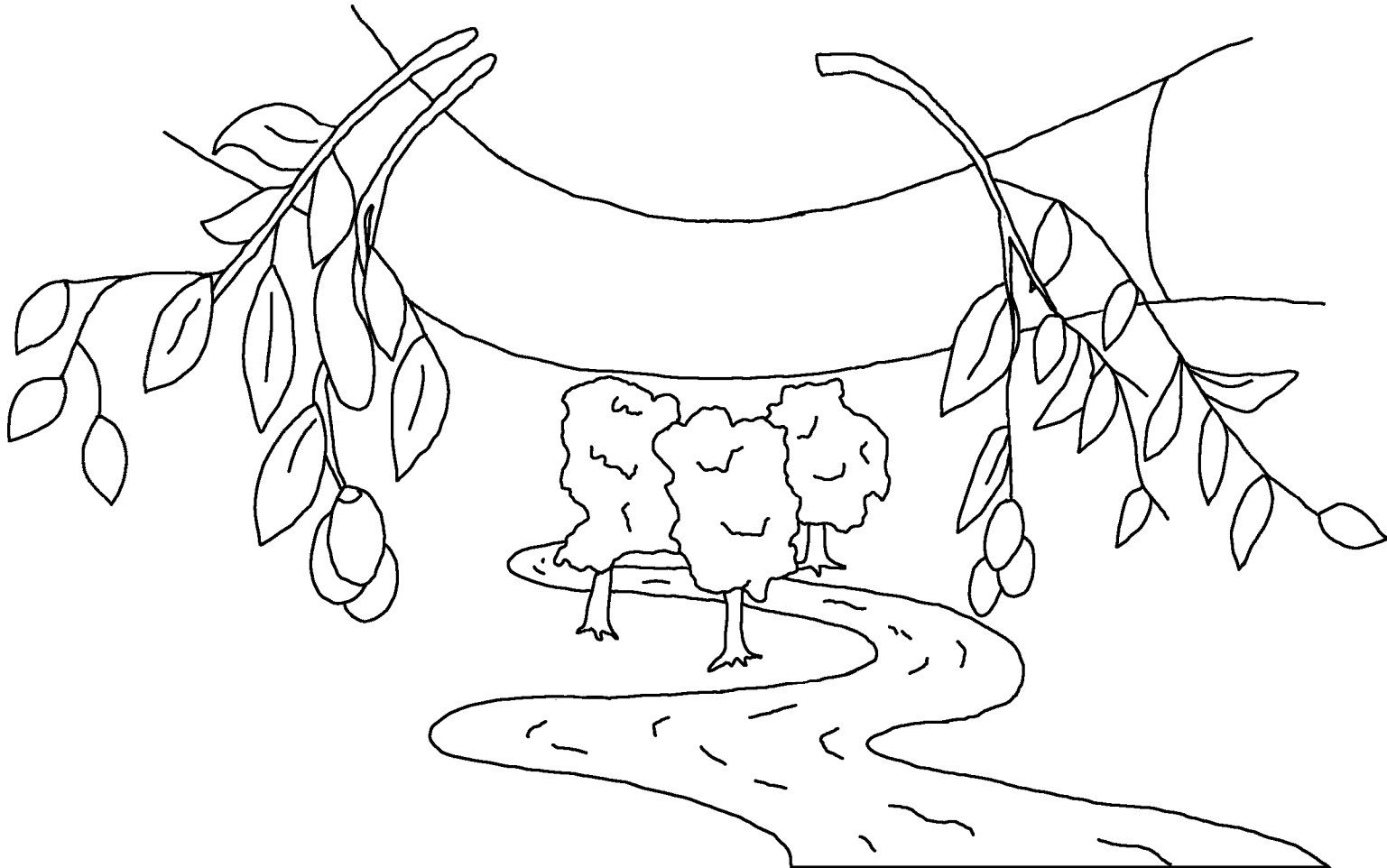
Nati bar merar gagamin wanawanan God ana orarafen
ta boro men inatita'ur. God ana urama'ama naatu
Lamb ana urama'ama boro nati bar merar
gagaminamaim hinama ana akir wairafih i
hinakwafirih. Yumatan
boro hina'itin naatu
wabin boro
nakwetahimaim
nakirum hinama.



Naatu ayu sabuw murumurubih aiti, gagamin re in
kikimin ura ma'ama nanamaim hibatabat, naatu buk
etei hibotawiyen. Buk ta hibobotawiy i yawas ana buk.
Murumurubih abisa hisinaf bukamaim hikirum hi'inu'in
imaim hibabatiyih. Yait ta wabin men
yawas ana bukamaim hititita'ur i
hita'asiy wairaf ana kukuf
wanawananan
rara'iy.



Anun Kakafiyin naatu tabin ana babitai hio, "Kuna!"
Naatu iyab tur tenonowar i auman hinao, "Kuna!"
Naatu yait sikan emamamah kwaihamiyih tena, naatu
yait nakokok yawas ana harew tomamih kwaihamiy
ena ana siwaramih ebai etom."



God tafaram iyabuw kwanekwan imih
i Natun ta'imonamo iyafar na, saise
yait i ebitumitum boro men
namorob, baise boro yawas
wanatowan nab.



Romans 3:23

Anayabin sabuw etei bowabow kakafin hisinaf naatu
God ana gewasin bain isan umah kabom.

Romans 6:23

Anayabin bowabow kakafin ana baiyan i morob, baise
God ana siwar i ma'ama wanatowan Keriso Jesu
wanawanamaim ema'am.

Hebrews 9:27

Imih orot etei hai morob i boro mar ta'imon
hinamorob, naatu morob ufunamaim etei boro
God ana baibatiyen hinab.



Ephesians 2:8,9

Anayabin God ana manaw ana kabeberamaim kwa kwaitumatum yawas kwabai. Men kwa raro bababanamaim yawas kwabaimih, baise God ana siwar kwa isa. Men a bowabowamaim kwabai, imih men yait ta iti yawas isan nao ra'ara'atamih.

Romans 10:9,10

Naatu awamaim ina'e'en Jesu i Regah naatu dogoromaim initumitum i morobone God iyawas maiye, o boro niyawasi. Anayabin o dogoromaim kubitumatum isan a ef boro namutufor, naatu awamaim kue'e'en isan boro yawas inab.



John 3:16,17

God tafaram iyabuw kwanekwan imih i Natun ta'imonamo iyafar na, saise yait i ebitumitum boro men namorob, baise boro yawas wanatowan nab. God i men tafaram bai'afiyin isan Natun iyafar na tafaramaim titamih, baise tafaram baiyawasin isan na tit.

1 John 5:11-13

God kukurereb i yawas wanatowan itit. Naatu iti yawas an i Natun wanawanamaim ema'am. Imih orot yait God Natun nabaib yawas boro nab. Baise orot yait God Natun men nabaib yawas boro men nab. Ayu iti sawar kwa iyab God Natun kwabitumitum isa akikirum kwana'itin, saise kwanaso'ob, kwa i yawas wanatowan kwabai.



John 14; 2 Corinthians 5; Revelation 4, 21, 22

Storyline by: Edward D. Hughes

Illustrated by: Lazarus
and Alastair Paterson

Adapted by: Sarah S.

Miniafia Oyan NT (aai) © 2009 Wycliffe Bible
Translators, Inc. All Rights Reserved

<https://live.bible.is/bible/AAIWBT/MAT/1>

©2026 Bible for Children, Inc.

www.M1914.org

www.bibleforchildren.org

