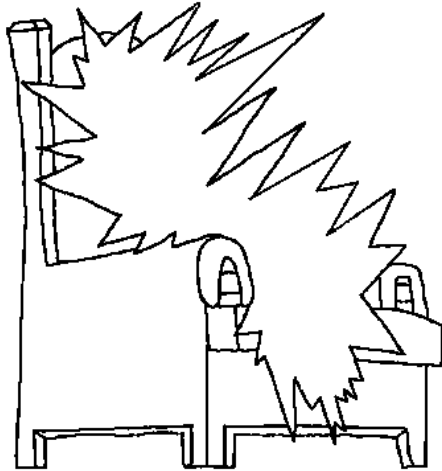


Naupang te tana Pathian Lehkhabu Thianghlim I hnenrawn thlentu



Van, Pathian in mawitak mai chu



Ziaktu: Edward Hughes
Milem nena sawifiahtu: Lazarus

Letlingtu: C. Lyani
A hmeh leh remchang zawnga lettu: Sarah S.

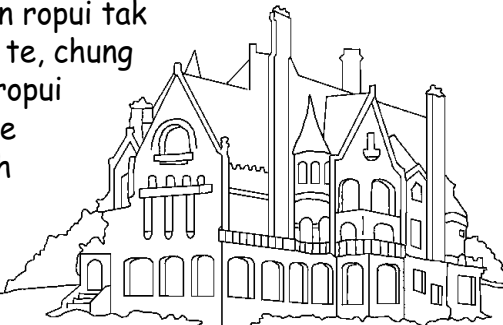
Thawnthu 60 zinga 60na

www.M1914.org

Bible for Children, PO Box 3, Winnipeg, MB R3C 2G1 Canada
Phalna: He thawnthu hi sumdawn na atan a hman anih loh phot chuan
I duh ang in ziah chhawn emaw khawla chhut chhawn phal ani.

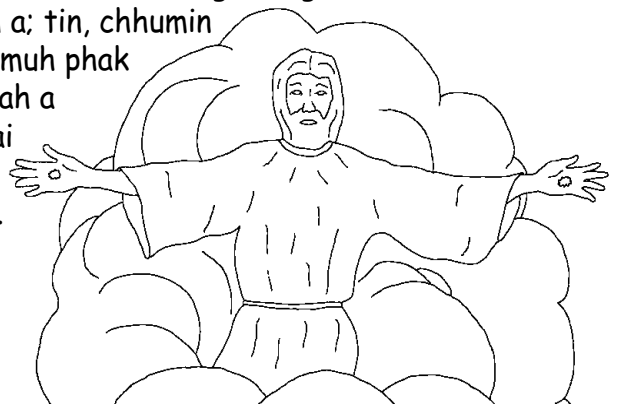
Mizo

Isuan khovel a a lenlai in a zirtir
te hnenah van chanchin a lo sawi
thin a. Van chu "Ka Pa In" ti in
leh vanah chuan in ropui tak
tak te a awm thu te, chung
in te chu lei a in ropui
leh lian ber ber te
ai pawh a lian anih
thu te thleng in.



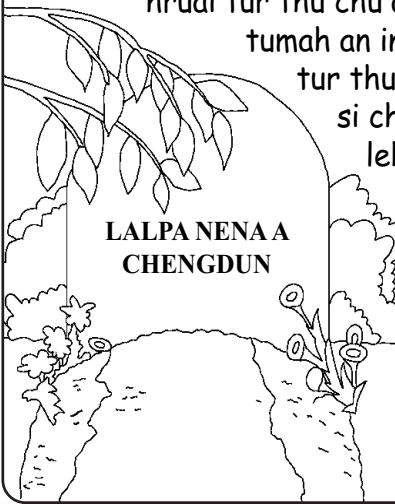
1

Tin, Isua chuan "in tan hmun ka han siam chuan
ka lo kir leh ang a, ka hnenah ka la ang che u; ka
awmnaah nangni pawh in awm theih nan" a ti a. Isua
chu vanah a chho ta a. Tin, chung thu chu a sawi
zawhin an hmuh reng chungin, vana hruai chhohvin a
awm a; tin, chhumin
an hmuh phak
lohvah a
hruai
bo
ta a.



2

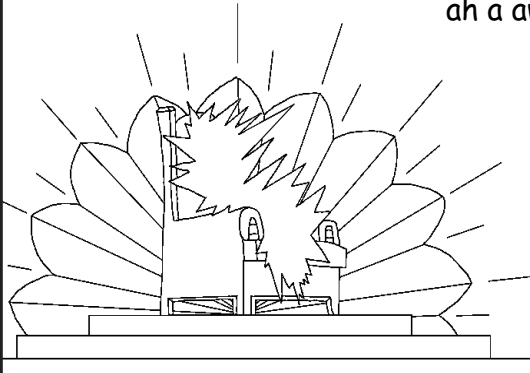
Chu ta chin chu Kristian zawng zawng te chuan Isua thuthlung Amah chu lo kal leh a anmahni a rawn hruai tur thu chu an hre reng a. Isua chuan tumah an inrin loh laitak a alo kir leh tur thu a sawi thin a. Chu ti anih si chuan Kristian ho Ama lokal leh hma a boral ta te engtin nge ni ta ang? Pathian Lehkhabu chuan anni chu A hnena awm tur in an kaltlang



a ti si a. Tisa nena an inthen chu Lalpa nena intawn na a ni si a.

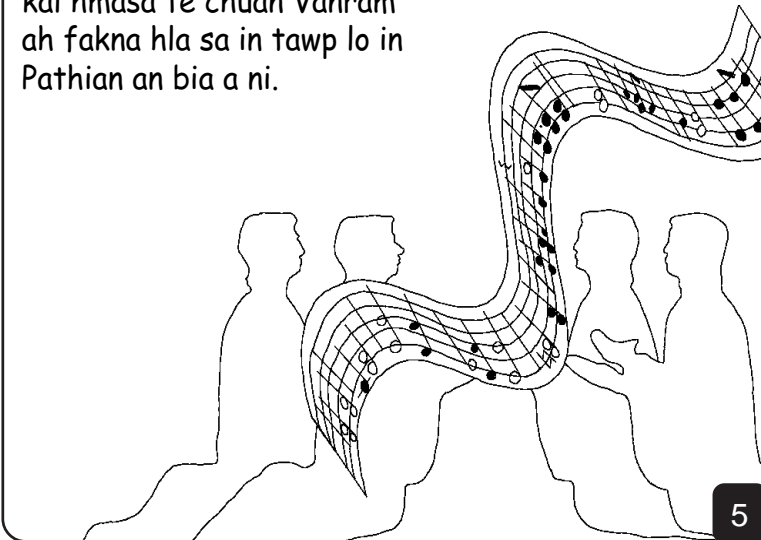
3

Thupuan, Pathian Lehkhabu zing a a tawp ber ah chuan Vanram ropui zia kan hmuthei a. A danglam na em em chu maktak mai in Vanram chu Pathian in a ni. Pathian chu hmuntin ah a awm a, nimahsela a Lal lukhum chu Vanram ah a awm thung ani.



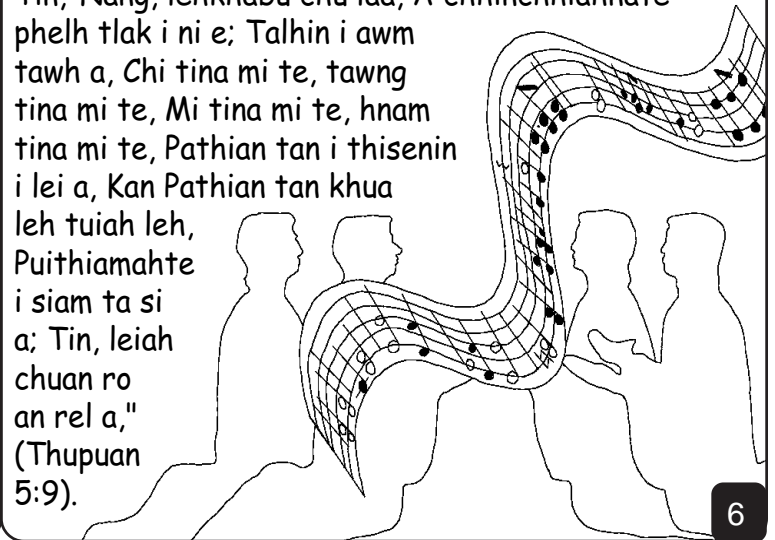
4

Angel te leh mi thianglim kal hmasa te chuan Vanram ah fakna hla sa in tawp lo in Pathian an bia a ni.



5

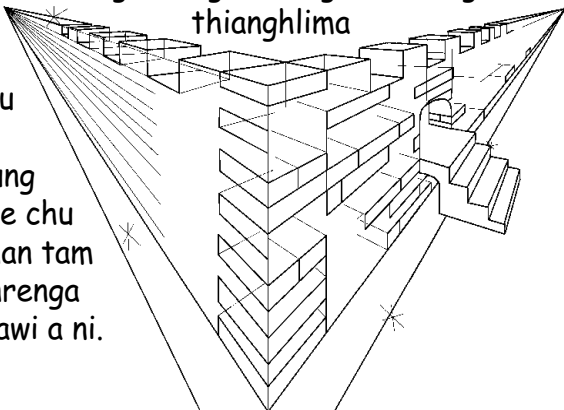
Hla an sak tamtak zing a tlem te chu heng te hi ani. Tin, "Nang, lehkhabu chu laa, A chhinchhiahnate phelh tlak i ni e; Talhin i awm tawh a, Chi tina mi te, tawng tina mi te, Mi tina mi te, hnam tina mi te, Pathian tan i thisenin i lei a, Kan Pathian tan khua leh tuiah leh, Puithiamahnte i siam ta si a; Tin, leiah chuan ro an rel a," (Thupuan 5:9).



6

Pathian Lehkhabu Thianghlim pheh hnukung ber ah Vanram chu heti hian a in ziak a "Jerusalem Thar" ti in. Chu khua chu lian tak ni in kulh sangtak a nei bawk a. Tin, a kulh chu jaspilunga siam a ni; khua chu darthlang thianghlim ang maia rangkachak thianghlima

siam a ni. Chu khaw kulh lung phumte chu lung man tam chi tinrenga cheimawi a ni.



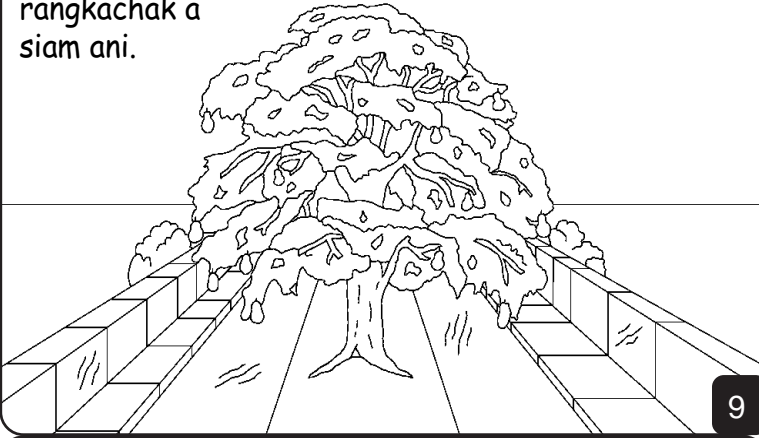
7

Tin, a kawngkate chu chhunah an khar tawp lo vang, chutah chuan zan reng a awm dawn si lo va. A chhungah lut in I han bihchiang dawn chhin teh ang ... EHEU!



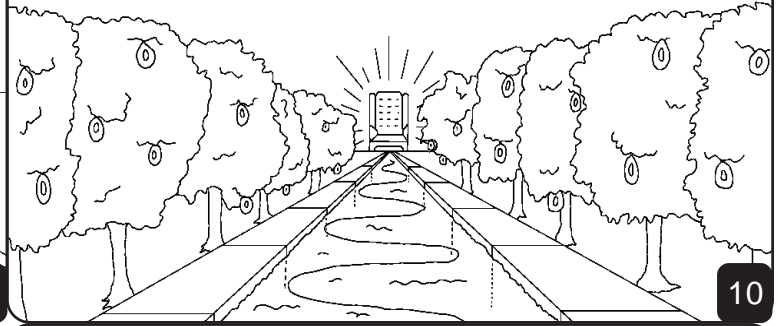
8

Vanram chu a chungah a let tamtak in a mawi zawk anih hi. Tin, a khua chu darthlalang thianghlim ang maia rangkachak thianghlima siam a ni. A kawthler te tlengin rangkachak a siam ani.



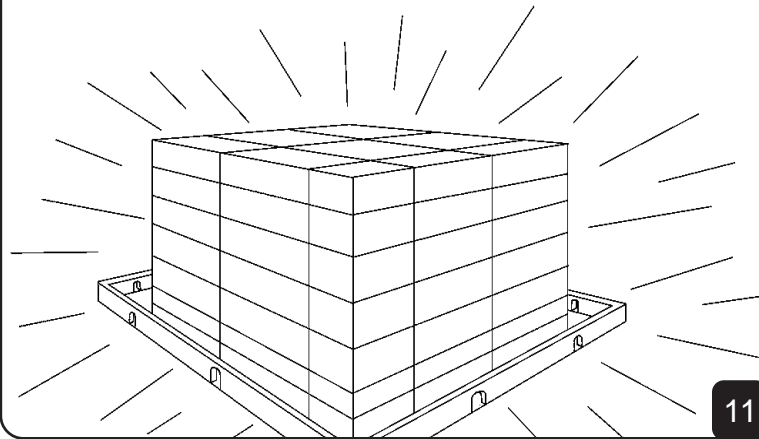
9

Tin, kawtlai lai taka nunna tui lui, krustal lung anga tle, Pathian leh Beram No lalthutphaha lo chhuak chu a awm a. Tin, lui kam tuakah chuan Nunna Thing, chi hrang sawm leh pahniha rah, thla kipa rah a awm a; chu thing hnahte chu hnam tin tihdamna tur a ni.



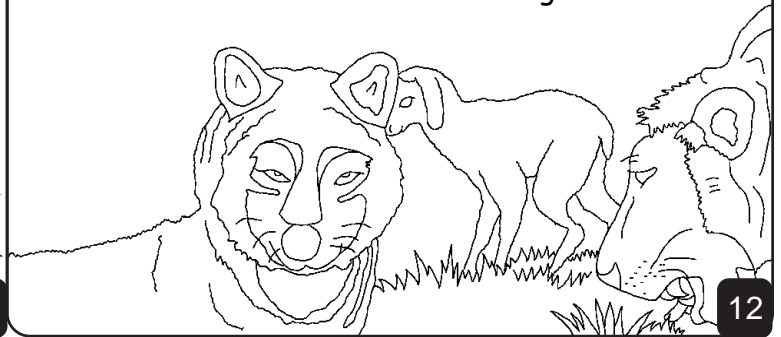
10

Tin, Vanram chuan a en turin ni a ngai lo va, thla pawh a ngai hek lo; Pathian ropuina chuan a en a, an khawnvar chu Beram No a ni si a.



11

Vanram ah chuan nungchate pawh an danglam in an hlauhawm loh bakah an nelawm em em vek ani. Chinghnia leh beram te pawn in ngeih tak in hnim an tlan dun a. Sakeibaknei huaisen takmai pawh in bawngpa ang mai in buhpawl a tlan mial mial a. LALPA Pathian chuan, "Ka tlang thianghlim ah chuan tumah an tina in an tichhe tawh lovang" a ti a.



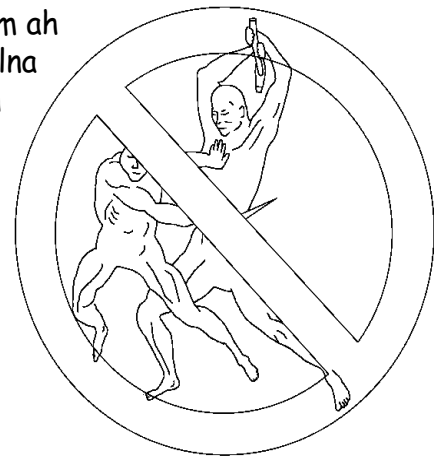
12

Vanram chu kan han enkual in eng emaw tak kimlo awm in kan hria a. Tuman thinrim thawm kan hre lo a tumah insual buai leh mahni hmasial tak a awm kan hmu hek lo. An kawngkhar te chuan kalhna a nei lo a chhan chu misual tumah an awmlah vang ani.



13

Dawtsawi hmang te, tualthat tute, ramhuai thiltihtheihna hmanga dawithiam te suamhmang te an awm hek lo. Vanram ah chuan sualna engmah in hmung a chang ve lo ani.



14



Pathian hnen vanram ah chuan mittui te a hul tawh a. Eng emaw chang chuan he khovelah Pathian fate lungngai in an rum thin a amaherawh chu Vanram ah chuan Pathianin kan mittui te min hruk hul sak tawh ang.

15

Vanramah chuan thihna te a awm tawh lo ang a Pathian fate chu chatuan in LALPA nen an chengdun tawh ang. Chutah chuan tah leh lungngaihna te, natna te, hriselloh na te, inthenna te, leh thihna te a awm tawh lovang a Pathian angchhung ah hlim leh lawm takin kan cheng ho tawh dawn zawk alo ni.



16

Thu lawmawm ber mai chu Vanram chu Naupang te leh puitling pawh Isua Krista chu Lal leh chhandam tu a pawm a Pathian thu awih tu zawng zawng te tan ani hi ani. Vanramah chuan lehkhabu pakhat Beramno nunna lehkhabu tih chu a awm a, chu chu mihring hming in a khat vek ani. Tu te hming nge chutah chuan chuang in hria em? Mi tupawh Isua a rinna nghtat te an ni. I hming chu chu lehkhabu ah chuan a chuang ve em?



17

Pathian Lehkhabu thianghlim a thu in ziak hnuhnung chu Vanram a sawmna ropui tak mai ani a. T hlarau leh mo chuan "Lo kal rawh," an ti a. A hria apiangin "Lo kal rawh," ti rawh se. Tuihal apiang lo kal rawh se; a duh apiangin nunna tui hi athlawnin la rawh se" ti in.



18

Van, Pathian in mawitak mai chu

Pathian lehkhabu atang a Pathian Thu nen a inmil thawnthu chu

hengah te hian a hmuh theih

Johana 14; II Korinth 5;
Thupuan 4, 21, 22

"I thu hrilhfhiah hian mitte a tieng a;
Mi mawlte chu a hriat thiamtir thin."
Sam 119:130



Pathian chuan thil thalo kan tih a hria a chu chu sual a ti ani. Sual man chu thihna a ni si a.

Pathian in min hmangaih em avang in a fapa neihchhun, Isua chu I sual man pe tur in Kraws ah thi tur in a rawn tir a. **Isua chu tho leh** in vanram ah a chho leh a! Tunah chuan Pathianin kan sual a ngaidam thei ta.

I sualna ata I inlamlet duh chuan Pathian hnenah heti hian ti rawh: Ka Lalpa duhtak, Isua chu ka tan a thi a, a tho leh ta tih ka ring a. Khawngaihtakin ka nunah lo kal in, ka sual min ngaidam ang che. Chutia nun thar ka lo neih a chatuan a nangmah hnen a awm reng tur in. I fa ni a, I tan a nung tur in khawngaihtak in min tanpui ang che. Amen. Johana 3:16

Nitin Pathian Lehkhabu Thianghlim chhiar in Amah nen inpawl ziah rawh u.