

[www.BibleForChildren.org](http://www.BibleForChildren.org)



# Jon Nanda'afi 14



Jisas na'ipafa na'i, "Nelelemb ipe'ilimbi ina besafel nimanilimb a'owa', owa'i. Ipa' pindahapifa God, pihapifa ae' wapani. Ipat Ahame ae'anai alihinai satopa' ilalef hielifi fape fandandapa. I'i owa'ai, fowa' ae' i'ipipa."



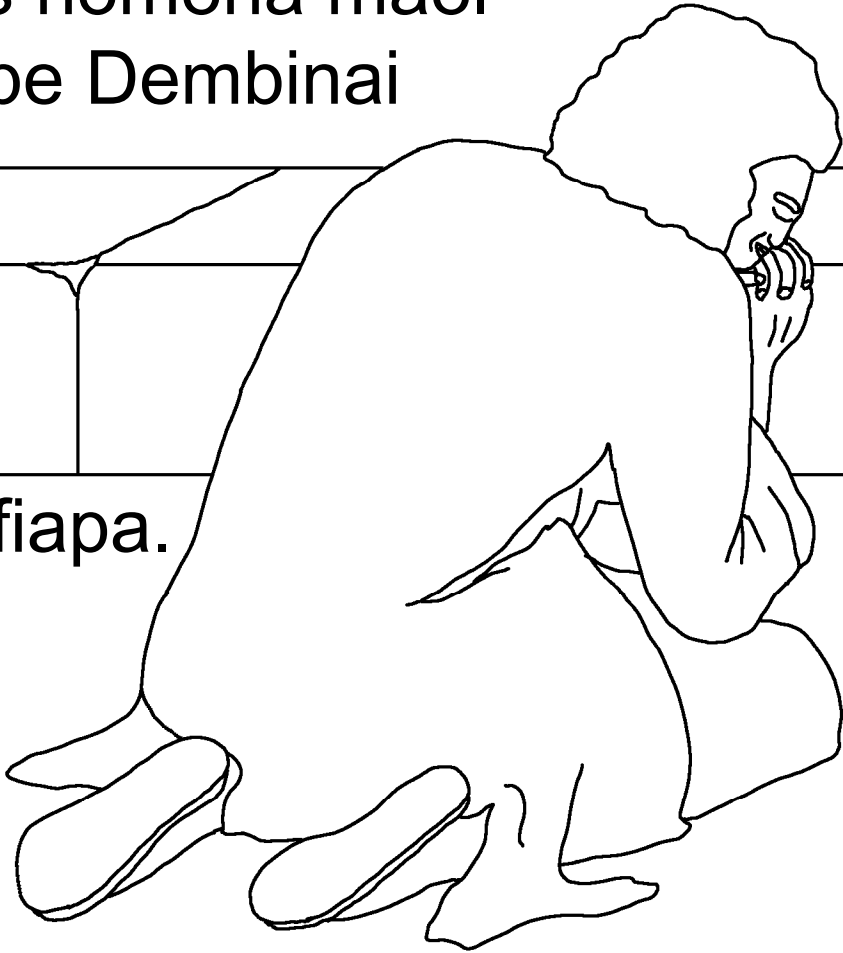
“Apa' owa', endilisi atis ae' a' efe' endondomba wambel ipe'imbili. Ae' i'i efe'ma egandomba wambel ipe'imbilima owagama itanimai efa'epa pefe' pepe pelome. Ea' anamba ae' egapoma, ipa' wapani pepe anamba atogon pelome.”



Ae' Jon sahomepa ipe'iwai. Ae' alomepa, apa'  
hiapai Jisasi atepa maloma anen sisihipa mape.  
Akolata alomepa mofa' akafimi ma

mugawis nomona maol  
Godi nope Dembinai

nugumafiapa.



Ea' ape alomepa ma apa' hiapai magalutu  
banagepa na'amba atina mogofa' nimanimi.  
Ae' awalapa basef Godi faloma basef

endilisifi ma maol Jisas  
nanda'ani. Isimba atis



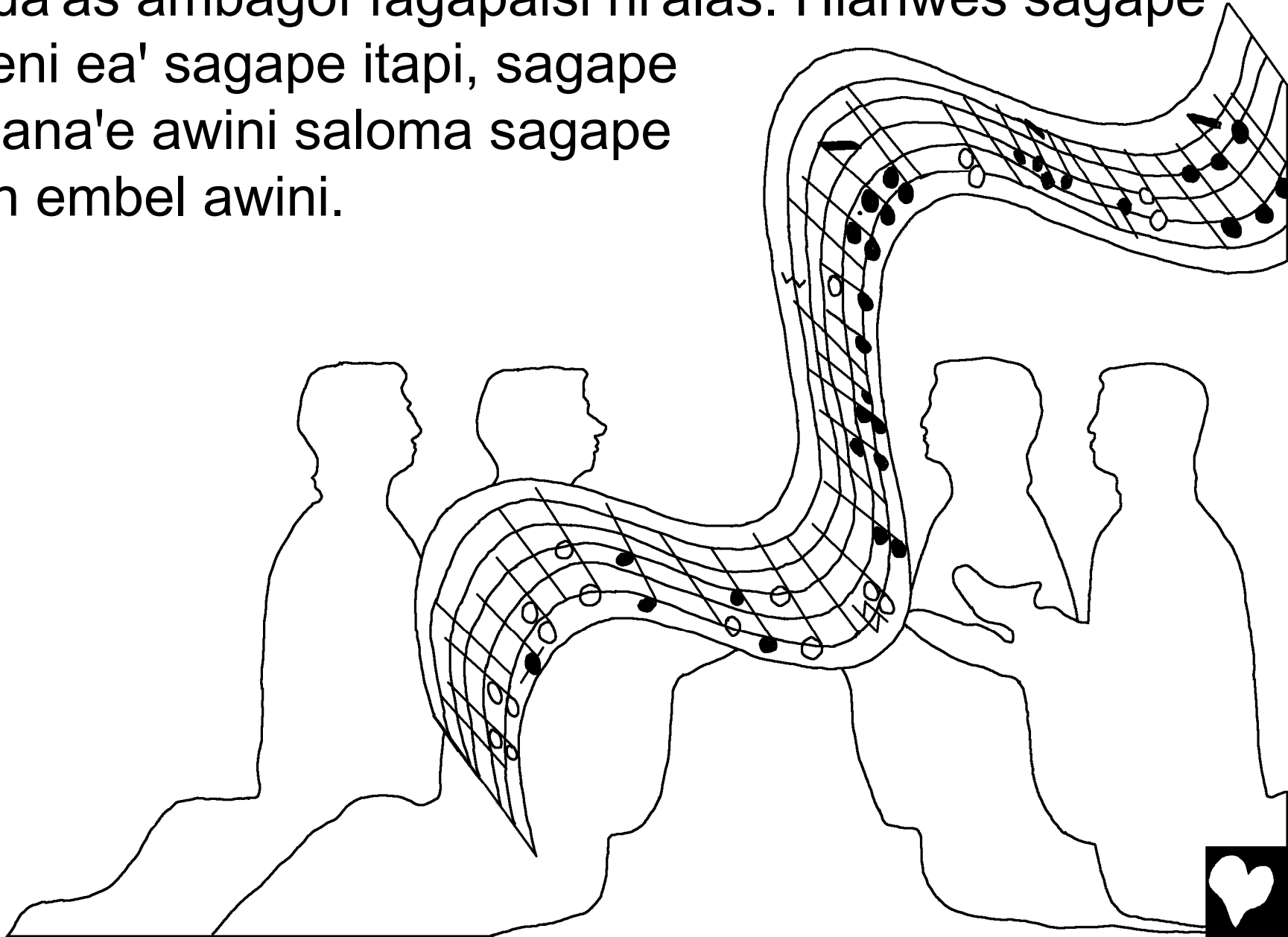
dei' esis sandaiwa'me  
sali'amone ea' afi'i  
ape ailan agilina  
sa'i Patmos.



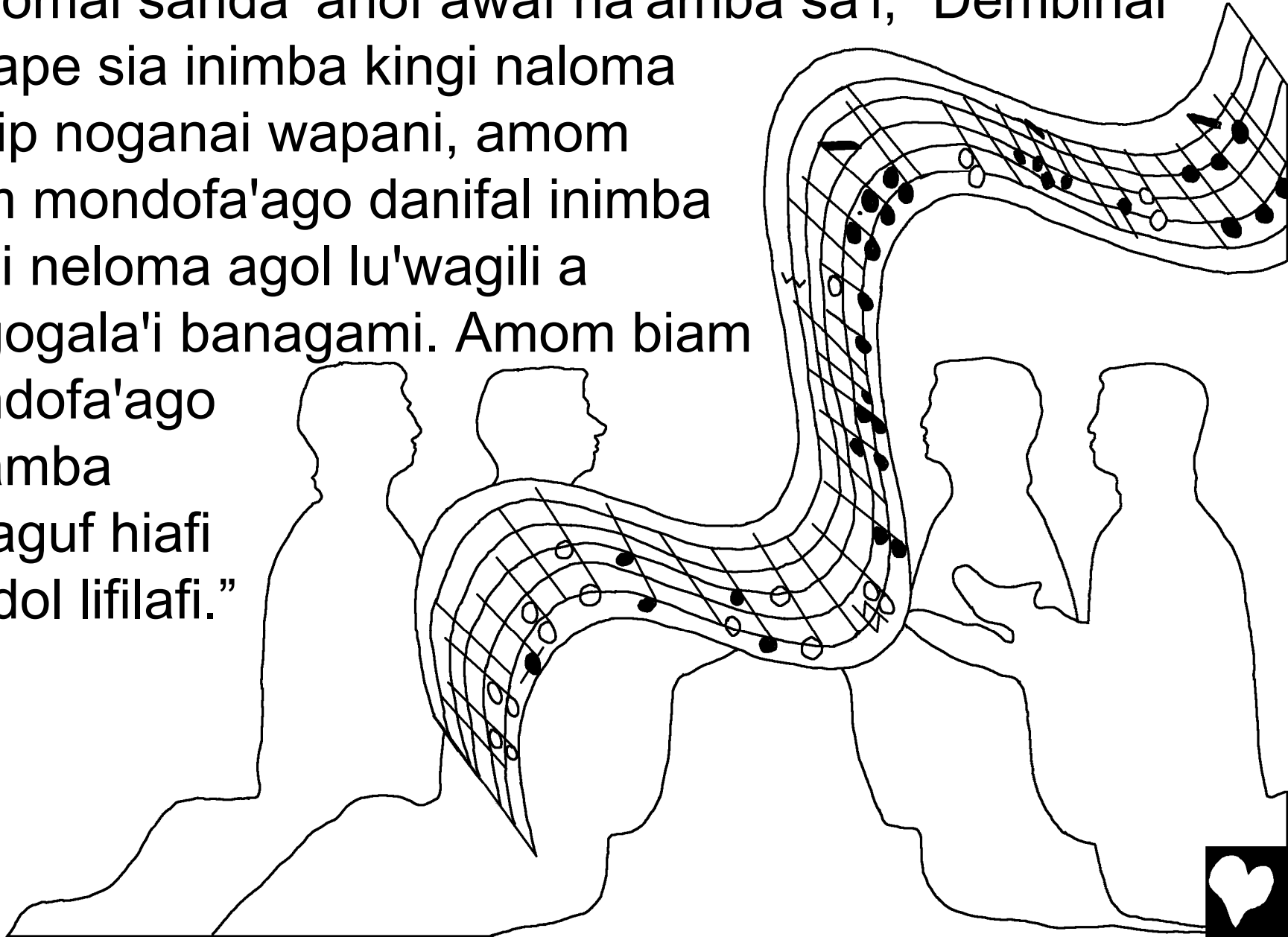
Ea' kwafalis atis Ambal bu'unai Godi nataga banagona  
ma ae'. Ea' ati gani heven sia dembinai kingi ati anona  
aman Dembinai natoman nape.



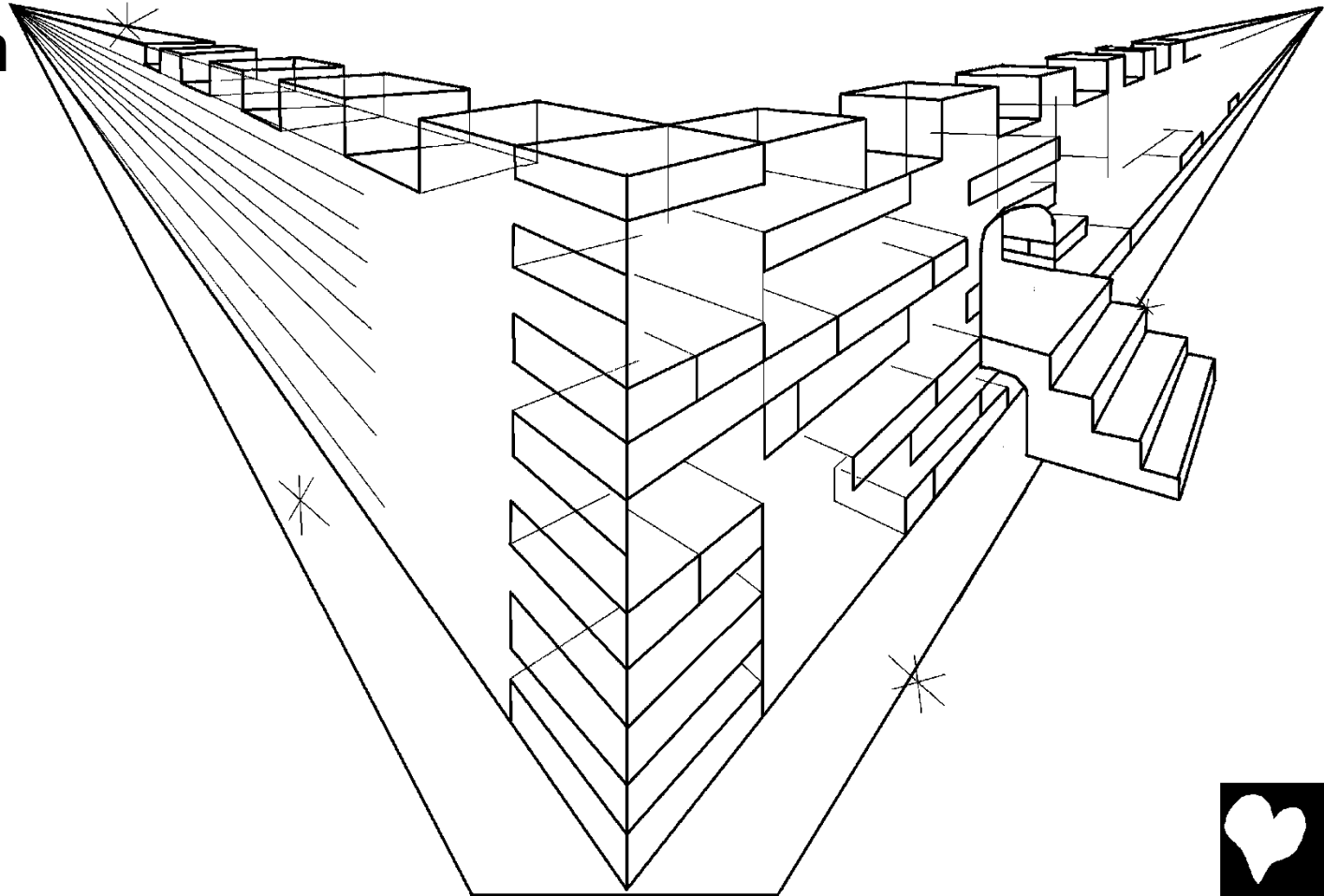
A'i owa' main, ame' diga ma hiahawes hiasi God  
nanda'as ambagof fagapaisi hi'alas. Hiahwes sagape  
heveni ea' sagape itapi, sagape  
itap ana'e awini saloma sagape  
naoh embel awini.



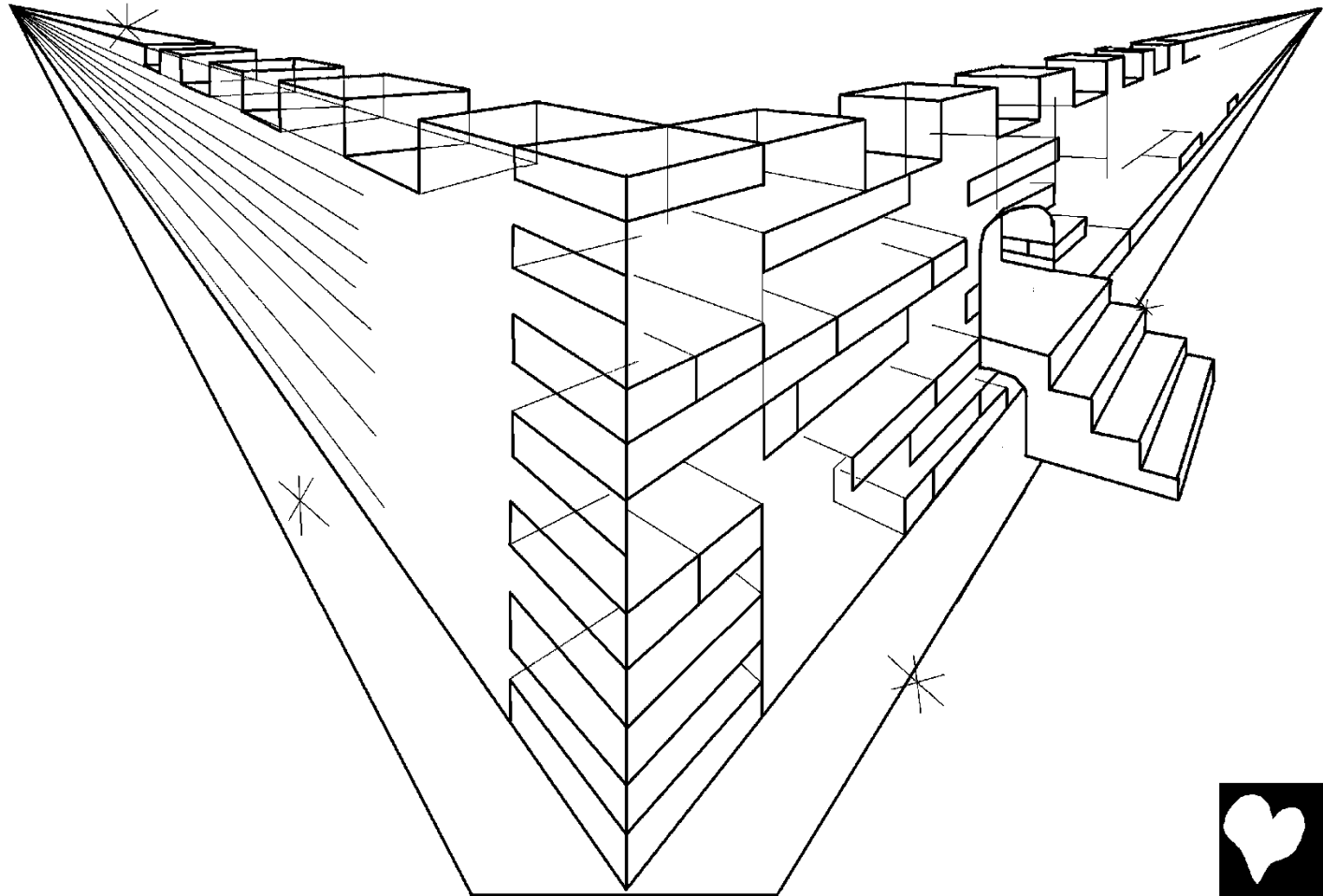
Aho', ame' hiahawes isimba hiasi sagape anamba  
hiagomai sanda' anof awaf na'amba sa'i, "Dembina  
nagape sia inimba kingi naloma  
sipsip noganai wapani, amom  
biam mondofa'ago danifal inimba  
hiani neloma agol lu'wagili a  
mogogala'i banagami. Amom biam  
mondofa'ago  
amamba  
nimaguf hiafi  
dondol lifilafi."



Ea' ati taun wambel bu'wambili hilili'i, anamba Jerusalem dambaigima. Ati anamba nape naloma God, nakwaha heven nisila'i. Wambel anamba nanda' sosaf bu'unai atona nandandombol si'i nemata'w kwa'i kogaso' amani kwanda' sosaf bu'winai atona ma kogaso' aman akwa'unai.



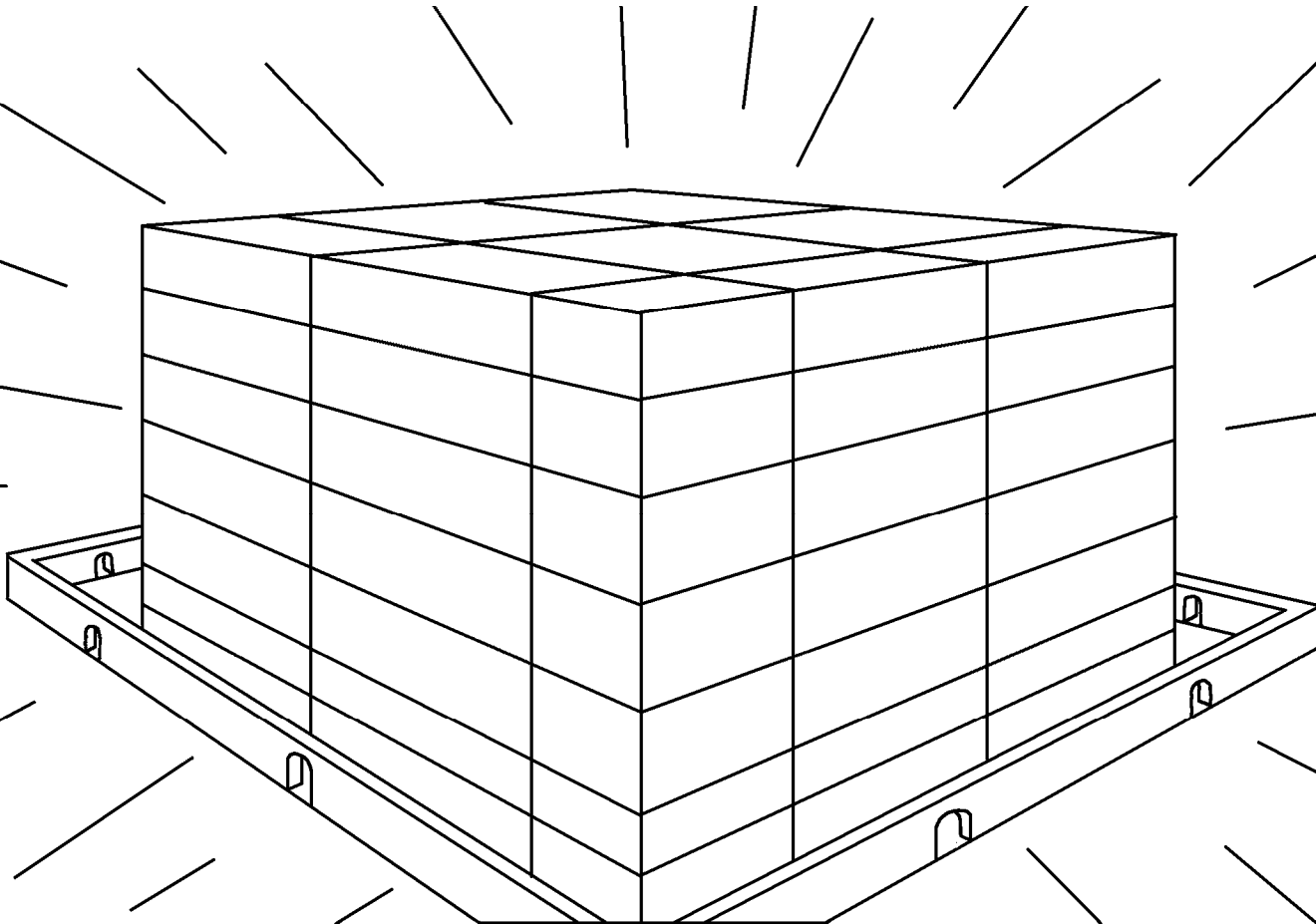
Ea' ame' anagol malogol gatagai sia kingi ga'i mehip na'amba ga'i, "Peme! Dei' ipat Godi totawa taloma epes. Ama anen atiasi nogape la'afena esisa sogape amam nematawa ananisi. Aho', God anen atona nape nalomas."



Ea' ensel anamba a' nihimba'me anemb walemb  
lu'wambi. Walemb ambamba ambal namilimbi ea'  
begala pelele' a'owa' si'i glas. Bewafa batagai sia  
lu'unai king Godi naloma Sipsip Noganai matoma  
sia lu'wani kingi ea' kolo'atin bafe'.



Ea' taun inimba awin owambini alipini maol nenda'ani  
owa' anina ma wambel ambalemba howagalagon,  
owa'atin. Dei' main, mogogala'i lu'wami Godi atom  
mumafiagon manda'agon howalagon. Ea' Sipsip  
Noganai anen atona si'i nagwapin anamba.



Apa' hiahaom awami alugumi a'a epes ami sanda' waf naninani aunaii ea' epes ami sanda' basef baso'afii, esis isimba soloma hiahaom awami ina sefe' siwisa wambel ambalemba, owa'atin endilisi. Sipsip Noganai nanda' agof anis epesi ea' fail buk akwamba ambal namili'wi, epes isimba atis anaf sefe' sogawis wambel ambalembai.



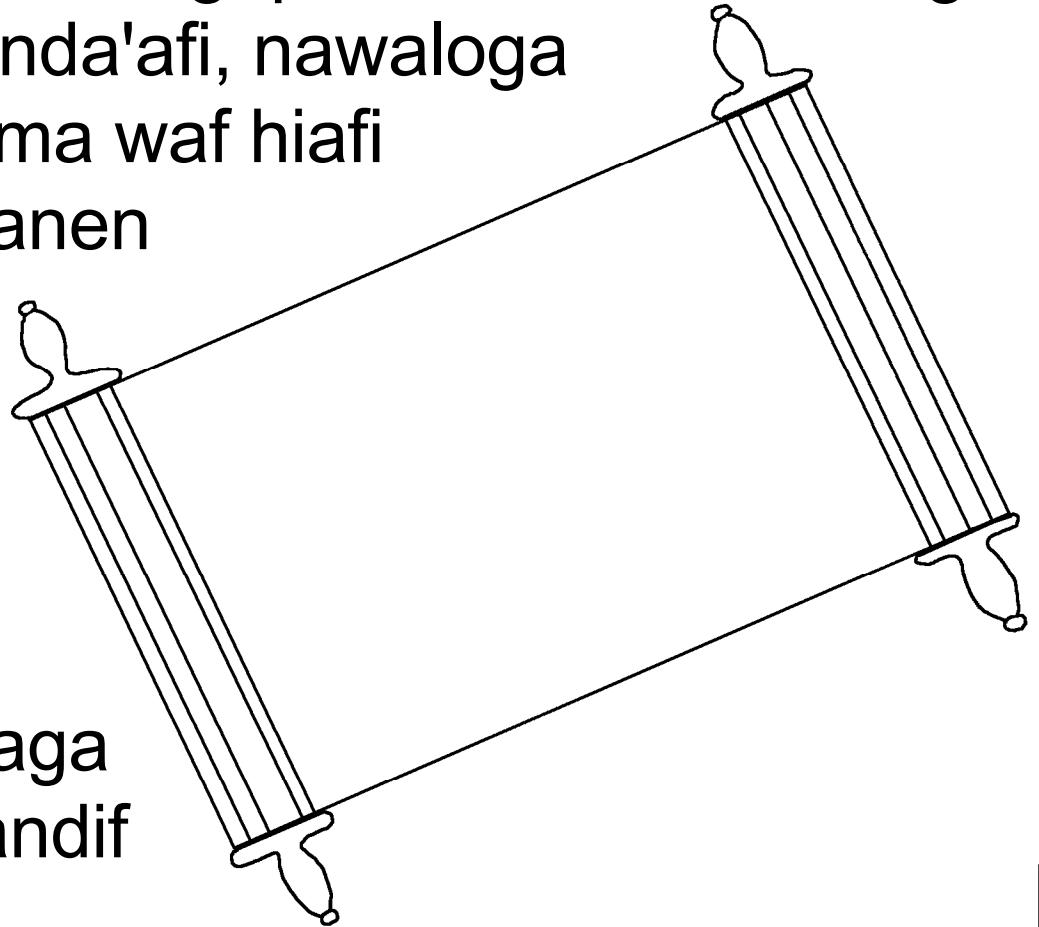
“Anen atiasi nopati'masa  
embifa naep asasipi. Ama ina  
atiasi sogá' wapani a nelelemb  
nimanilimb ea' esis ina atiasi  
selef some' akafimi wapani, a'  
owa'atin. Hiahaom amamba  
fowa'imi mowala higilalam  
hi'alam.”



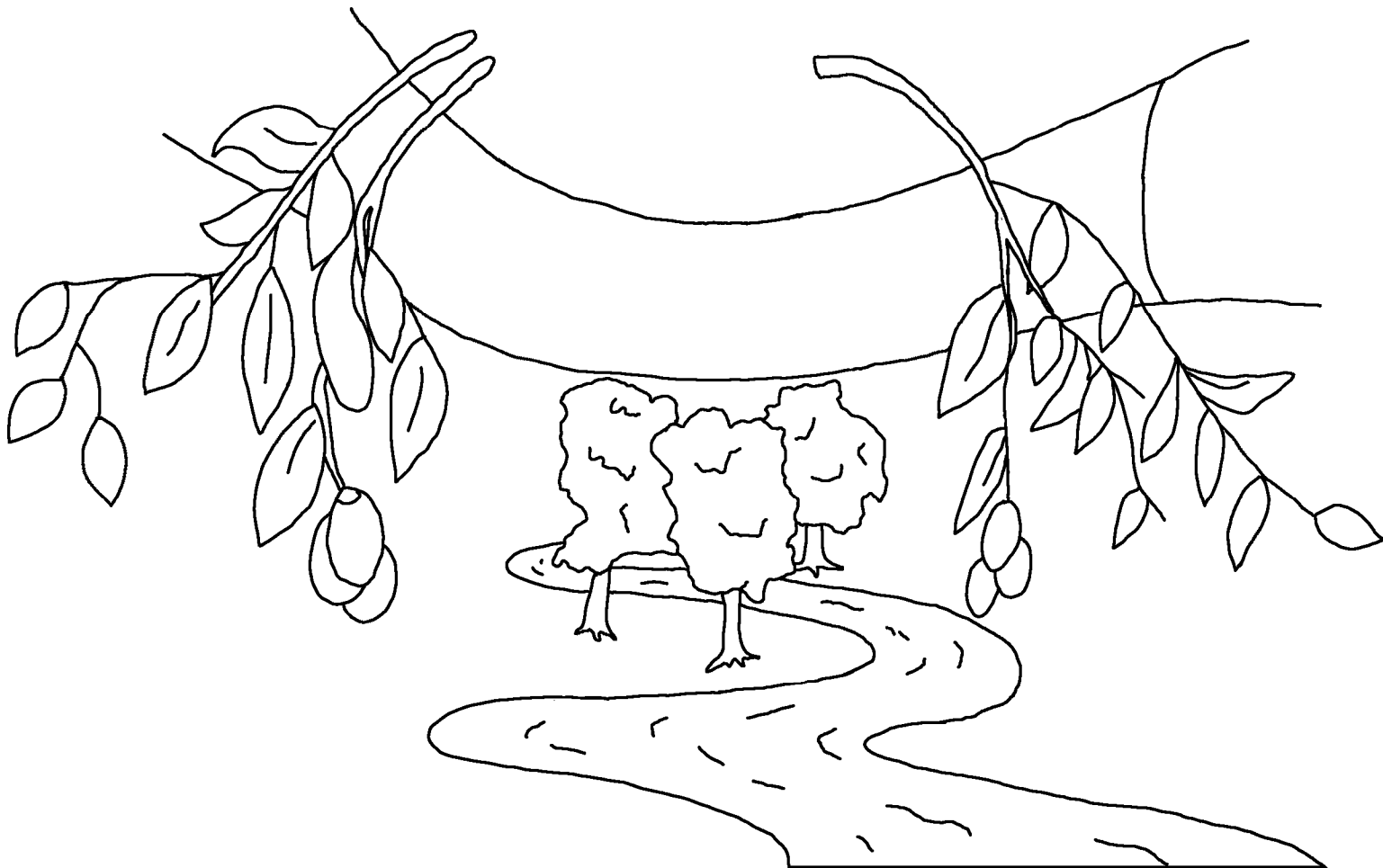
Wambel ambalemba hiahaom hiami God  
nandaiwa'mam endilisi ma na'i nigali'amonami, hiahaom  
amamba ina atiasi mope wapani, a'owa'. God noloma  
Sipsip Noganai, amom dao' anaf motoma sia lu'wami  
kingi mope mumafi epes  
isimba. Esis sonda'  
maol Godi atiasi  
sope sonda'  
lotumana sosa'ma  
agol ananigili. Anaf  
siti nogohnaep  
ananisi ma  
nonda' agol  
ananigili gigail  
amagah  
asasigahi.



Ea' ati esis sagaga'i sape, epes isimba agufisi saloma isimba agof akasi salutu nogohnaep sia kingi. Ea' aman anamba nagatoma siai nupalia buk. Ea' nopalima ano'w buk wapani, ambal namili'wi. Ea' nawaloga esis hiasi sagaga'i hi'alas, nati amef fagape buk akwambai faga'i waf mamahefa esis sanda'afi, nawaloga esis sagaga'i sandahama waf hiafi esis sanda'afi. Ama i'i anen nagatoma sia kingi owa' nigati agol anin epeni gope buk akwamba ambal namili'wia, nigi epen nokwahin newala nowaga anamba nif ifimba fagandif fagapaunai.



Ambal bu'unai Godi naloma nemata'w Sipsip Noganai  
nogaso'akwi esis sa'i, 'Ipa' fi'!' Ea' epen ami negame'  
basef ifimbai, anin ni'i basef ifimba atif ninda'i 'Ipa' fi'.'  
Ea' epen ami iap pegaso'ana embeli, anin nindafi'i.



Epen ami na'i nega' embeli, anin nifi'i nendefa' embel  
ambal namili lagapaimbeli si'i presen hiahaom  
bu'wami God nogaso'asam dowafi, owa' sogatalomia.



Aho' endilisi, God nogamana aman ananinai  
atotona nape. Owa', owa'atin. Anen okom  
maimaila amam nematawa hiapai magape  
itapi hi'alapa. Ea' naso'apai Nogamana  
ananinai atotona ma epes ami  
sogahapifanai sogape andeande', ina  
soga'ma waf awafi, owa'atin.  
Sofa' ambal namili sope  
andeande'  
lifilafi.



Fagafe'ma Esis Romi 3:23

Apa' epes hiapai hi'alapa manda' waf awafi mumbisila'  
mu'uli Godi ea' ina la'ifipama atiasi mogati mogogala'i  
bu'wami ananimi, owa'atin.

Fagafe'ma Esis Romi 6:23

Waf awafi fagwamasa awami ma isimba sanda' maola waf  
awafii. Awami amamba. Esis atiasi sogaa' atin higililas. Apa'  
God dei' naso'apai presen fasini dowaf, inimba ambal  
namili lagape dondoli ma mope sisihipa  
mogoloma Krai Jisas.

Hibrui 9:27

Epes hiasi hi'ilas anaf sogaa' atetef owagama sulumama  
basef lu'wafi God nonda' kotimasafi.



Fagafe'ma Esis Efesusi 2:8,9

Dei' main, God natopalopepa dowaf, isimba atis dei' nofa'epa pitanimai pahapifa Krai. Hiahaom amamba ina ipa' atipa panda'am, owa'atin. God atona nase'epam dowaf. Amamba ina si'i hiahaom ipa' panda' maol pegefa'ami, owa'. Ea' ina anin epen atitin la'ifina negasa'ma agol ananigili atogola hiahaom amamba, owa'atin.

Fagafe'ma Esis Romi 10:9,10

I'i ipa' pewalapa basef ifimba alihif pi'i Jisas anen Dembinai ma pihapifa God nelelemb ipe'ilimbi pi'i anen nasa'mana nogosafel matmat wapani, bola God nofa'ai ipa' wapani pitanimai pepe andeande'. Dei' main, apa' mahapilif nelelemb ape'ilimbi God na'i apa' amam nematawa magataga be'epa hilili' ea'i. Ea' mawalapa hapif malogof ape'igufi God nofa'apa nokwahomapa waf awafi mutanimai mape andeande'.



Jon Nanda'afi 3:16,17

Aho' endilisi, God nogamana aman ananinai atotona nape. Owa', owa'atin. Anen okom maimaila amam nematawa hiapai magape itapi hi'alapa. Ea' naso'apai Nogamana ananinai atotona ma epes ami sogahapifanai sogape andeande', ina soga'ma waf awafi, owa'atin. Sofa' ambal namili sope andeande' lifilafi. God ina nasapa' Nogamana ananinai nafi'i itap apa'e ma nonda' kotimapa, owa'atin. Anen nasapa'ana nafi'i ma nimbimai epes hiapai magape itapi nokwahomapa waf awafi mogafi'mai anen.



## 1 Jon 5:11-13

Ea' basef ifimba endilisifi na'amba. God a' naso'apa ambal namili ma mogape andeande' lifilafi dondol. Ambal namili alamba anen naso'apala Nogamana ananinai atona. Epen ami negape sisihina negaloma Nogamanai, inimba dei' nefa' ambal namili. Apa' ami owa' nepe sisihina Nogamana Godia, inimba ina nefa' ambal namili ma negape andeande' lifilafi, owa'atin. Ae' anda' basef fafe'mago ipa' pagahipifa agol Nogamana Godi. Anda'efa ipa' pegegawa dei' apefa' ambal namili pape andeande'.



Jon Nanda'afi 14; Fagi' Fagafe'ma Esis Korini 5;  
Revelesen 4, 21, 22

Storyline by: Edward D. Hughes

Illustrated by: Lazarus  
and Alastair Paterson

Adapted by: Sarah S.

Mufian NT (aoj) © 2013, Wycliffe Bible Translators, Inc.  
All rights reserved.

<https://www.bible.com/bible/952/MAT.1.AOJM>

©2026 Bible for Children, Inc.

[www.M1914.org](http://www.M1914.org)

[www.bibleforchildren.org](http://www.bibleforchildren.org)

