

www.BibleForChildren.org



Jooni 14



Jiisuu'ke aa'muru', “Domang oraka' dee'doriauka'.
Kumponing masika'antaveriaing, ee'noko ning
masika'antameriainge. Mma' bakanava-koo avatevaro
otong. Ninge otoriainoo' neriampaing.”

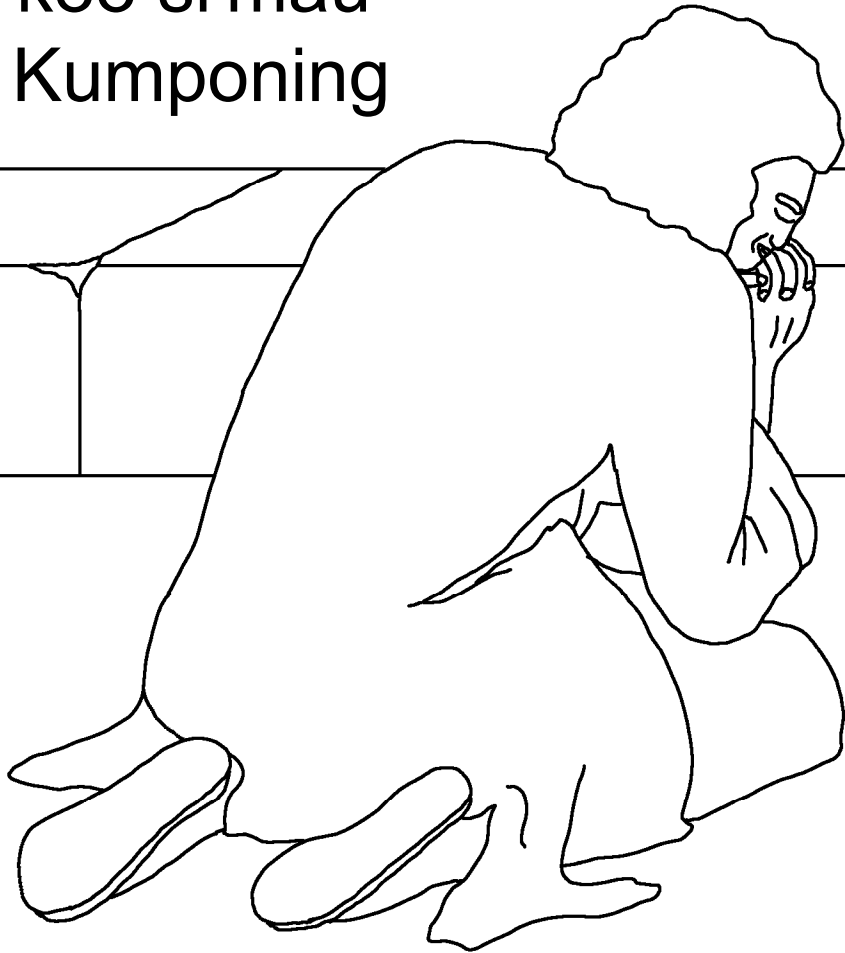


“Tee' naurampiarupeu' tosi dei. Dii' otoriainoo' osi neri
bakeamira napo' toromaravaing, ee'noko ning-anko
po'antarampiaing te' ning o'noainoo' dii' otoriaina'.”



Ning tee Jooni dii'maiko' dii' ninka nari' baike
kompampiru'nung mii'kampiritaa' Karistoo'
bakaang muu'koo. Ee'noko mui' miring

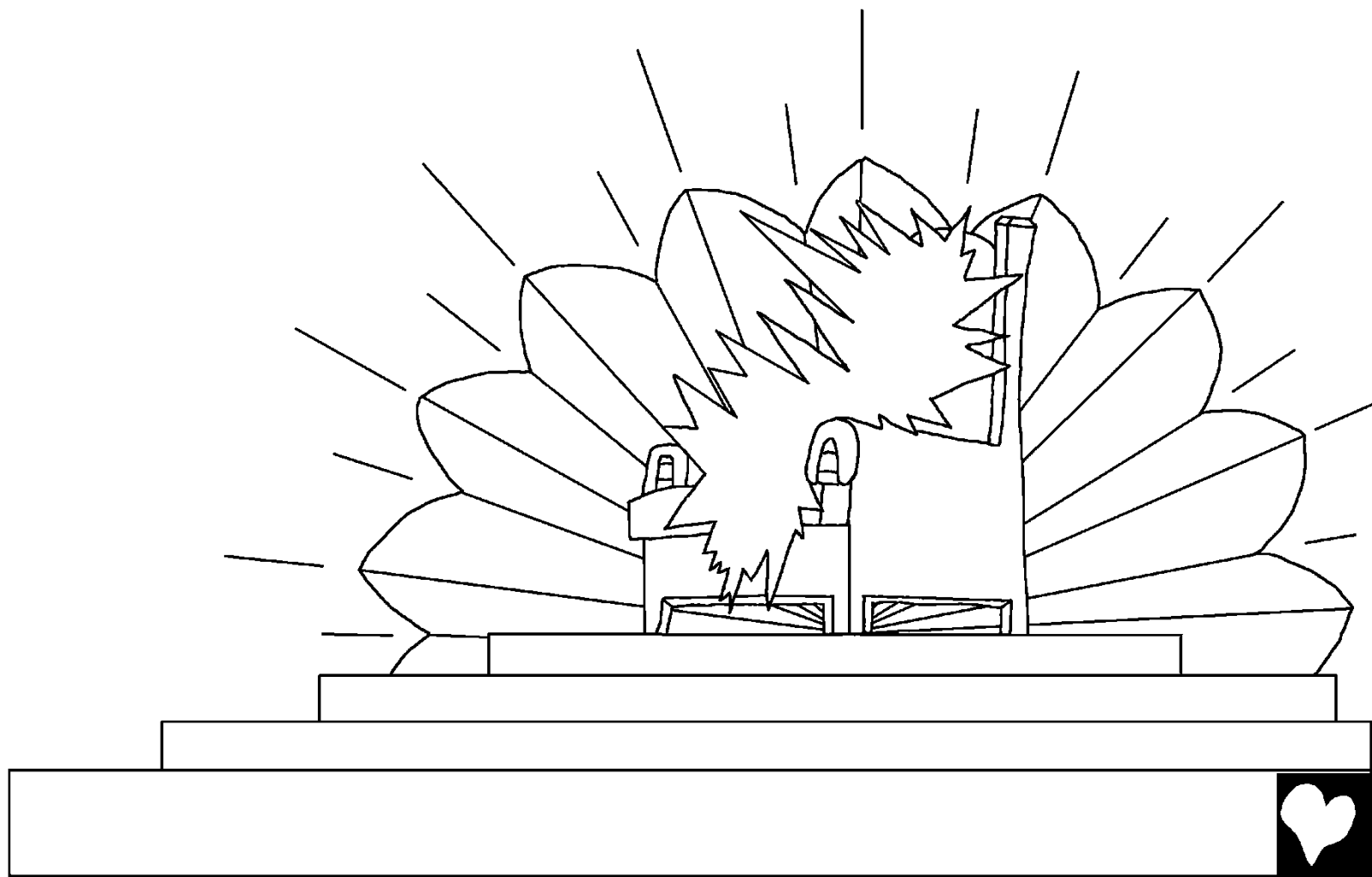
Patimos-koo si'mau'
tee kara Kumponing



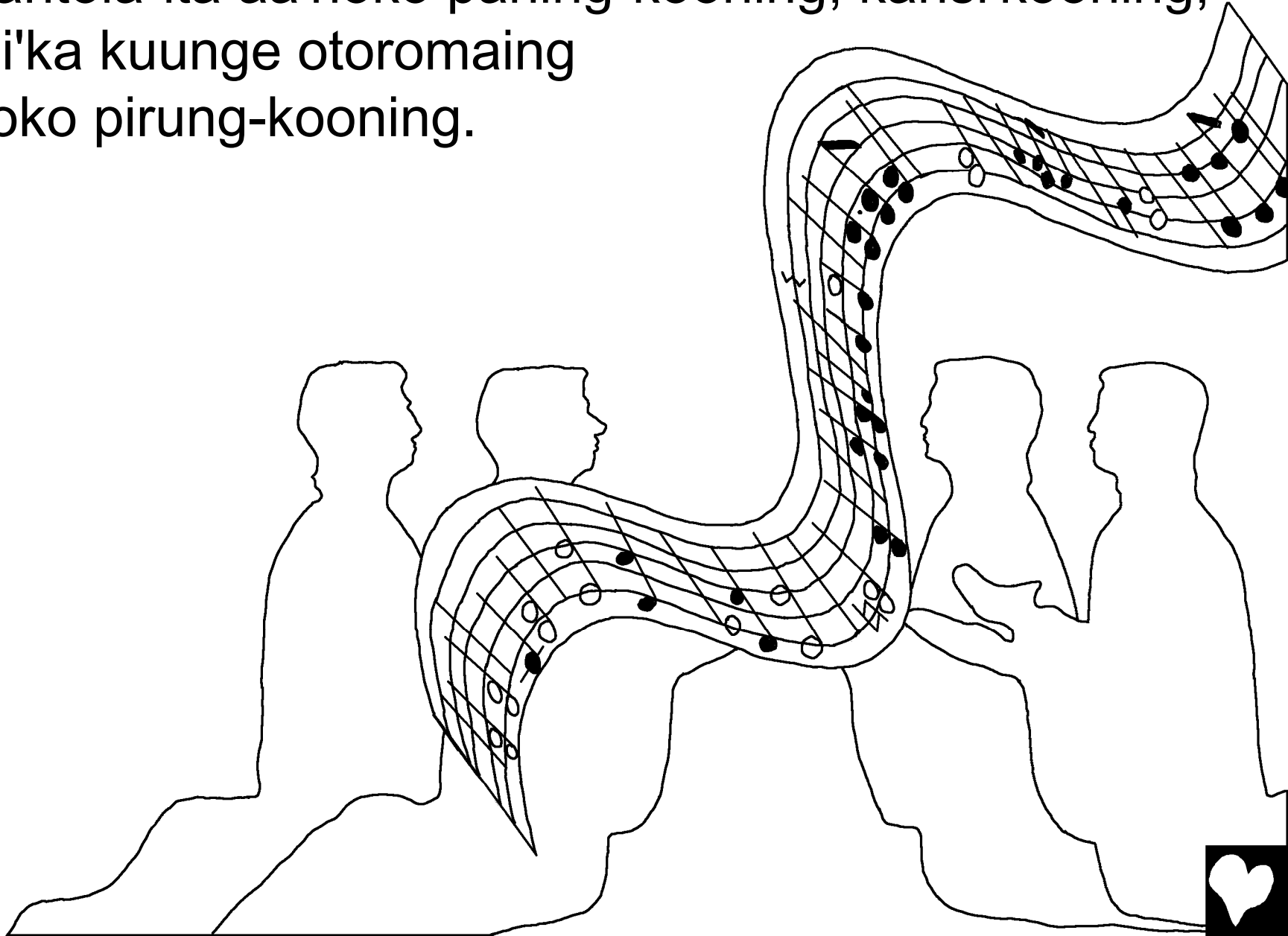
bakaang daankianko
Jiisuu' sira'pama.



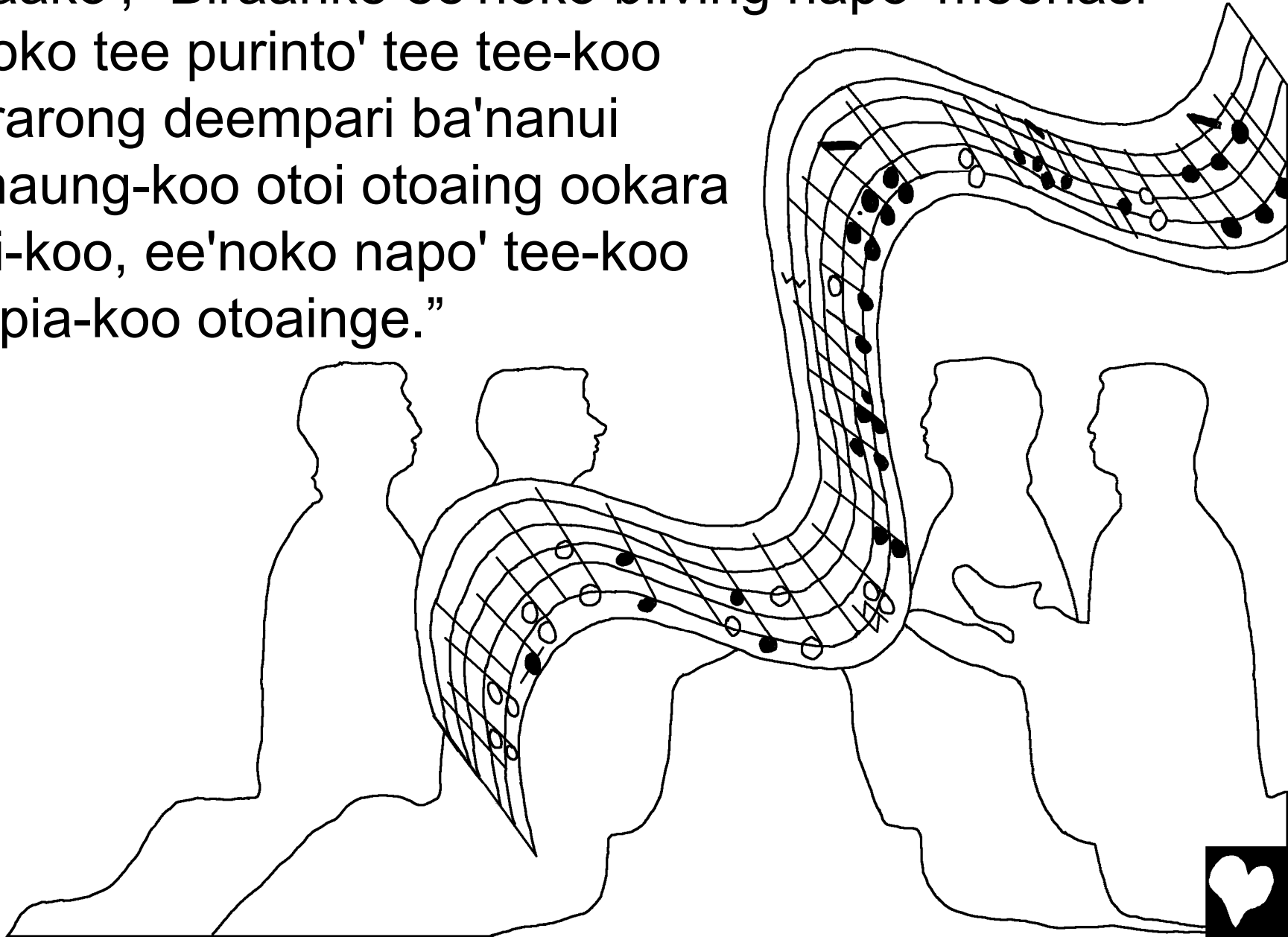
Teketa tenang namu'ke Tanuaang Meekunge
kurunkemuio' teka paning-koo narung Daurarong
bakaang ovorimpari ba'nava'nani' ooantu' teke narung
naning ba'nanuio' tee-koo.



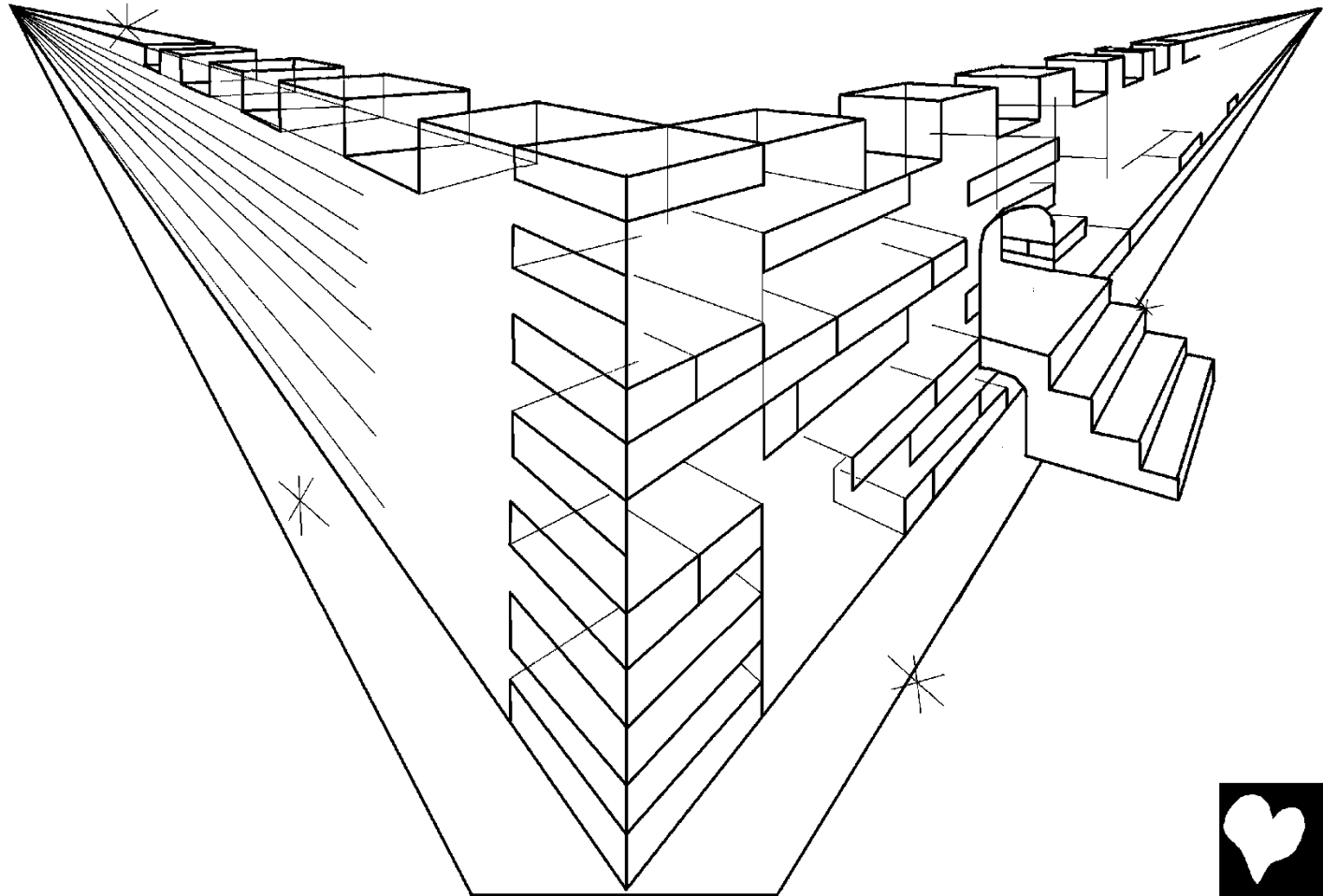
Teketa napo' auronanka taaravantu' ookara kapoo'
domantoia-ita aa'noko paning-kooning, kansi'kooning,
kansi'ka kuunge otoromaing
ee'noko pirung-kooning.



Teing ookara tenairu-koo otoromainge kenavarima
aa'paako', "Biraanke ee'noko biiving napo' meenasi
ee'noko tee purinto' tee tee-koo
Daurarong deempari ba'nanui
otomaung-koo otoi otoaing ookara
batei-koo, ee'noko napo' tee-koo
Kampia-koo otoainge."

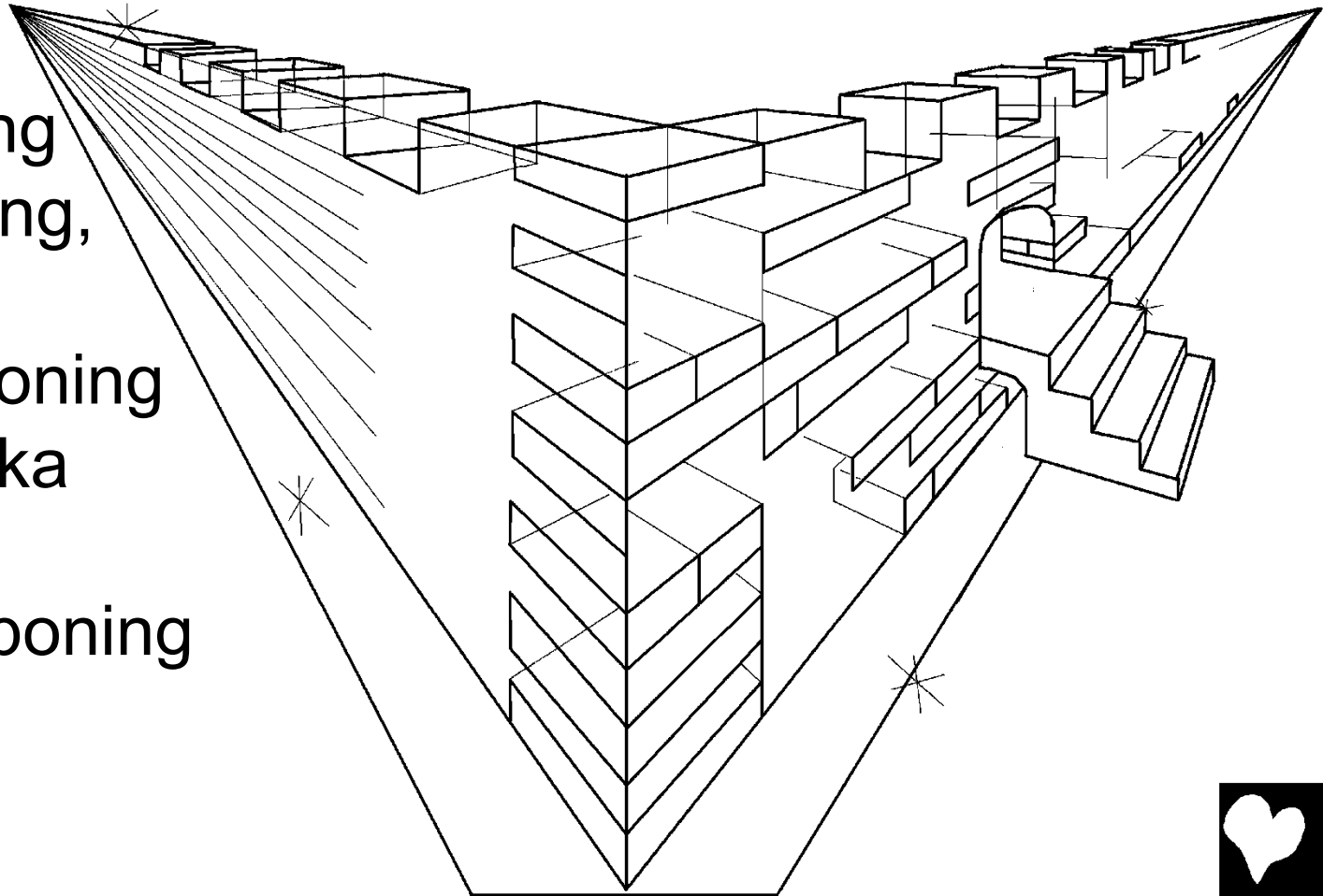


Teketa osi pankamono meekamono ooantu', osi tee nerakung Jerusalema' paning-eta depeto Kumponing-ankoita siario' nerai'na'pina' kapoo' tampa' oro'ninge nepu'ari ba'ung ninka nampeesi-koo maamu-antanii'pina'.



Ee'noko narung aurong teketa
ba'nava'nani'doma-ita aa'na' karoko taaravantu'
aa'puko, “Enang tee Kumponing oto'doma
nantoong ninka nari' otong, tee tee enang teing
ninka nari' otoroo'naang osi nerakung-koo.

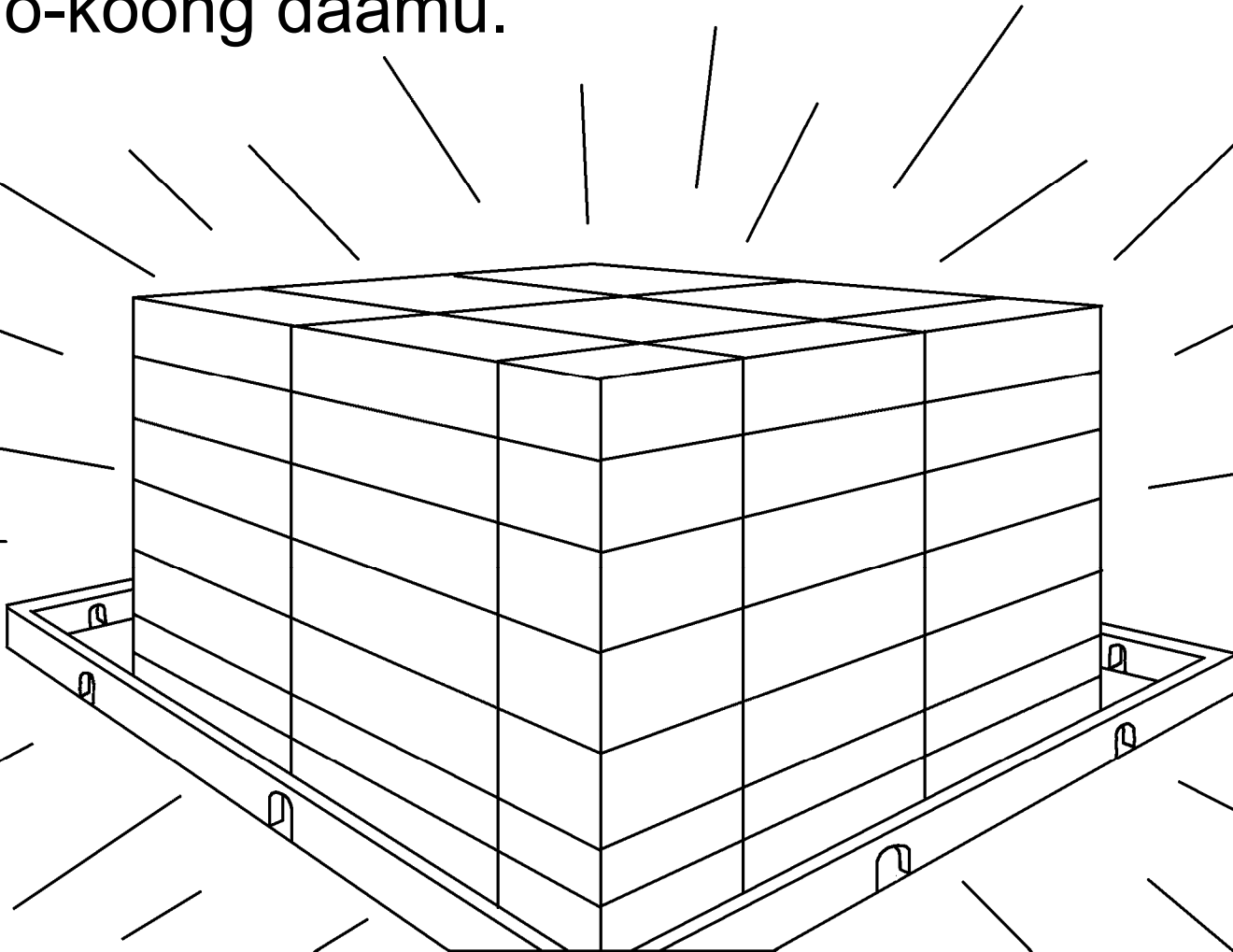
Teing teing
enang bakaning
deemparii'naang,
ee'noko tee
ee'nara Kumponing
baka teing ninka
nari' otoroaing
biikaang Kumponing
deempari.”



Teketa teie koosinunge tee ntong pankarei
nau-antamuu' tee ntong domang-anta, aa'na' kiiroraa'
kalaasi-pina' oro', teketa Kumponing ee'noko tee
Kampia beekanoo' overimparesi ba'nava'nani'doma-ita
tuuvumaung meu'ke teie taung pankaraunge doonko
tee-koo osi pankamono-koo.



Tee temono osi pankaing tee duaa' ee'noko kaara
aa'naanka teke oto'koo arakavarema makoturea',
ai' te' te' Kumponing bakaang meenasi narunge
arakavumanoo', ee'noko tee Kampia tee teke
temono-koong daamu.



Kapoo' kiiroraa' deeaung temono-koo
tumparavauka'nunge, napo' maimaia' nkonuka ee'noko
kara daang minkunuka
tung-anta-koo makotua' te'.
Teka teing naing nantoong
temono-koo tumpariaining
tee Kampia bakaang
buuku domantoo'koo
domampariaining
makosina' biikaang
miring daarinii'nuka.



“Ee'noko teie ookara biikaang
ta'dunanka duta-ita piu'evuriaing.
Enang-eta deto tee teke teing
aing aa'ning otoauka'nung: boo',
orarunsi, birong, ee'noko
sisikeera, ai' ookara aarumo
urikananka tee tero tankinuing.”



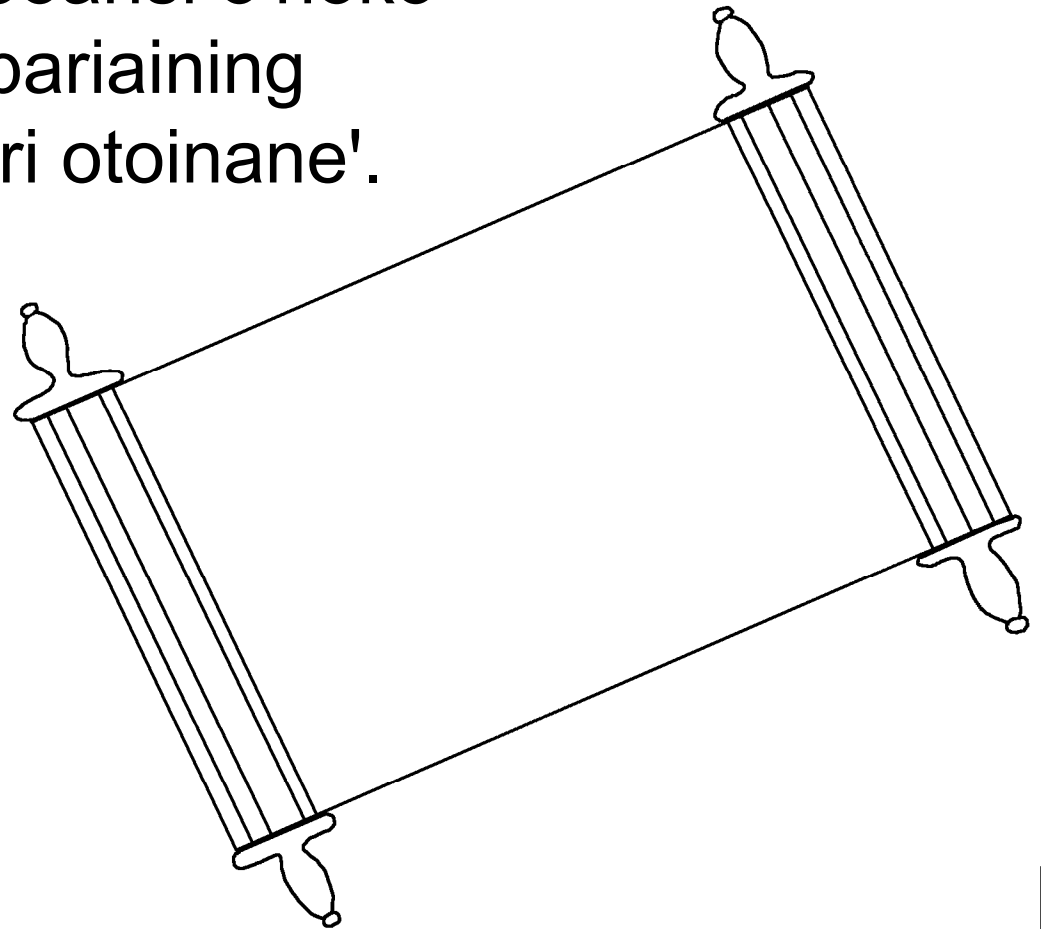
Teketa deto tee napo' barakosi' otoauka'nunge, tee
Kumponing ee'noko tee Kampia beekanoo'
ba'nava'nani'doma te' teke temono-koo otoi otoaing
ee'noko Kumponing bakaninge . . .



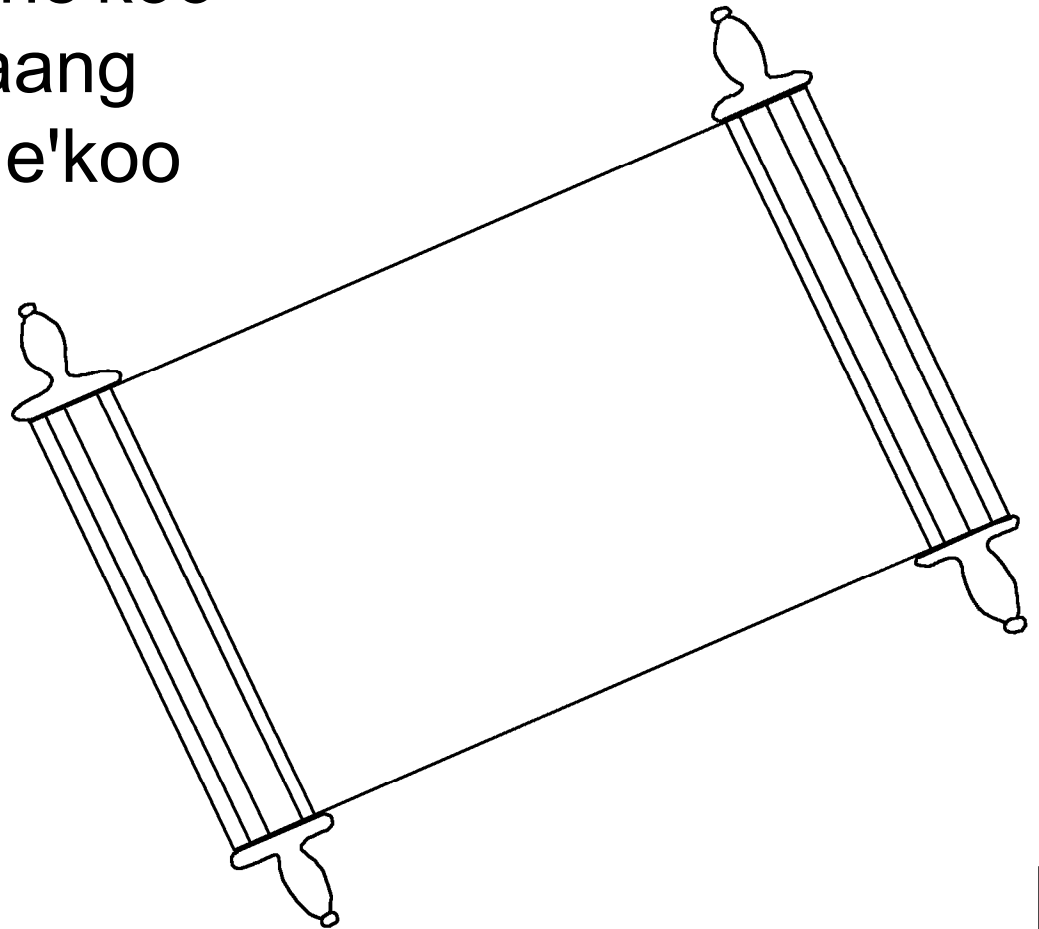
. . . botovotonaa'nukai tee teka dootuu'aar-emaatoaing.
Ee'noko teinge tee bakaang oing ooaavaing ee'noko
bakaang miring biikaang oing-koo otoaing teing
bakaning taa'ni'antavuri.



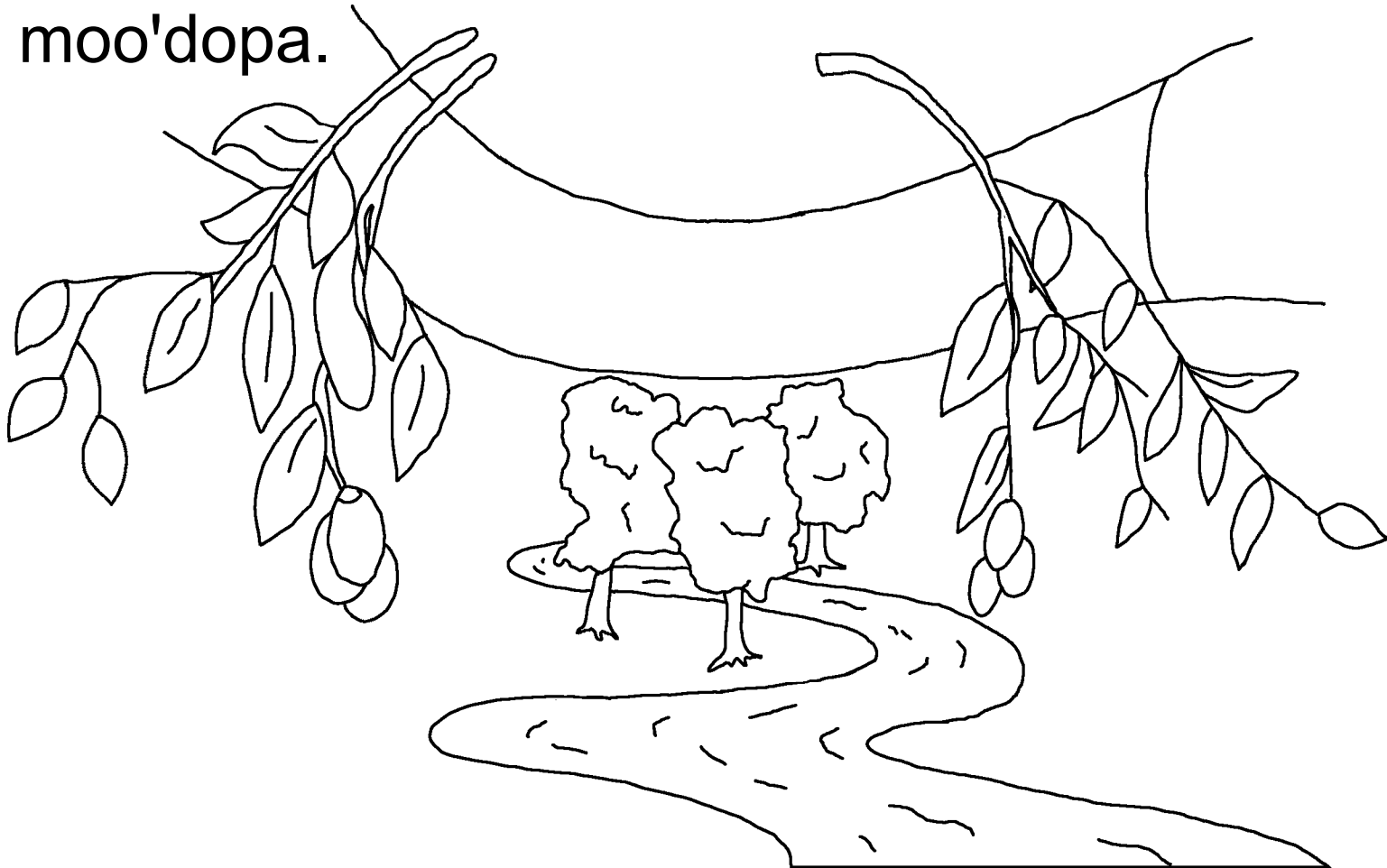
Ee'noko teka ookara boo'nuka tee-koo uro'kanoo'ke
donkoniao' ooarrantu', ookara aa'noko ovontung
ee'noko tamunsi'nuka, ee'noko teka napo' buukunanka
bere'uko ooantu'. Ee'noko napo' nii'nane' buuku
domantoo'nane' teka ooansi o'noko
bere'uu' teing domampariaining
biikaang miring daariari otoinane'.



Ee'noko boo'nuka teing ookara kapoo'nanka
nkoau'ning-koo makosina' simpe'uru' teing-koo
buukunanka-koo daariariri otona' siompario'. Baata
nantoong biikaang miring oovuriaruu'ning tee buuku
domantoo'koo teing tene'koo
domampariaining biikaang
miring daariari otonane'koo
teing teing tee-koo
dinkung nta'
kauoori-po'nung-koo
doonko dua'aaru'ning.



Teie Tanuaang Meekunge ee'noko teni Manikuma
Kampiai Nampui-nani aa'puremang, "Poai." Aia' baie
teie taaravuainge aa'puai napo', "Poai." Ee'noko baa
tee nukaa'oi otoing ntong-koo poai. Ee', baa tee ntong
domang-anta nai-koo piavoi otoing pora naikuai, ai' tee
tee moo'dopa.



Ee', Kumponinge
nii' ookara kansinupoong aa'na'
piaamurikota' tee Bauring narung
masikung kirokai taura'puu'nung tee
boo'paraa'naang nii' paku-koo; bera
tee naning tee masika'antavuaing
paa'aravauka'nung, teka
domaang oparavaung
oto'evuaing.



Rooma' 3:23

Aming-koo, ookara nari' oraka' nkoarima kaari'arikoo'
Kumponing bakaang meenasi kong-koo.

Rooma' 6:23

Orara aarumoi tee moo' avu'koong, tee boo'. Ee'noko
Kumponingee tee bauta'muriaing teie domaang
oparavaunge Jiisuu' Karistoo'koo kuunge,
niikaang Ovoring.

liburu 9:27

Kumponingee toomo aung: Nantoong tee namu'ke
booroaing ee'noko tee-koo dama'due koosinampariaing.



Epeses 2:8,9

Ai' Kumponinge avusiro'ari domang-anta masika'antaveru'noo' deeko' domantariru'ning, dii'ka deea', bauta'durima. Kapoo' nkoveriko tee' domanturia' maku'koo. Maroita, naning daangampara'neeng-koo.

Rooma' 10:9,10

Tee dii'ke karang-eta sira'periaing deeko' aa'perima, "Jiisuu' tee Ovoring," ee'noko masika'antaveriaing diikaang domang-eta tee Kumponinge domang-antavuu' nung bou'noo'keta, tee'koo enang dii' domantariaing. Tee naning masika'antavuko bakaang domang-eta tee koonto' naning tampuaing; ee'noko sira'puaing bakaang karange tee tee moo'aravaing.



Jooni 3:16,17

Ee', Kumponinge nii' ookara kansinupoong aa'na' piaamurikota' tee Bauring narung masikung kirokai taura'puu'nung tee boo'paraa'naang nii' paku-koo; bera tee naning tee masika'antavuaing paa'aravauka'nung, teka domaang oparavaung oto'evuaing. Kumponinge Bauring botovuu' domang-antanung deemparaa'naang, tuumpinung deea'.

1 Jooni 5:11-13

Ee'noko tee kara Kumponinge sira'puu'nung tee aung: Kumponinge tee nii' domaang oparavauka'nung amuru', ee'noko tee domaang tee Bauring-koo otong. Baa tee naning Bauring oto'evumaung tee-koo tee domaang otong, ee'noko baa tee naning Bauring oto'evuaung tee-koo tee domaang otoa'. Aung tee ninge dii'koo daariamang tee Kumponing Bauring bakaang miring masika'antaverimaung-koo dii'ke noru'erii'naang dii' teing tee domaang oparavaung oto'deruring.



Jooni 14; 2 Koorin 5; Makensi'nung Oo 4, 21, 22

Storyline by: Edward D. Hughes

Illustrated by: Lazarus
and Alastair Paterson

Adapted by: Sarah S.

Naasioi Bible (nas) © 1994, Wycliffe Bible Translators, Inc.
All rights reserved.

<https://live.bible.is/bible/NASPNG/GEN/1>

©2026 Bible for Children, Inc.

www.M1914.org

www.bibleforchildren.org

