

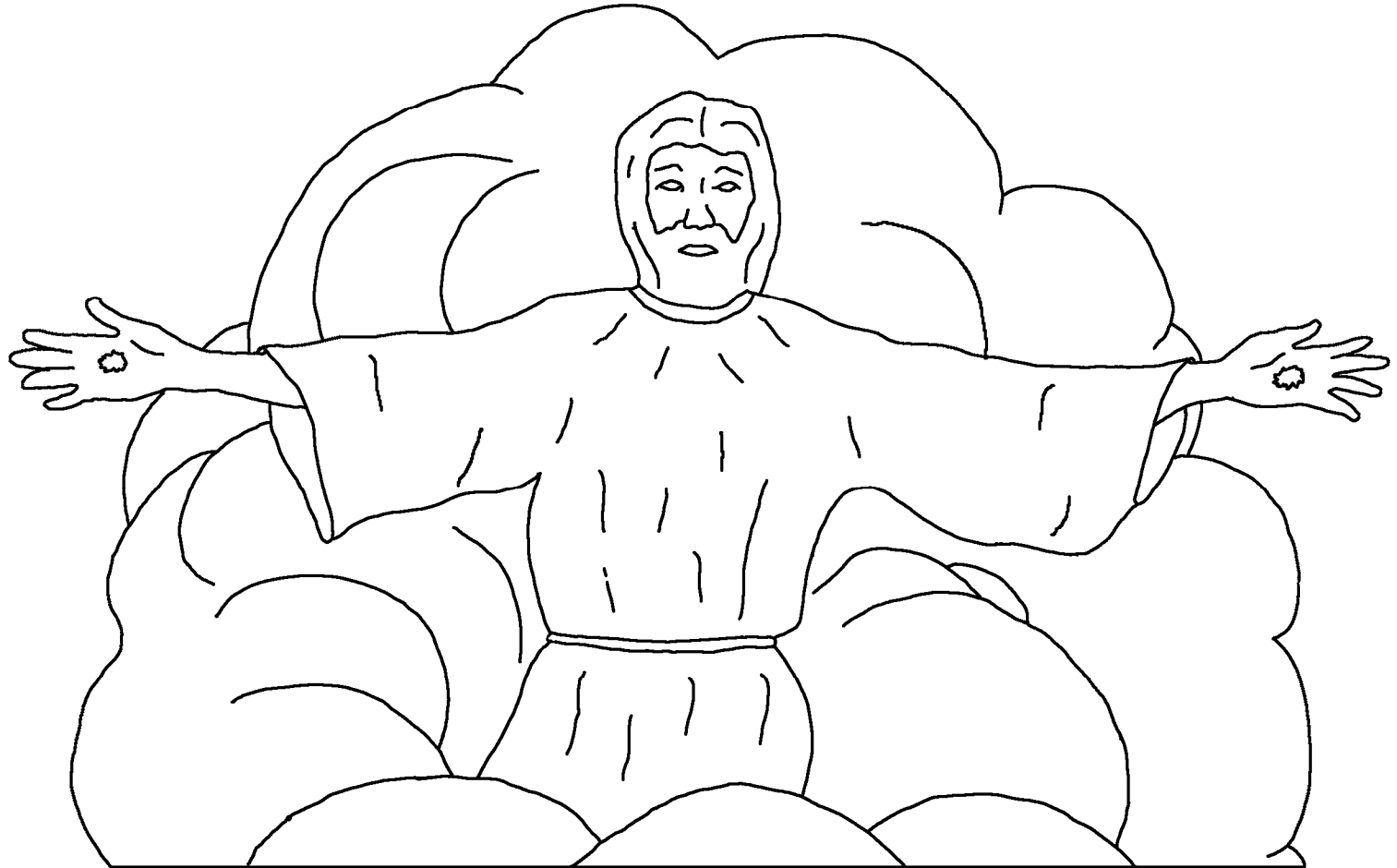
www.BibleForChildren.org



John 14



“Tumi laga mon chinta nohobi. Tumi Isor ke biswas koribi, aru Moike bhi biswas koribi. Ami laga Baba laga ghor te jagah bisi ase, jodi nohoi, to Moi tumikhan ke koi dibo, kelemane Moi tumikhan karone jagah taiyar kori bole jai ase.”



“Aru jodi Moi jai kene tumikhan karone jagah taiyar kori loile, Moi aru ahikena tumikhan ke loijabo, aru kot te Moi thakibo ta te tumikhan ke bhi thakibo dibo.”



Moi, John- apnikhan laga bhai aru ekjon jun Tai
laga rajyo nimate eke logote mili kene dukh
korise, aru nomro kori kene Jisu nimate

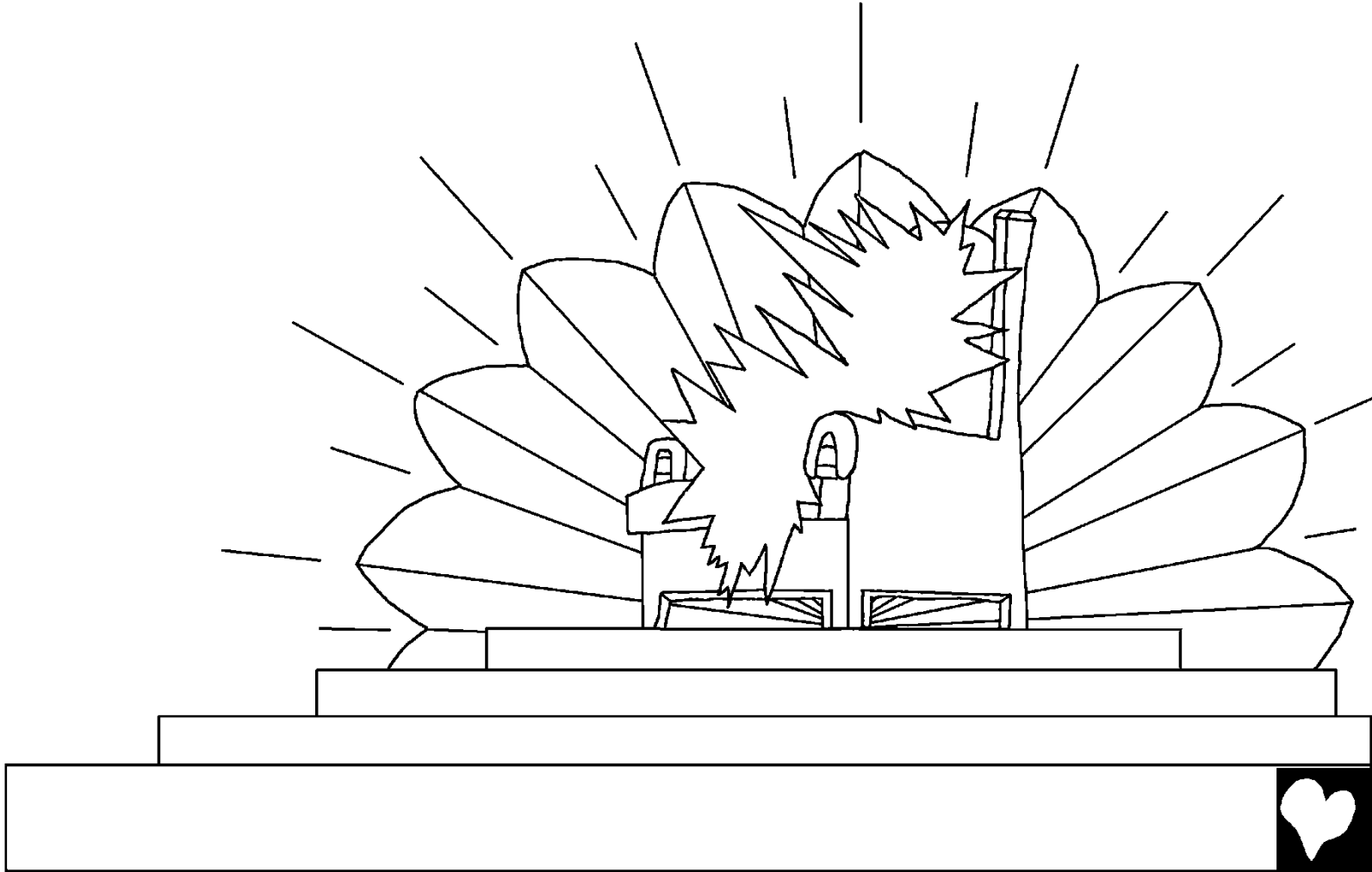
sob kaam korise- Moi
Patmos laga ekta majuli



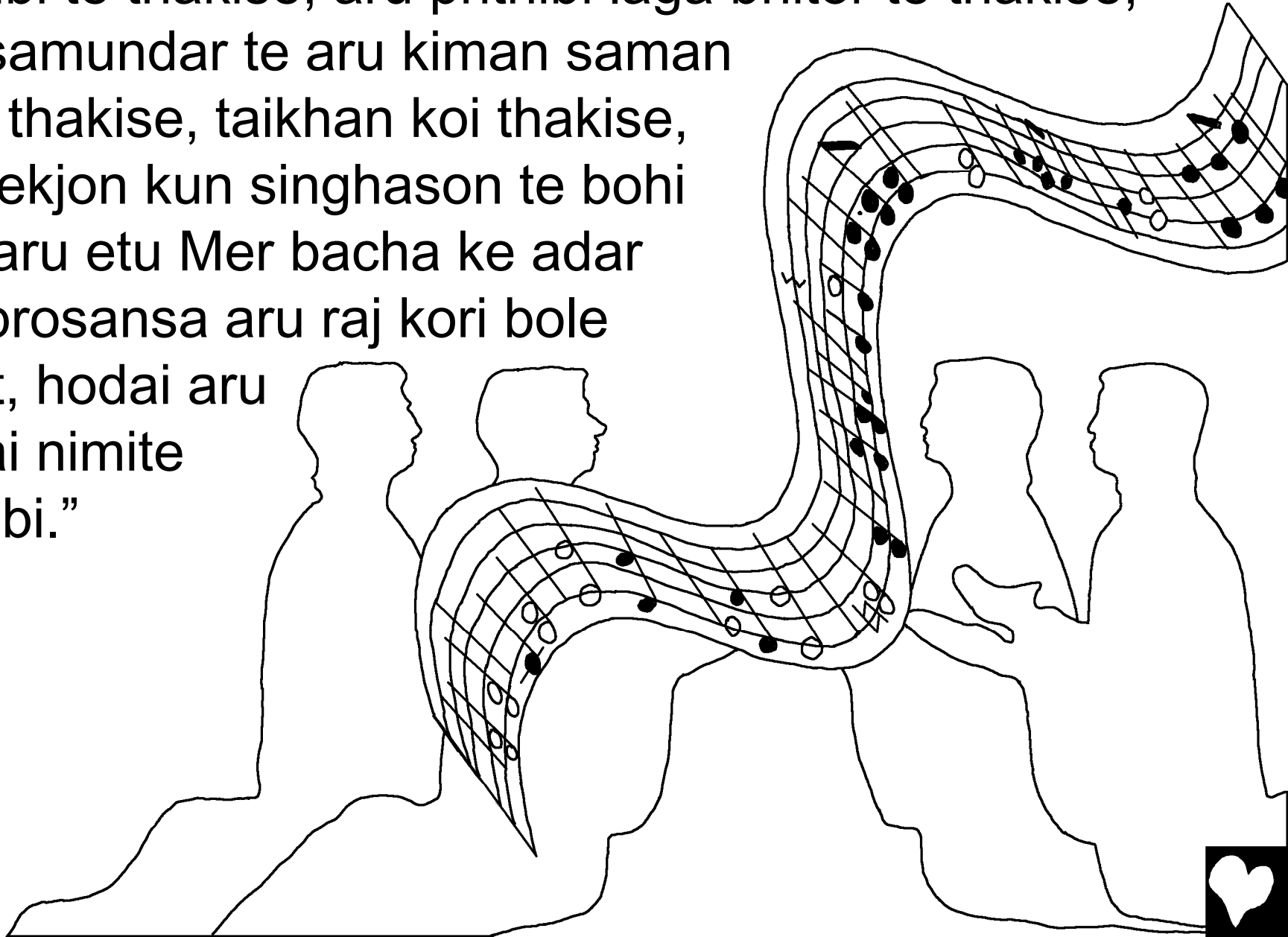
majote thakise, Isor
laga kotha aru Jisu
laga gawahi nimate.



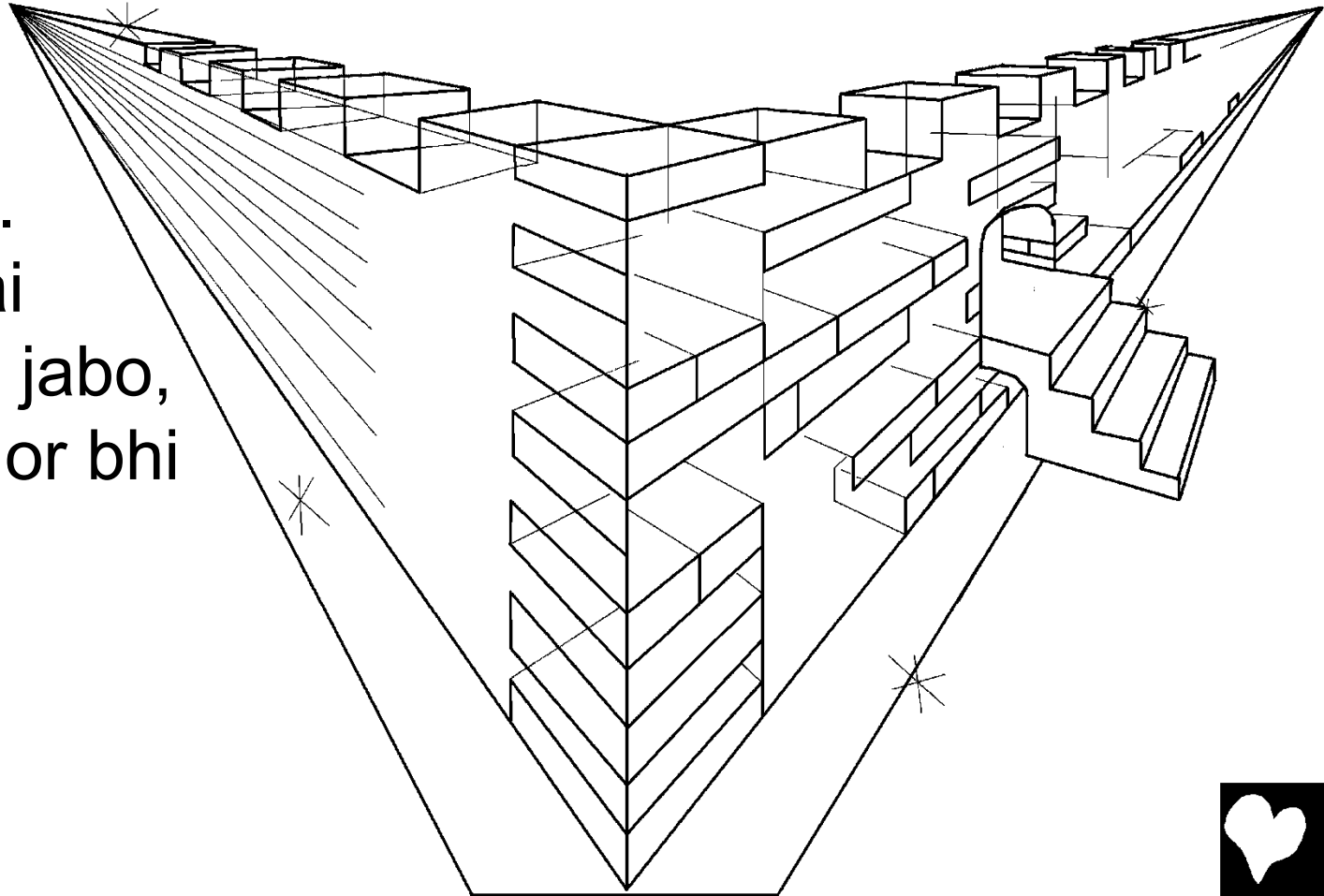
Etu homoi te Isor laga Atma moi logote thakise aru
sabi- ekta singhason sorgote rakhidise! Aru kunba
ekjon etu singhason te bohi thakise.



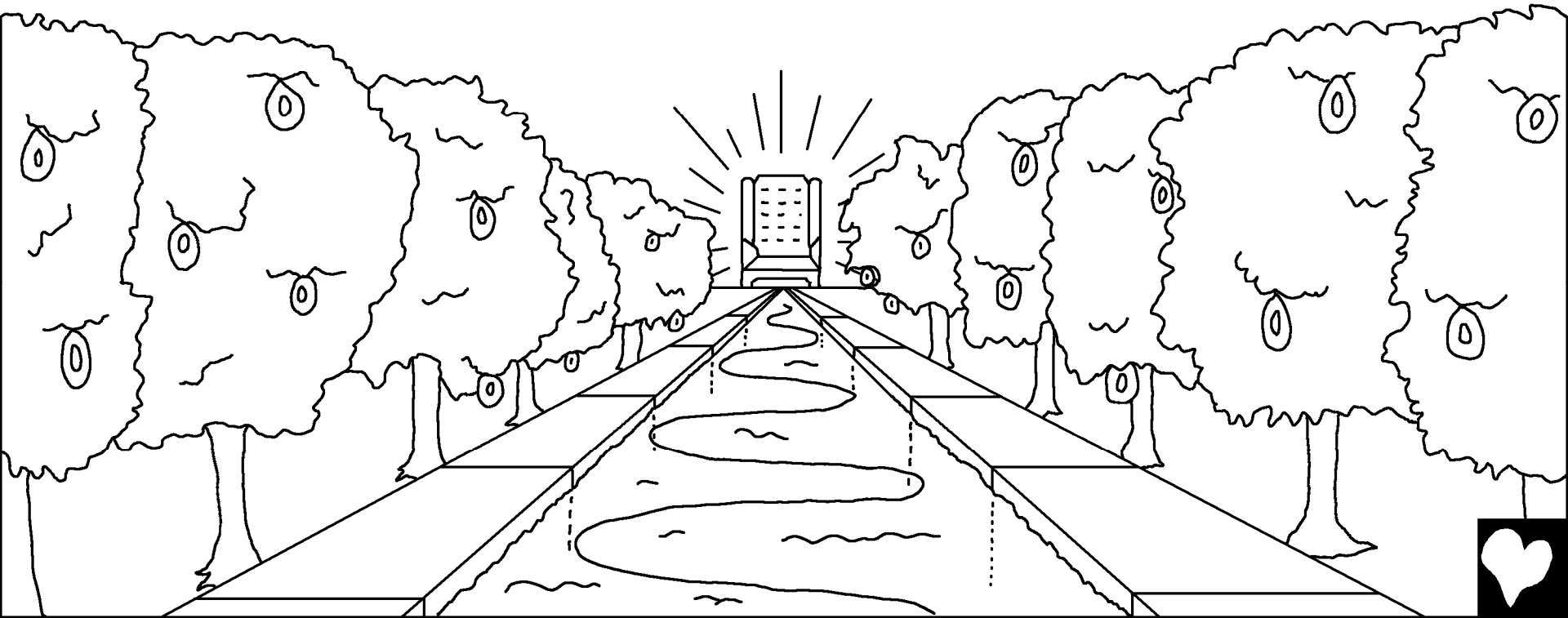
Titia moi hunise sob bonai diya saman jun to sorgo aru
prithibi te thakise, aru prithibi laga bhitor te thakise,
aru samundar te aru kiman saman
ta te thakise, taikhan koi thakise,
“Tai ekjon kun singhason te bohi
ase aru etu Mer bacha ke adar
aru prosansa aru raj kori bole
takot, hodai aru
hodai nimate
thakibi.”



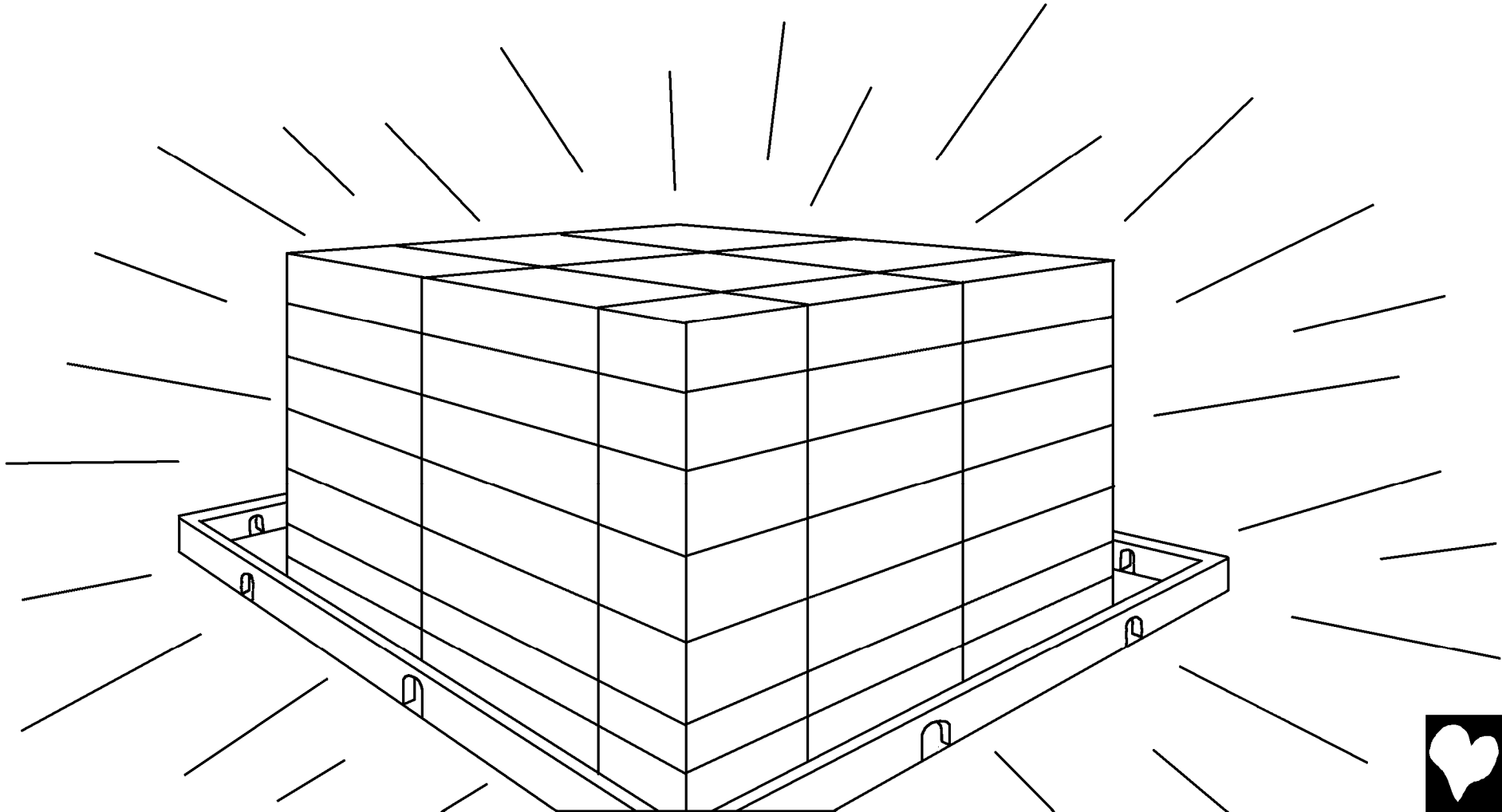
Aru moi pobitro sheher dikhise, notun Jerusalem Isor laga sorgo pora ahi thakise, ekjon shadi kora mahila tai laga mota ke taiyari kori kene lok pabole aha nisena. Aru titia moi dangor awaj singhason pora koi thaka hunise, “Sabi! Isor laga ghor to manu khan logote ase, aru Tai Nijor he taikhan logote thakibo. Taikhan he Tai laga manu hoi jabo, aru Isor Tai nijor bhi taikhan logote thakibo.”



Titia sorgodoth pora moike jibon laga pani dikhai dise,
crystal nisena sapha thakise. Aru etu Isor laga
singhason aru Mer bacha laga singhason
pora giri thakise.



Etu sheher te suryo aru chand laga ujala eku dorkar thaka nai. Kelemanee Isor laga mohima ta te ujala diye, aru tai laga saaki to Mer bacha he ase.



Taikhan sob desh laga adar aru mohima ta te he anibo,
kintu eku letera saman ta te jabole na paribo, aru kun
chalak aru biya kaam kore,
taikhan ta te jabo na paribo,
kintu khali kun laga
naam Mem bacha laga
jibon laga kitab te likhi
kene ase taikhan he
ta te jabole paribo.



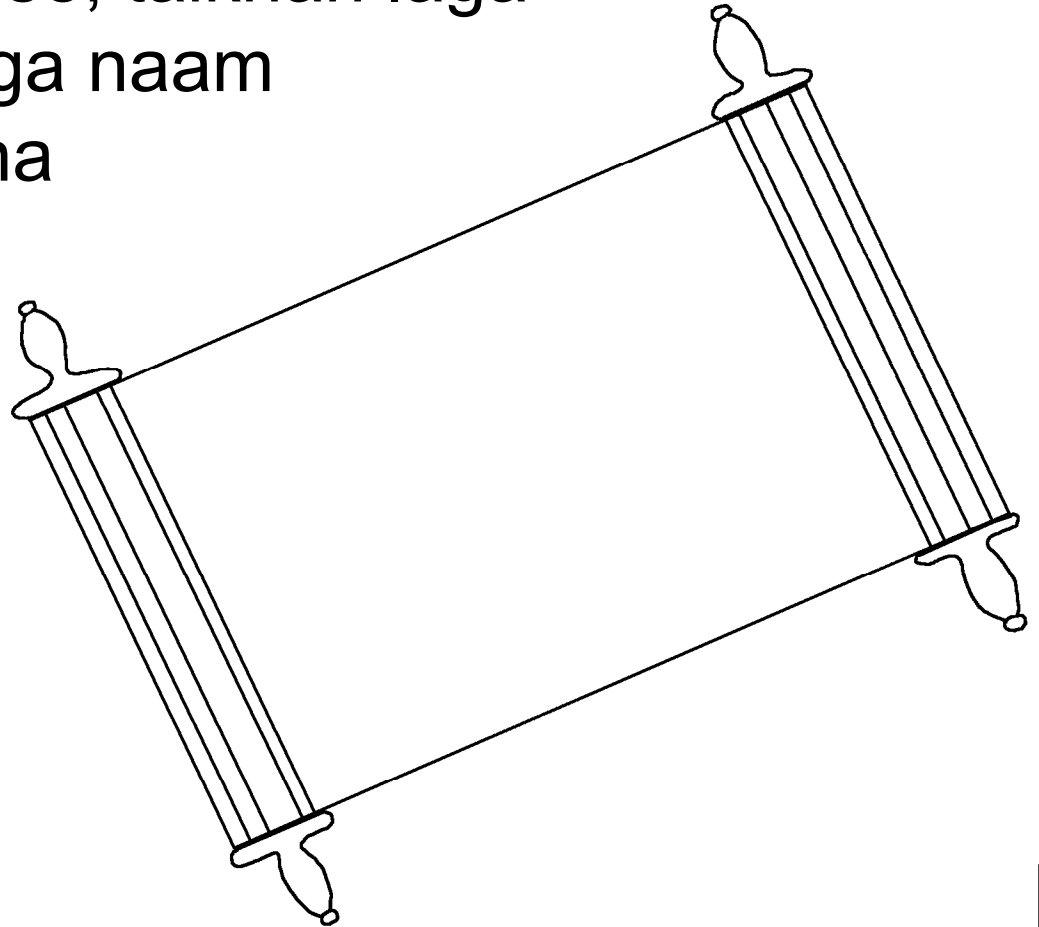
“Isor pora taikhan laga suku
pani mussi dibo, aru ta te
mora nathakibo, aru mon
dukh, kanda, aru bikha khan
eku nathaki jabo. Eitu khan
aru kitia bhi nahobo
kelemanee age laga
sob to harai jabo.”



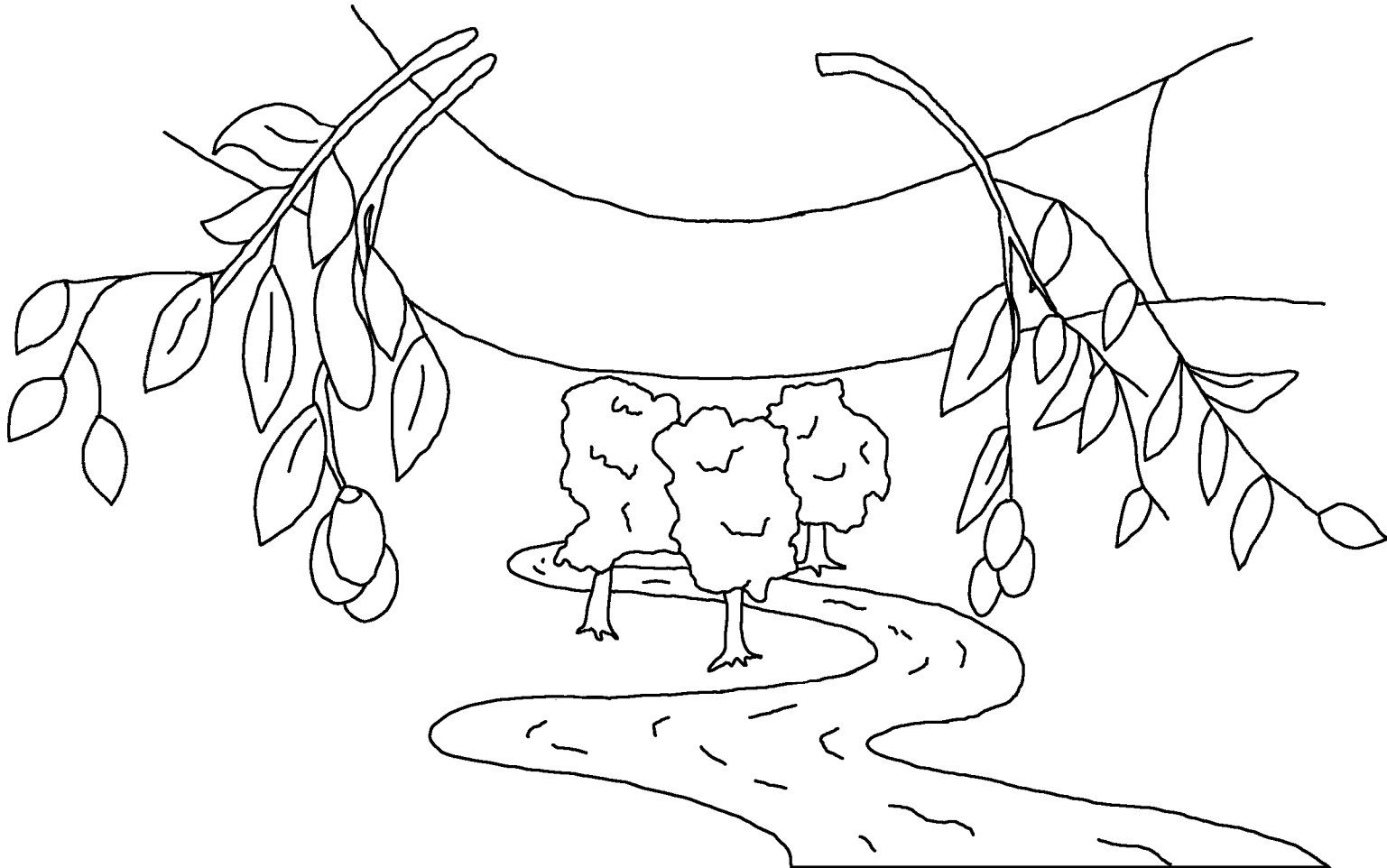
Aru ta te eku biya paapkhan nai. Isor aru Mer bacha laga singhason etu sheher te thakibo, aru tai laga noukar khan taikhe sewa koribo. Taikhan pora Isor laga chehera dikhibo, aru Tai laga naam taikhan laga matha age te likhibo.



Aru titia moi mora khan ke dikhise- chutu aru dangor- singhason usorte khara kori thakise, aru kitab khan khuli jaise. Titia aru dusra kitab ekta khuli se, kun to Jibon laga Kitab ase. Mora khan ke kitab te ki likha ase etu pora bisar korise, taikhan laga kaam hisab te. Kun laga naam Jibon laga Kitab te likha nai, taike jui laga nodi te phelai dise.



Pobitro Atma aru shadi kori bole thaka mahila pora koi,
“Ahibi!” Etu nimate kun huni ase, “Ahibi!” Kun pyaas lagi
ase, taike ahibole dibi kun itcha kori ase, tai khushi
pora etu jibon laga pani lobele dibi.



Keleman e Isor duniya ke eneka
morom korise, Tai nijor laga ekjon he
thaka Putro ke di dise, tinehoile jun
Taike biswas koribo, khotom
nahobo, kintu anondo
jibon pabo.



Romans 3:23

Kilekoile sob manu paap korise aru Isor laga mohima
napuncha hoi jaise,

Romans 6:23

Kelemanee paap laga daam to mrityu ase, kintu Isor pora
diya inam to hoile Probhu Jisu Khrista te anonto jibon ase.

Hebrews 9:27

Jineka manu bhi ekbar mori bole lage, aru etu pichete bisar
kora laga homoi ahibo,



Ephesians 2:8,9

Kile mane biswas dwara Isor laga anugrah pora apnikhan poritran paise, aru etu to apuni pora aha nohoi, kintu Isor laga bordan ase, nijor laga kaam khan pora nohoi, kelemane kun bhi phutani nahobo nimate.

Romans 10:9,10

Kelemane, jodi apuni laga mukh pora Jisu ke Probhu eneka shikar korile, aru apuni laga monte Isor pora Tai mora pora jinda uthai dise eneka biswas korile, titia hoile apuni poritran pabo. Kelemane monte biswas kora pora ekjon dharmik hoijai, aru mukh pora shikar korile poritran pai loi.



John 3:16,17

Kelemanee Isor duniya ke eneka morom korise, Tai nijor laga ekjon he thaka Putro ke di dise, tinehoile jun Taike biswas koribo, khotom nahobo, kintu anondo jibon pabo. Kelemanee Isor duniya ke khotom kori bole nijor Putro ke patha nohoi, kintu etu karone ase, Tai karone he duniya bachibole.

First John 5:11-13

Etu gawahi ase: Isor amikhan ke anonto jibon dise, aru etu jibon Tai laga Putro Jisu logote ase. Kun manu logote Jisu ase tai jibon paise. Kintu kun manu logote Isor laga Putro Jisu nai tai jibon panai. Moi tumikhan ke etu kotha khan likhi ase etu pora tumikhan anonto jibon ase koi kene janibo- tumikhan kun Isor laga Putro Jisu Khrista laga naam te biswas kore.



John 14; 2 Corinthians 5; Revelation 4, 21, 22

Storyline by: Edward D. Hughes

Illustrated by: Lazarus,
and Alastair Paterson

Adapted by: Sarah S.

Naga Pidgin NT (nag) NAG-ISV Creative Commons
License Indian Standard Version (ISV) - Nagamese
(Indian Standard Version (ISV) - Nagamese),
2019 by Bridge Connectivity Solutions Pvt. Ltd.

<https://www.bible.com/bible/3335/MAT.1.ISVNAG>

©2026 Bible for Children, Inc.

www.M1914.org

www.bibleforchildren.org

