

www.BibleForChildren.org



Yoohani 14



Po uYeesu akeendelela ukubhamanyisha abhamanyili bhaake akati, “Manye mulabhaghe mu ndumbula shiinyu. Mwitikaghe uChaala, soona nyitikaghe nuune. Mu nyumba iya Taata muli nu bhwikalo ubhwingi. Linga shitaali ulwo, ngali imbabhuulite.”

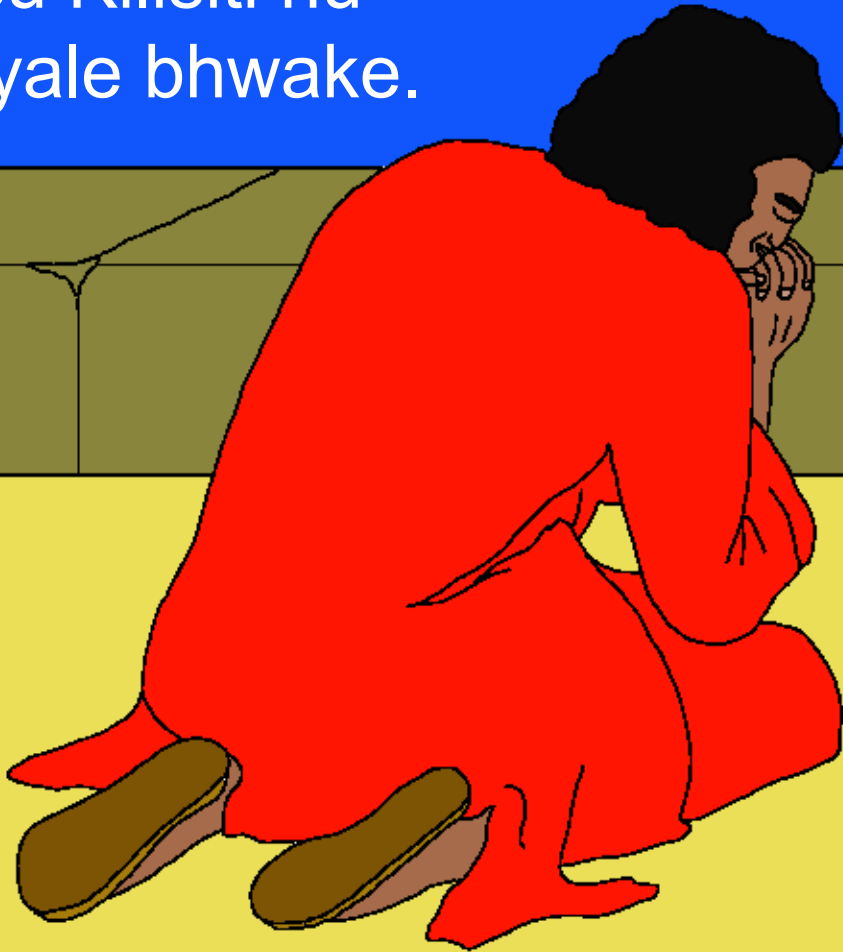


“Ulu ingubhuuka pakubhatendekeshekesha ubhwikalo.
Linga naaya naabhatendekeshekesha ubhwikalo,
indiingiise soona pakubheegha ukuti pabhuyo
paapo indiingabhe, nuumwe indimukabhe pala
pala pamupeene nuune.”



Mwe bhiitiki bhanyiitu, une nee Yoohani umukongi
umunyiinyu, nee indi pamupeene nuumwe
pakukibha nu kutaamighwa ku nongwa

iya Yeesu Kilisiti nu
bhunyafyale bhwake.



Ingapinyighwa mu nyumba iya bhapinyighwa mu
lusungo luulwo bhakuti Paatimo ku nongwa
iya kulumbilila ishu ilya Chaala nu

kushimikisha inongwa
iya Yeesu.



Nakalinga, uMbepo uMwelu akaandangisha injoshi,
ingachibhona ichitengu icha bhunyafyale kumwanya
ukwo, chiicho yumo iikiile pamwanya yaake.



Po ingapulika ifipelighwa fyoshi kumwanya ukwo, pa
chiisu, ku bhushuuka na mu nyanja, fikwimba
pamupeene fikuti, “Umwene yuuyo
iikiile pa chitengu icha bhunyafyale
na Konang’ooshi,
bhapaalighwange,
bhaghindikighwange,
bhapokeelaghe
ubhukulumba
na maka
bhwila na
bhwila!”



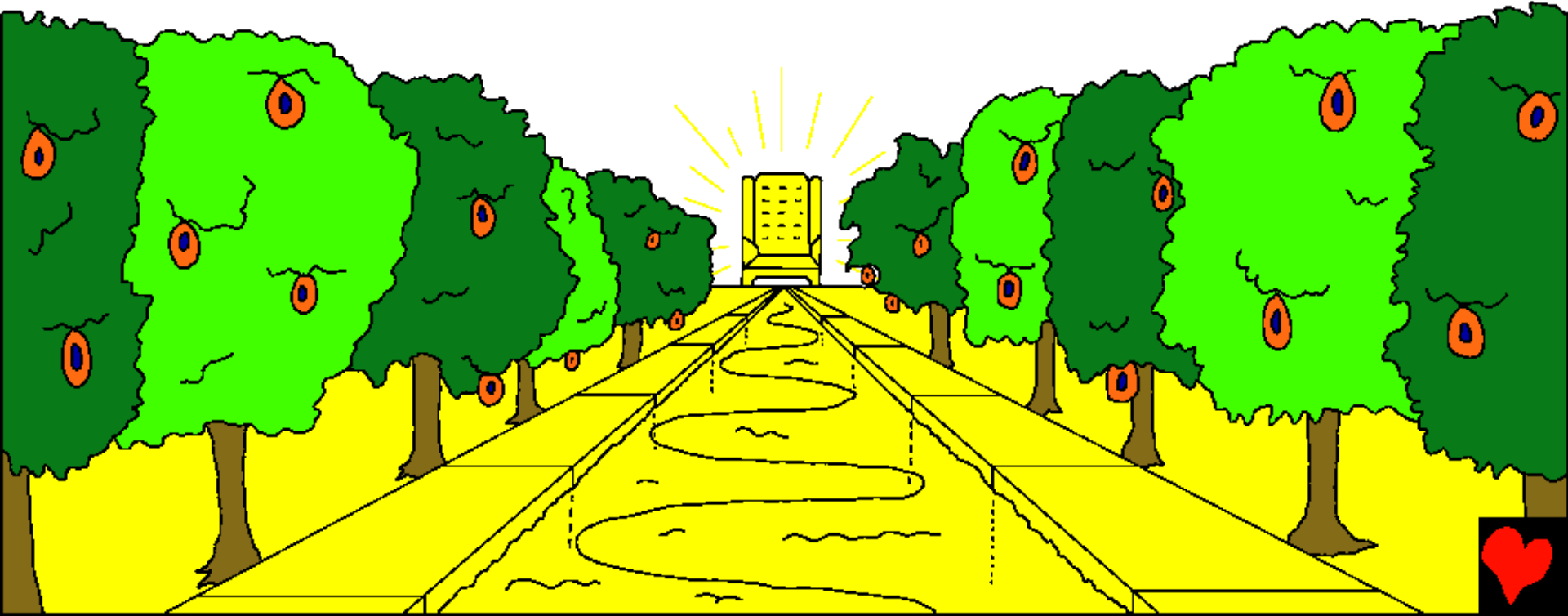
Ingakabhona akaaya akeelu kaako Yelusaleemu imbya kakwilomuka ukufuma kumwanya kwa Chaala. Akaaya ako kakabha katendekeshiighwe akiisa ungati mukolo yuuyo akuya pakweghighwa ku mulume ghwake.



Ingapulika ishuru ilya pamwanya ukufuma pa chitengu icha bhunyafyale likuti, “Teshu! Ubhwikalo ubhwa Chaala bhuli pamupeene na bhandu. Indiakiikale pamupeene na bhandu, indibhakabhe bhandu bhaake, ghwepe indiakabhe ghwi Chaala ghwabho.”



Po ughwandumi akaandangisha ulusooko ulwa miishi
agha bhwumi ghaagho ghakung'ang'a ungati libhanelo,
ghakufuma pa chitengu icha bhunyafyale icha Chaala
na Konang'ooshi.



Soona, akaaya ako katakulonda isubha pamu umweshi
ughwa kukabhalisha, paapo ubhukulumba ubhwa
Chaala bhukukabhalisha, soona aKonang'ooshi ko
kaako nyaale iya kaaya ako.



Loole mu kaaya ako, chitaachikiingile naalumo chiicho chinyali, pamu ataaakiingile naalumo umundu ghweshi yuuyo akubhomba imbombo isha kukalalisha pamu isha bhummyashi. Loole abhandu bhaabho indibhakiingile mu kaaya bho bhala bhaabho ingamu shaabho shisimbiighwe mwa kalata ughwa bhwumi ughwa Konang'ooshi.

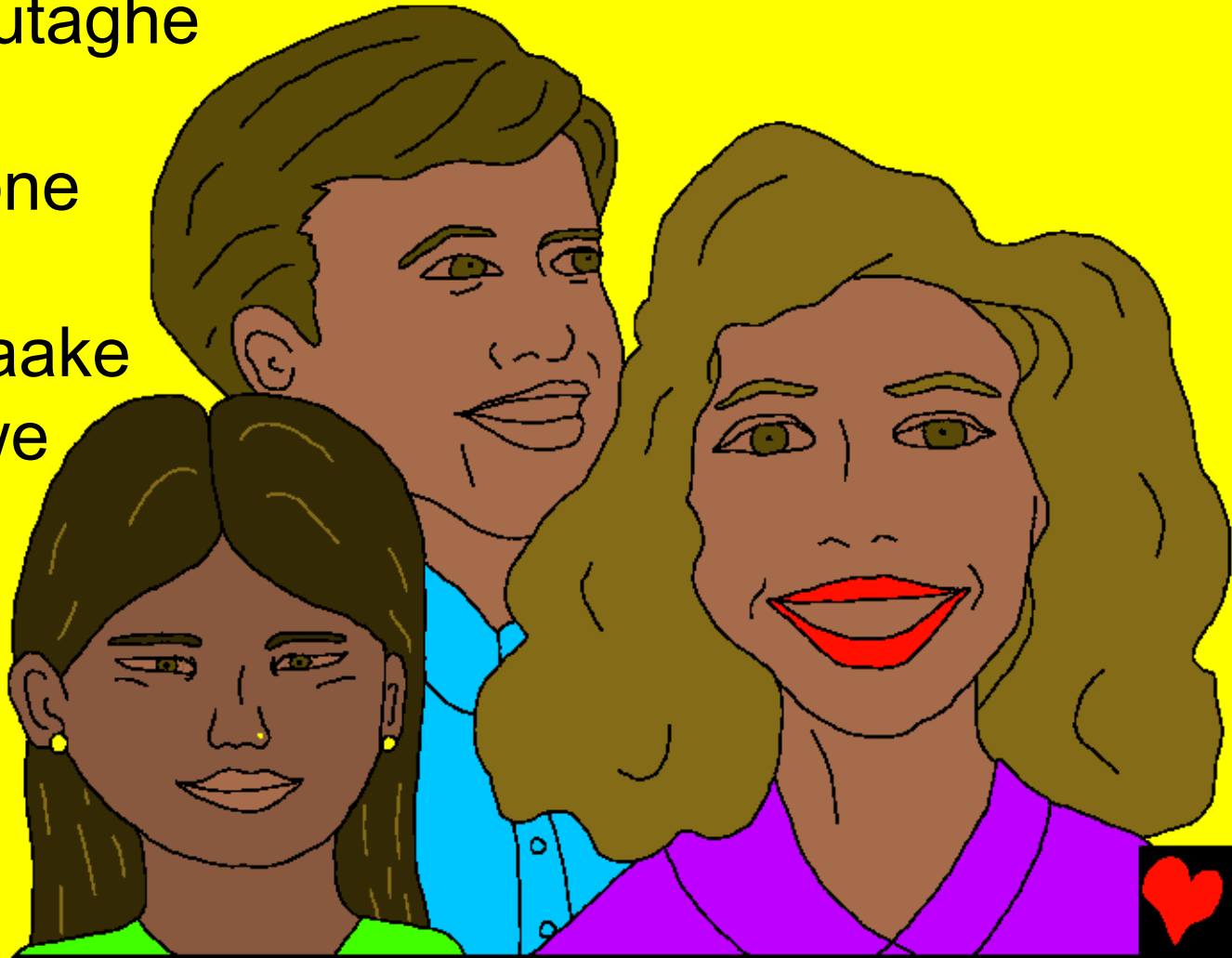


“Indiakabhapuupule amaashooshi
ghaabho ghooshi. Kutaakukabheepo
soona ukufwa, ukuswimana, ichililo
pamu ubhubhafu, paapo imbombo
isha kubhwandilo indishikabhe
shaakinda.”

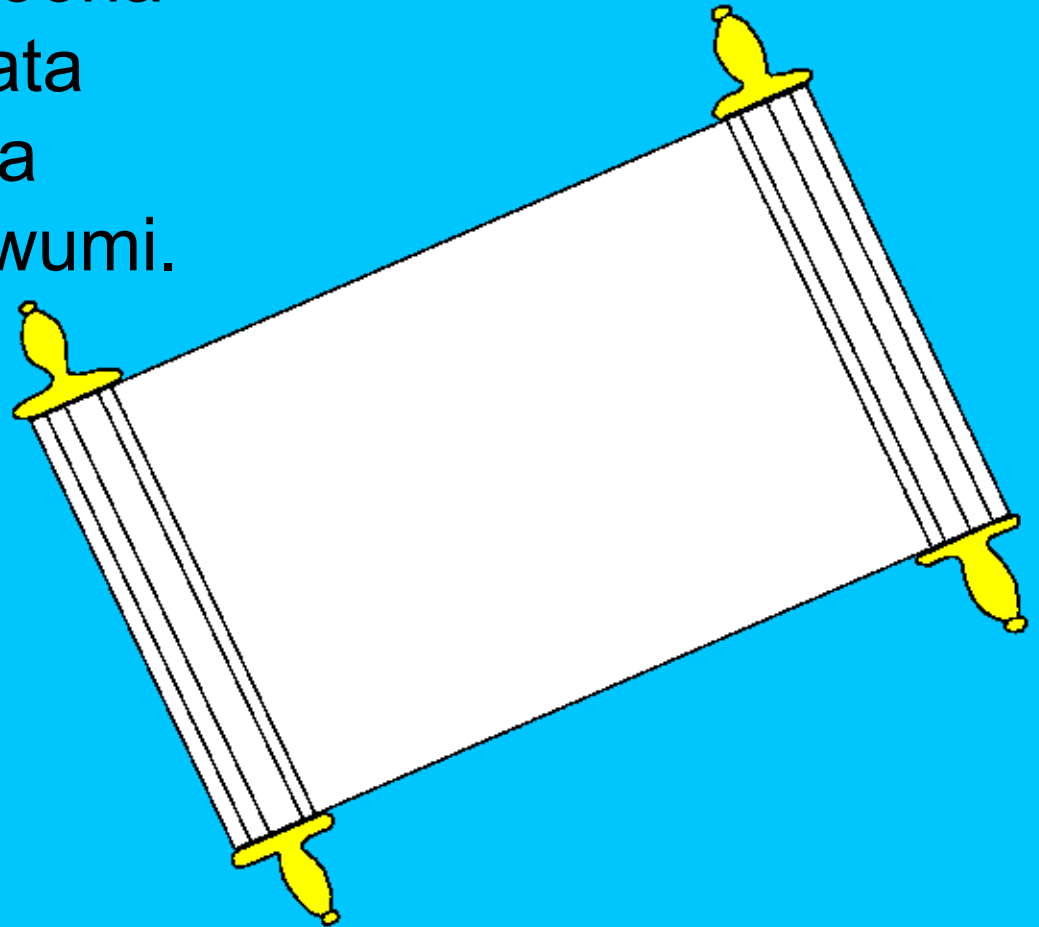


Mu kaaya ako kataakakabheepo akandu naakamu
kaako uChaala akaghunite. Ichitengu icha bhunyafyale
icha Chaala na Konang'ooshi indichikabhe mu kaaya
ako, bhoope abhabhombi bhaake
indibhakamwipuutaghe
uChaala.

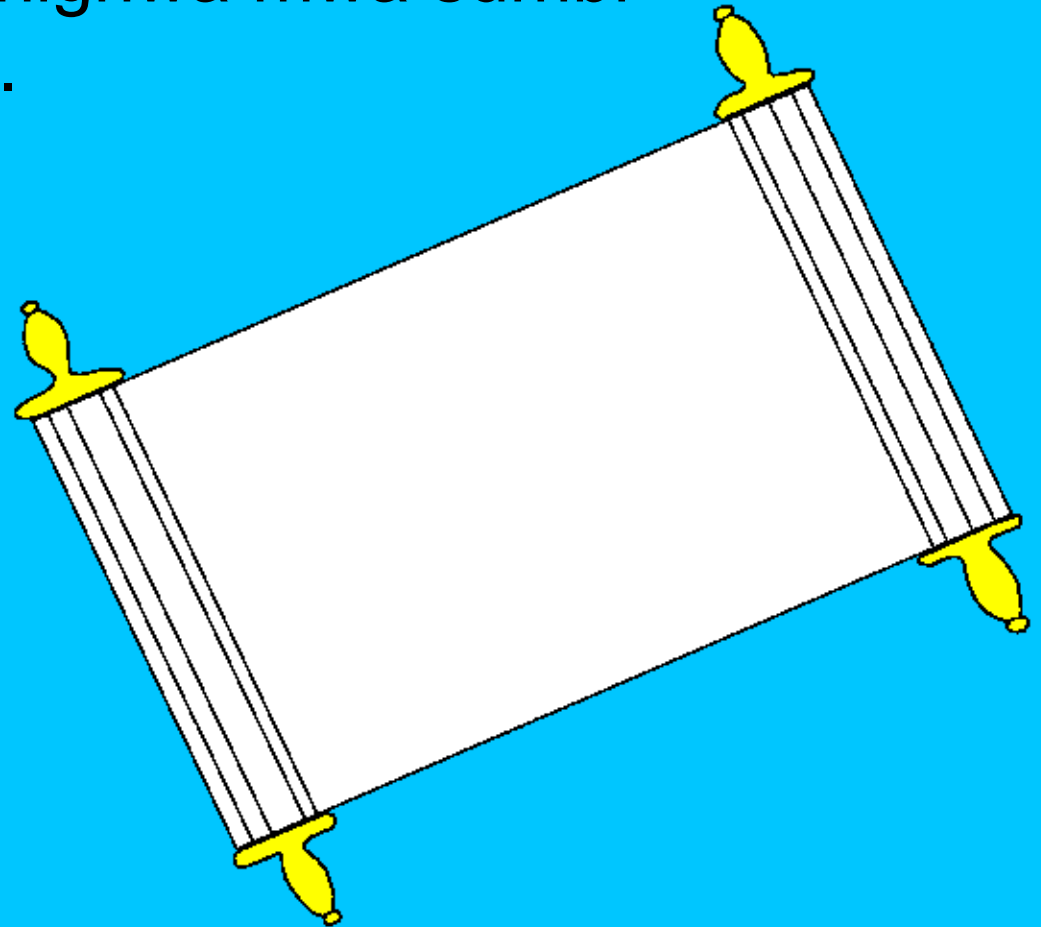
Indibhakamubhone
icheeni chaake,
soona ingamu yaake
indiyikasimbighwe
pa fyeni fyabho.



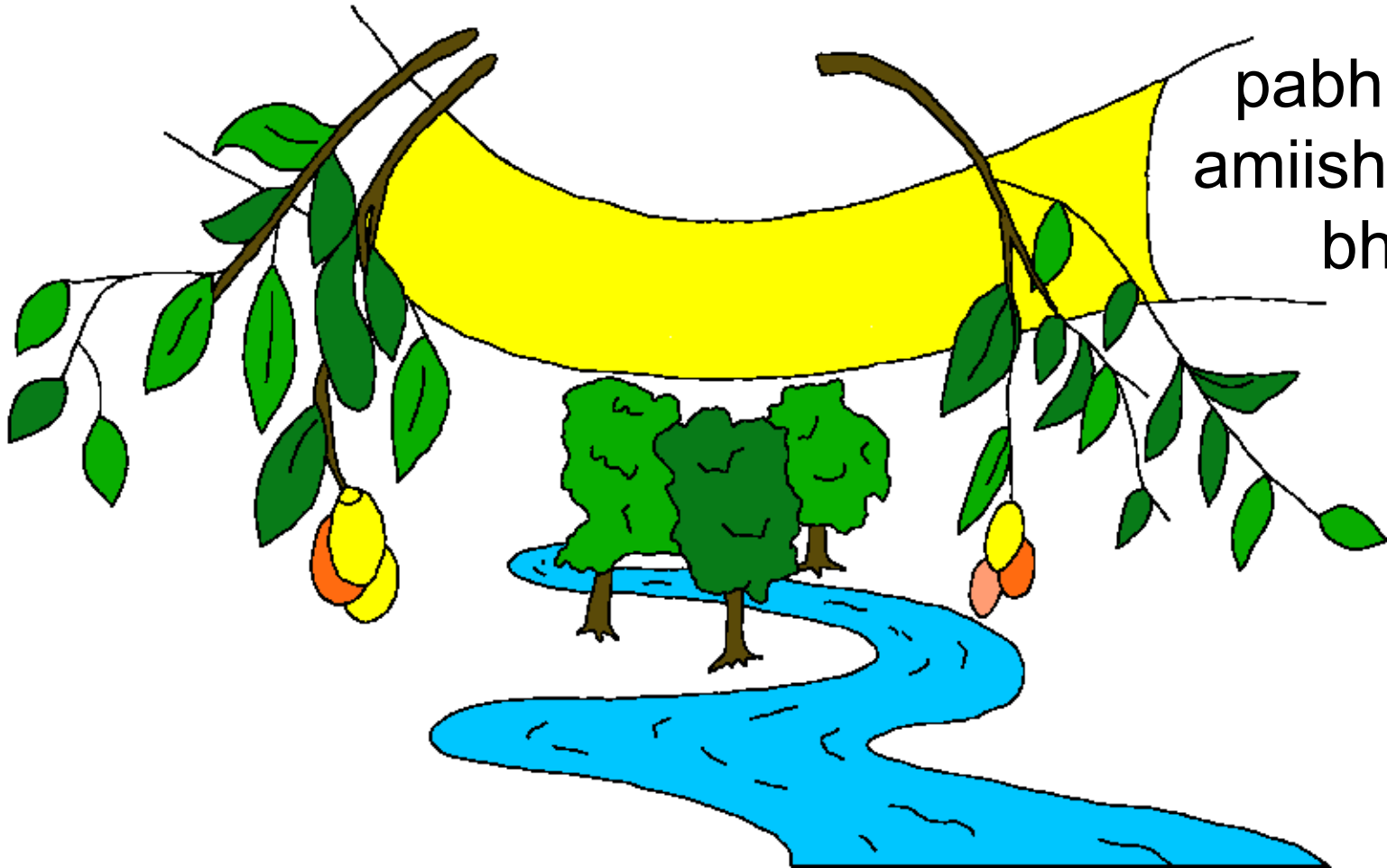
Ingabhabhona abhafwe bhooshi, abhosongo na bhakeke bhiimite pandaashi pa chitengu icha bhunyafyale chila. Po abhokalata bhaabho bhakasimbighwa imbombo isha bhandu bhooshi bhakabhaalulighwa. Soona akabhaalulighwa ukalata umunine yuuyo akabha ghwi kalata ughwa bhwumi.



Abhafwe abho bhakalongighwa ukukongana ni mbombo shaabho shiisho shikasimbighwa mu bhokalata bhala. Po umundu ghweshi yuuyo ingamu yaake yitakasimbighwa mwa kalata ughwa bhwumi yula, ghwepe akataaghighwa mwa sumbi yuuyo akwaka umulilo.



UMbepo uMwelu na yuuyo akweghighwa na
Konang'ooshi bhakumubhuula uYeesu bhakuti,
“Isagha!” Na bhandu bhooshi bhaabho indibhapulike
inongwa ishi bhayughe ukuti, “Isagha!” Ghweshi yuuyo
ali ni nyoota, yuuyo akulonda amiishi, iise ang'we



pabhuubhu
amiishi agha
bhwumi.



UChaala akabhaghana abhandu
abha mu chiisu ichi, yo yiiyo nongwa iyi
akamufumya uMwana ghwake yuuyo ali
mwene, ukuti umundu ghweshi yuuyo
akumwitika manye asobhaghe,
loole abhwaghe ubhwumi
ubhwa bhwila na
bhwila.



Bhalooma 3:23 Paapo abhandu bhooshi bhabhombite imbiibhi nu kubha kubhutali nu bhukulumba ubhwa Chaala.

Bhalooma 6:23 Paapo umufwalo ughwa mundu yuuyo akubhomba imbiibhi, bhufwe, loole ulusekeelesho luulwo uChaala akalufumya pabhuubhu, bhwumi ubhwa bhwila na bhwila ukughendela kwa Malafyale ghwitu uKilisiti uYeesu.

Bhahibhuli 9:27 Isa muumwo ghweshi umundu akufwa limolyeneeshe, bhwo aafwa, uChaala akumulonga,

Bhaefesi 2:8,9 Paapo uChaala abhapokite ku chisa chaake ku sila iya kumwitika uKilisiti. Umwe mutapokiighwe ku nongwa iya kubhomba inyiisa shimo, loole lusekeelesho ukufuma kwa Chaala. Ku nongwa iya kuti mutapokiighwe ku sila iya kubhomba inyiisa, po manye abheepo umundu ughwa kwifuna.



Bhalooma 10:9,10 Po linga kuyugha pandaashi pa bhandu ukuti, “UYeesu ghwi Malafyale,” nu kwitika mu ndumbula yaako ukuti uChaala akamushuusha, po uChaala indiakupoke. Paapo linga umundu akwitika mu ndumbula yaake, uChaala akumubhelengela ukubha ghwanalooli. Soona, umundu yula yuuyo akuyugha pandaashi pa bhandu ukuti uYeesu ghwi Malafyale, uChaala indiamupoke.

Yoochani 3:16,17 UChaala akabhaghana abhandu abha mu chiisu ichi, yo yiiyo nongwa iyi akamufumya uMwana ghwake yuuyo ali mwene, ukuti umundu ghweshi yuuyo akumwitika manye asobhaghe, loole abhwaghe ubhwumi ubhwa bhwila na bhwila. UChaala atakamutuma uMwana ghwake pakubhalonga abhandu abha mu chiisu ichi, loole akamutuma pakubhapoka.



1 Yoohani 5:11-13 Ubhukeeti ubhwo bhwo ubhu, uChaala atupiile ubhwumi ubhwa bhwila na bhwila ukughendela ku Mwana ghwake. Umundu ghweshi yuuyo akumwitika uMwana ughwa Chaala, ali nu bhwumi ubhwo. Loole umundu yuuyo atakumwitika, atali nu bhwumi ubhwo. Ingubhasimbila isho umwe mwe mukumwitika uMwana ughwa Chaala ukuti mumanye ukuti muli nu bhwumi ubhwa bhwila na bhwila.



Yoohani 14; 2 Bhakolinti 5; Bhusetuli 4, 21, 22

Storyline by: Edward D. Hughes

Illustrated by: Lazarus
and Alastair Paterson

Adapted by: Sarah S.

Ndali NT (ndh) © 2020, Wycliffe Bible Translators, Inc. All
rights reserved.

<https://www.bible.com/en-GB/bible/2523/MAT.1>

©2025 Bible for Children, Inc.

www.M1914.org

www.bibleforchildren.org

