

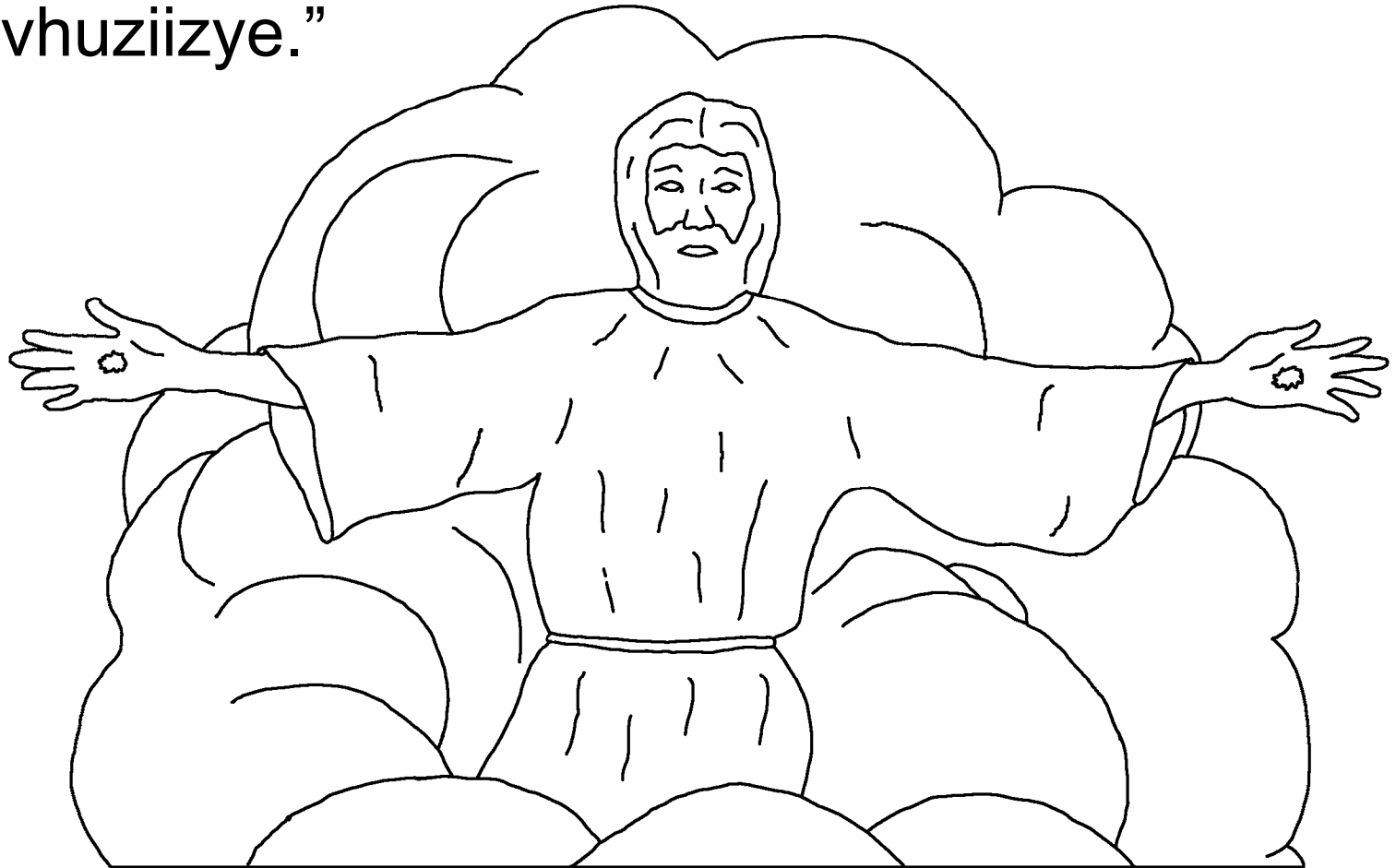
www.BibleForChildren.org



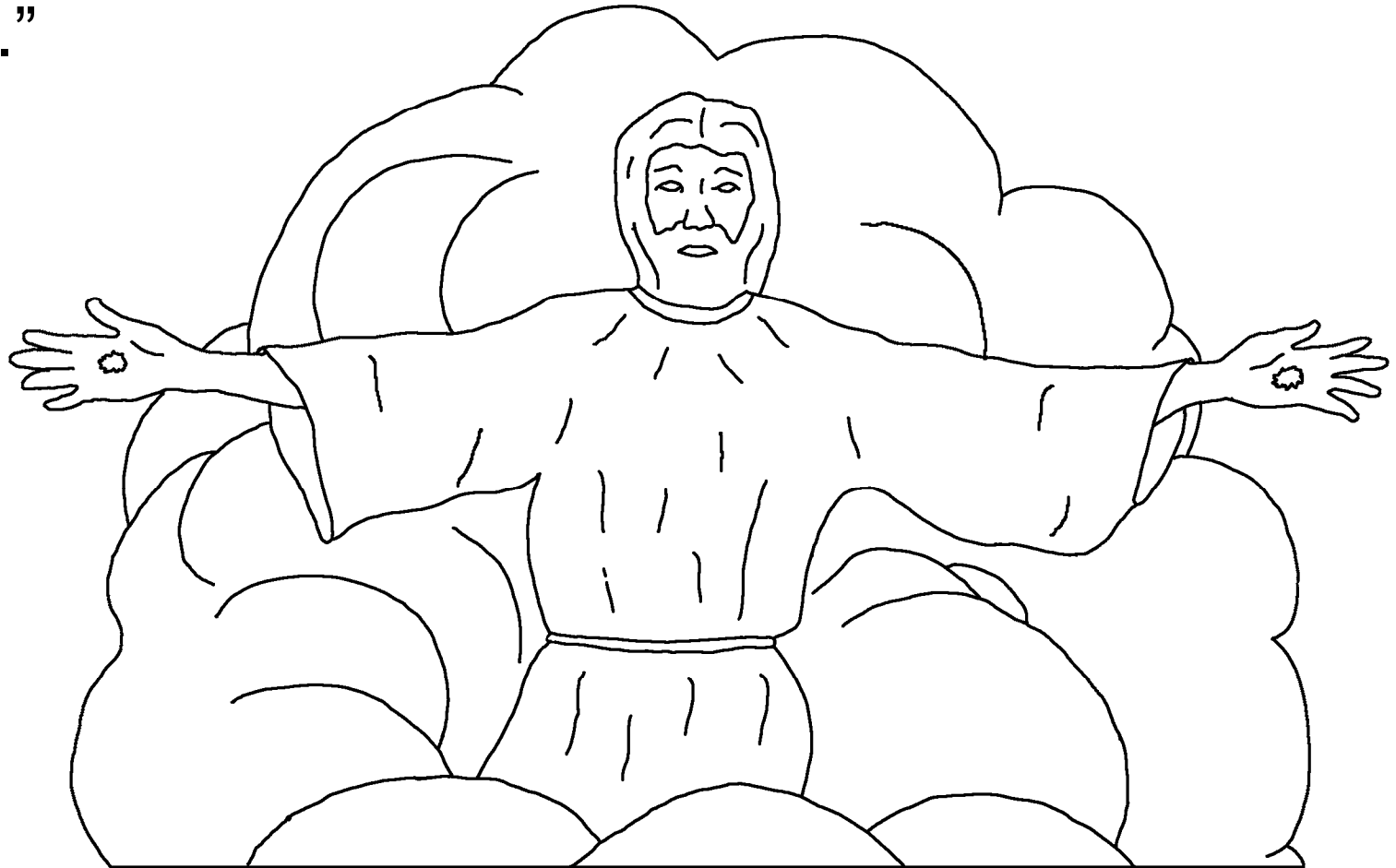
uYoohani 14



Pe uYeesu ahajendeelela kuvhavhuuzya avhasundikwa vhaakwe kuuti, “Mutaswimililwaje mu mooyo giinyu. Mumumwiti haje uMulungu, munitihaje niine. Mu nyumba iya Taata waane muli uvhuzilo uvhupiti. Zitavhanje vhwevhulo, nkandi mbavhuziize.”

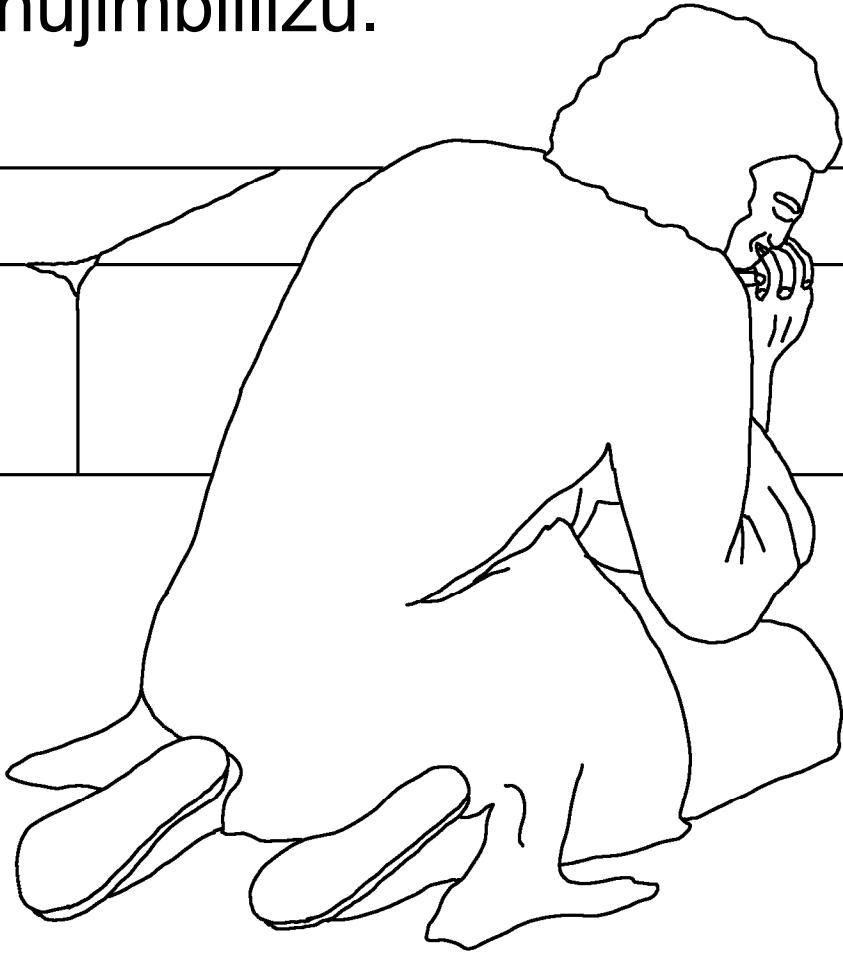


“Ishi nasogola kuvhasenganizyanya uvhuzilo. Zitavhanje vhwevhulo, nkandi mbavhuziize. Ishi nasogola kuvhasenganizyanya uvhuzilo. Lwe nasogola nu kuvhasenganizanya uvhuzilo, ndigaluha havhili kuvhanyatula, inga pe navha, niimwe muvhe pooka niine.”



Ine ne Yoohani, ne wamwinyu havhili ne indi
pooka niimwe, kuzya kumulandata uYeesu
Chilisiti mu mayimba na mu vhumwene

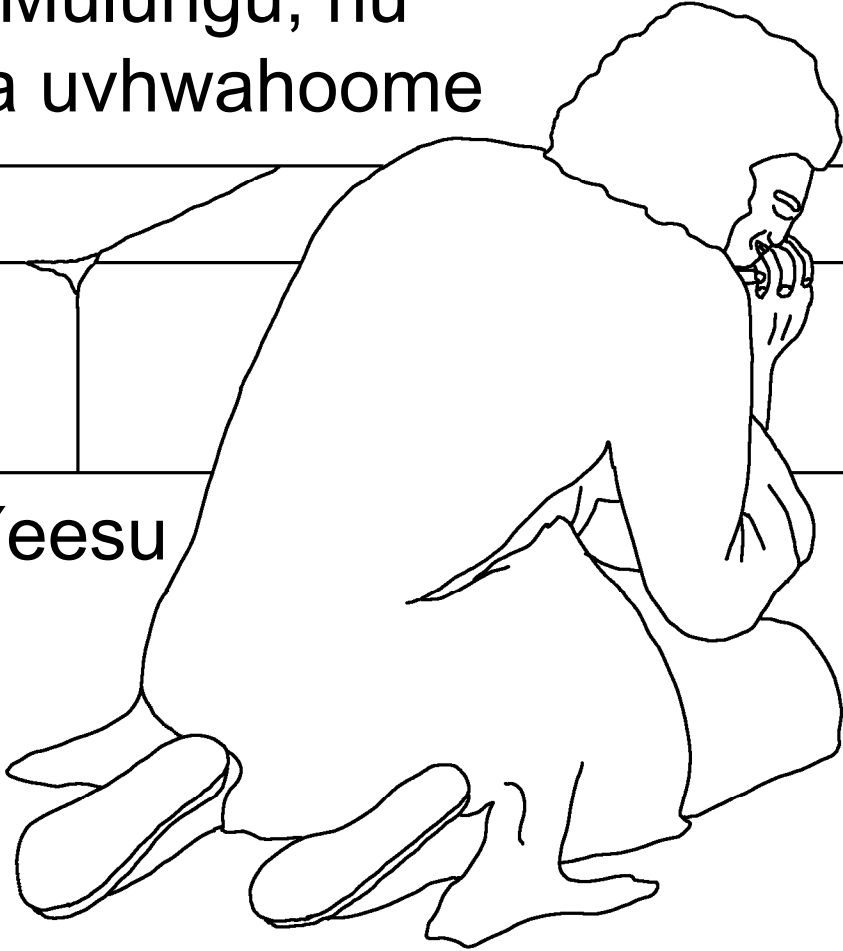
na mu vhujimbiilizu.



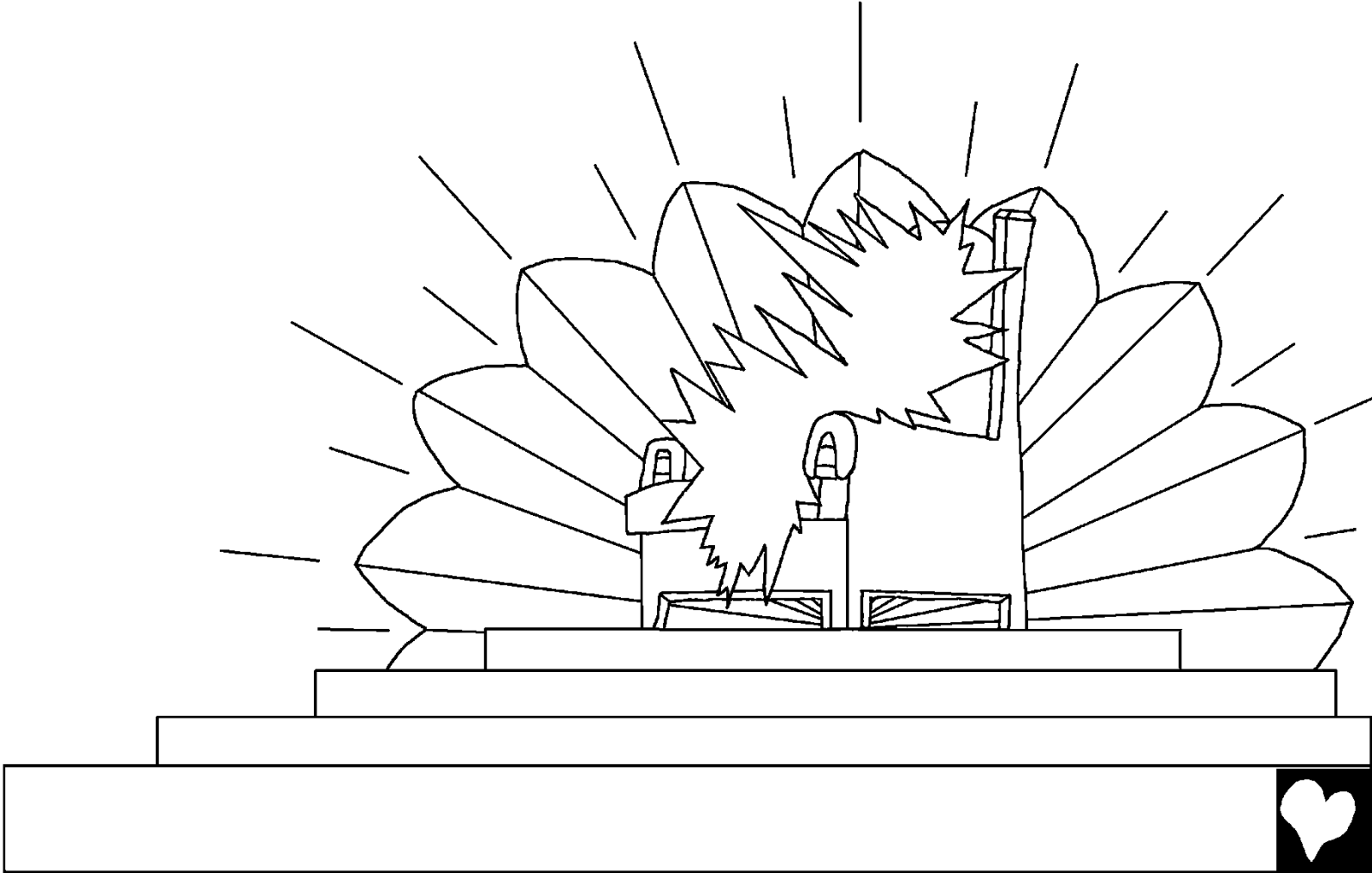
Nákunziilwe mu nsi inyuumu, ye vhakuti Paatimo
ye yáamile pahati pa sumbi, kuzya mayimba.
Amayimba igo gáfumiliine nu kulumbiilila

izwi ilya Mulungu, nu
kufumwa uvhwahome

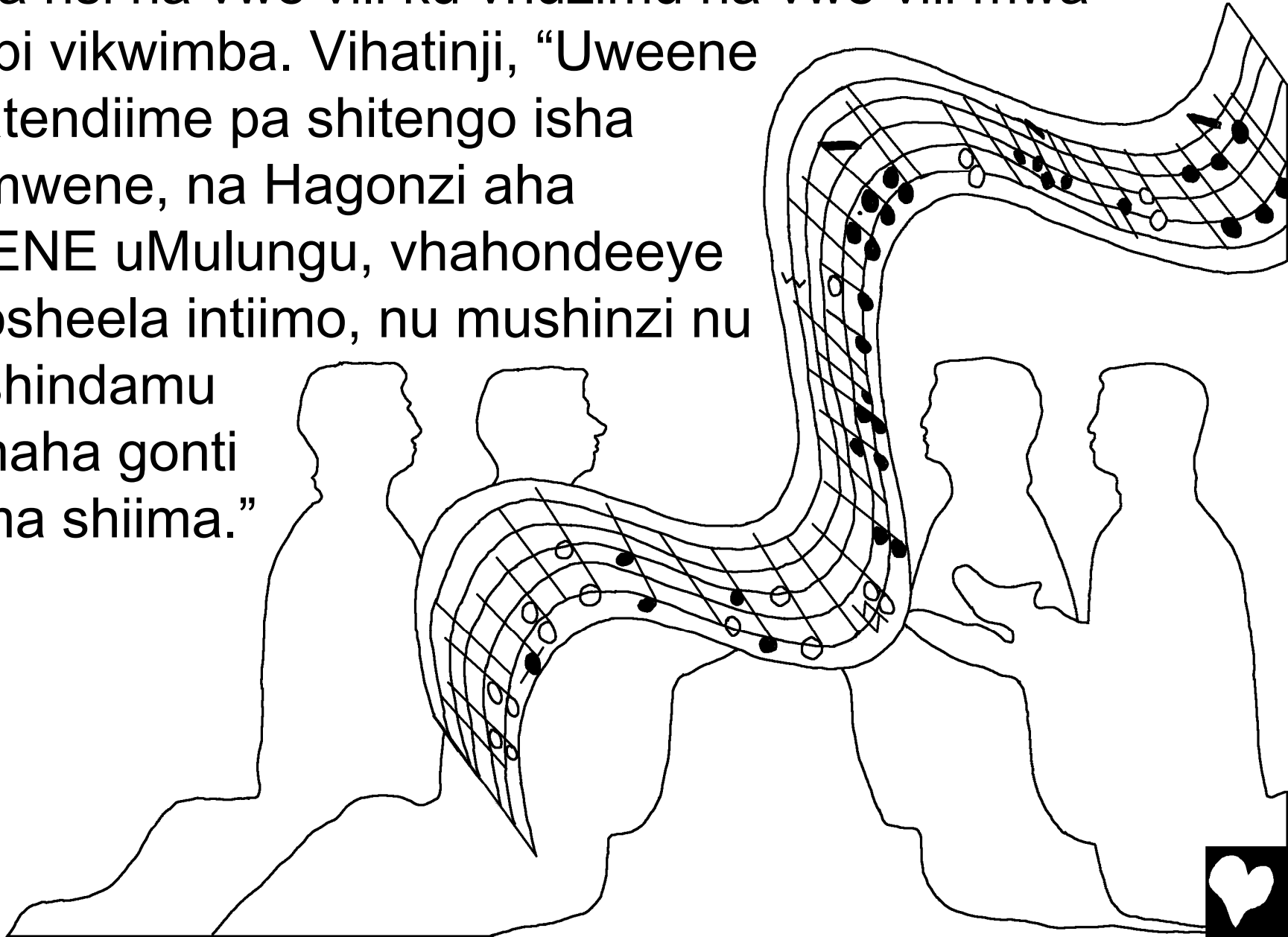
uvhwa Yeesu
Chilisiti.



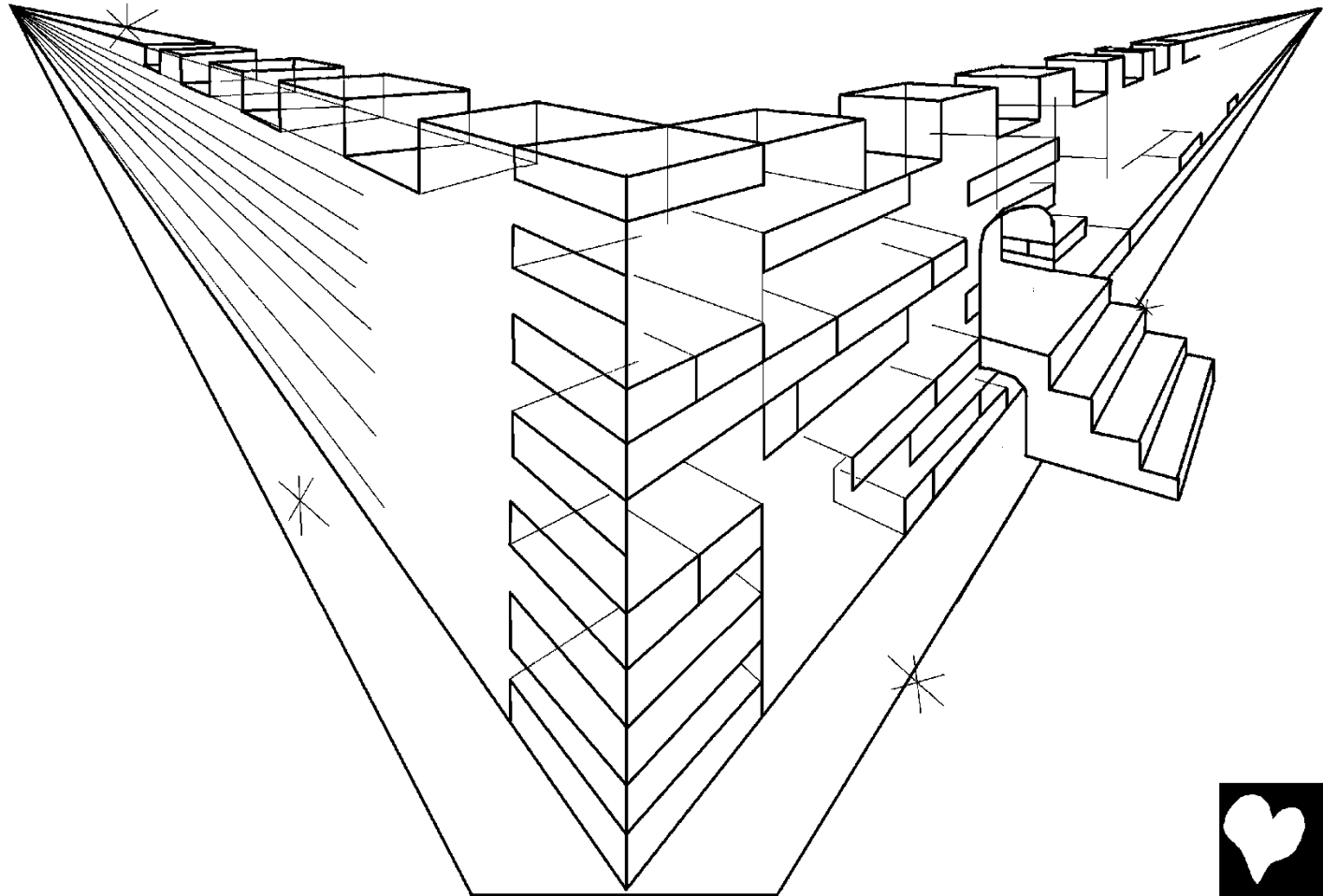
Naluvhiilo, uMupepo uMufinjile ahaniishila, nkalola ishitengo isha vhumwene shivhisiilwe ku mwanya she wumo atendamiye.



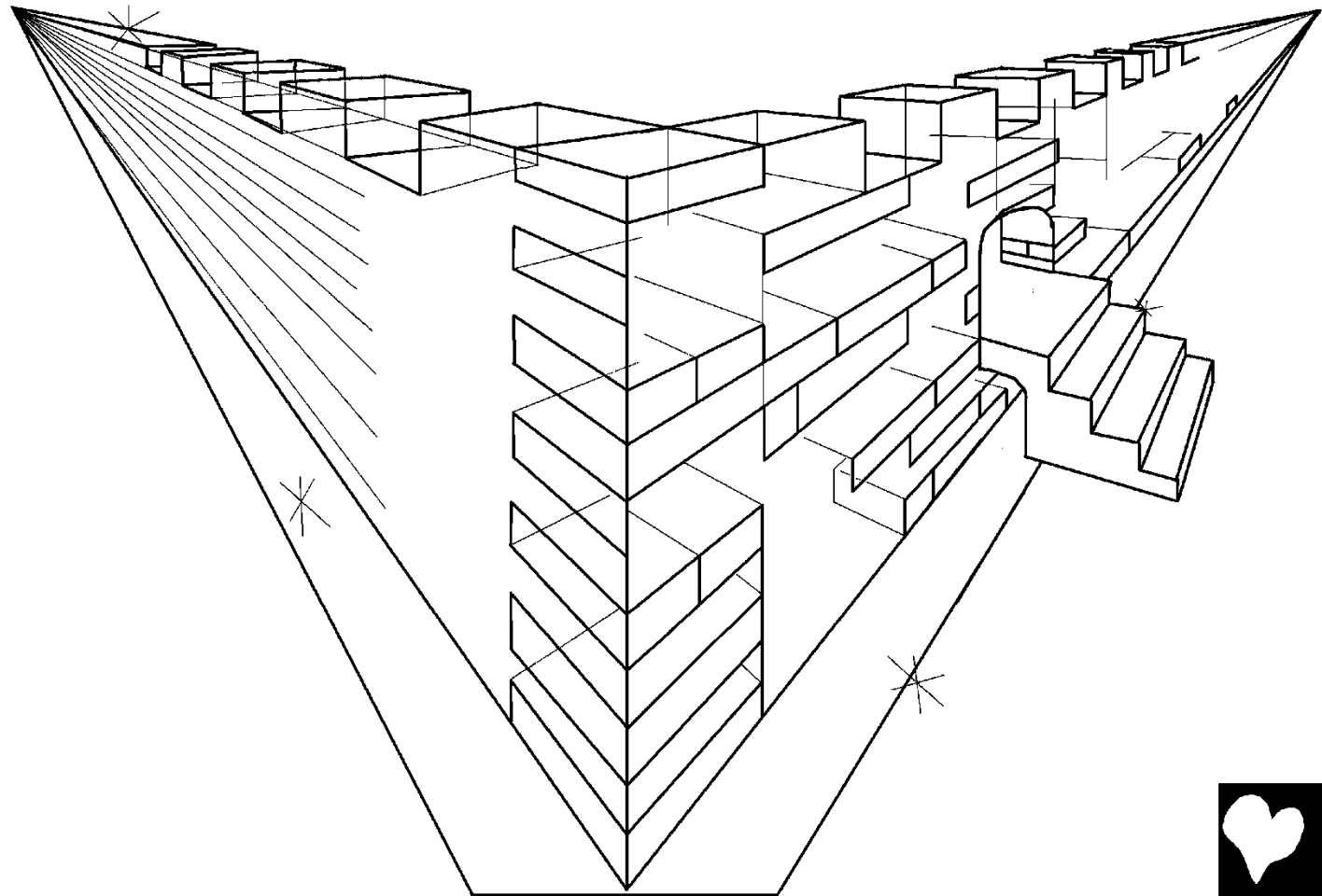
Pe nkiiwa ivipelwa vwonti vwe vili ku mwanya na vwe vili pa nsi na vwe vili ku vhuzimu na vwe vili mwa sumbi vikwimba. Vihatinji, “Uweene we atendiime pa shitengo isha vhumwene, na Hagonzi aha MWENE uMulungu, vhahondeeye kuposheela intiimo, nu mushinzi nu vhushindamu na maha gonti shiima shiima.”



Nkalola iNkaaya iMfinjile, iYelusaleemu impwa,
yikwiha kufuma ku mwanza kwa Mulungu. Inkaaya iyo
yáali ngati mwantanda we avhantu vhamuyemwizye
lwe akwimalwa.



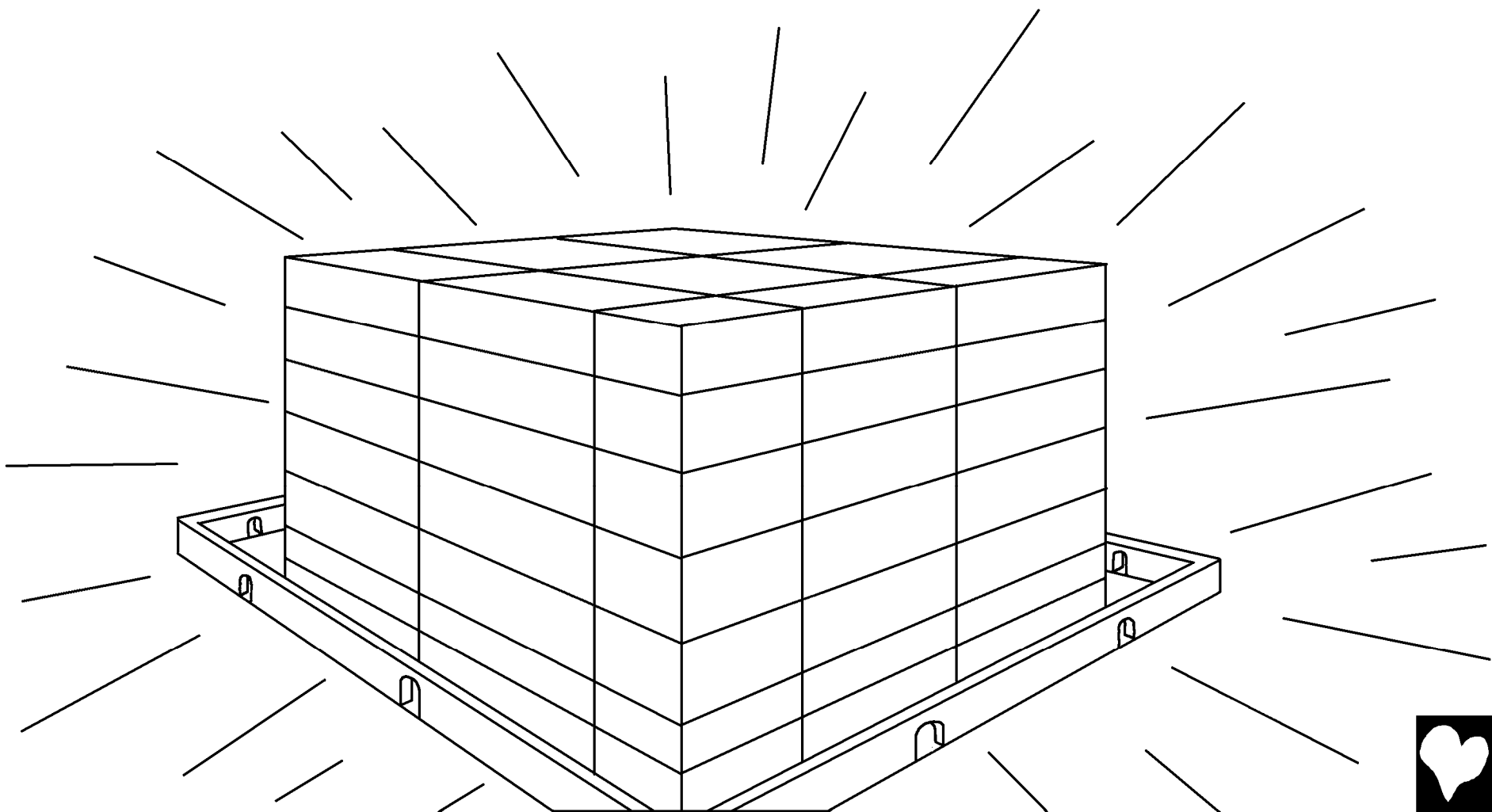
Pe nkiiwa izwi ipiti kufuma ku shitengo isha vhumwene lihati, “Yeenya uvhuyo uvhwa Mulungu pooka na vhantu! Alitendama pooka navho, vhoope vhaliivha vhantu vhaakwe, woope aliivha wu Mulungu waavho.”



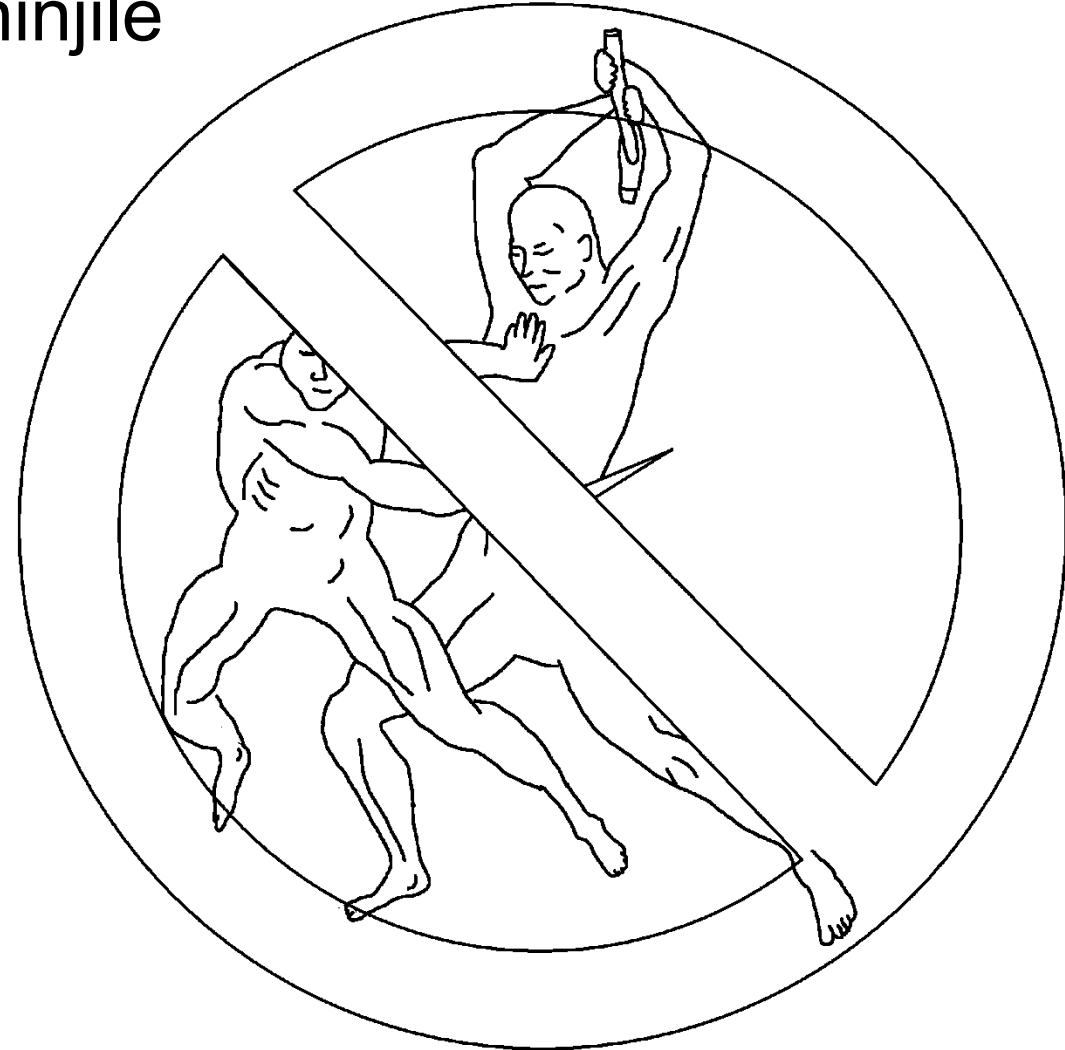
Pe uhavhizya ahandanga ijenje ilya minzi ge
gakufumwa uvhulanzi, amazulu ngati lilooli,
gahafumaga ku shitengo isha vhumwene isha
Mulungu na Hagonzi aha MWENE uMulungu.



Inkaaya iyo yitakwanza izuvha, poosye umwezi kuyilamila, mwe pe uvhushindamu uvhwa Mulungu vhukuyilamila ni nyaale yaakwe Hagonzi aha MWENE uMulungu.



Ileelo shonti she shihandamanu te shihinjile muumwo,
poosye umuntu wonti we akuvhomba izya kuviisya
poosye izya ilenga te ahinjile
muumwo. Vhevhaala
vhweleele vhe amazina
gaavho gasimviilwe
mwi ikalaata ilya
vhulanzi ilya Hagonzi
aha MWENE
uMulungu vhe
vhaliyinjila.



“Uweene alivhasyumula
amansozi gaavho gonti.
Uvhufwe te vhuhaavhe havhili,
poosye uvhuvhaavi, poosye
inkuuta, poosye kuloosya, mwe
pe izya hali zituusile!”

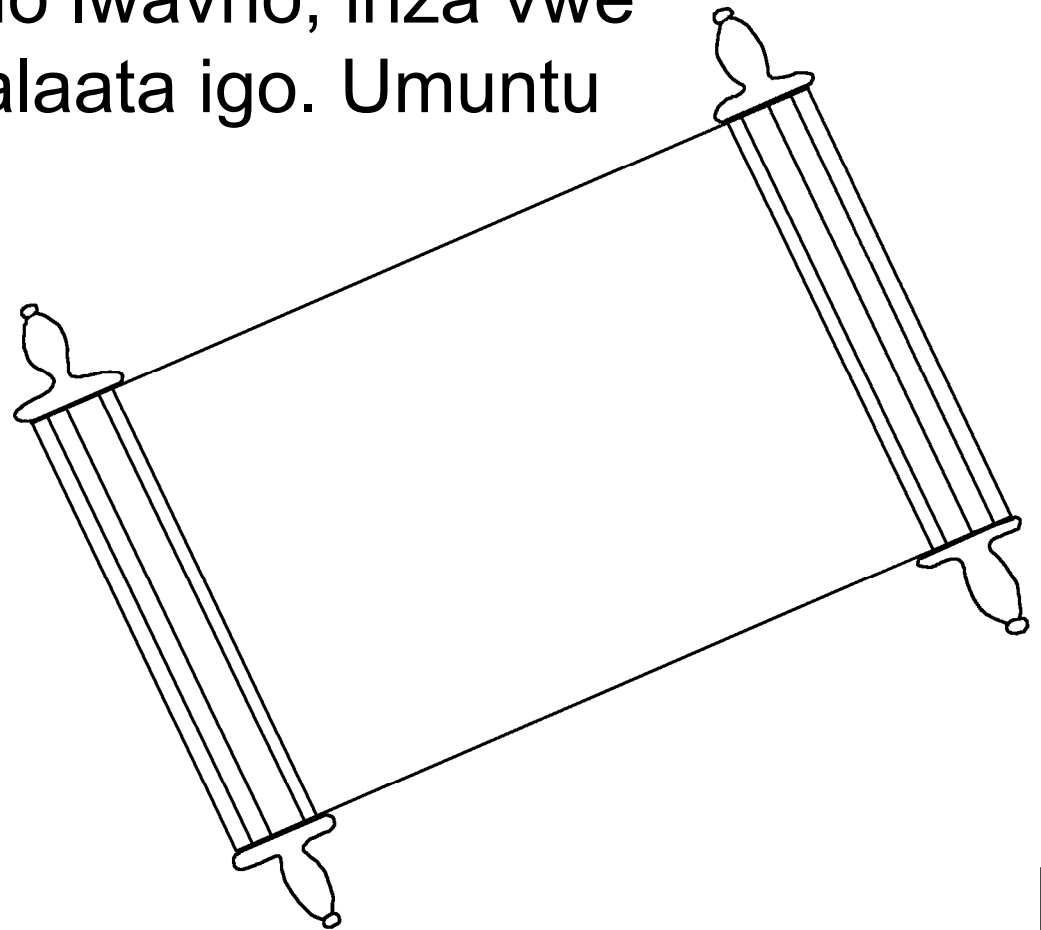


Shitaliipo ishintu naashimo she vhashitifile she shiliivha mu nkaaya iyo. Ishitengo isha vhumwene isha Mulungu ni sha Hagonzi aha MWENE uMulungu shiliivha mu nkaaya iyo na vhavhomvi avha Mulungu vhalimupuutaga.

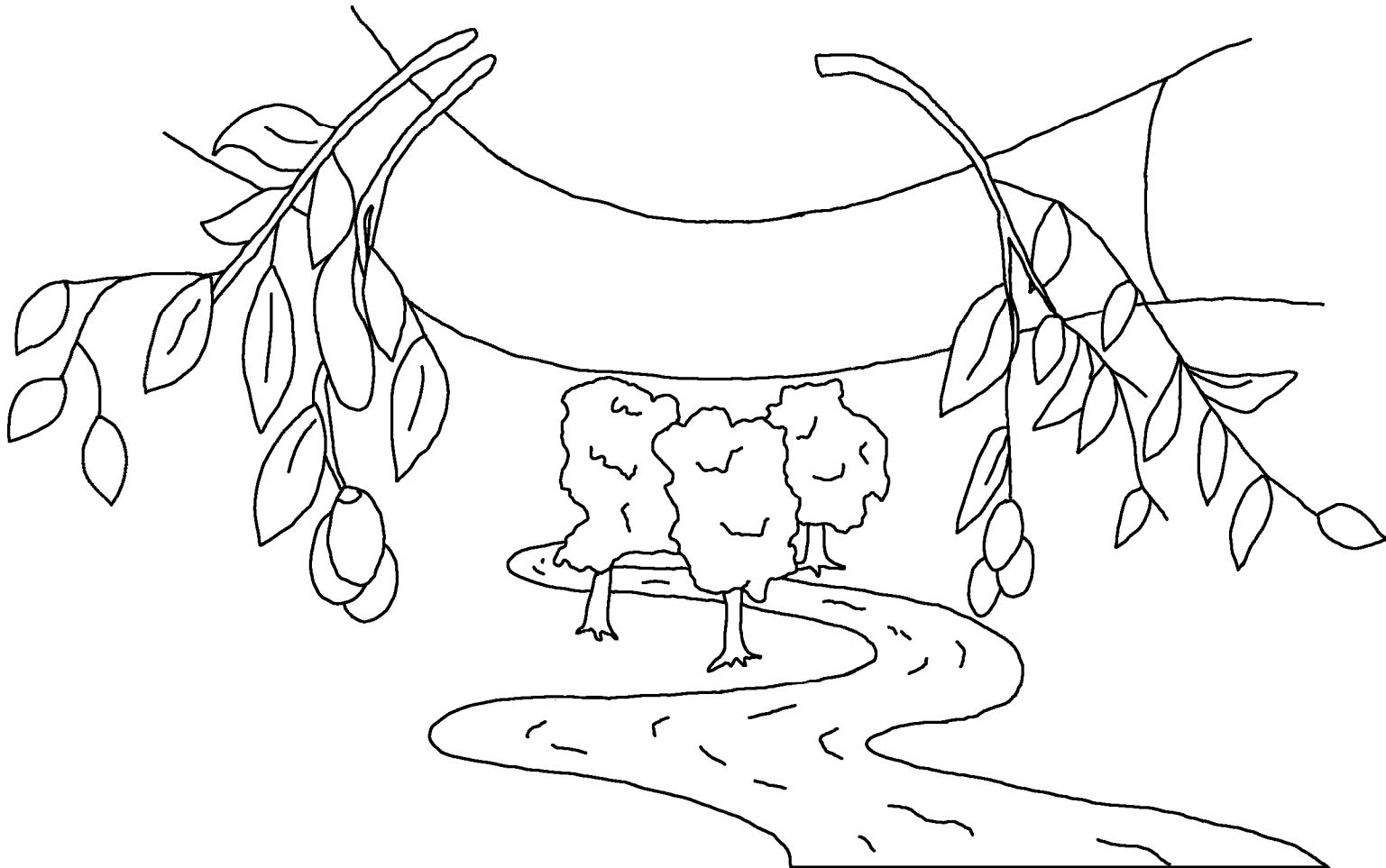
Vhalipalola pa minso gaakwe ni izina lyakwe lilisimbwa pa vweni vwavho.



Pe nkavhalola avhafwe, avhapiti na vhansi, vhimiliye pilingolela ilya shitengo isha vhumwene, amakalaata gahagubulwa. Havhili ikalaata ilyamwavho ilya vhulanzi lyope lihagubulwa. Pe uMulungu ahavhalonga avhafwe kulandatana nu lujendo lwavho, inza vwe lwásimviilwe mu makalaata igo. Umuntu wonti we izina lyakwe litálolesile mwi ikalaata ilya vhulanzi, ahasumbilwa mwa sumbi we akwaha umwoto.



UMupepo uMufinjile na we akunyatulwa vhakuti,
“Nzaaga!” Woope we akwivwa ati, “Nzaaga!” Woope
we ali ni shinyooto ayinze, we akwanza, anyatule
aminzi ge gakufumwa uvhulanzi pa vhweleele.



UMulungu ávhakunzite nkaani avhantu
avha mu nsi umu, ye nongwa
ánsonteleziize ne Mwana waakwe imozi,
kwinza mu nsi umu inga umuntu wonti we
akuniitiha atahateeje, nkandi avhwaje
uvhulanzi uvhwa shiima.



aVhaluumi 3:23

Yeenya, avhantu vhonti vhavhomvile uvhutalamalandu, nu kusheepelwa uvhushindamu uvhwa Mulungu.

aVhaluumi 6:23

Yeenya, amalipilo aga vhutalamalandu vhufwe, ileelo ishipeelwa she uMulungu akuutupa, vhulanzi uvhwa shiima kwi idala ilya Mwene wiitu uChilisiti uYeesu.

aVhahebuuli 9:27

Inza vwe avhantu vhonti vhakufwa lwoka vhweleeele, havhili lwe vhaafwa, uMulungu akuvhalonga,



aVhahefeeso 2:8,9

Kwe ku vhwila vhwakwe uMulungu avhaposile kwi idala ilya kumwitiha uChilisiti. Nalyoli, uvhuposhi uvhwo vhutakufumiilana niimwe, shipeelwa isha vhweleele kufuma kwa Mulungu. Mutahapeelwa uvhuposhi ku mbombo zyinyu inyinza, inga nuumo atahinze ayitumvwe.

aVhaluumi 10:9,10

kuuti, inga wapemula ni ilomu lyaho weneewe kuuti, “UYeesu wu Mwene,” nu kwitiha mu mwoyo waaho kuuti uMulungu ámuzyusiize, ukupokwa. Yeenya, umuntu akwitiha nu mwoyo waakwe, pe akuvhaazilwa kuuti mugolosu, havhili akupemula ni ilomu lyakwe, pe akupokwa.



uYoohani 3:16,17

UMulungu ávhakunzite nkaani avhantu avha mu nsi umu, ye nongwa ánsonteleziize ne Mwana waakwe imozi, kwinda mu nsi umu inga umuntu woti we akuniitiha atahateje, nkandi avhwaje uvhulanzi uvhwa shiima. Yeenya, uMulungu atánsonteleziize ne Mwana waakwe kuvhalonga avhantu avha mu nsi umu, nkandi kuvhapoha.

1 uYoohani 5:11-13

Uvhwahome uvhwo vhwe vhuno: UMulungu atupiiye uvhulanzi uvhwa shiima shiima, uvhulanzi uvhwo tukuvhwaga kwa Mwana waakwe. Umuntu we ali nu vhuliilani nu Mwana wa Mulungu, ali nu vhulanzi uvhwo. Ileelo we atali nu vhuliilani nu Mwana wa Mulungu, atali nu vhulanzi uvhwo. Nkuvhasimbila amazwi iga, imwe mwe mukulyitiha izina ilya Mwana wa Mulungu, inga mumanye kuuti muli nu vhulanzi uvhwa shiima shiima.



uYoohani 14; 2 aVhakolinto 5;
iShitushizya 4, 21, 22

Storyline by: Edward D. Hughes

Illustrated by: Lazarus
and Alastair Paterson

Adapted by: Sarah S.

Nyiha Tanzania NT (nih) © 2021 Wycliffe Bible
Translators, Inc.

<https://www.bible.com/en-GB/bible/3145/MAT.1.NIH>

©2026 Bible for Children, Inc.

www.M1914.org

www.bibleforchildren.org

