

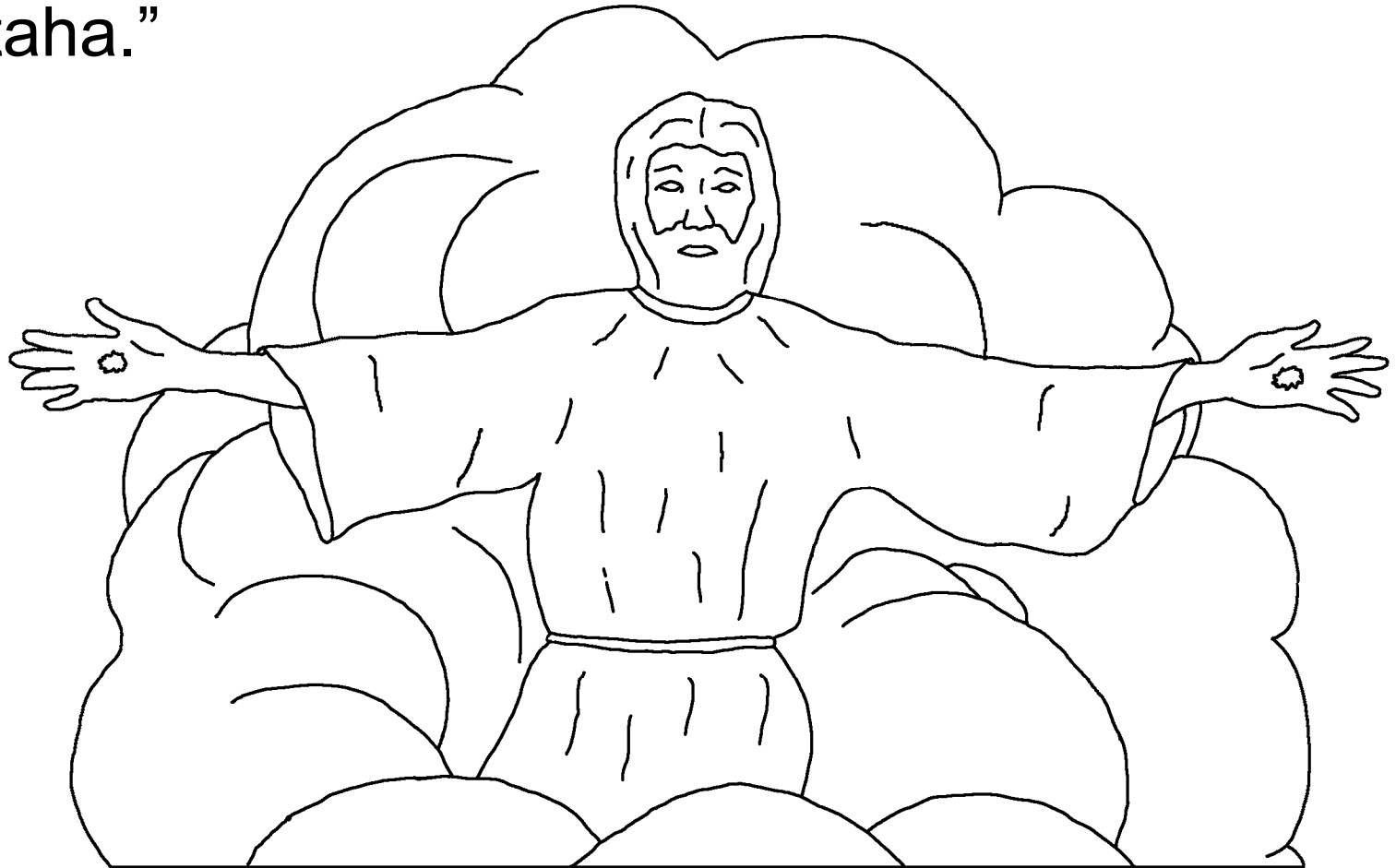
www.BibleForChildren.org



Jon 14



Jises tiye sahou ili toro lau tan, “Ado satikisiy ma ado sabudon solo-an labai. Ado katehei le budon tado mara-ei kili le ta Kindrei ma keme tek ale. Udu bolo kon ta tama doh, iri asiu nadu bwisik solo-an labai udu aliy. Idah kameh jo ilih mwena ta lowosa iri nadu asiu nane doh taha.”



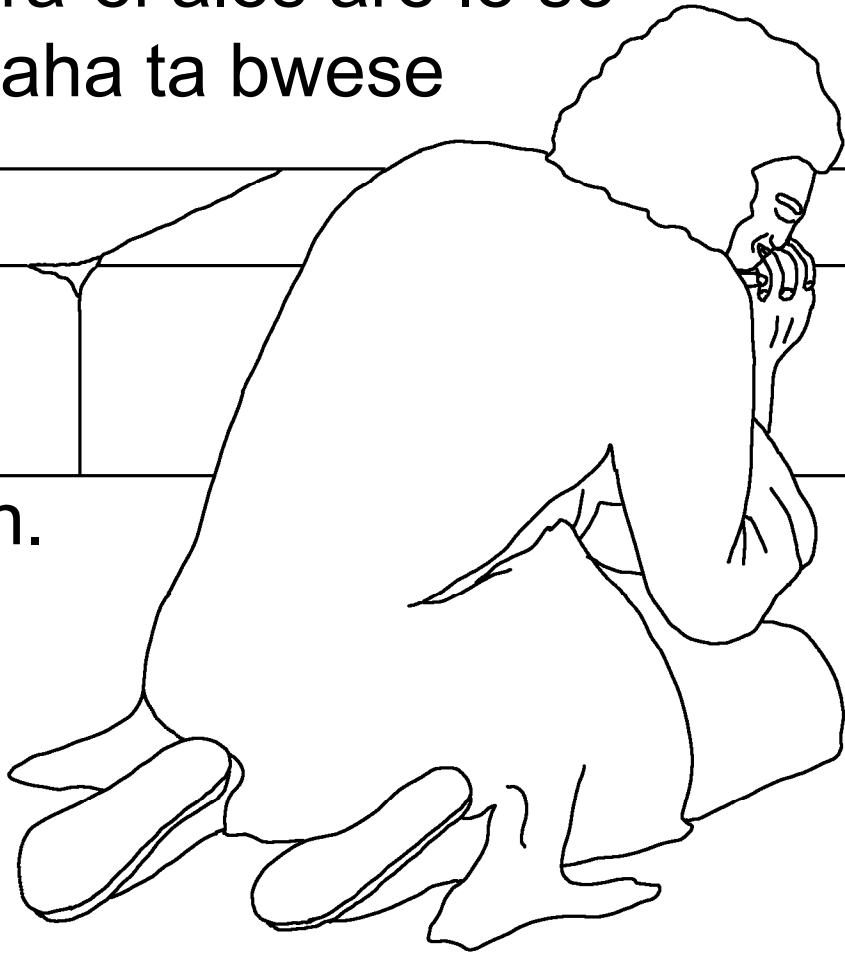
“Buku bado aliy bwe eh, idah jo winiyan basehek iri sahou dah bwe. I buku jo ilih bwena lowosani iri nadu asiu marakon nane doh ano, jo kameh eme hamon ja ta akohok aha ala ado hawek. Tasah jo aso-ok aha kameh ame ado hawek ado kon kameh jo udu aliy.”



Jo Jon, jo nadu tine aha lau ta Jises. Jo badu
have aha ta bwese maha-an ma akohok sisi-in,
jo udu bilisiu ta Kindrei have aha. Ma

taha mara-ei ales are le se
atadau taha ta bwese

maha-an.



Jo mene atiyé sahou ta Kindrei, ma jo asehek ta jo
amwenen badeh, atehei budon tek mara-ei
in ta sahou handru ta nyala Jises.

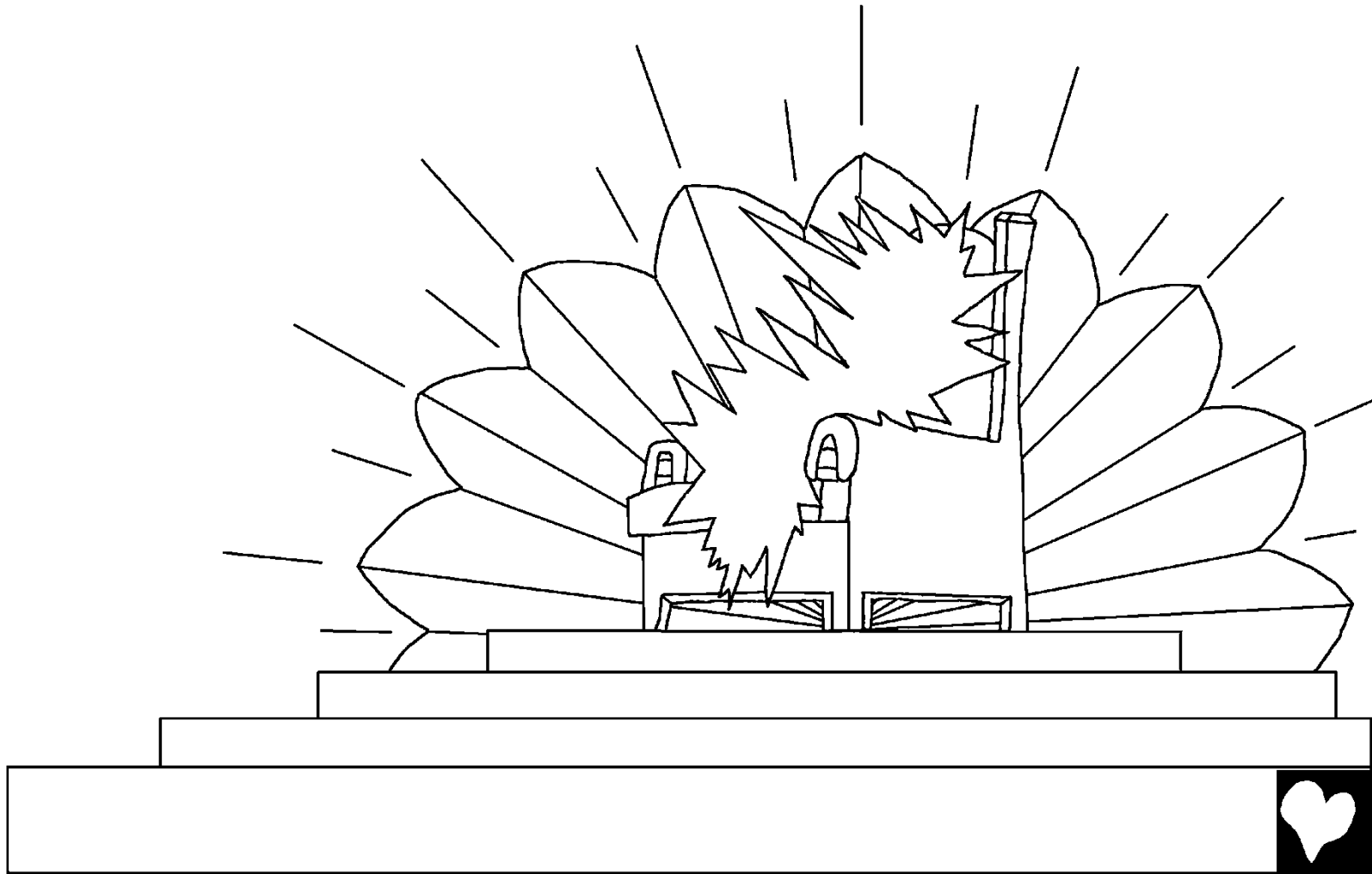
Eme ma iri lau tinan badu
Rom badeh, tikahei jo,



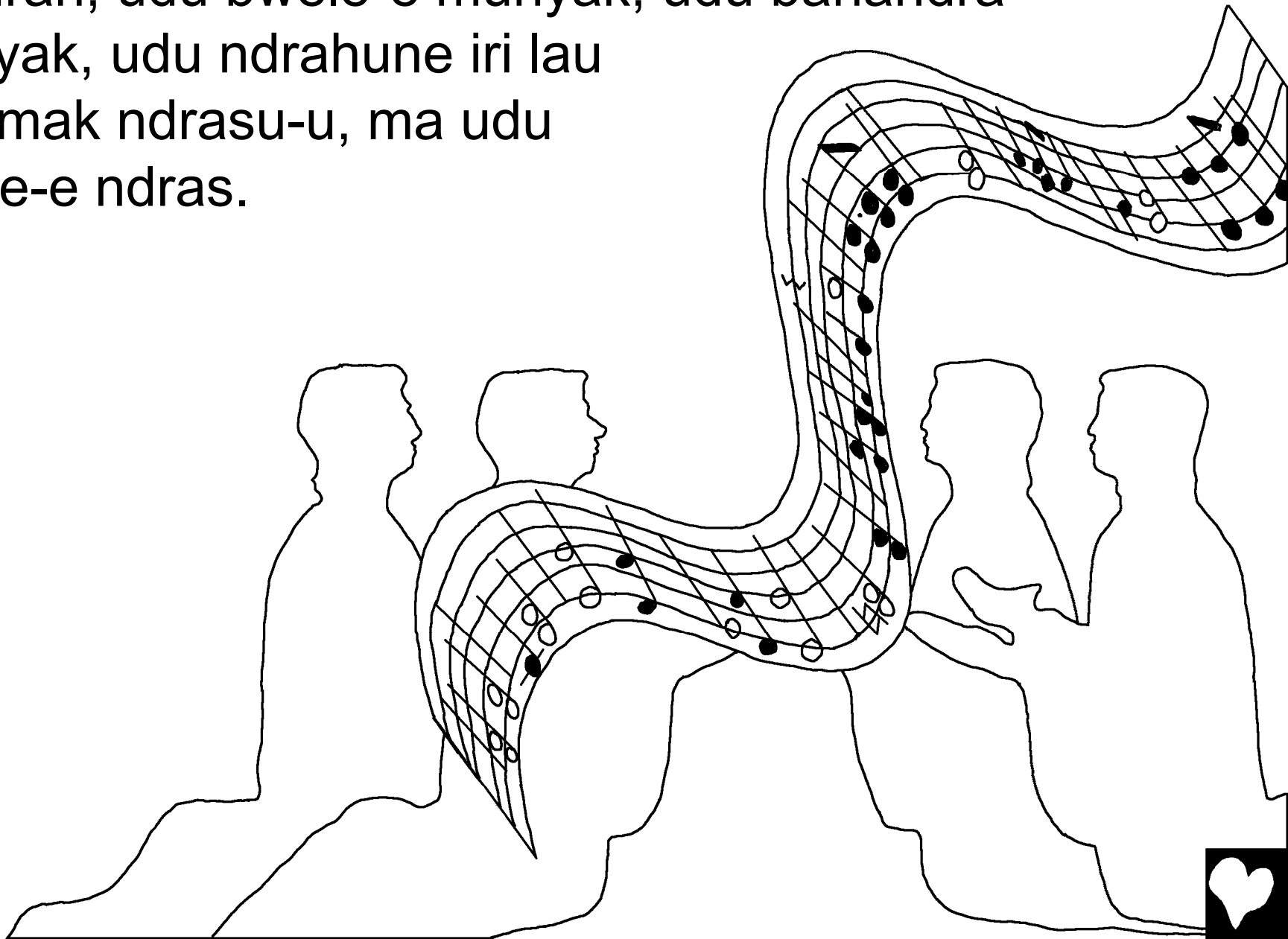
ma atehei jo ili bolo
kou udu busu ari, iri
aloh Patmos.



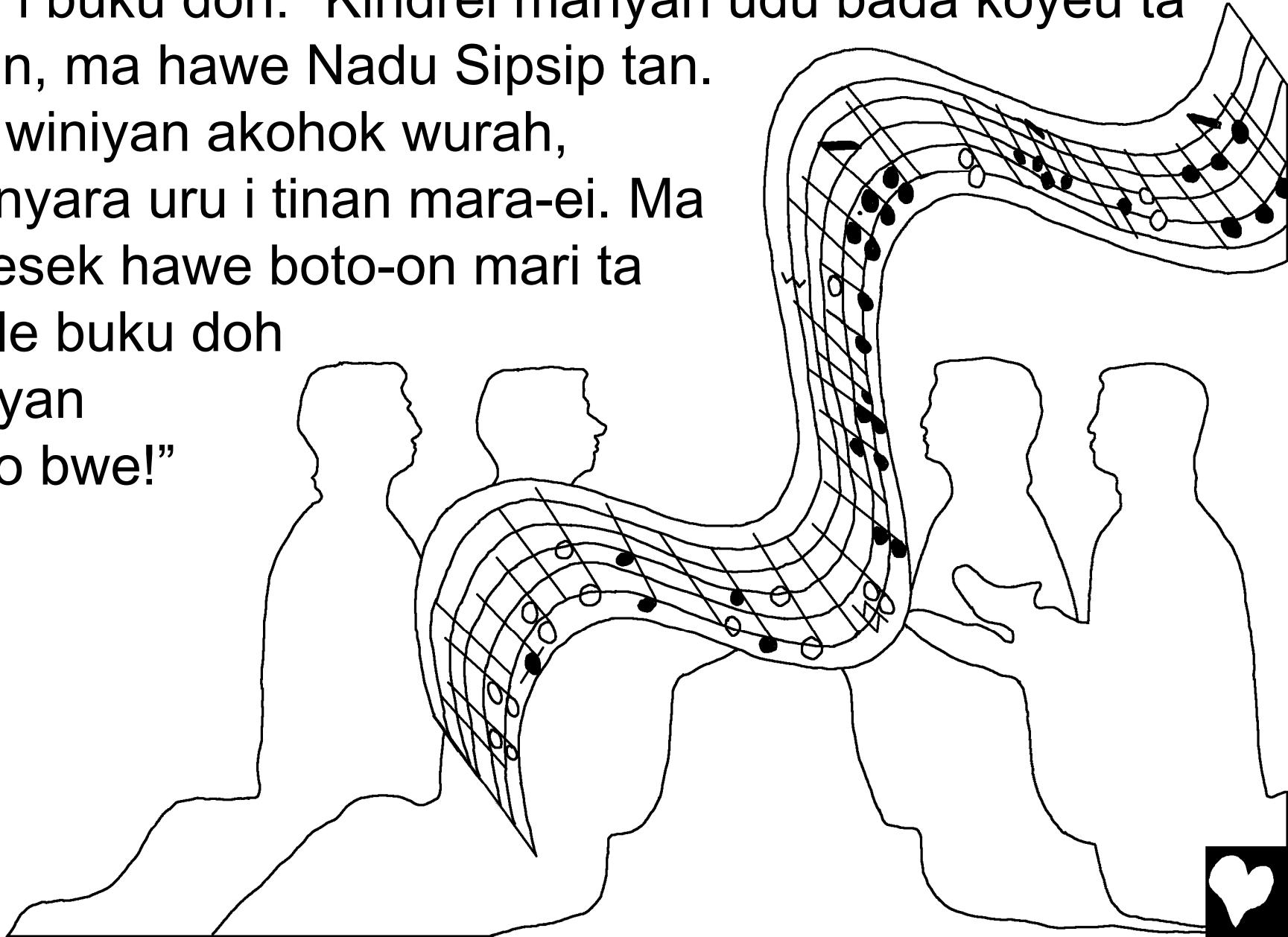
Ma se nawin bwe, Malawin Ndrabun eme bwele-ek,
ma jo anyolom koyeu ari ta kabin udu kandrah, ma
ndramak ari manyah udu aliy.



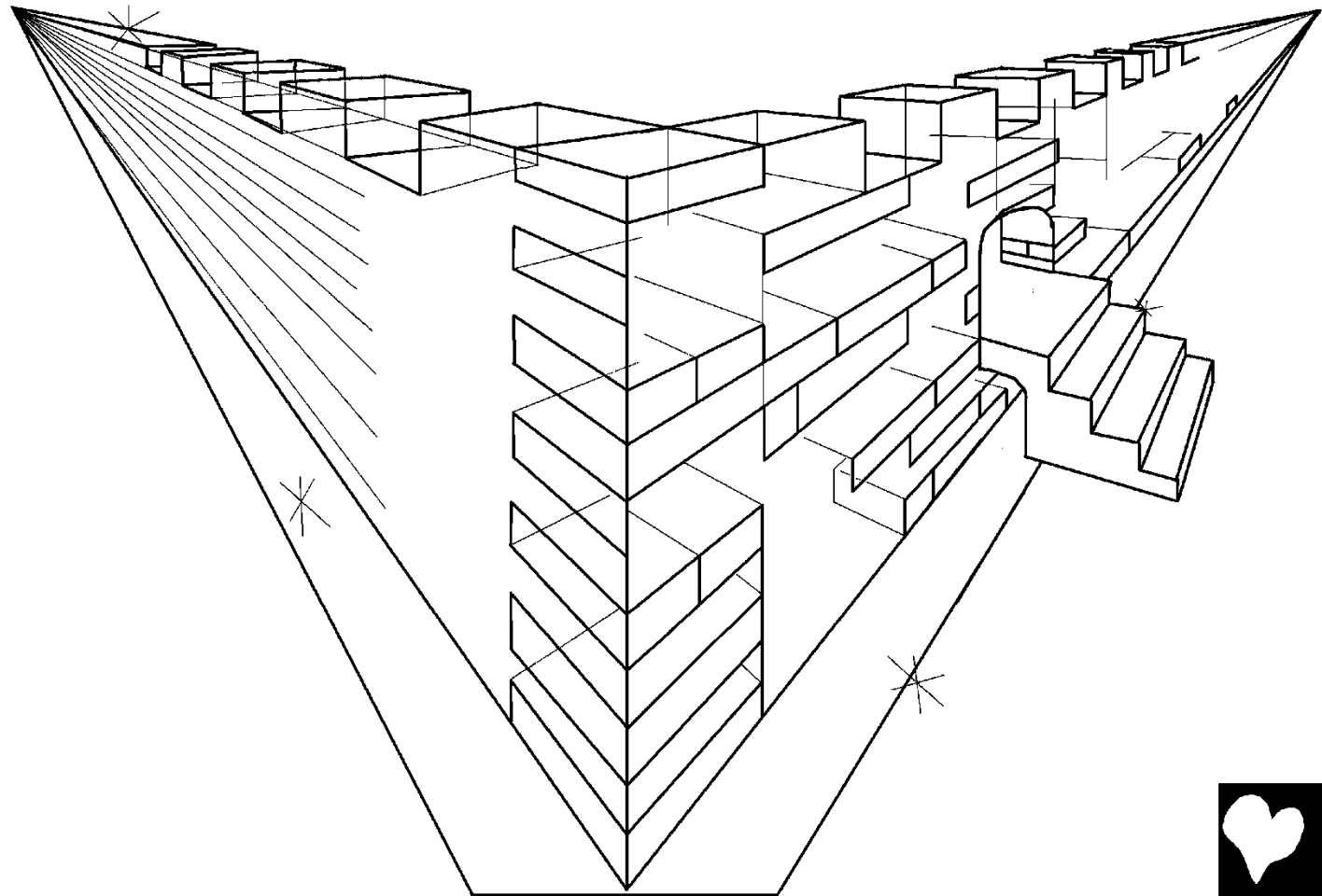
Ano badeh, jo anyolom iri lakou mara-ei ma mulin udu
kandrah, udu bwele-e munyak, udu bahandra
munyak, udu ndrahune iri lau
ndramak ndrasu-u, ma udu
bwele-e ndras.



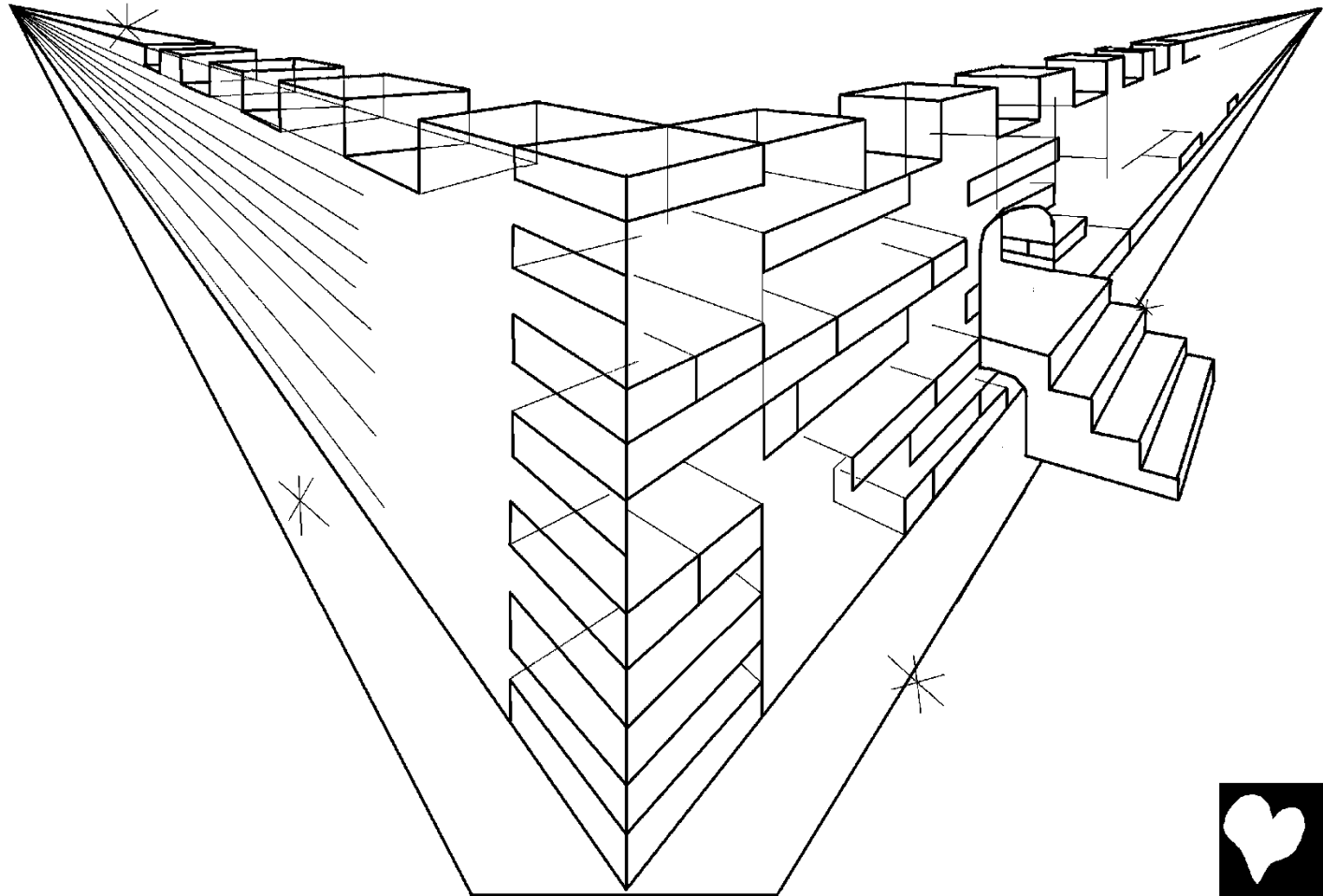
Iri lakou mara-ei doh badeh, jo anuhun iri ayah wari i buku doh: “Kindrei manyah udu bada koyeu ta kabin, ma have Nadu Sipsip tan. Uru winiyan akohok wurah, ma nyara uru i tinan mara-ei. Ma sekesekek have boto-on mari ta ere le buku doh winiyan bano bwe!”



Ma jo ale anyolom kon tinan Jerusalem ha-un ndraban labai asahan. Jo anyolom kon tinan doh udu hawe Kindrei, udu bolo kandrah eme andri, i buku badih ndralkowani iy, ma ndranyosowani iy ta anya kili bahandra mwan tan.



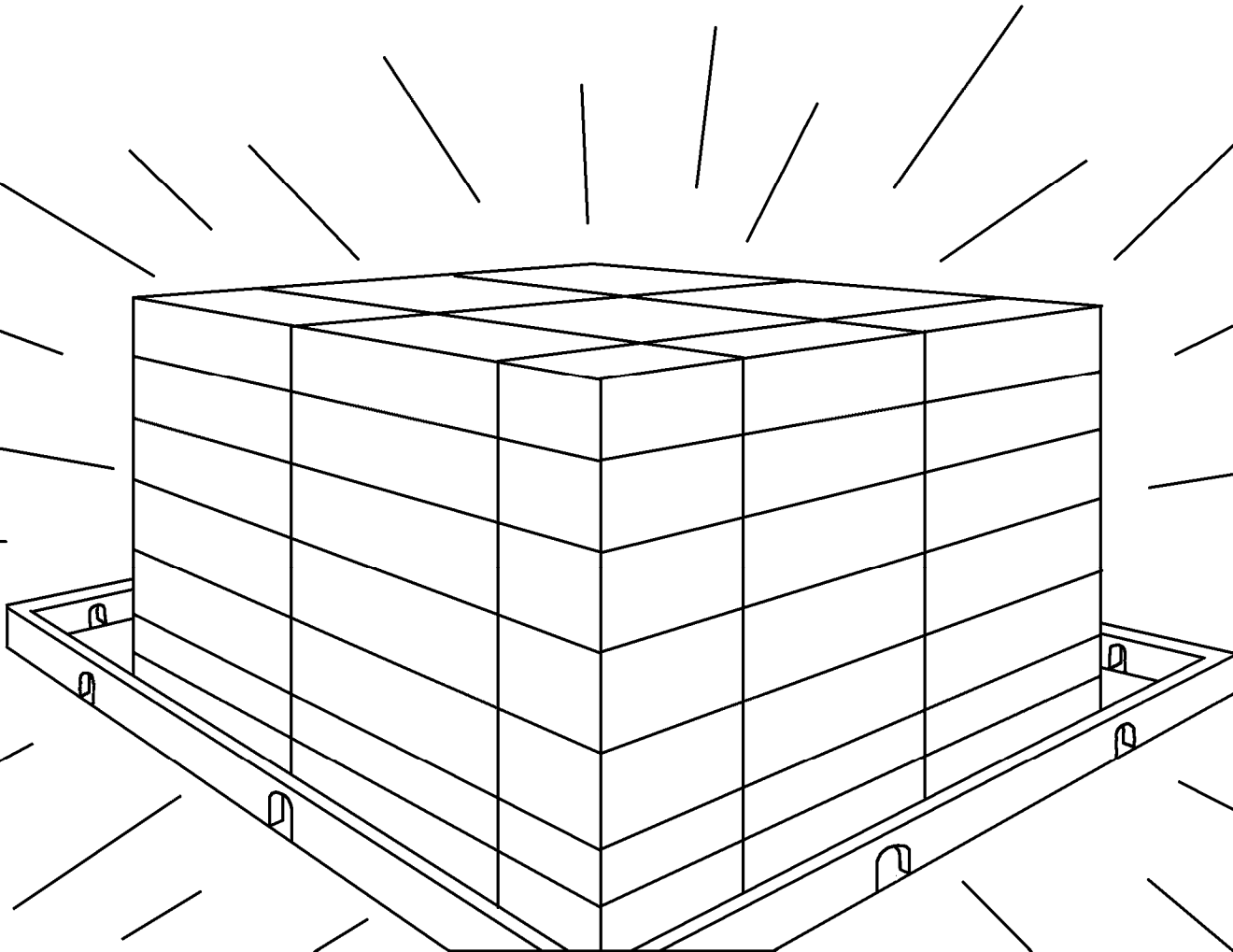
Jo ale anuhun boho ndramak ari udu bada koyeu ta Kindrei asehek sahou boto-on labai i buku doh,
“Nadah, ndrahu manyah ta Kindrei udu hawe lau mwan ma badih! Iy kameh manyah udu hawe iri, ma iri kameh asahan lau tan. Kindrei le amwenen kameh udu hawe iri, ma iy kameh asahan Kindrei tiri.”



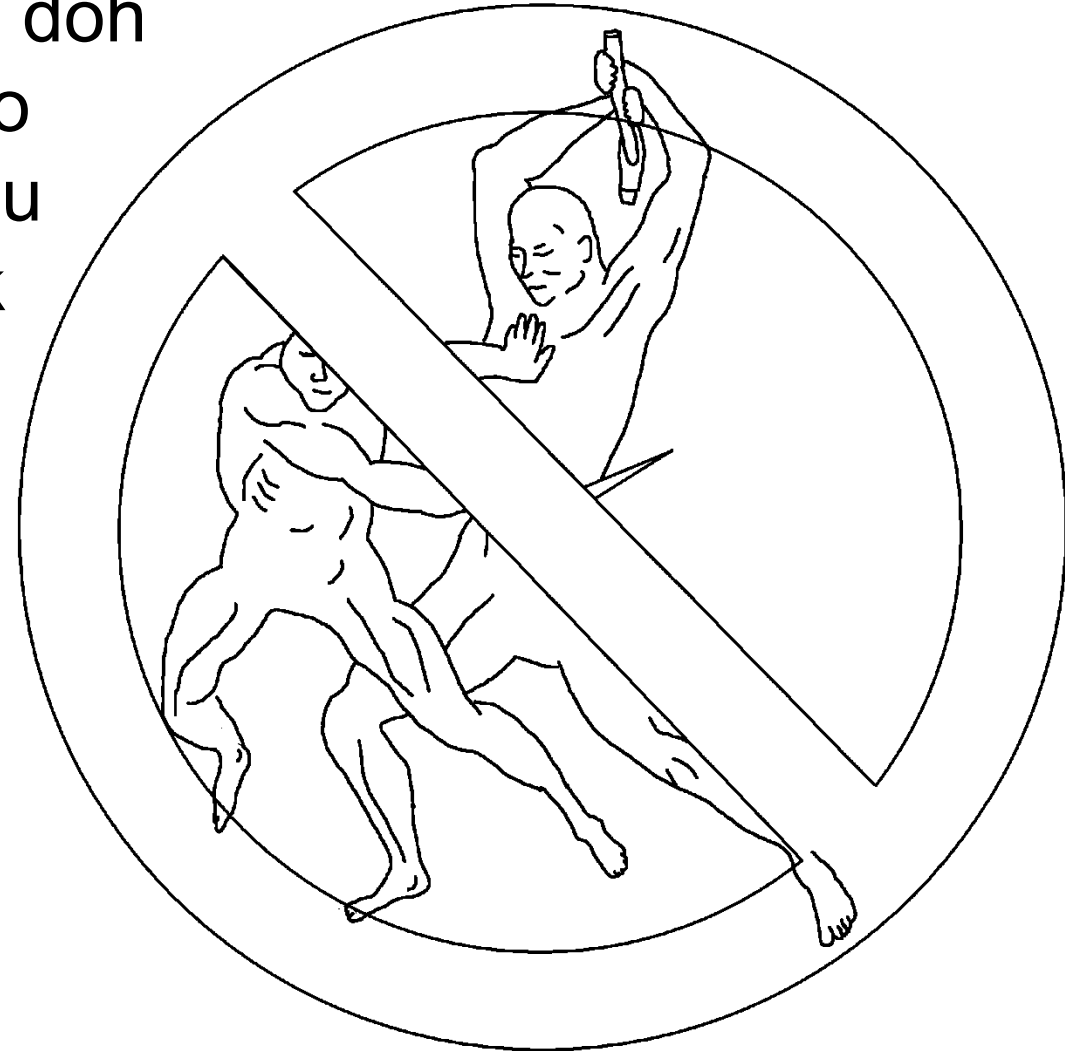
Angelo nane leheya jo ale ta gwa ari doh, kohan handru udu aliy, ta adeu ili wa-i iri lau. Lewen mara-ei, i buku torowe. Bare gwa doh badeh, udu lobocho bada koyeu ta Kindrei uru Nadu Sipsip tan, arorou eme len.



Udu bolo kon tinan nane doh, an ma bun badeh,
banya bwe, tasah lomada Kindrei le ari anya ili
bwele-en. Ya, Nadu Sipsip badeh, anya i nyara
sun ta aliy.



Arile, iri lakou ndraka-an, hawe iri lau ta amekes
kandriyen ndra-in, iri lau ta karei, ma iri lau ta amekes
sahou wasai, iri mara-ei doh
kameh winiyan bala bolo
kon tinan doh bwe. Iri lau
le nyara iri udu bolo buk
ta Nadu Sipsip, iri le
lau doh kameh akohok
kohan handru ma
winiyan ala bolo
kon tinan don ai.



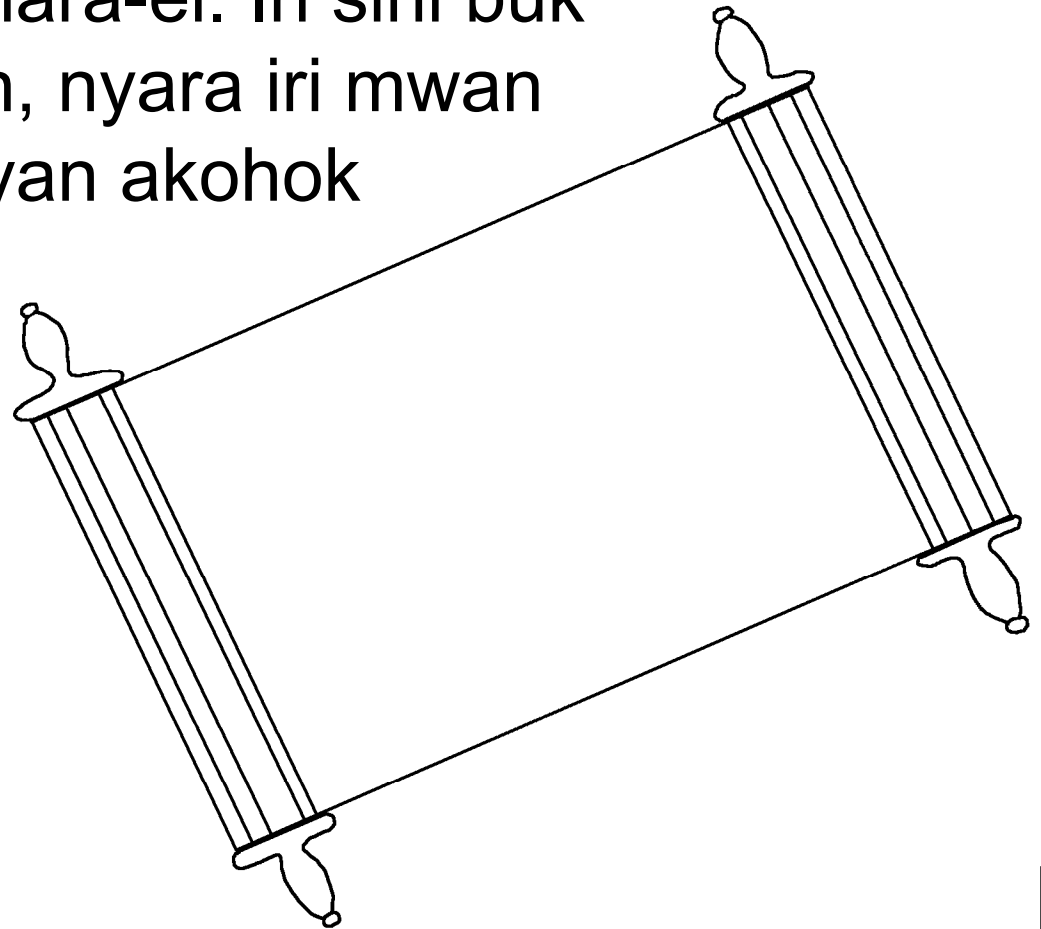
“Iy kameh owei wa-i mada iri mara-ei iu. Iri mwan ma badih kameh winiyan bamak ja bwai, iri kameh winiyan batikisiy ma baden, o babwese iri maha-an ma sisi-in ja bwai. Iri lakou malen bwena badeh, ndrano mara-ei.”



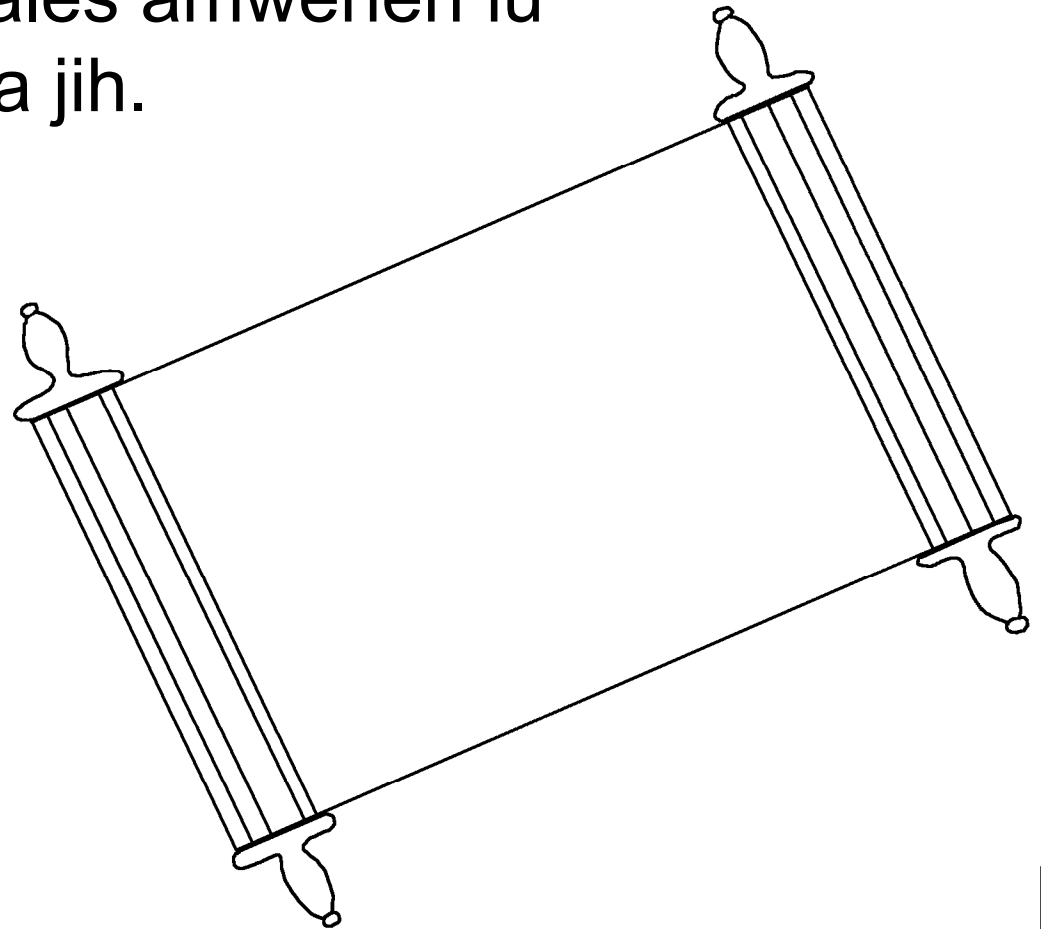
Ya, iri lakou marakon Kindrei anya kakeh ki-iu, kameh winiyan bado bolo kon tinan doh ja bwai. Kindrei kameh akahei marakon iu. Kindrei hawe Nadu Sipsip tan kameh ado bolo kon tinan doh, ma atondrok iri mwan ma badih nane are aliy. Ma iri lohowan ta Kindrei kameh, amekes lahou tan ma atudun iy are aliy. Ma iri winiyan anyolom madan, ma iy kameh torowenei nyaran udu bwili iri.



Ma jo ale anyolom iri lau ndramak bwena on! Iri lau nadu batun, iri lau laleyah tiri lakou bwe, iri lau marakon doh badeh, ales are bwena ta koyeu ta kabin. Iy ndramak manyah udu bada koyeu badeh, tiye iri angelo kasihi iri buk mara-ei. Iri sihi buk ari ale, buk doh badeh, nyara iri mwan ma badih kameh winiyan akohok kohan handru ado hawe Kindrei.



Kindrei badeh, anyolom bolo iri buk ma aleben
kandriyen marakon tiri lau ndramak, mene amekes.
Buku are lau nyaran bado bolo buk ta lau winiyan
akohok kohan handru doh bwe, Kindrei kameh tiye iri
angelo tan, akahei iy ales amwenen iu
ili bolo lek laba tinan ta jih.



Malawin Ndrabun hawe udu Nadu Sipsip anya, “Ou ame.” Eme ma iri lau marakon anuhun boho uru, iri ale kasehek sahou anya, “Ou ame.”



Buku ou are mwan o badih, balem amar ta gwa
kohan handru udu aliy, ou ame akohok wa-im gwa
ta edeu kohan handru, na so-ok tam, i buku
ndramas Kindrei edeu laleyah.



Sahou doh handru, tasah Kindrei aso-ok
taha lau marakon badu kon munyak tinan
labai. Iy eme tikisi taha, ma iy atehei nadun
mwan ari le eme tataha. Buku are lau iy
atehei budon handru in tan, iy kameh
winiyan bamak bwe, ma kohan handru
kameh ta udu le buku doh.



Rom 3:23

Tasah, taha mari badeh, ta amekes kandriyen ndra-in, ma taha asahan i le randra. Taha ataras mara-ei ta kalem mene Kindrei atehei ma taha winiyan bala bolo lomadan tan bwe.

Rom 6:23

Tasah, sihine karei ma lomondra ndra-in badeh, imek le. Arile, Kindrei edeu ndramas laleyah i ta lau badeh, kohan ta udu le buku doh i san ta Laban Jises Krais le.

Hiburu 9:27

Lau marakon kameh amak san rasan le, ano kameh iri asahan ta len ta sahou.



Epesus 2:8,9 Lakou doh, aha amwenen mene bamekes bwe. Kindrei edeu laleyah ewek taha. Aha mene atehei le budon handru in ta Krais, ma na so-ok ta Kindrei le amwenen, iy andrei aha ame hamon ja. Idoh winiyan basahan bala buku ndramas ta gok nane aha amekes, bwe. Eme ma, ari mwan o badih winiyan batudun nyara iri amwenen bwe, ma anya, “Jo le amwenen ibo gok, ma jo asahan mwasin ta budon ta Kindrei, ma iy andrei jo eme hamon ja.” Idoh sahou ta wasai!

Rom 10:9,10 Ya, i buku none ou asehek na bohomo eme lewan anya, “Handru, Jises badeh, iy Laban,” ma ou atehei budon tam handru na ndrinem katiye ta Kindrei badeh, mete-ei Jises ta imek handru, idah kameh, iy akohok ou ame hamon. Tasah, ou badeh, atehei budon tam handru na ndrinem, ya eme Kindrei aloh ou mwasin mara-ei ta madan. Ma ou asehek sahou na bohomo eme lewan, ma eme iy akohok ou ame hamon.



Jon 3:16,17

“Sahou doh handru, tasah Kindrei aso-ok taha lau marakon badu kon munyak tinan labai. Iy eme tikisi taha, ma iy atehei nadun mwan ari le eme tataha. Buku are lau iy atehei budon handru in tan, iy kameh winiyan bamak bwe, ma kohan handru kameh ta udu le buku doh. Kindrei atehei nadun eme andri bolo kon munyak ta edeu ndramak ari, ari ala ta mada sahou, bwe; iy eme ta akohok taha ado ta bolo kandriyen ndra-in ame hamon ja.



1 Jon 5:11-13

Ya sahou handru Kindrei asehek i buku doh: Iy ndramesekei san ta taha ta akohok kohan mwasin ta udu le buku doh. Ya san ta akohok kohan mwasin ta udu le buku doh badeh, asahan ta gok, nadun mene ndramesekei ereu ta kei tondreh. Are lau ihis hawe Nadu Kindrei, iy ndrakahok kohan mwasin ale winiyan bano bwe. Arile, are lau bahis hawe Nadu Kindrei bwe, iy winiyan bakohok kohan mwasin ta ereu le buku doh, bwe. Jo atorou ewek taha, ta aha katanan, buku aha ndrakahok kohan mwasin winiyan bano bwe. Ou are lau ale atehei budon tam handru in ta Nadu Kindrei en.



Jon 14; 2 Korin 5; Rebelesen 4, 21, 22

Storyline by: Edward D. Hughes

Illustrated by: Lazarus
and Alastair Paterson

Adapted by: Sarah S.

Nyindrou Bible (lid) © 2001, Wycliffe Bible Translators, Inc.
All rights reserved.

<https://live.bible.is/bible/LIDWBT/MAT/1>

©2026 Bible for Children, Inc.

www.M1914.org

www.bibleforchildren.org

