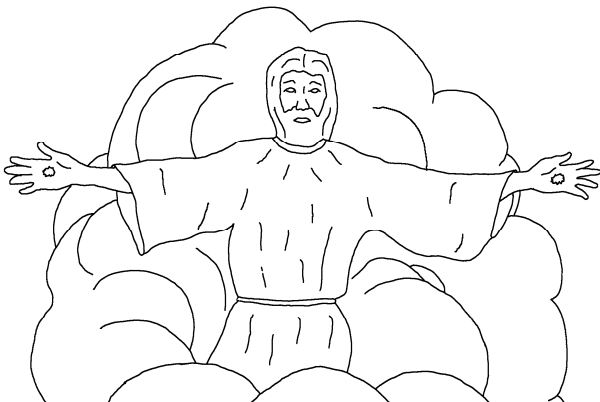


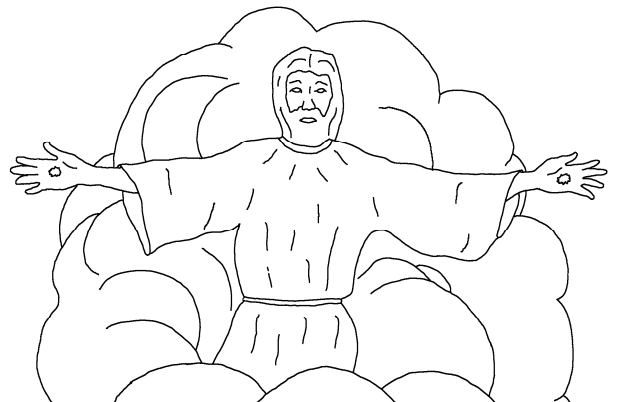
John 14



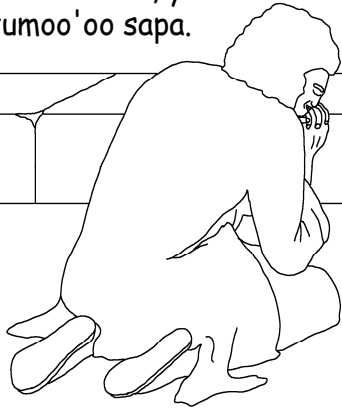
Soo Te Pabe'e yise numme pumme nakatzimodu mee netamma, "Gi suda sokwamapana. Mooasoo mu ka Te Naa nakabetsea, nuka nakabetsea tuwazoo. Soo Te Naa nobe-kwitu ewow kapa-ga'yoo."



"Nu togesapa, nu gi esaya'e. Nu mease ka Te Naa-baa mu kapadookukwu. Saa'a nu yaasoo kodyu petuse, mu bikakwu Te Naa-matoo. O'no yise mu oosapa nu-no'yookwu."

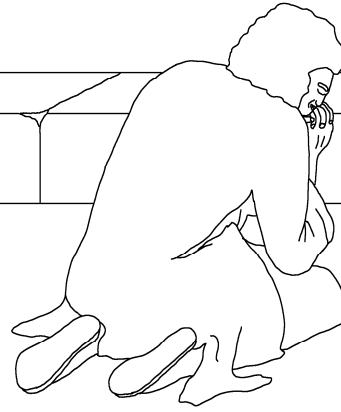


Nu mumme Te Pabe'e-witu
tunaka'oedyukudu-matoo tubo'okwu.
Nu punno'o mu-kwa'nesoo ka Te
Pabe'e-matoo nanesootuhidu tooe
tamme tu nekuseka, yise tamme
tu nanetumoo'oo sapa.



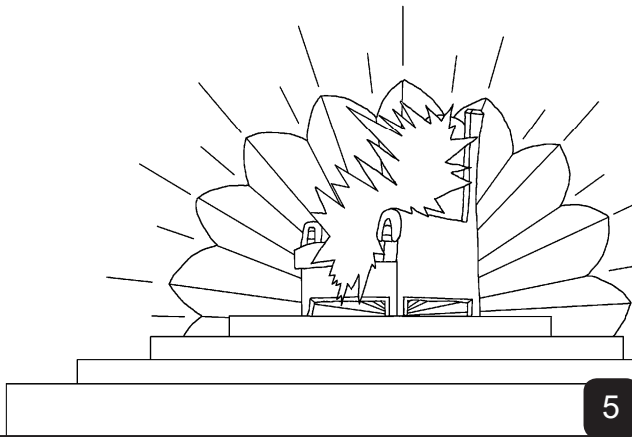
3

Nu ka Te Naa unnepu Te Pabe'e-witu mu numu
tunedyooena, oonne'yoona nu yaa
baa-kumana pagadudu Patmos mee
naneadu-kooba nakwutuma.



4

Nu pooha tseboese soo Te Naa Besa Pooha ka
koomeba tawagatoo e bihookase ka Te Naa-kobena
numme pepetuga, o ka Te Naa numu nehanegatu-kwi.



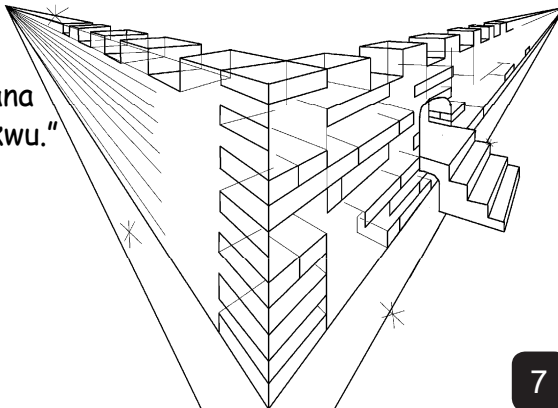
5

No'yoona hee ka Te Naa manumudoopu punno'o mee
unnegonno, "Te Pabe'e ka mu numu-koobatoo
nabatsase meno'o gwetzoidu
no'oko hemma oonakwa unu
nanasookwuga'e, mu suu'mu
tamme-kooba namayugwe,
naduya no'okosoo hemma
mamanepunnena
ekow no'oko
nasootuhipu gi
mobegwa-ga."



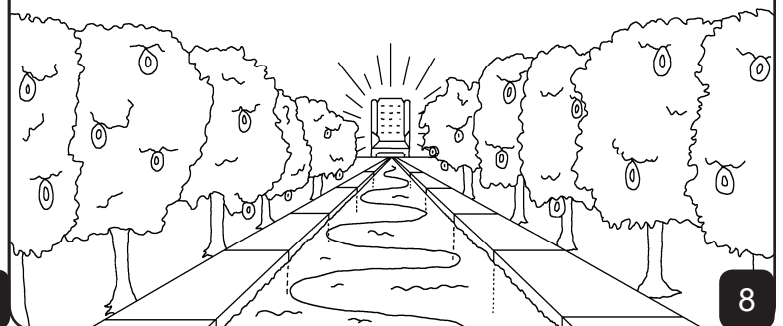
6

O umuoo Te Pabe'e-wi tunaka'oedyukudu pudu
teepu-kooba tubewa-ga'yoo. Sumu'yoo Te Naa
oo-tugana'yoona meeoone, "Meno'o manakwana
soo Te Naa oosapa tu dooamu-no'yoopunnekwu
mu oosapa Te Naa-matoo nanesootuhikwu.
Te Naa
oosapa mu
doodooamu-gana
mu mabetseakwu."



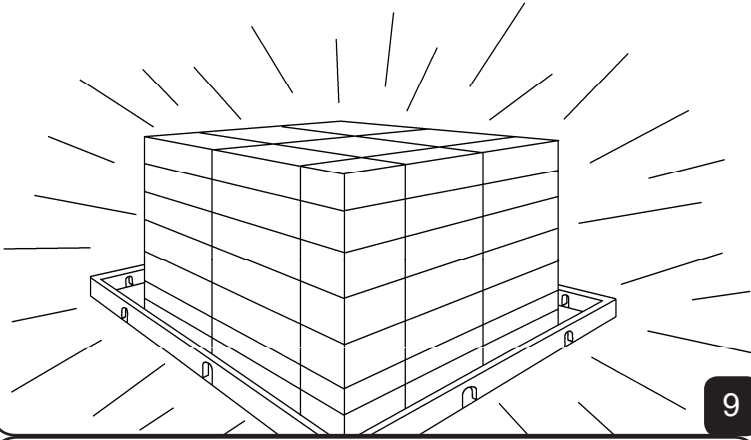
7

O'no yise Te Naa tumatzidu toha kasa-ga'yoo nuka
tu pooha poonnekuna, ka besa patatzadyadu gi
totsa-gakoo baa hoodu ka Te Naa noko Te
Pabe'e-pukwi'yoona nakwana kemmadu.



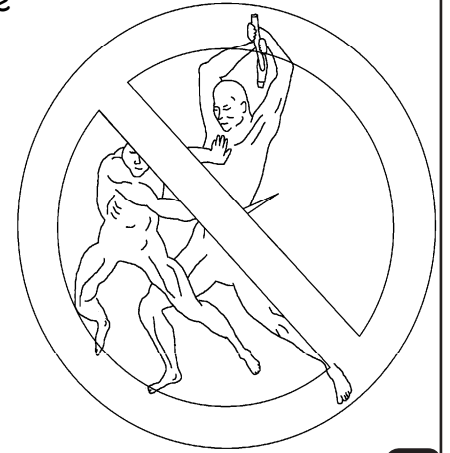
8

No'yoona umu oo doodoamu ka Te Pabe'e no'oko Te Naa pooha-toohakwi manemo. Ooonne'yoona gi togaba-ga'yoo.



9

Tooe haga tooe ka Te Naa Tooa'ana yise oo-no'yookwu. Mu suta'yoo numu gi oe nane'egakute mu tooe hemmatu tooe nanesootuhidu punno'o gi oe nane'ega-wa'ne'yoo.



10

"Umu tea'a no'yoona besa sokwamana, numaba gadoo'yoo gi tuikwu."



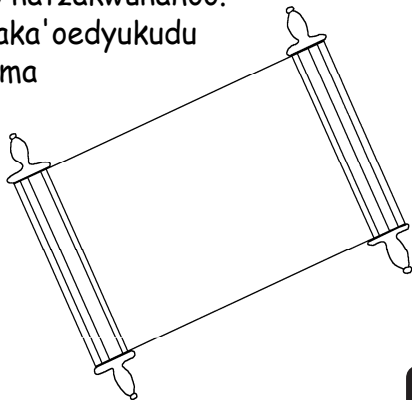
11

Tooe hee suta'yoo otuoo gadoo'yookwu. Soo Te Naa-no Te Pabe'e o numu nehanepunnena, umu oosapa ka Te Naa-matoo nanesootuhina, umuoo oosapa Te Naa dooamuna oosapa oo-no'yookwu.



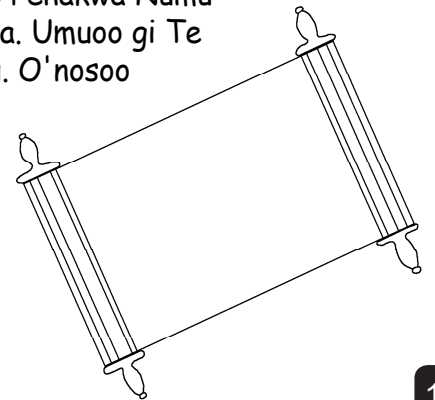
12

Tuipu numu tooe hano tooe namayosuse, no'obatusoo tuipu numu ka Te Naa-kobena konnopunne. Soo Te Naa o'nosoo mu manena botugukwu. Sumu'yoo yise tubope ka mu numu oosapa momokwudu naneana pukwi nabona punno'o natzakwunahoo. Mu tuipu numu gi tunaka'oedyukudu no'oko tu manemopu-ma nanemadabuehoo. No'yoona ka umu tubope-wi nanabo'o.



13

Tooe haga tooe naneana gi ka tubope-wi nabodu numu oosapa gwetzoikwuna nasootuhipu ka gi tookedu nikatudu-kwa'ne. O'no soo numu ya'ekwuna ka gi tookedu goso-kwitoo natzawunihoo. Oosoo nikatudu-kwa'ne'yoo Penakwa Numu Yaekwuna mee nane'a. Umuoo gi Te Naa hee soobedyadu. O'nosoo Etza'a unnepu gadoo namayugwe, o'no manakwana numu gi ya'e-wa'ne'yoo.



14

Soo Te Naa Besa Pooha, Te Pabe'e-wi tunaka'oedyukudu-no, ka mu yaatoo numu meeoo netamma, "Te Pabe'e-toooha manese oo naka'oedyukuna, mu ka gi mobegwa-gakoo gwetzoibu-ma nasootuhikwu."



15

Te Naa no'oko numu ka teepu-koobatu besa soobedyana, tu besa dooa tamme-koobattoo nemawuni. Tooe haga tooe nu-kwi tunaka'oedyukudu gi ya'ekwu oosapa gwetzoinnummekwu.

60



60

16

Romans 3:23

Tamme ka no'yoona tuma'emukwakupuna, gi ka Te Naa tamme oo netamma-kwa'nesoo manena.

Romans 6:23

Tammesoo tuma'emukwana ka te ko'e, pana soo Te Naa te sootuha'e te gwetzoimokwuna, ka Te Pabe'e Jesus tamme-koobattoo nabatsase.

Hebrews 9:27

No'yoona numu sumusoo ya'eyakwe. Obenakwattoo yise soo Te Naa no'oko te tumatugupu nemadunagakwu.

17

Ephesians 2:8,9

Tooe tamme gi ka tamme oo tunetammakuna no'oko mayohopana soo Te Naa te sootuhikwu. Oosoo te magwetzoikwu ka te tunaka'oedyukute. No'yoona tamme gi mee'e nana'unne-wa'ne'yoo, "Numme nummesoo namagwetzoa'e ka besa tumatuguna." Soo Te Naa puusoo tamme sootuhikwu.

Romans 10:9,10

"Soo Jesus Te Pabe'e," mee'e tamme unnena tamme oo tubetse naka'oedyukuna, soo Te Naa oo ya'e-wikoo oo mayodase, yise oosoo te magwetzoikwu. Tamme ka tunaka'oedyukuna soo Te Naa, "Besa'yoo," mee te netamma, tamme yise ka oo wahana, soo Te Naa te magwetzoa'e.

18

John 3:16,17

Te Naa no'oko numu ka teepu-koobatu besa soobedyana, tu besa dooa tamme-koobattoo nemawuni. Tooe haga tooe nu-kwi tunaka'oedyukudu gi ya'ekwu oosapa gwetzoinnummekwu. Soo E Naa ka yaa teepu-koobatu numu e magwetzoit tuunguna yaatoo e ta'ya, gi nagutza ka mu sutakoo numu kadoo e mayugwe tuunguna.

1 John 5:11-13

Soo Te Naa meeoo te tunetammakupu ka Te Pabe'e mane-koobattoo gi mobegwa-gakwu oosapa te gwetzoimokwuna te sootuhikwu. Soo tooe haga tooe ka Te Pabe'e naka'oedyukudu tu namagwetzoina nasootuhikwu, soo gi tunaka'oedyukudu gi. Nu mumme Te Pabe'e naka'oedyukudu-mattoo tubo'o o'no mu nananesootuha'edu numu ka oosapa gi mobegwa-gakoo namagwetzooidu, pumme tu sootuhipu sopedakwadookwu.

19

John 14; 2 Corinthians 5; Revelation 4, 21, 22

Storyline by: Edward D. Hughes

Illustrated by: Lazarus and Alastair Paterson

Adapted by: Sarah S.

Paiute, Northern NT (pao) © 1985, Wycliffe Bible Translators, Inc. All rights reserved.

<https://live.bible.is/bible/PAONAB/MAT/1>

©2026 Bible for Children, Inc.
www.M1914.org www.bibleforchildren.org

20