

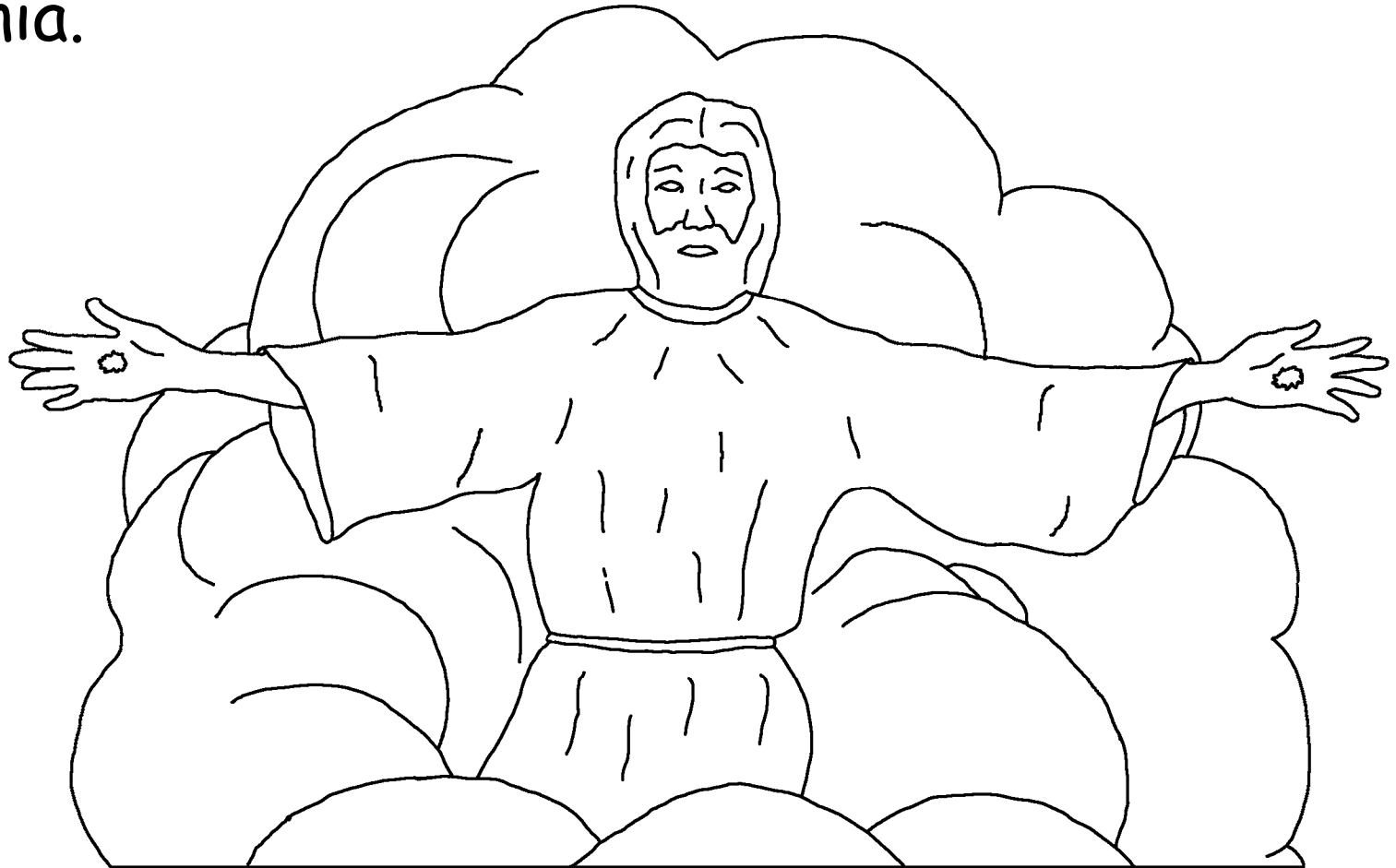
[www.BibleForChildren.org](http://www.BibleForChildren.org)



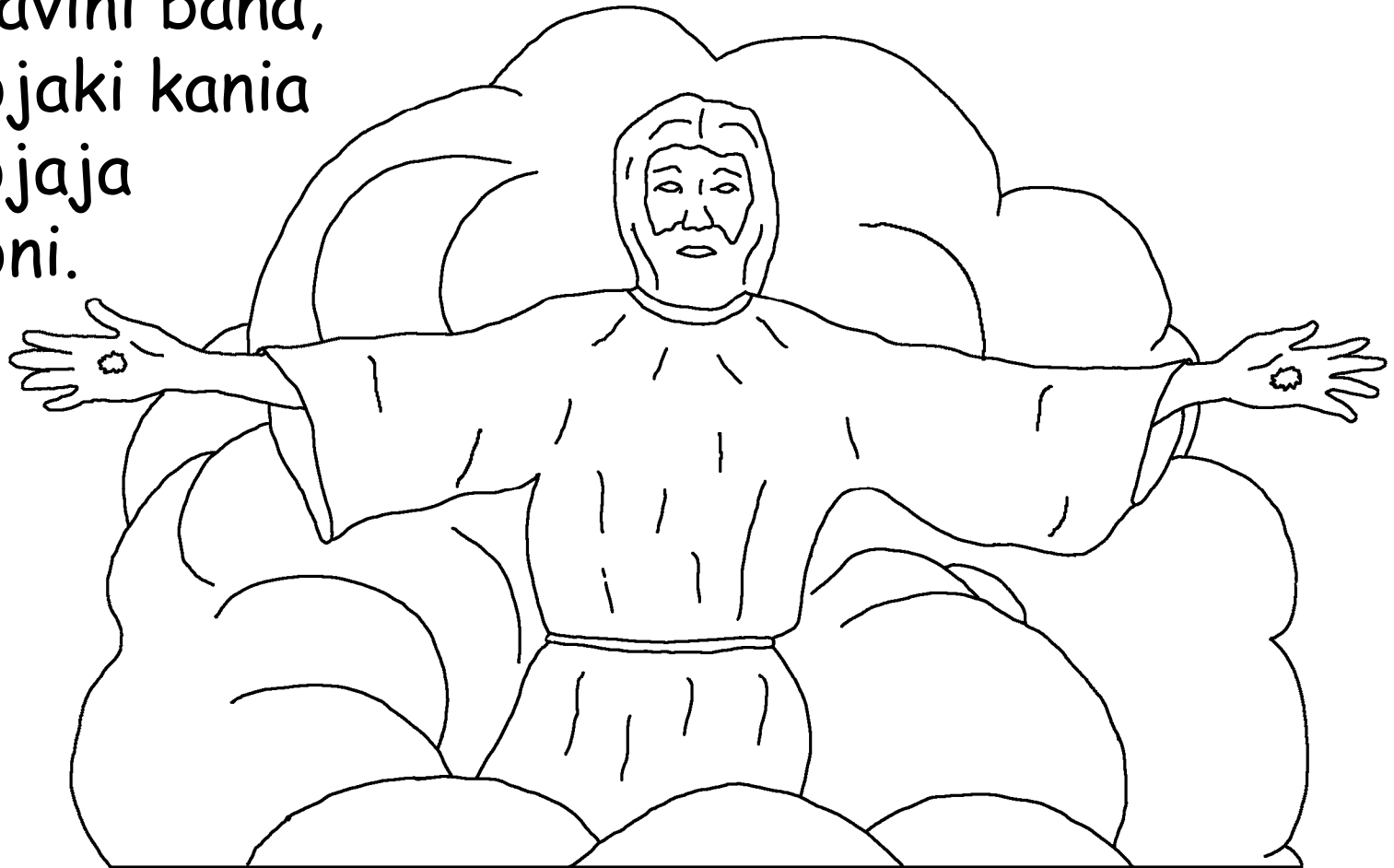
# João 14



Hari. Oniaroa, Jesus va'ora ni'a'aha adani ipohina:  
—Amaakarini kaba'i ida oabinina, hari'a avava'ini  
namokarava bana. Hari'a avava'ini soko iniva bana.  
Deu-ra vavakaijoka'a bana, hora vavakaijoka'a jaboni.  
Hojaki ida ija'ari ibavini ipohiki kodiabi'i gorana  
bodinia.



Kidiana ookhananavaki bana ho, a'onira  
okaibavijahahivini hiki bana ida ibavi afohanana.  
Hojarija vaha ida ibavi avakadimoni; a'onira  
onanamithahi vaha. Avaibavinia a'onira  
okaibavijahahivini naothinia, ojoiki bana ho a'onira  
onikhavini bana,  
ovahojaki kania  
avahojaja  
kaimoni.



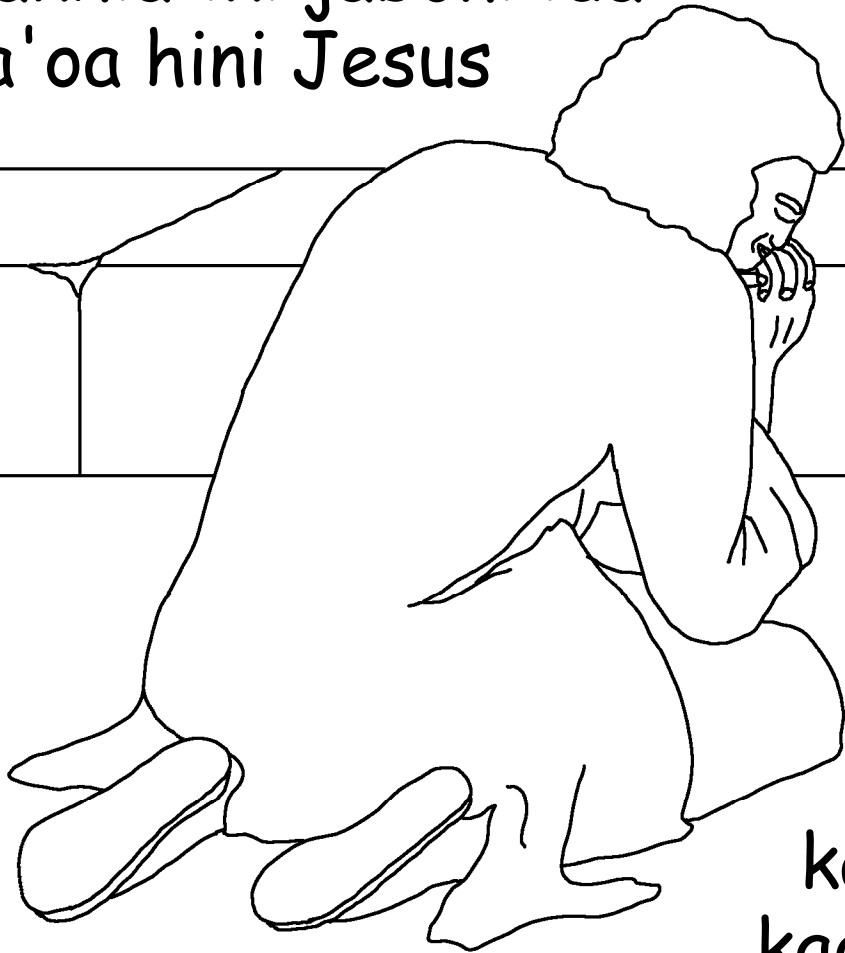
Hovani avaigamini João ho. Aakaramisiki hari  
Jesus kania. A'onira vanajaharivini  
fori ohiki ho jaboni. Jesus haria

vaka'da'divini mani ida haria  
vanajaharivini hija.



Haria vanajaharivarivini kaba'i, ni-Cristo haria  
akava'ijoavini-ra akava'ipahiniki. Deus  
athi-ra onamonibakhia'iki ho, vara

ovani'abakhia'iki jaboni ida  
varani ka'oa hini Jesus



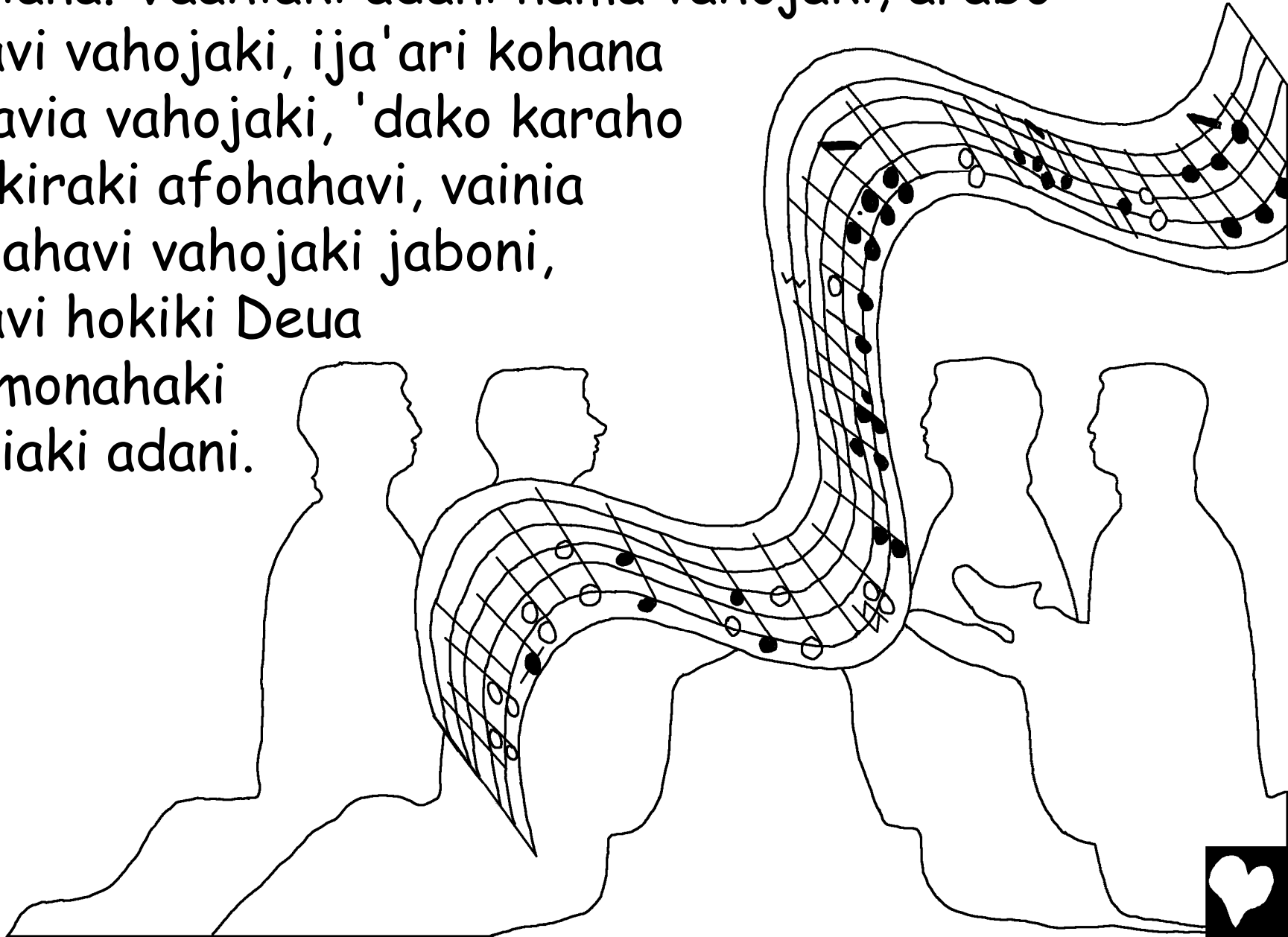
haria nava'isohivini  
hi'iki, oniani ida hora  
vagathivini hija,  
hora avisavini hija  
kajoviri Patmos  
kaoniki kania.



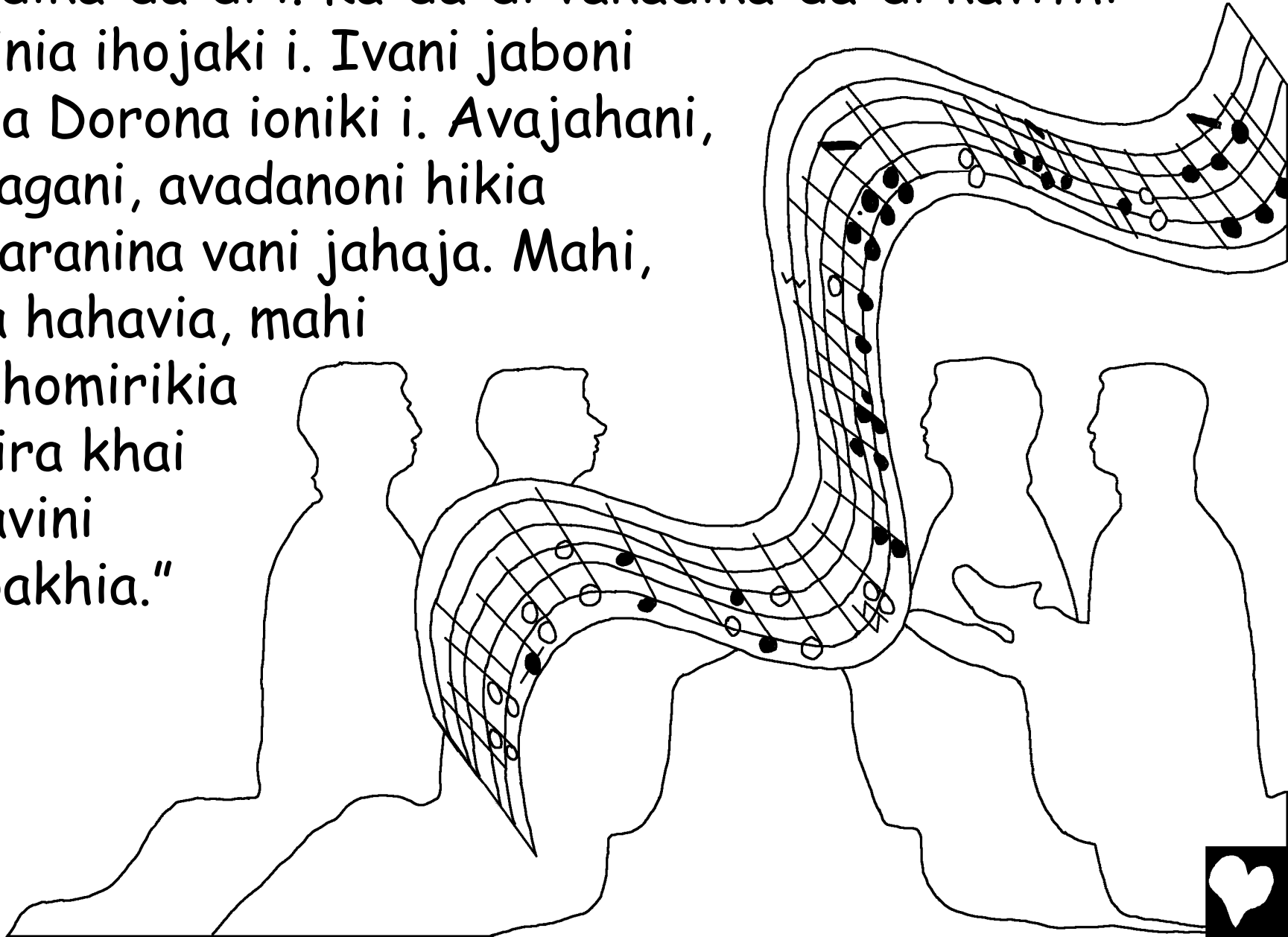
Oniaroa, Ma'onahai Jahaki ova'i-ra  
nahonariahihi'aha. Onoki'aha ada ka'da'di  
vakadika'da'di Deus ibavia ka'da'di kavithi  
ibavinia vithina.



Oniaroa, okamitha'iki ida Deus kamonahi hahavi  
vaahiana. Vaahiaki adani nama vahojaki, arabo  
hahavi vahojaki, ija'ari kohana  
vaibavia vahojaki, 'dako karaho  
kajokiraki afohahavi, vainia  
afohahavi vahojaki jaboni,  
hahavi hokiki Deua  
binamonahaki  
vaahiaki adani.

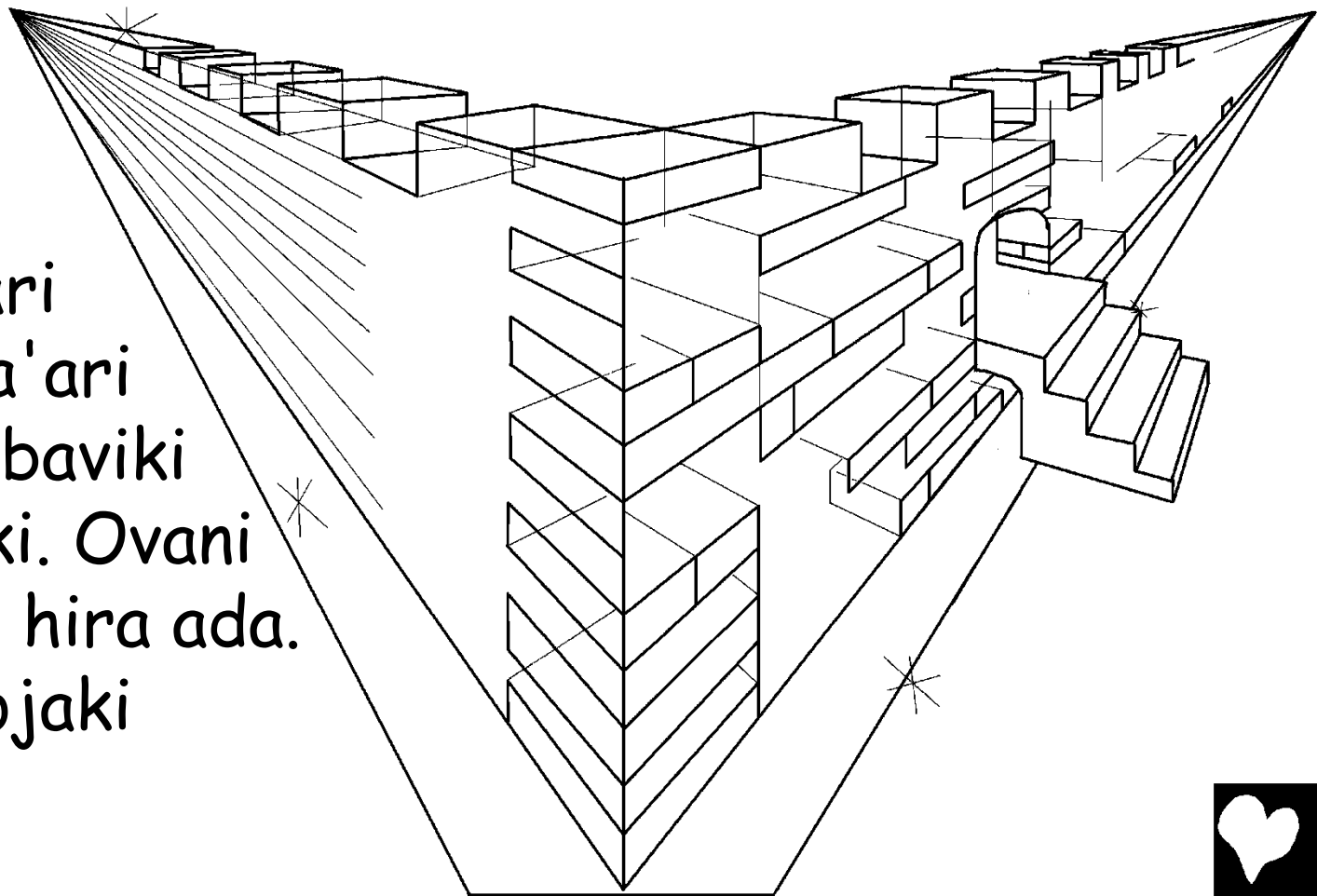


Khanimanira ada vakadimoro kaathi: "Ivani ka'da'di  
vakadika'da'di i. Ka'da'di vakadika'da'di kavithi  
ibavinia ihojaki i. Ivani jaboni  
Ovilia Dorona ioniki i. Avajahani,  
avavagani, avadanoni hikia  
akavaranina vani jahaja. Mahi,  
joma hahavia, mahi  
anokhomirikia  
a'onira khai  
ani'avini  
afobakhia."



Onokiki ida Sidaji Jahaka' oaki Jerusalém sidaji ja' dini oniki. Deus kania nama gaari' ihi arabo. Ima' inavi kidimakhira kaikahina viaha abononi nabaroki fori hiki ida sidaji nokiani jahani. Okamithaki ida athii 'baraki ka' da' di vakadika' da' di kavithi ibavini kania:

—Vada va' ora vani' a, ibaviki ada Deus ija' ari vakadiania. Ija' ari Deus kania vaibaviki kidija' ari vihiki. Ovani oa vakadiDeus hira ada. Vahararana hojaki bana ada.



Hari. Deus ibavi kaija'arini hora nanokiahivini hiki jaboni ida vaini. Ija'ari-ra nahokiki fori hiki ida paha, oniani ida kidimahi ananokhomijanarini hija. Ja'di cristal oniki vagani nokiani fori hiki ida paha. Deus, Ovilia Dorona onikia vakadivithi ibavini kani nabo'aniala khaonani'iki ida vaini ka'da'dini kapahani.



Deus jahana binavagaki ida sidaji, oniani ida safini,  
masiko hiki-ra nahojajanarija. Ovilia Dorona onikia  
binavagaki jaboni ida sidaji. Deus vagana oavana  
vaga'ia ida.



Ni-avi' oiki adani ija'ari sidaji bodinia badani Deua bikaramonakia vakabadaniki. Ni-avi' oiki adani ija'ari sidaji bodinia nahina kaipahivahakia vakabadaniki.

Korijanahi abono ni-avi' oiki jaboni.

Sidaji avi' oiki ka'oa hi' adani ija'ari vaonina

Deua binajiri'iki papira kania, hahavi kama' dani viahania.

Ovilia Dorona oniki kapapira ida.



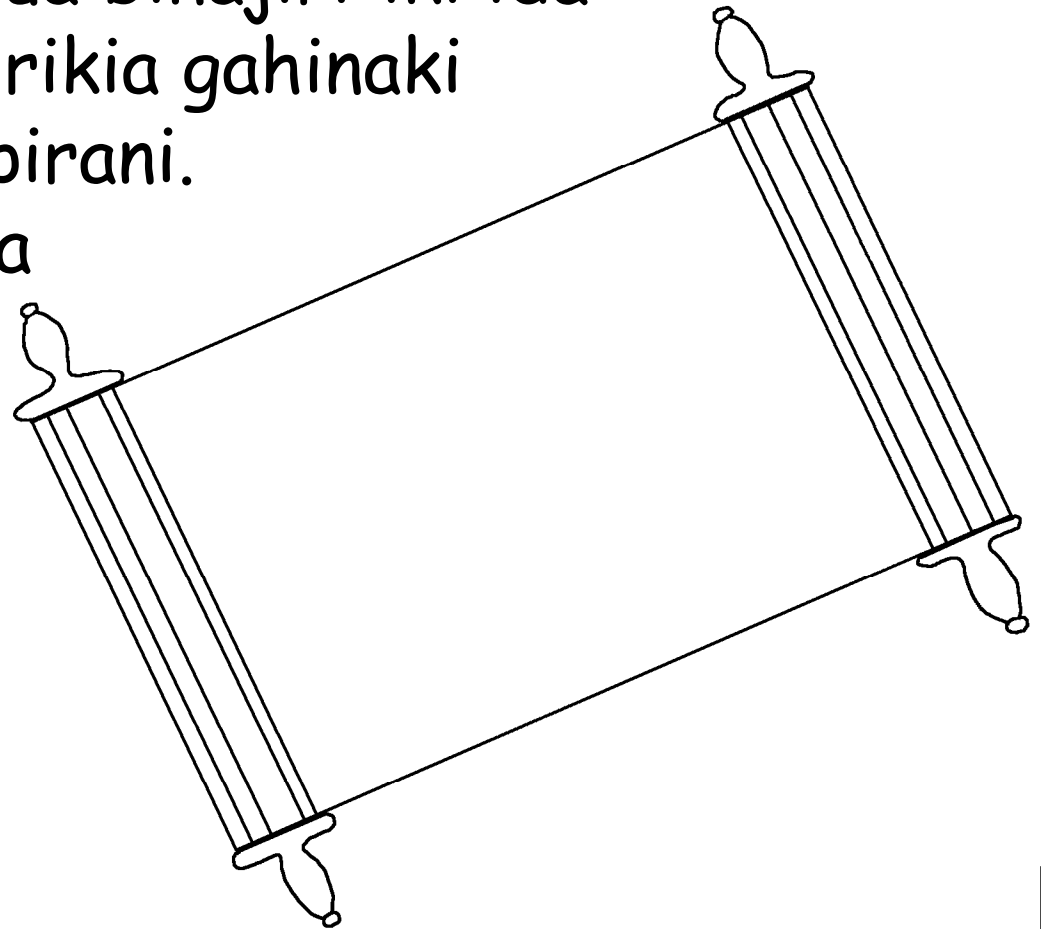
Deua binajohahi ida vanokho a'bani vaasarajanarara  
kaimoni. Ni-ija'ari abinijanaki bana. Ni-ija'ari vava'i  
mokara nijanaki bana, ni-ija'ari asarajanaki bana,  
ni-ija'aria bikamithaki bana ida  
imai 'banani. Hahavi Deua  
binamonahabiinini'iki  
ni-hojajanaki, ihimi'iki  
ida. Ja'dini maina ida  
Deua binamonaha'ia.



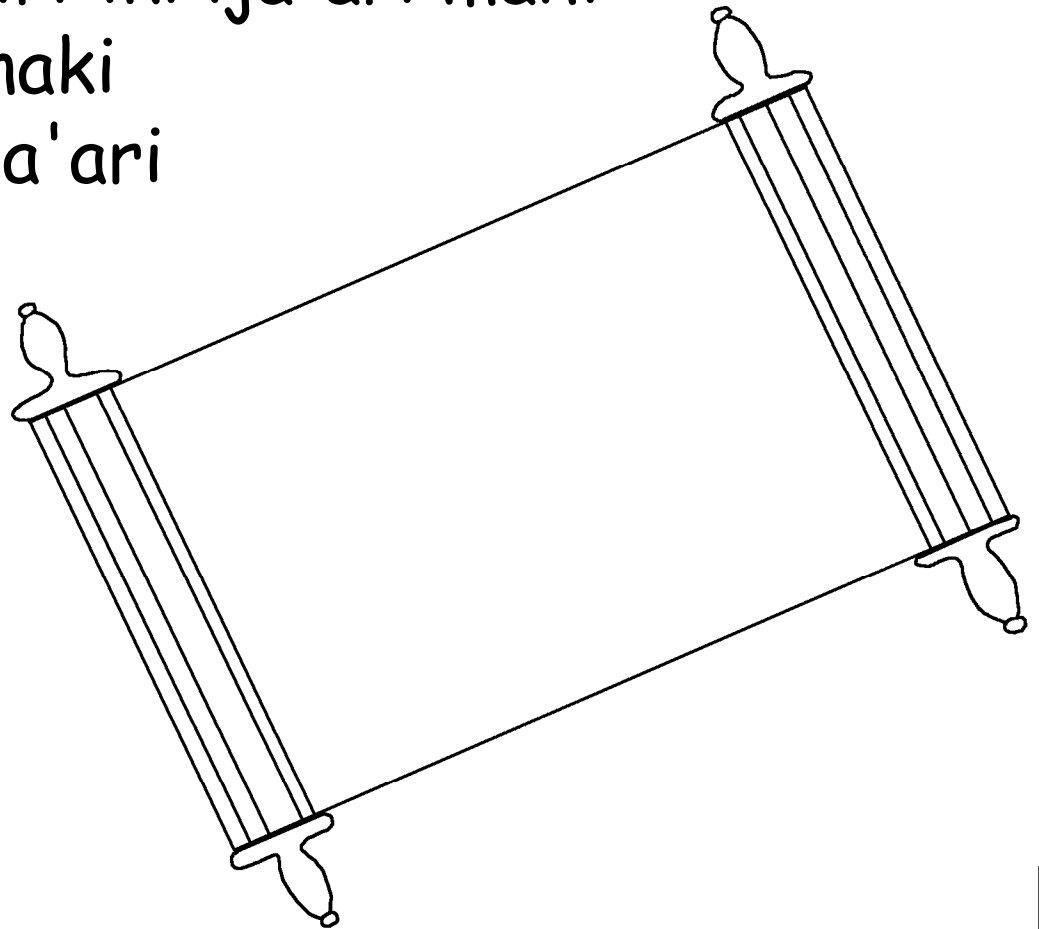
Sidaji bodinia ni-hojaki ida nahina hoarani Deua  
bivajahariki. Sidajia hojaki bana ida Deus kavithi  
ibavini. Deu-ra khai vani'ahaha' oadahaki adani  
kidihonai abono. Va'oaniaroa vanokiki bana ida Deus  
nokho. Deus onina  
jirihananki bana  
vaatha.



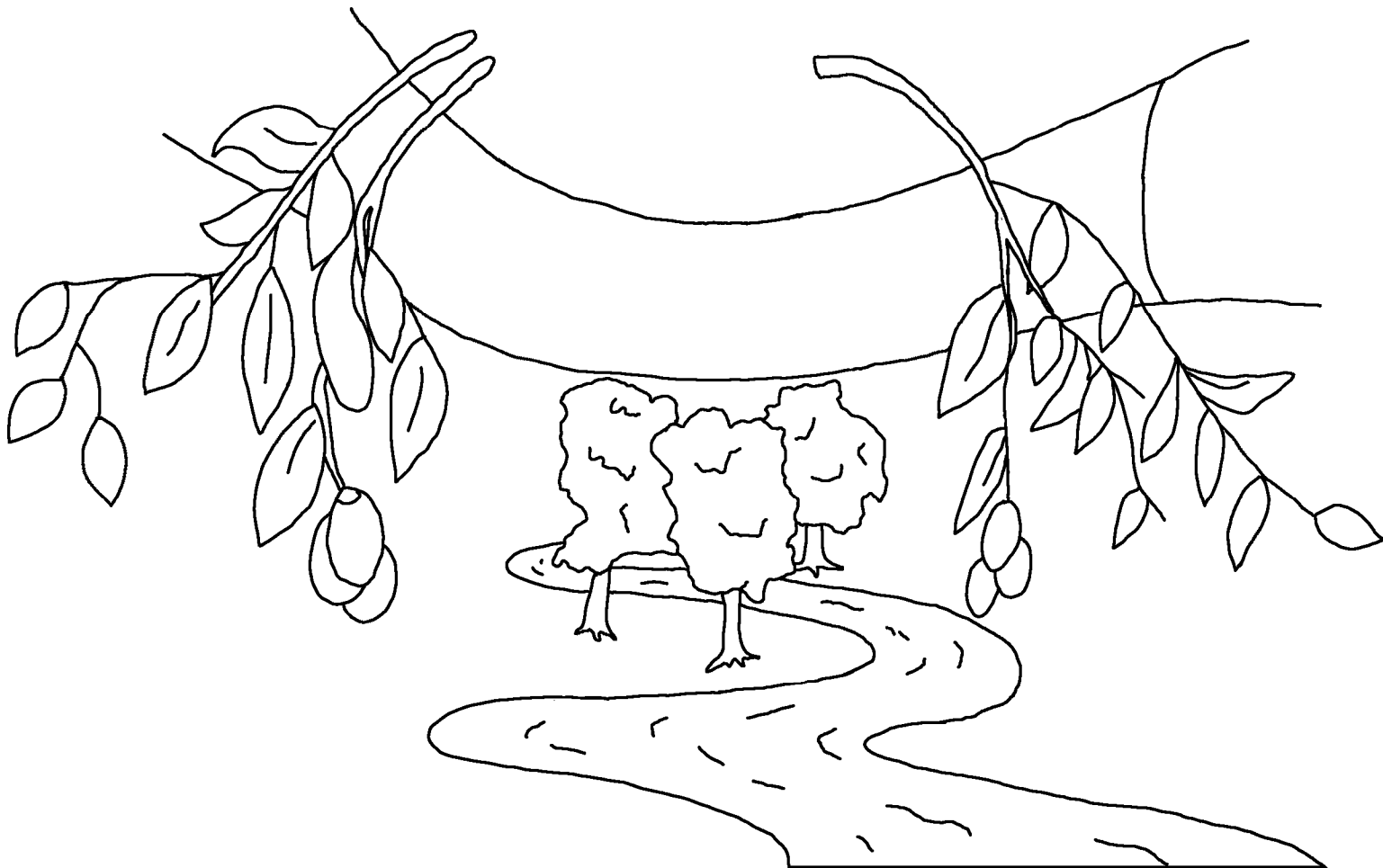
Oniaroa, va'ora onokiki jaboni adani ija'ari kohana.  
Ka'da'di vihiki, ka'da'di vihiriki jaboni, Deus kavithi  
ibavini viahania vigaakosoana afohanana. Oniaroa,  
Deus ibavi kaija'arinia biarabikhahi ida ija'ari onini  
kapapirani ipohiki. Deua binajiri'iki ida  
ija'ari mahi anokhomirikia gahinaki  
kidiania vaonina kapapirani.  
Deus ibavi kaija'arinia  
biarabikhahi ida  
papira hoariha.



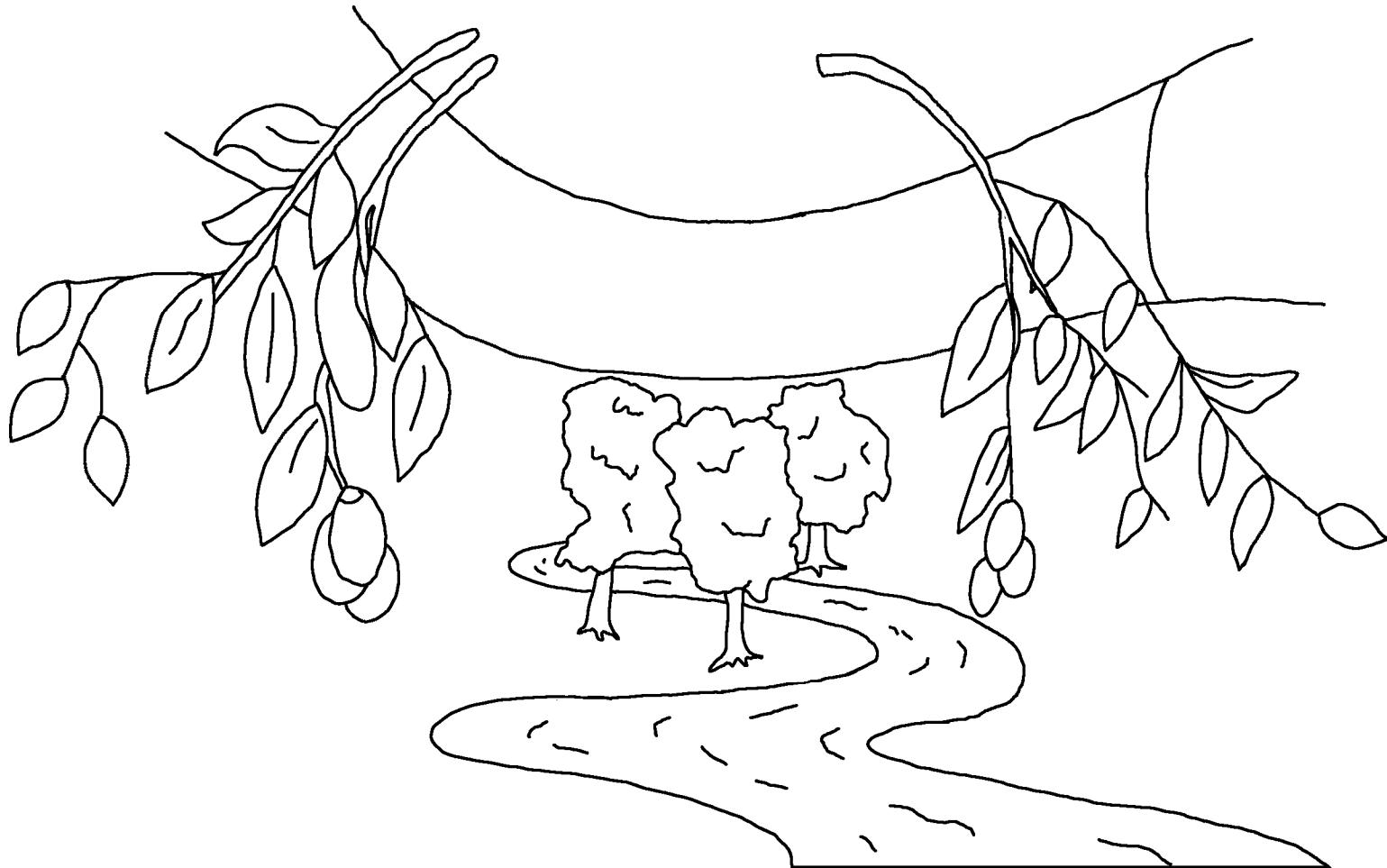
Papira jiriki kania hoja'iki ida ija'ari vakadihojai,  
vakadivarani, vakadibadani hiki hahavi vanamonaha'iki  
vaabinirina oadani, oniani ida hojai abosini-ra  
vagathanihanavini hija. Hari. Oniaroa, vada bini'ahi  
ida papira Deua binajiri'iki ija'ari mahi  
anokhomirikia vagahinaki  
vaonina kapapirani. Ija'ari  
vaonina hojahi; Deus  
kania avikhaha.  
Ija'ari vahoariha  
vaonina hojarihi;  
enxofre ka'dakoni  
ha'diki kania  
vahokahiha.



Hari. Ma'onahai Jahaki, Deus kaija'ari khama  
vani'aha: —Hida kha'a bana akadiania! Ija'aria  
bikamithaki hida hihida papira athini niha bana  
jaboni: —Hida kha bana akadiania!



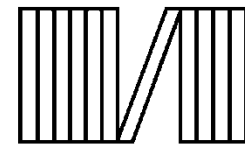
Hari. Ija'ari hana hini kanabidini akaaforahi, khava  
bana kodiania mahija paha-ra i'avivini. Ija'ari hana  
hinia binofihi; bigathaniki ida paha abosiriki.  
Ija'ari kamahi ananokhomijanariki fori hiki  
hida hihida paha ono'avini hiki.



Deus va'ora nakaidivavini arafiaki  
adani ija'ari hahavi, oniani ida  
kidisai-ra karonavini hija  
vakadiania. Hoarana  
ada Deus kaisai.



60



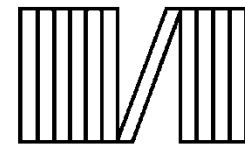
60



Ija'ari Deus kaisai kania abononi  
gahinai nihahi; mahi ja' dini  
anokhomiriki-ra vahojahi Deus  
kania. Ni-Deus kahagihi-ra  
anakamadaki ida ija'ari, ni-Ibavi  
Jaharika'oakia  
okhaki.



60



60



### Romanos 3:23

Ija'ari Jesus Cristo-ra vakaijokavini mani ida Deua kidimahi sohika'oani bikahivini hija, oniani ida bikapoarivini hija. Deua binasohika'oaki ida Cristo-ra vakaijokaki kamahi hahavi. Nimana ida ija'ari hahavi-ra va'ora nahojavini. Ija'ari hahavi, judeus kaija'ari vihiriki, judeus kaija'ari vihiki, hahavia bada vani'aki ida hojai Deua bivajahariki. Ija'ari hahavia varagariki ida Deus jahana, danona, vagana-ra vavahojavini.

### Romanos 6:23

Abosiki bana ida hojai asohiriki. Hojai Deua bivajahariki abosini ida ija'ari abinini kamahini Ibavi Jaharika'oakia okhani. Ni-abosiki ida Deus haria kajoamoravini. Deua bino'a'iki ida ija'ari bikajoamora'iki kidimahi jahaki, ja'dini, anokhomirikia. Akadika'da'di Jesus Cristo kania akaramisiki ida ija'ari.



## Hebreus 9:27

Ija'ari hahavi hoarani ja abiniki hida arabo. Abinini naothinia Deua binava'isohinanaki ida ija'ari hana hini sohika'oaki viaha, ija'ari hana hini hojai asohiriki abosini-ra gathaniki kaimoni.

## Eféios 2:8,9

Deua binofiki ida a'onira va'adivini, oniani ida a'onira akava'ijoavini hija. Deu-ra avavakaijoka'avini mani ida a'onira akava'ijoavini hija. Ni-avakadibadani jahaki abosini hirihi hida a'onira akava'ijoavini. Deus oavani a'onira akava'ijoa'ia. Avakadibadani jahaki abosini hirihi ida a'onira akava'ijoavini Deus ibavia avarikhaja kaimoni. Ni-asohiki ida ija'ari abononi vaboraborahavini kavaranihia abononi akava'ijoavini.



## Romanos 10:9,10

Iva'ini bodinia ikajari' darihi ida Deus Jesu-ra anahokivini abini'ina naothinia; vahoariha vaviaha vara ivani'ahi jaboni: —Kodika'da'di ada Jesus — inihi, Deus ira akava'ijoahi. Ava'i bodinia Deu-ra avakaijokahi; binasohika'oahi ida akadimahi; haria kapoariha. Vahoariha vaviaha ajari'darina-ra vara avani'ahi; Deus haria akava'ijoahi.

## João 3:16,17

Deus va'ora nakaidivavini arafiaki adani ija'ari hahavi, oniani ida kidisai-ra karonavini hija vakadiania. Hoarana ada Deus kaisai. Ija'ari Deus kaisai kania abononi gahinai nihahi; mahi ja'dini anokhomiriki-ra vahojahi Deus kania. Ni-Deus kahagihi-ra anakamadaki ida ija'ari, ni-Ibavi Jaharika'oakia okhaki. Deua bikaronaki ada kidisai ija'ari hahavi-ra akava'ijoara kaimoni. Vakadihojai asohiriki abosini-ra vagathanivini kaimoni hirihi ida kidisai-ra karonavini hija.



## 1 João 5:11-13

Nimania hida Deus athi haria nava'isohivini hi'iki: Deus haria no'avini hi'iki ida mahi ja'dini anokhomiriki kidiania. Deus kaisaia binakama'da'iki ida ija'ari kamahi ja'dini anokhomiriki. Ija'aria bivahojaha ada Deus kaisai, kidi'aihotahi abono hina, bivahojahi jaboni ida mahi ja'dini anokhomiriki. Ija'aria bivahojariha ada Deus kaisai, kidi'aihotahi abono hina; ni-bivahojaki jaboni ida mahi ja'dini anokhomiriki. Hari. Deus kaisai-ra avakajari'dariki, avakadimoni hida oathi onajiriki, avarigaja kaimoni ida avakadimahi ja'dini anokhomiriki-ra avavahoja'avini, oniani ida Deu-ra avanamaakarivini-ra avifiniravini hija, vara avani'ara kaimoni. Deu-ra akanikhariavini hihi ida nahina haria no'avini hini binofiki; aogajahakihi ida akadikanikhari-ra kamitha'avini.



João 14; 2 Coríntios 5; Apocalipse 4, 21, 22

Storyline by: Edward D. Hughes

Illustrated by: Lazarus  
and Alastair Paterson

Adapted by: Sarah S.

Paumari NT (pad) © 2010, Wycliffe Bible Translators,  
Inc. All rights reserved.

<https://live.bible.is/bible/PADWBT/MAT/1>

©2026 Bible for Children, Inc.

[www.M1914.org](http://www.M1914.org)

[www.bibleforchildren.org](http://www.bibleforchildren.org)

