

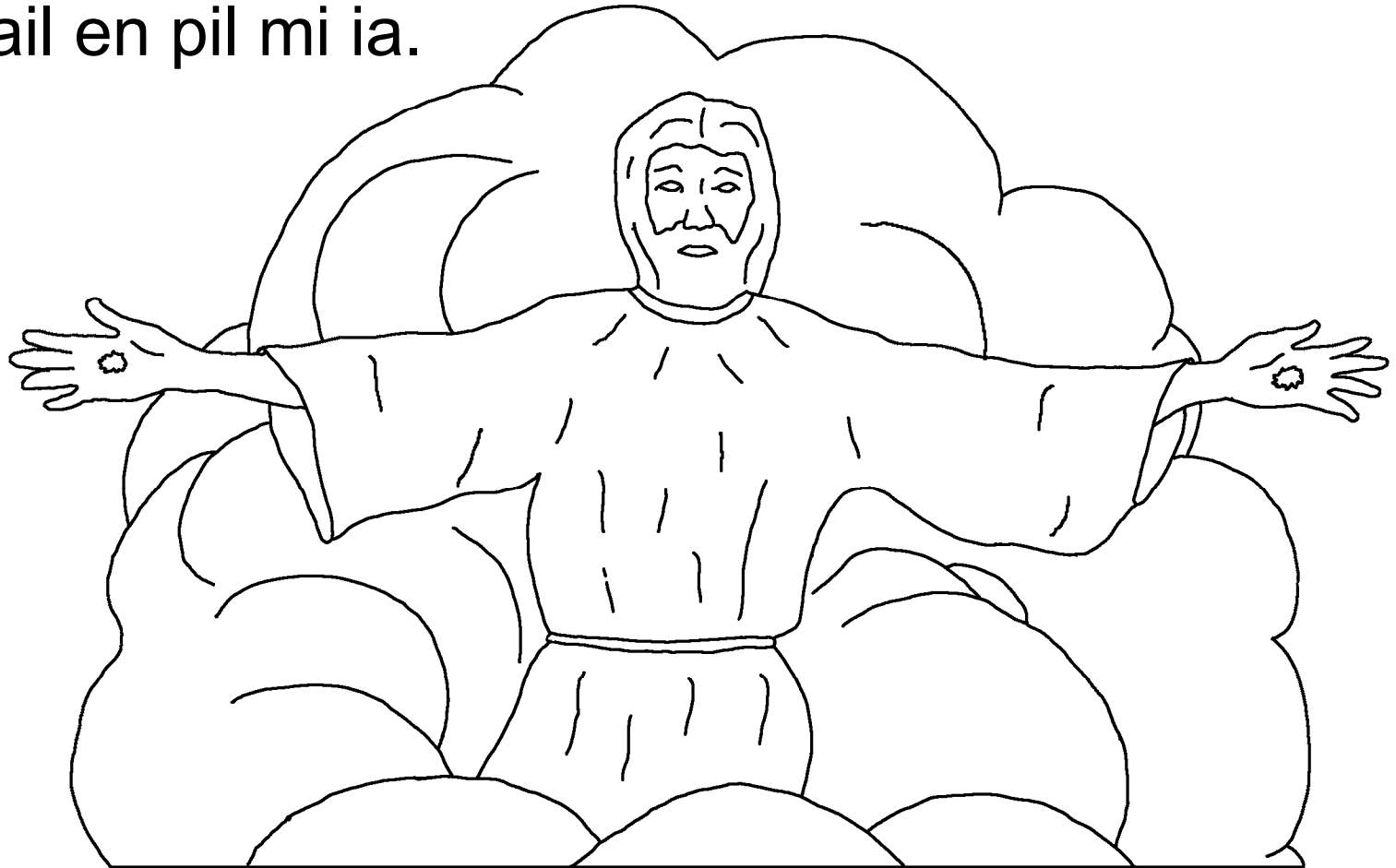
www.BibleForChildren.org



loanes 14

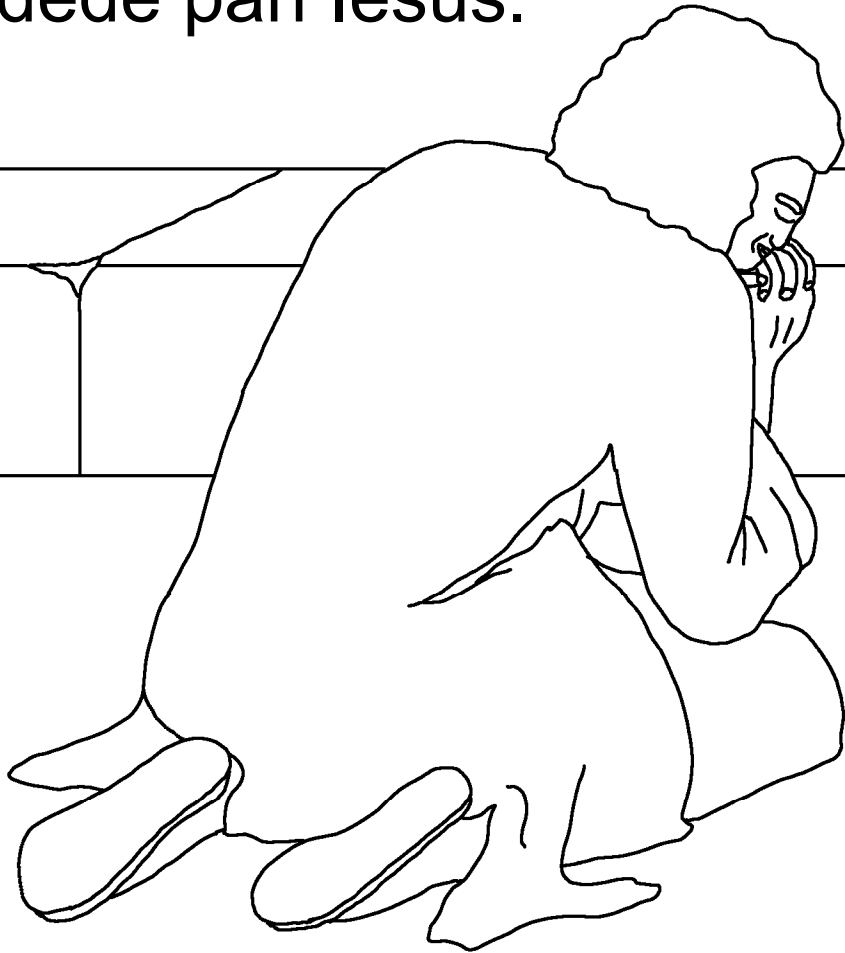


Mongiong omail der padau! Komail kin poson Kot; en pil poson ia! Nan tanpas en Sam ai pera toto mia. Ma so I pan indai ong komail. Pwe I kokolan kaonopada deu 'mail, Ma I kola kaonopada deu 'mail, I pan puredo, uk komail dong ia. Pwe wasa I kin mi ia, komail en pil mi ia.

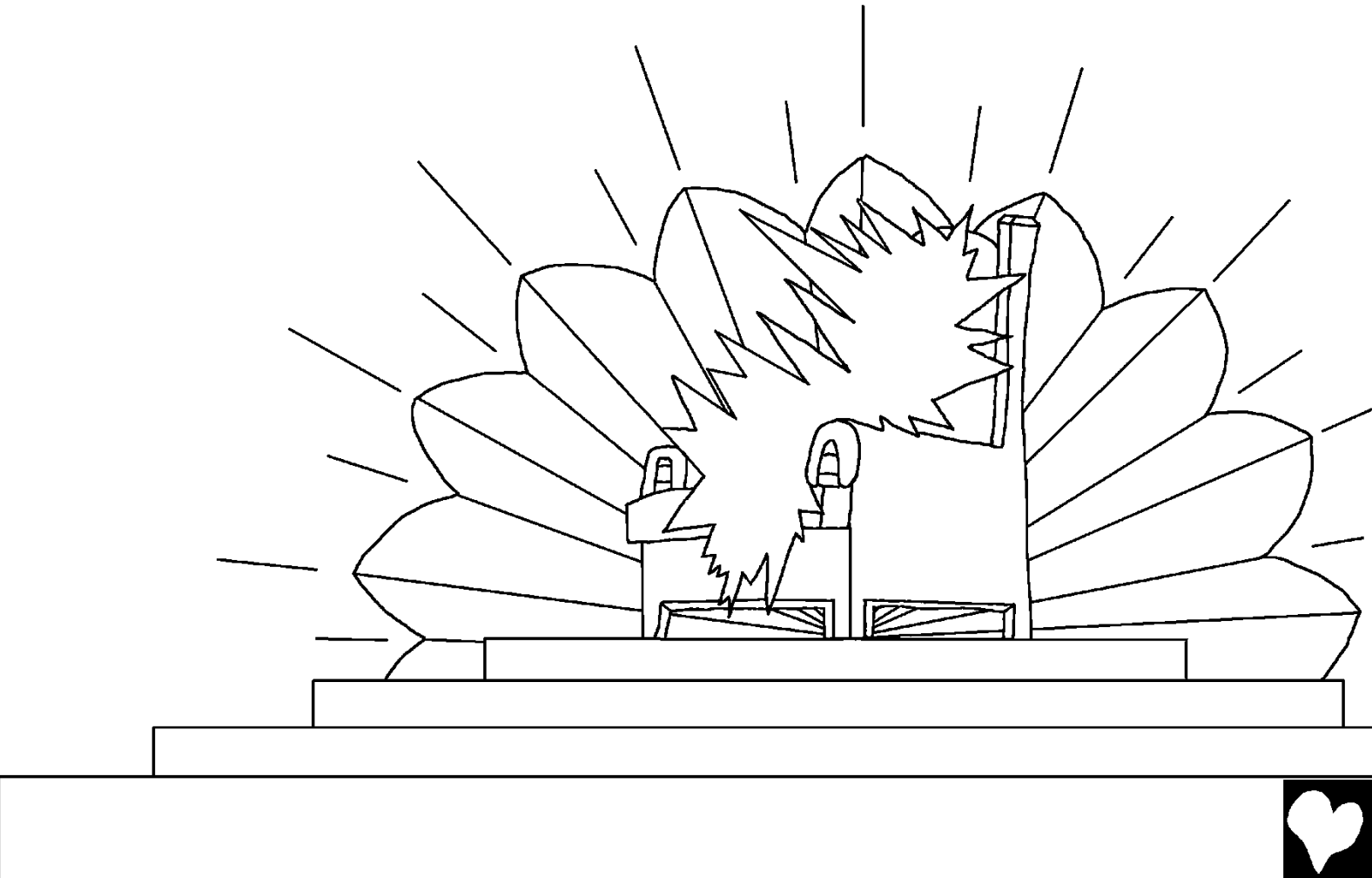


Ngai loanes, ri omail, o omail warok ni kamekam,
o ni wei, o ni atail auiaui Iesus, i lel dong nin
dake o, me ad a Patmos, ki masan en

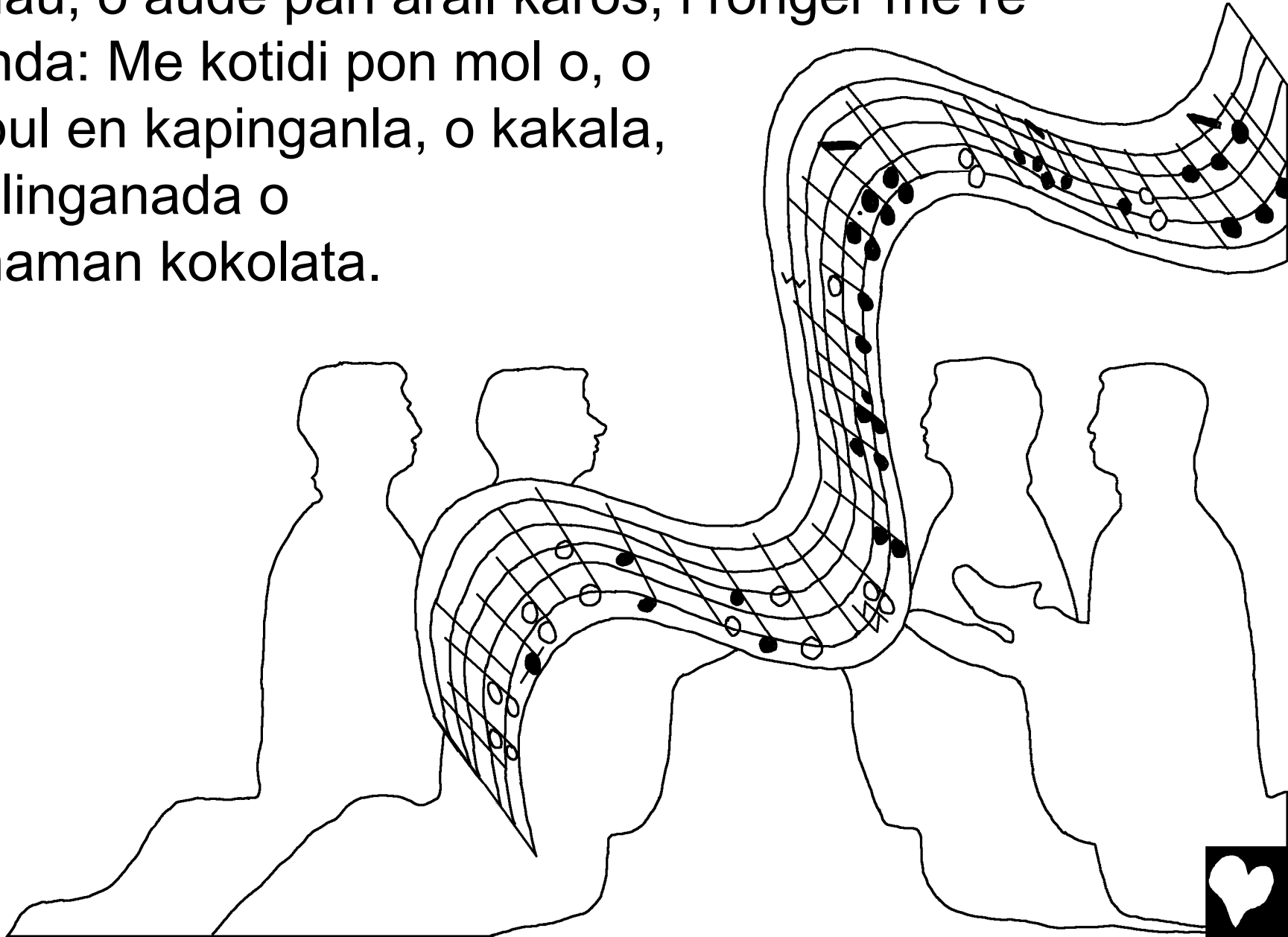
Kot o kadede pan Iesus.



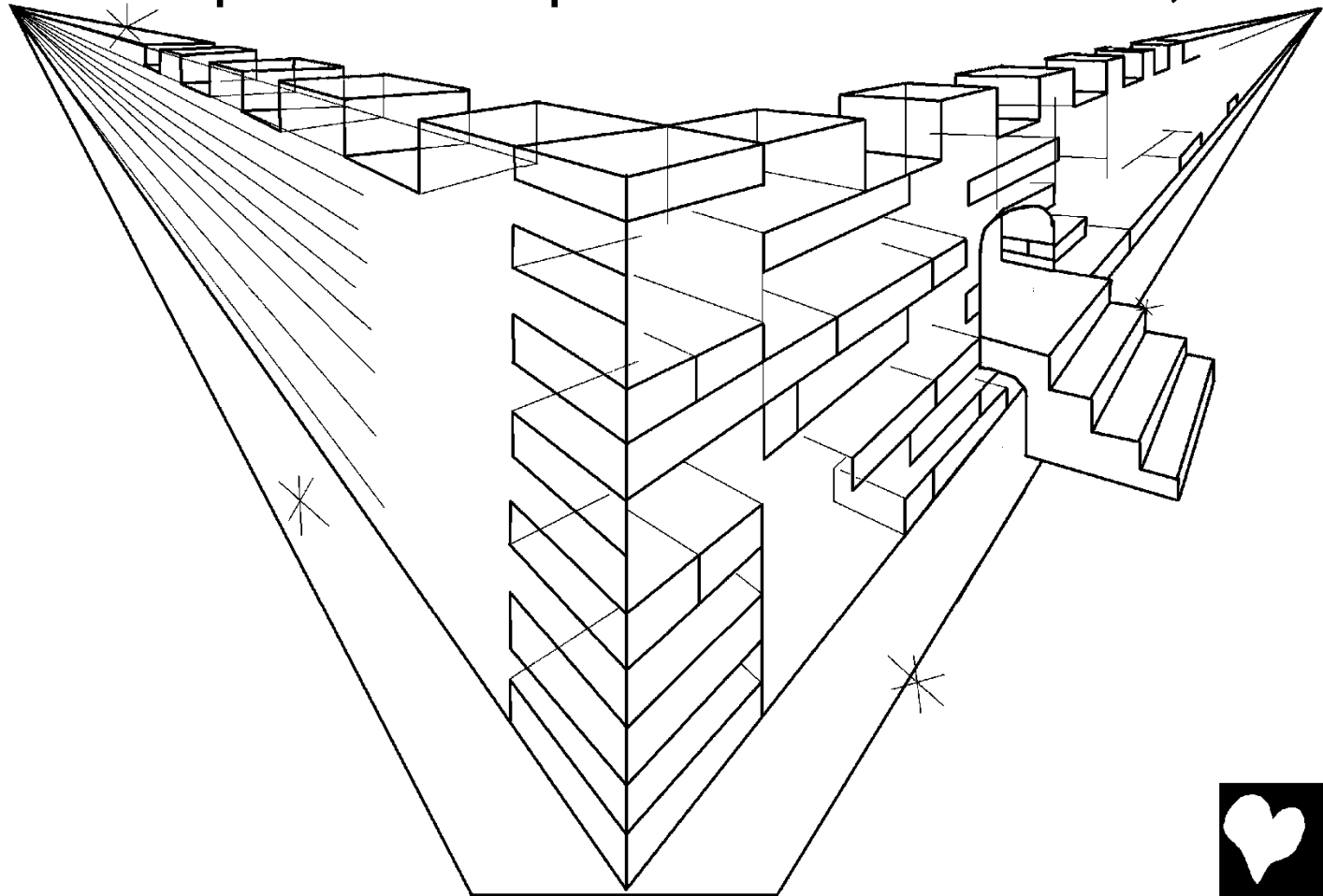
Ngai pitipit katia Ngen. A kilang, mol eu mi nanlang, o amen kotidi pon mol o.



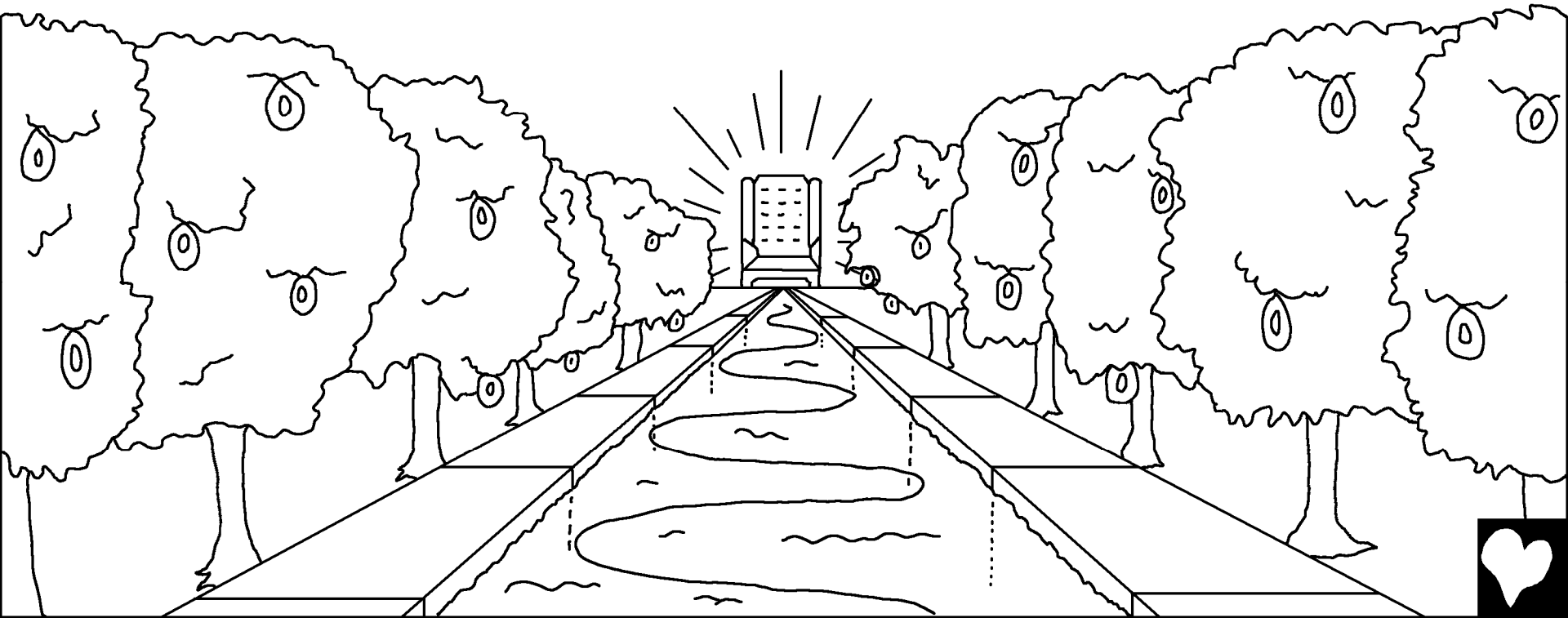
Ir karusia nanlang, o sappa, o pan sappa, o pon
madau, o aude pan arail karos, i ronger me re
indinda: Me kotidi pon mol o, o
Sippul en kapinganla, o kakala,
o kalinganada o
manaman kokolata.



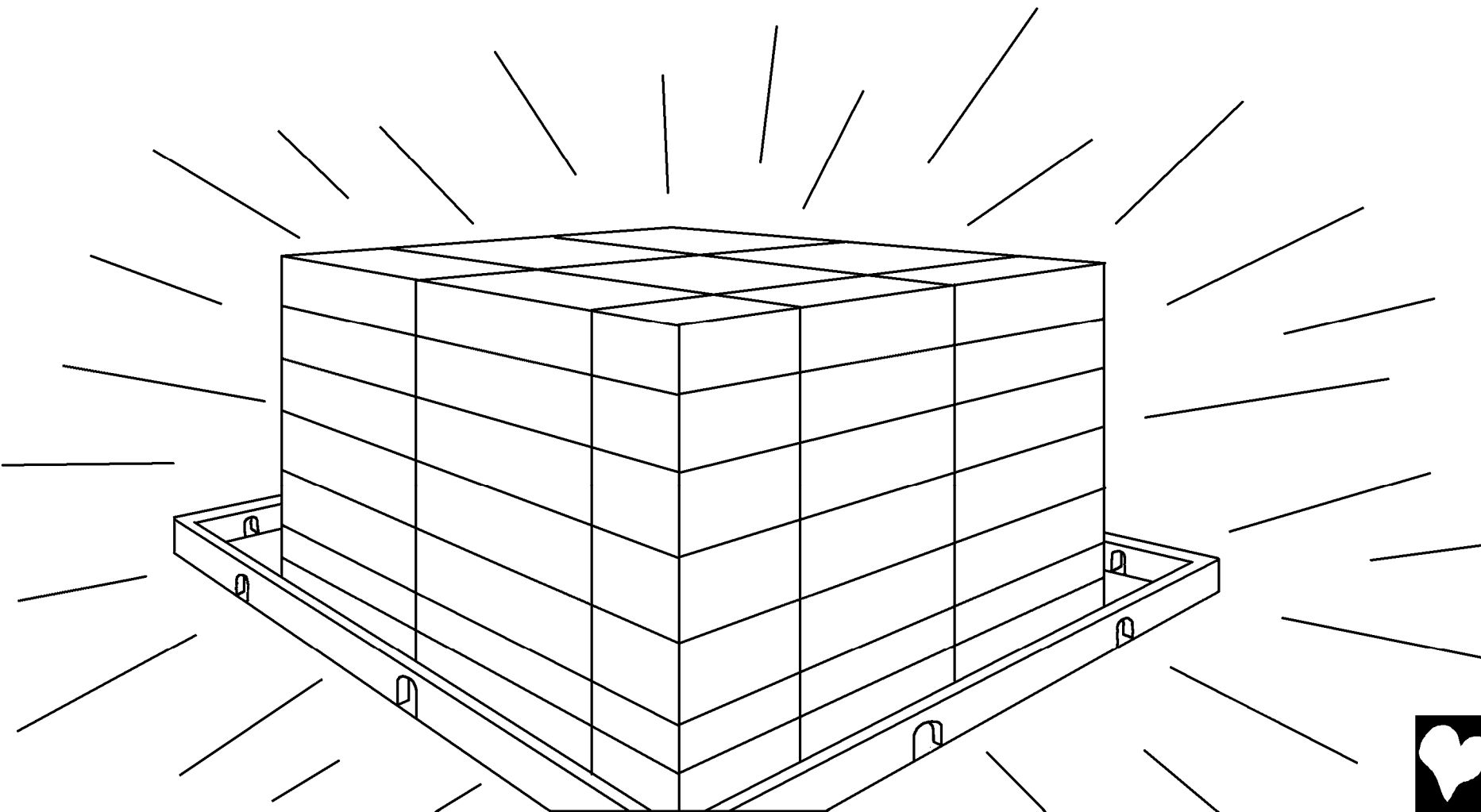
O i kilanger kanim isou, Ierusalem kap, peidido sang lang ren Kot, kapwater due li kamod kapwater ong a paud ol. O i ronger ngil laud sang mol o masani: Kilang, tanpas en Kot mi ren aramas akan, o a pan kotikot re 'rail, o irail pan wia sapwilim a aramas ala, o pein Kot pan kotikot re 'rail.



O A kotin kasale ong ia pilap en kamaur pot,
makelekel due kristal, me u wei sang ni mol
en Kot o Sippul.



O kanim sota mau ong katipin de maram, pwen dakedaker, pwe lingan en Kot kamaraini i, o Sippuliei arail lamp.



Sota me pan pedelong ong me samin, de me kin wia saut, de likam, a irail eta, me mar arail intingidier nan puk en maur en Sippul.



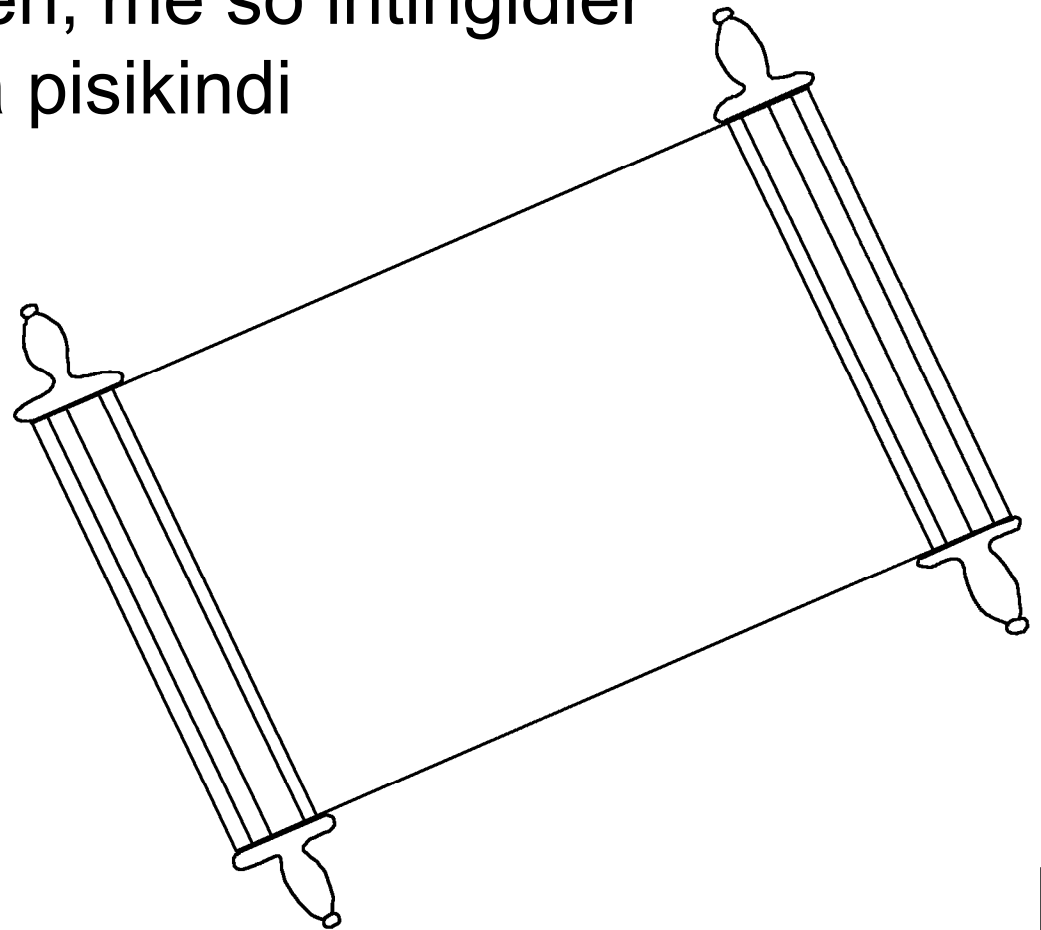
O a pan kotin limwi sang pil en
mas ar karos; o mela pan solar,
pil solar maiei, o solar
sangesang, madak kokolata,
pwe men mas solar mia.



O solar men kariaia kokolata; a mol en Kot o Sippul me
mi lole; o sapwilim a ladu kan pan upa i, O re pan
kilang silang i, o mar a pan mi ni tam ar.



O i kilanger melar akan tikitik o lapalap akan u mon
mol o, o puk kan pak pasanger, o pil eu puk me pak
pasanger, me puk en kamaur. Melar akan ap pakadeik
kidar meakan, me intingkier nan puk kan duen ar
wiawia kan. O meamen, me so intingidier
nan puk en kamaur, a pisikindi
lang le en kisiniai.



Ngen o li kamod masani: Kodo! O me pan rong, en
inda: Kodo! O me men nim, en kodo, meamen me
inong iong, en tungole pil en kamaur sapan.



Pwe iet duen Kot kotin kupura sappa,
me a kotikidoki sapwilim a leros,
pwe karos, me posonla i,
ender salongala, a en
aneki maur soutuk.



Men Rom 3:23

Pwe sota lipilipil, karos me wiadar dip o sota kak konodi
lingan en Kot.

Men Rom 6:23

Pwe pwain en dip mela, a pai en mak en Kot maur soutuk
ren Kristus Iesus atail Kaun.

Men Ipru 9:27

A duen a kileledier ong aramas akan, en mela pan mepak,
a muri kadeik o,



Men Epikus 2:8,9

Pwe ni poson komail kamaur kilar mak; a kaidin pweki pein komail, a pai eu ren Kot, Kaidin ki wiawia kan, pwe sota amen en aksuaiki.

Men Rom 10:9,10

Pwe ma koe pan kadedeki au om Iesus, me i me Kaun, ap poson nan mongiong om, me Kot kotin kaiasadar i sang ren me melar akan, koe ap pan dorokila. Pwe poson kin tapi sang nan mongiong o, pwen pung kila, o kadede kin tapi sang nan au o, pwen maur kila.



Ioanes 3:16,17

Pwe iet duen Kot kotin kupura sappa, me a kotikidoki sapwilim a leros, pwe karos, me posonla i, ender salongala, a en aneki maur soutuk. Pwe Kot me kotin porone dong sappa sapwilim a Ol, kaidin en kadeikada sappa, a pwe sappa en kamauri kila i.

1 Ioanes 5:11-13

A iet kadede o: Kot me kotiki ong kitail er maur soutuk; a i song en maur mi ren sapwilim a Ol. Me aneki Na, i me aneki maur, a me sota aneki Sapwilim en Kot, a pil sota aneki maur. Mepukat i inting wong komail er, pwe komail en asa, me maur soutuk mi re omail, a komail, me poson mar en Sapwilim en Kot.



loanes 14; 2 Men Korint II 5; Kaudial 4, 21, 22

Storyline by: Edward D. Hughes

Illustrated by: Lazarus
and Alastair Paterson

Adapted by: Sarah S.

Pohnpeian NT (pon) Public Domain

<https://www.bible.com/en-GB/bible/3876/MAT.1.PONPD>

©2026 Bible for Children, Inc.

www.M1914.org

www.bibleforchildren.org

