

www.BibleForChildren.org

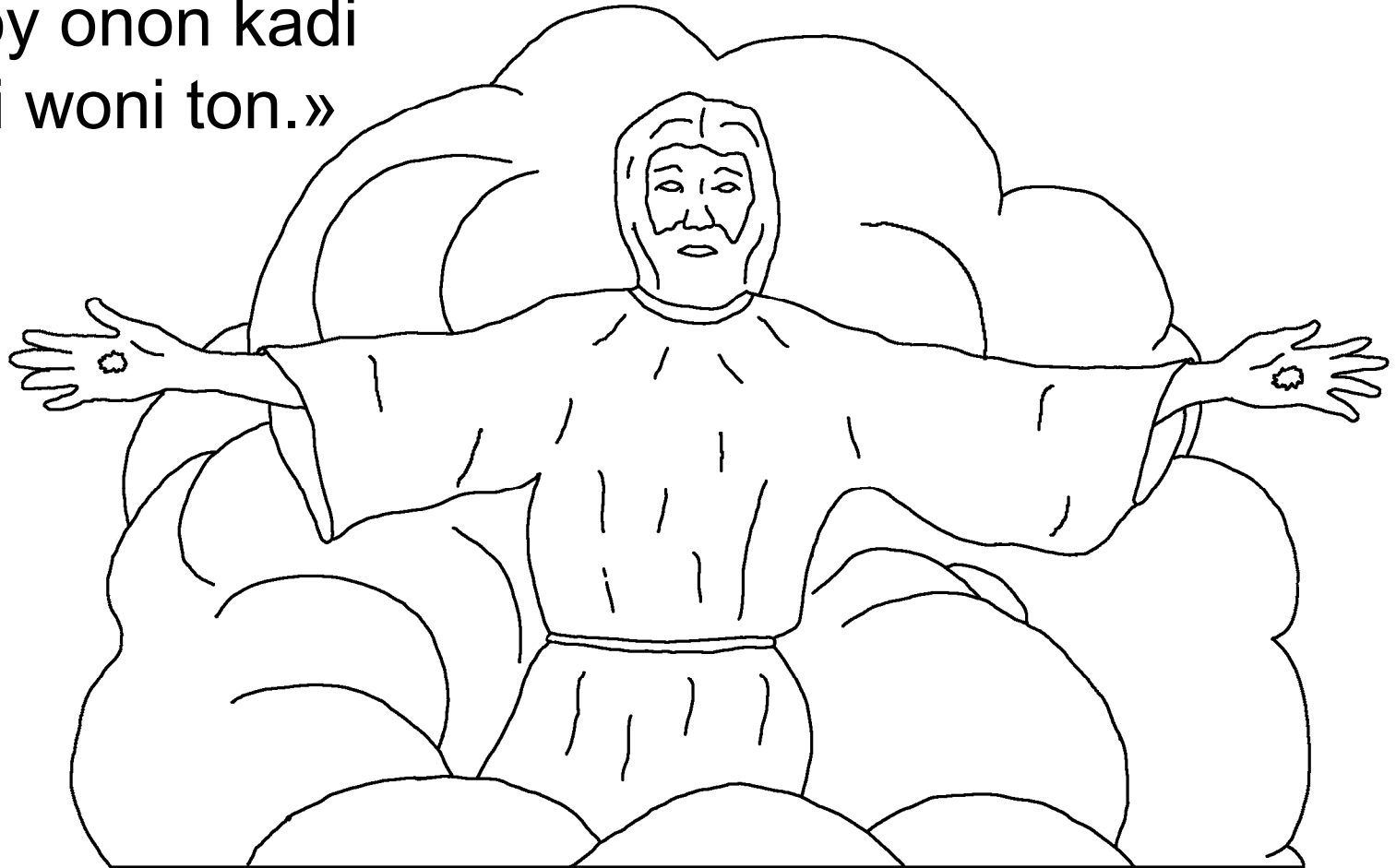


Linjiila

Yuuhanna 14

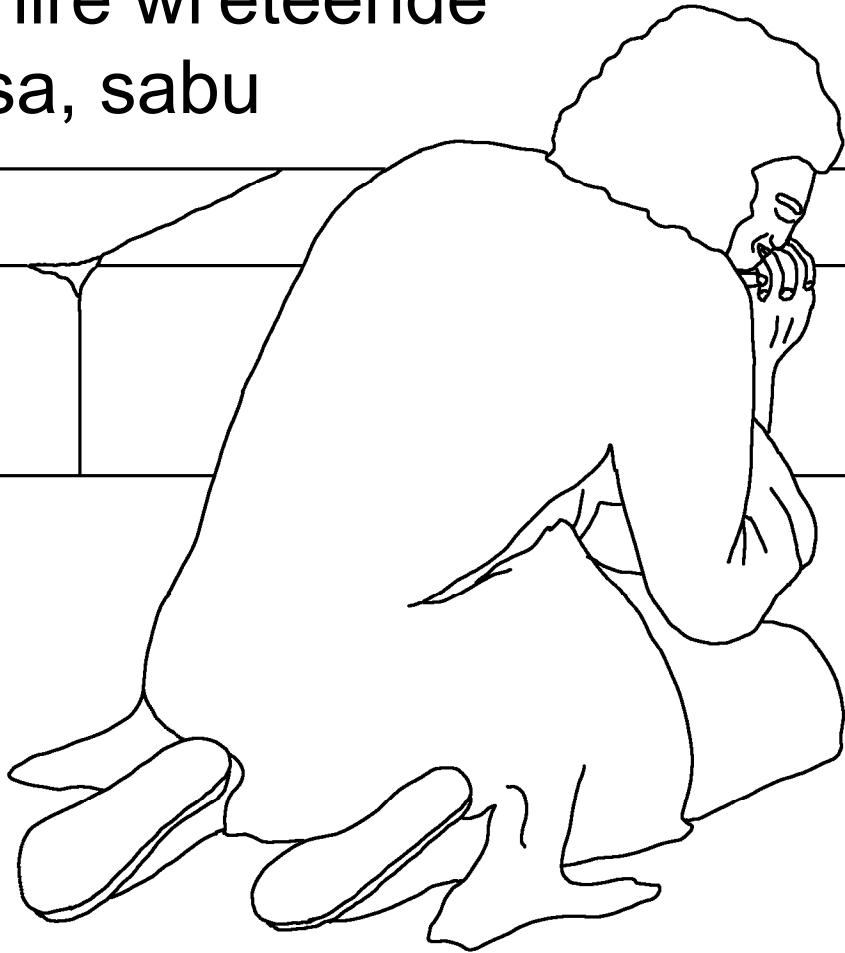


«Wota berde mon den aanu. Gomdinee Alla, gomdinon lan, min kadi. Wonundeeji buy no woodi ka galle Ben an. Si hinaano dun, harayno mi yeetike on, ko fii mido yahude parangol on wonunde. Jooni si mi yahii, mi paranoyii on wonunde nden, mi aranoyay on, fii yo on wonoy onon kadi ka mi woni ton.»



Ko min Yuuhanna oo musiddo mon, tawdaado e
mon e tampere e laamateeri e nannaare e
nder humondiral e lisaa, hari mido e

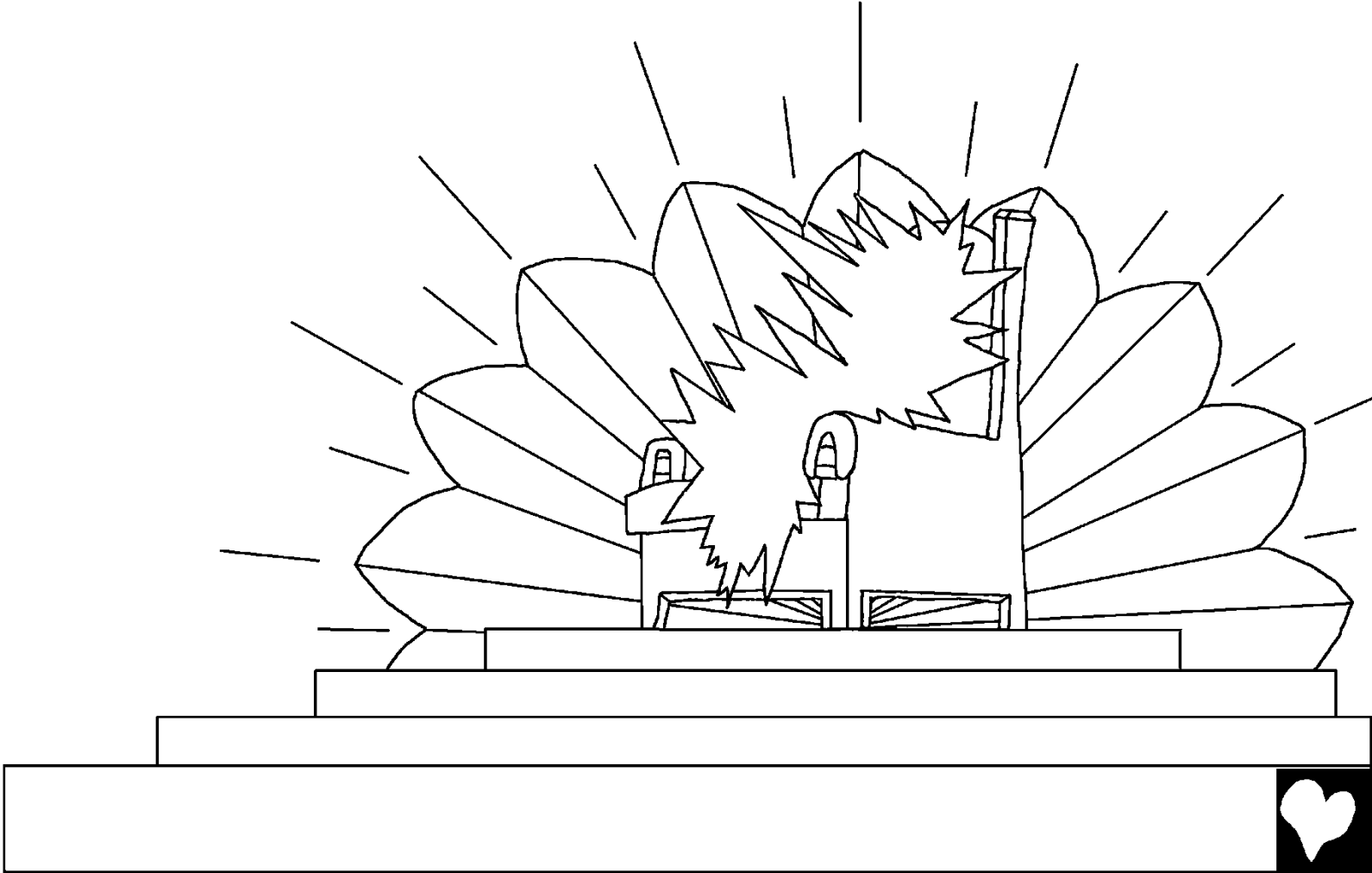
ndee suriire wi'eteende
Patmuusa, sabu



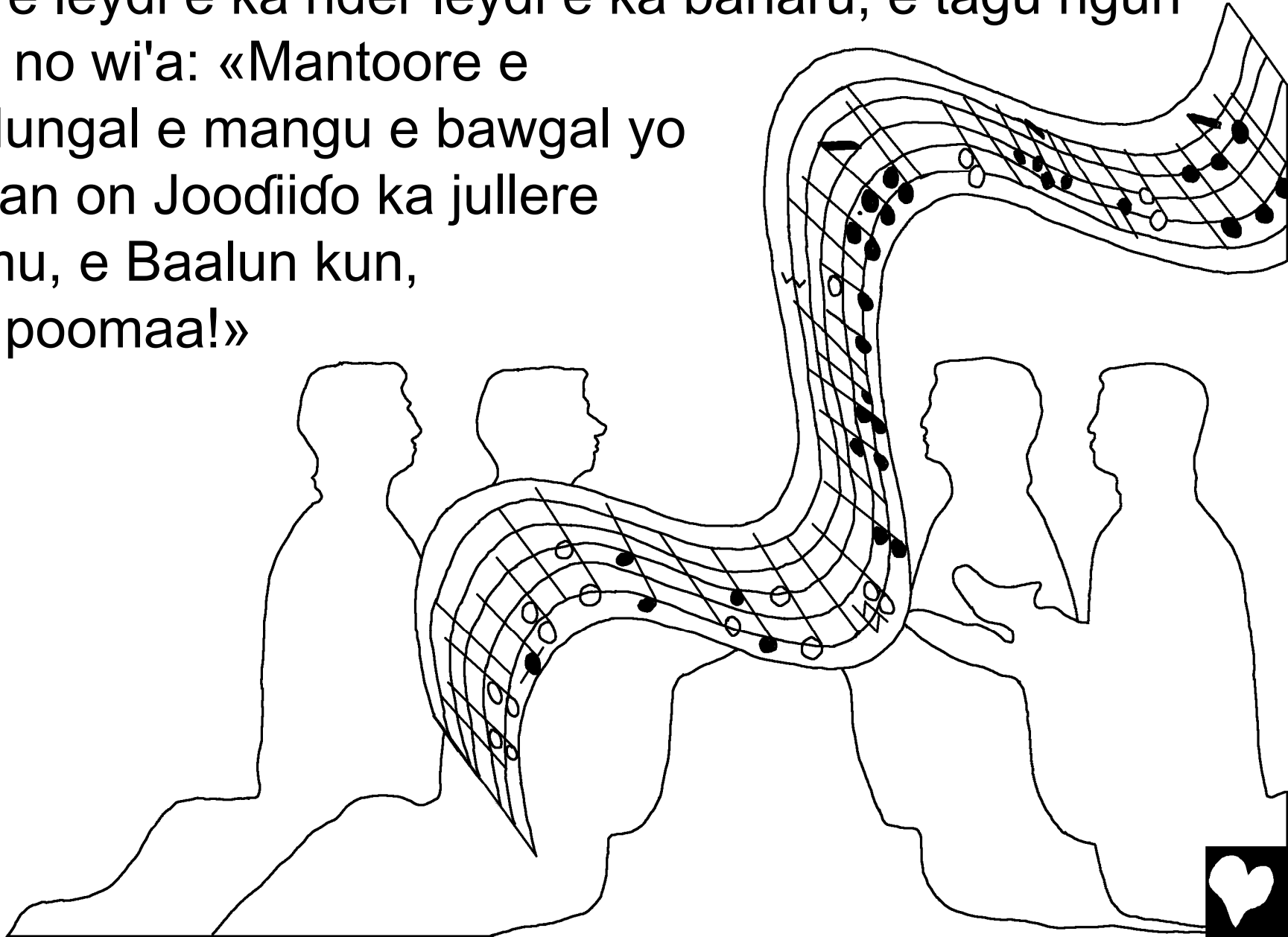
yottingol an daaluyee
Alla on e seeditagol
an fii lisaa.



Tun Ruuhu Allaahu on tippii e an. Onsay mi yi'i jullere
laamu ka kammu, tawi godɔo no joodii e nden jullere.

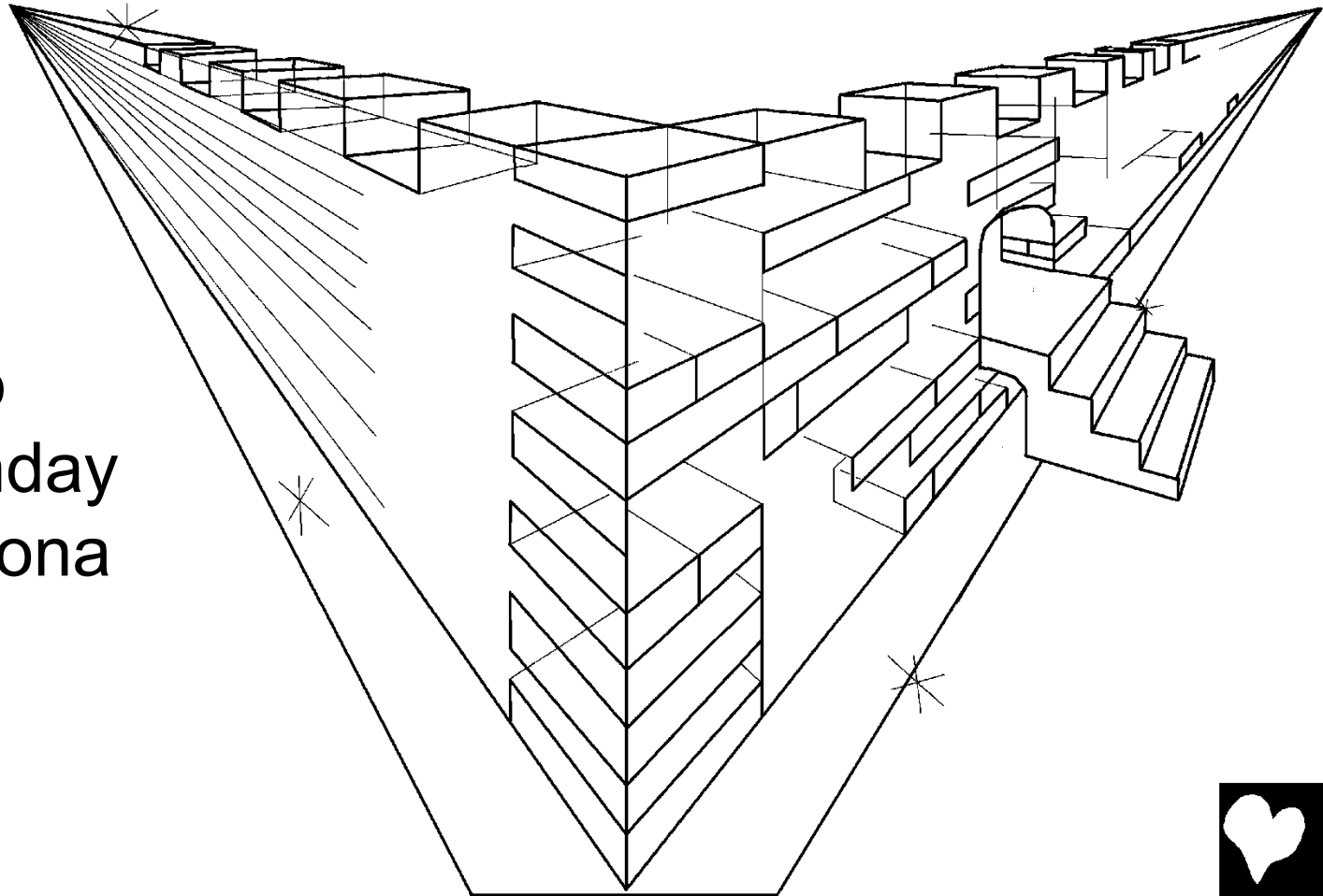


Onsay mi nani kala ko tagaa, ko woni ka kammu e ka
hoore leydi e ka nder leydi e ka baharu, e tagu ngun
fow, no wi'a: «Mantoore e
teddungal e mangu e bawgal yo
wonan on Joodiido ka jullere
laamu, e Baalun kun,
haa poomaa!»

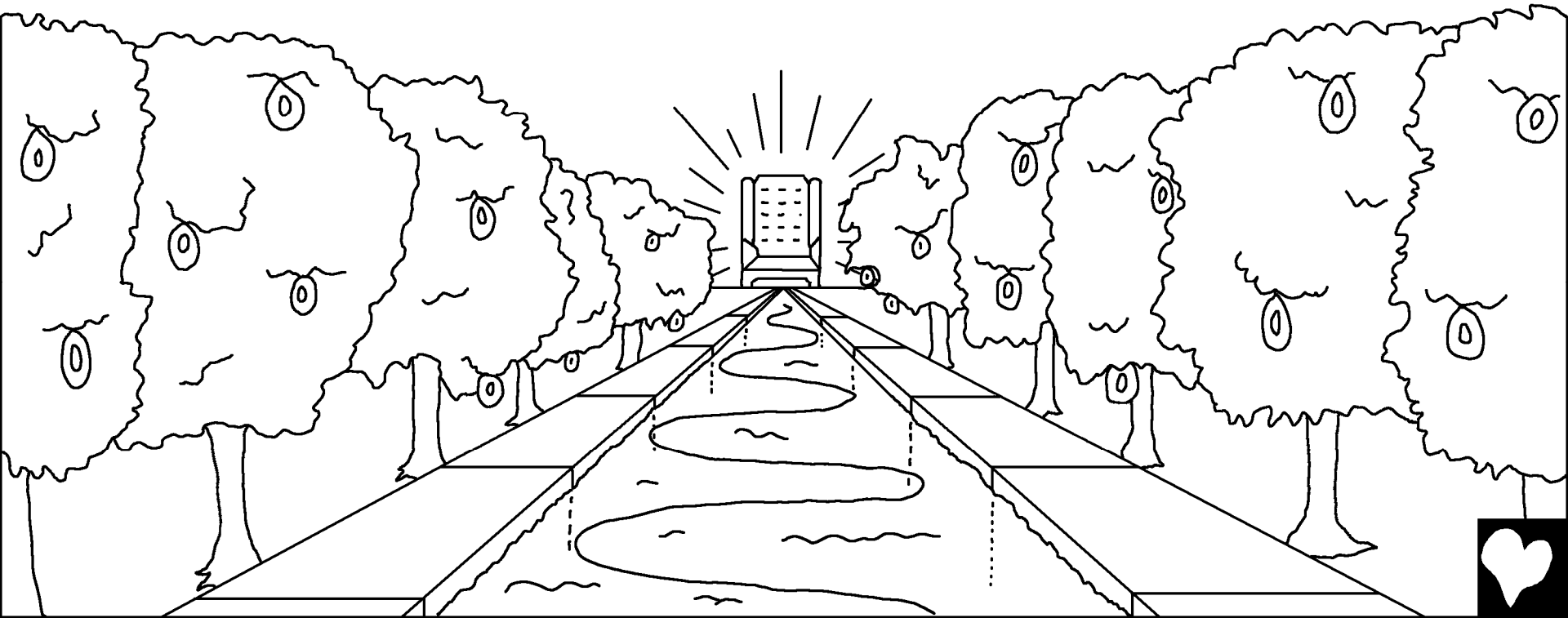


Onsay mi yi'i saare hormorde nden, dɔn ko saare Yerusalaam heyre, no iwra ka kammu ka Alla, tawi nden no pariraa wano jombajjo parirtee fii moodi mun. Mi nani kadi hawa tiiduka iwruƊe ka jullere laamu no wi'a: «Awa jooni wonunde Alla nden no e hakkunde yimbe ben.

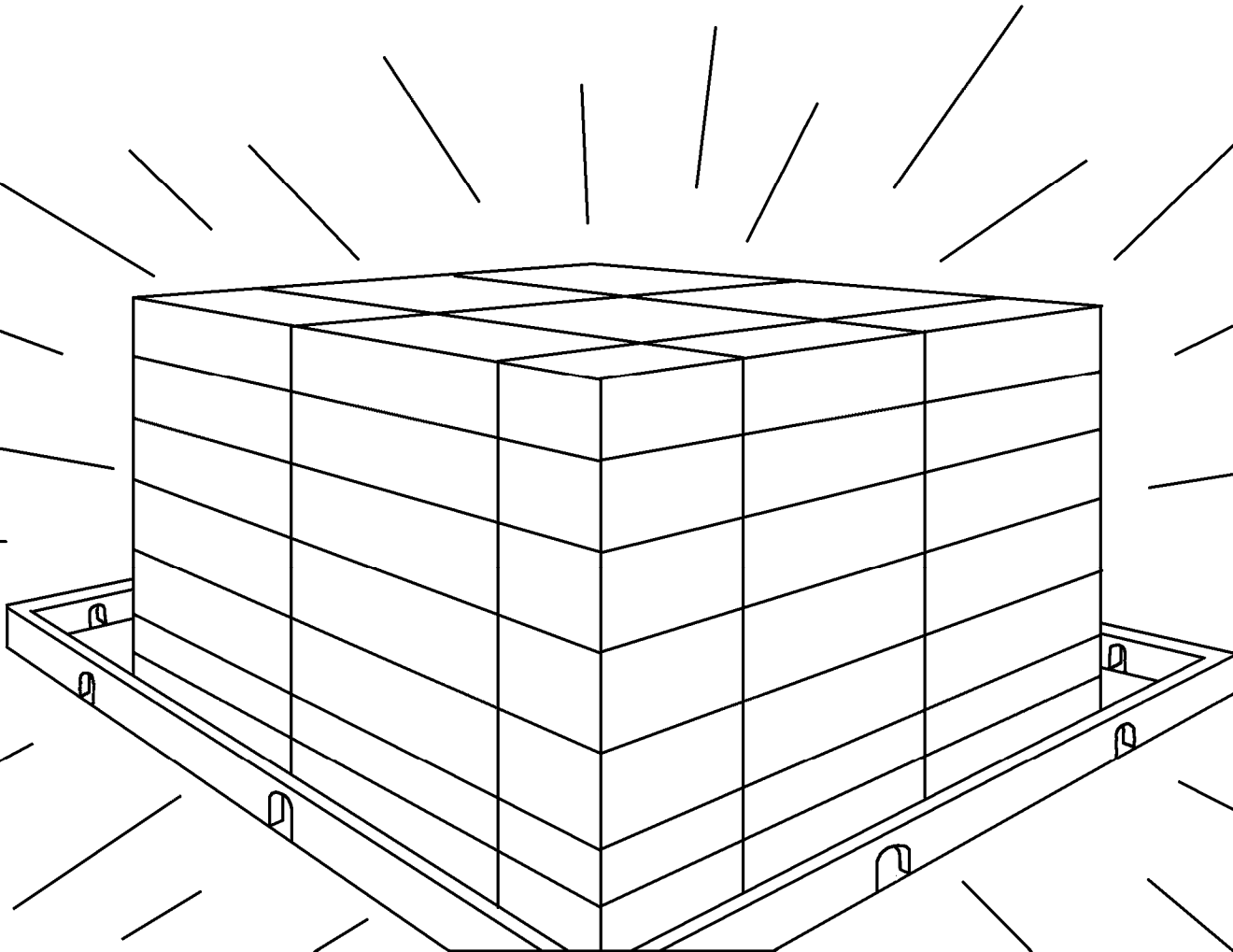
O hodiday e mabbe, be wona jamaa makko, kanko Alla tigi o wonday e mabbe, o wona Alla mabbe.»



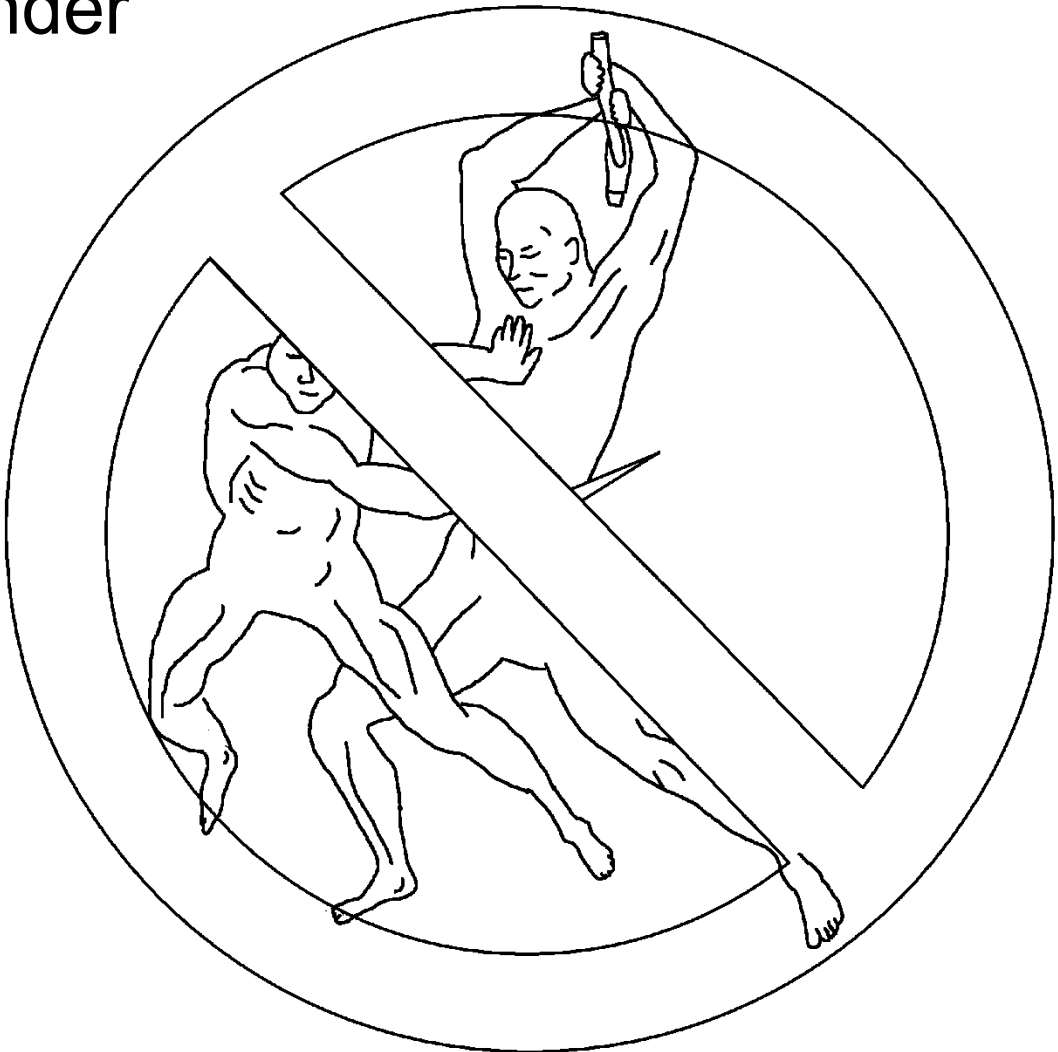
Ontuma malaa'ikaajo on hollimmi kadi maayo ndiyan ngurndan dan ka iwrata ka jullere laamu Alla e *Baalun kun, laabudan jalbiri wa jaaman, no ila ka hakkunde ballaŋal saare nden.



Tawi saare nden hatonjinaa e naange maa lewru ko jalbinana nde, ko fii annoora Alla on no hentini nde, awa kadi Baalun kun ko ndaygu mayre.



Hay fus e ko tuuni e hay gooto wadoowo ko jiddi maa fenaande naatataa don. Ko naatata don woo ko be inde mun windii ben ka nder deftere ngurndan Baalun kun.



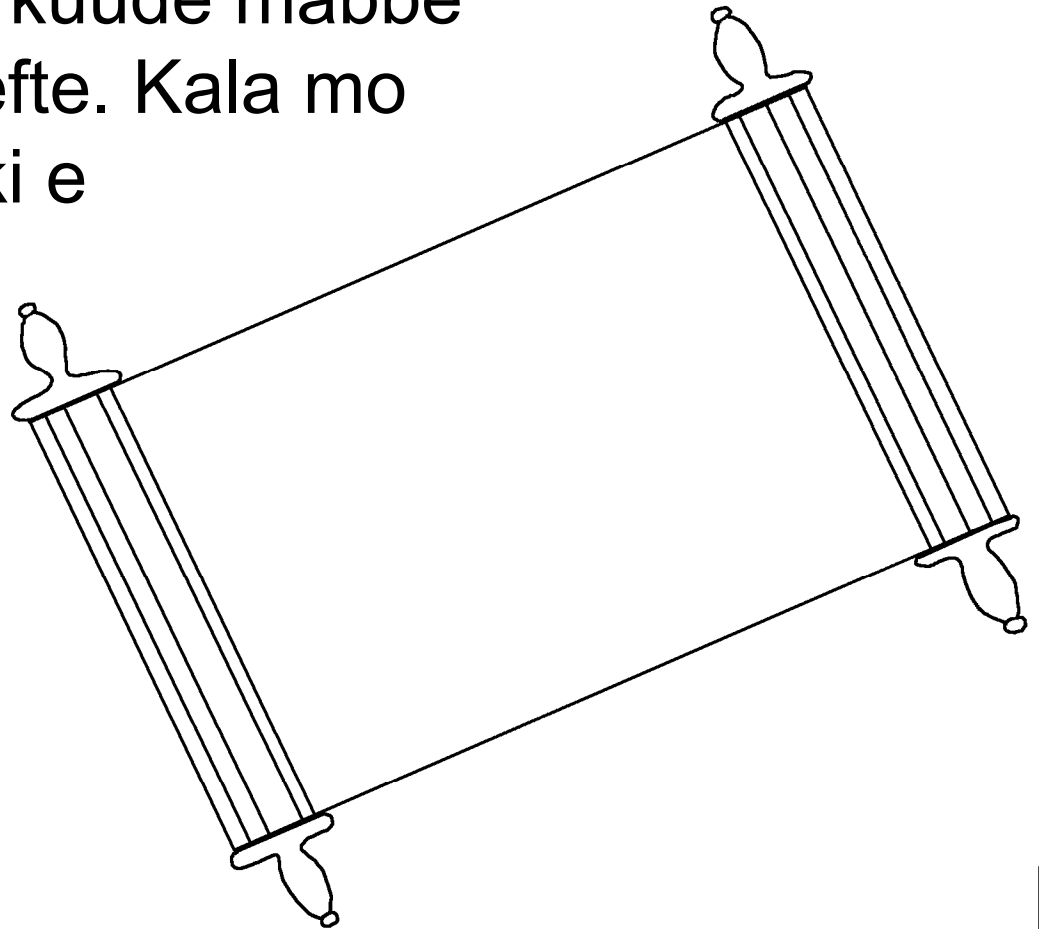
«O fitta kala gongol ka gite mabbe, hara hande kadi mayde waditataa, yoometaake, fesetaake, muuseendi waditataa. Ko fii haray sifa din piiji arani fow feyyiino.»



Haray kuddi alaa hande kadi. Jullere laamu Alla nden e Baalun kun wonoyay e nden saare. Onsay jiyaabe makko ben kurkanto mo, be yi'a yeeso makko ngon, innde makko nden wona ka tiide mabbe.



Mi yi'i kadi maybe ben, tawi ben no darii yeeso nden jullere laamu, dun non ko gila e fandube haa e njandube. Onsay defte udditaa. Bawto dun, deftere goo kadi udditaa, tawi nden ko deftere ngurndan dan. Ben maybe jaawiraa kuude mabbe windiide den e den defte. Kala mo innde mun windanooki e nder deftere ngurndan nden, bugaa ka nder weendu yiite.



Ruuhu Allaahu on e jombajjo on wi'ii: «Aree!»
Awa, on nanudo dun kadi yo wi'u: «Aree!»
Awa mo no dondaa yo aru, on faalaado yo yettu
ndiyan ngurndan dan, hara yobaali.



Ko fii hakkee ko Alla yidi aduna on, o
yedii mo Bidɗo makko bajo on, fii
kala gomɗindo mo wota halko, kono
yo ontigi hebu ngurndan
poomayankejan.



Roomu 3:23

fow wadfi junuubu, be waawataa hewtude mangu Alla ngun.

Roomu 6:23

Ko fii, njoddi junuubu ko mayde, kono dokkal Alla ngal ko ngurndan poomayankejan e nder humondiral e lisaa Almasiihu Joomi men on.

Yahuudiyankeebe 9:27

Nde tawnoo no maranaa yimbe ben maayugol nde wootere pet, bawto dun jaawoore nden wada,

Efeesi 2:8,9

Ko sulfu on dandiradon sabu gomfinal ngal, dun non hinaa e mon iwri, kono ko dokkal Alla. Hinaa sabu kuude den few fii wota gooto mawnintino.



Roomu 10:9,10

wonde: si a qirritorii hunduko maa kon ko lisaa woni Joomi on, e si a gomɗinii ka bernde maa wonde Allaahu on immintinii mo e hakkunde maybe ben, a dandete. Ko fii ko bernde nden gomɗinirtee, ontigi jogoree wa feewudo, ko hunduko kon qirritortee, ontigi dandee.

Linjiila Yuuhanna 3:16,17

«Ko fii hakkee ko Alla yidi aduna on, o yedii mo Biɗɗo makko bajjo on, fii kala gomɗindo mo wota halko, kono yo ontigi hebu ngurndan poomayankejan. Ko fii Allaahu on addaali Biɗɗo makko on e oo aduna fii jaawugol aduna on, kono ko fii yo aduna on dandire sabu makko.



1 Linjiila Yuuhanna 5:11-13

Awa e hino nden seeditoore: Alla okkii en *ngurndan poomayankejan, dan ngurndan non no e Biddo makko on. Kala humondirɔo e Biddo on no mari ngurndan dan. Kala mo humondiraa e Biddo Alla on haray alaa dan ngurndan. Mi windanii on dun fii no andiron wonde hidon mari ngurndan poomayankejan, onon bee gomdinbe e innde Biddo Alla on.



Linjiila Yuuhanna 14; Korenti 2 5;
Fenjninande 4, 21, 22

Storyline by: Edward D. Hughes

Illustrated by: Lazarus
and Alastair Paterson

Adapted by: Sarah S.

Pular NT (fuf) © 2010-Pioneer Bible Translators
© 2010-Traducteurs Pionniers de la Bible

<https://www.bible.com/bible/1798/MAT.1>

©2026 Bible for Children, Inc.

www.M1914.org

www.bibleforchildren.org

