

www.BibleForChildren.org



Johon 14



"Nokhni khanw khaula ongni tarwdi. Kaitorni sakagw nokhni paitokma tondi, Ani sakaobw paitokma tondi. Ani Aphani nogw tongni bagwi kodur juga tongw. Jwtni kwrwi tilai Ang nokhnw sakhamu, tamni hinba Ang nokhni bagwi juga jugalni thangdok."



"Ang thangwi nokhni bagwi jega thi khalaywi arwbw phainw tei Ani dayw nokhnw tilangnw, jate Ang jerw tong nokhbw orw tongmanaitwi."



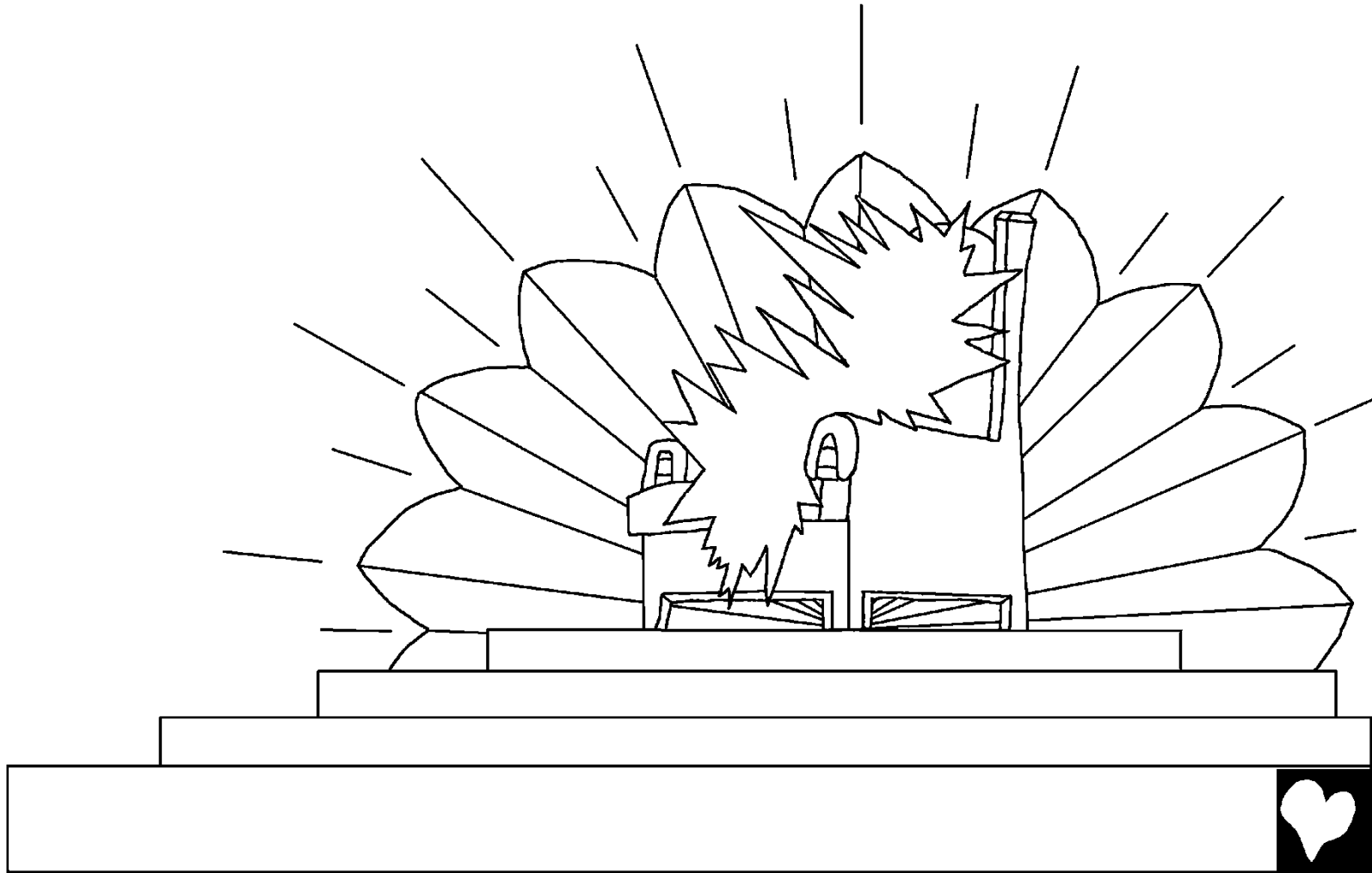
Ang Johon nokhni takhuk, Jisubai baksa kwrwngwi
ang nokhbai baksa tekto, auar tei khalogwi
soijak. Kaitorni kok arw Jisuni yakumu

pirjak hinwi anw Patom
twibongw tilangwi

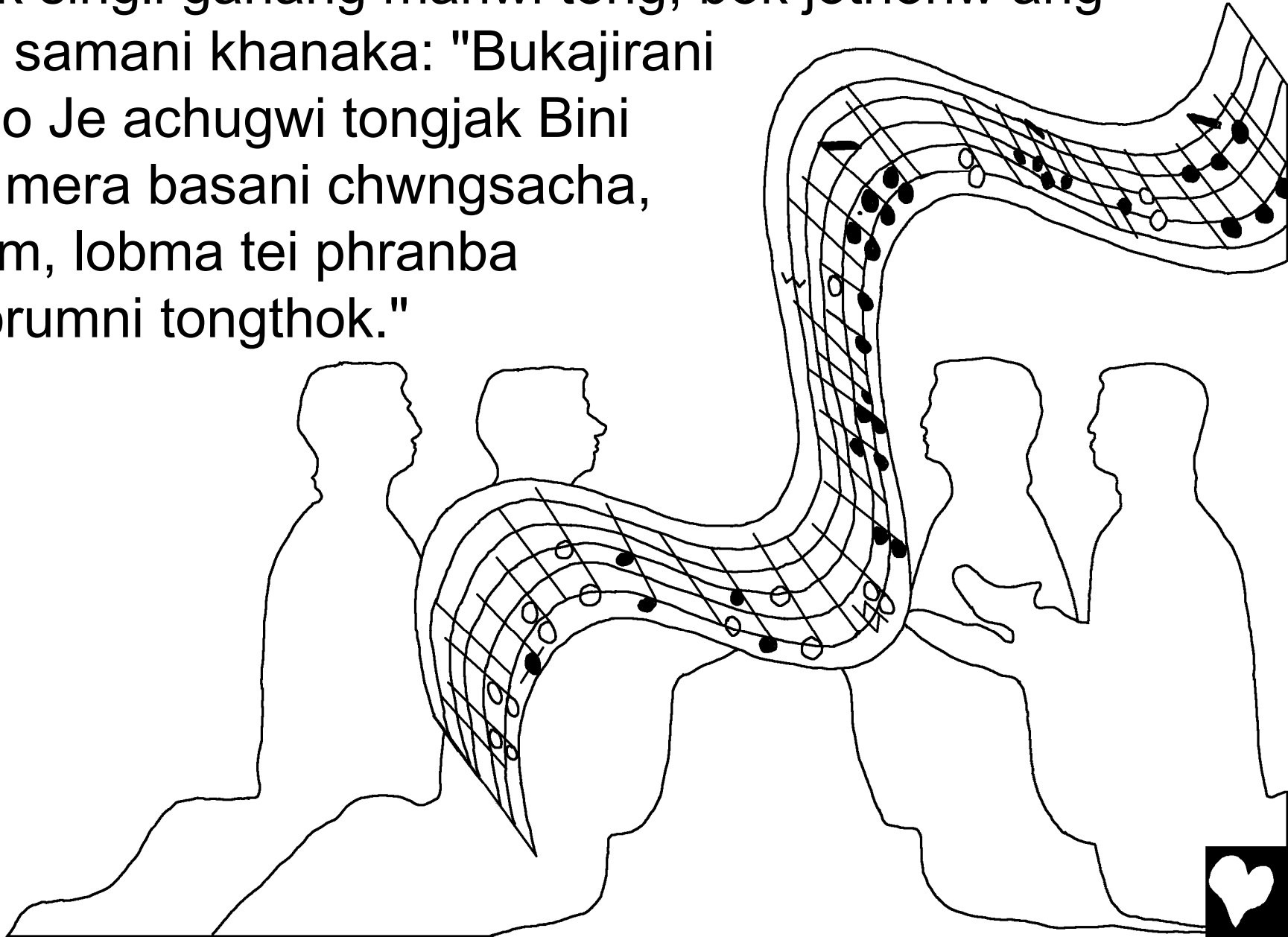
tonwijak.



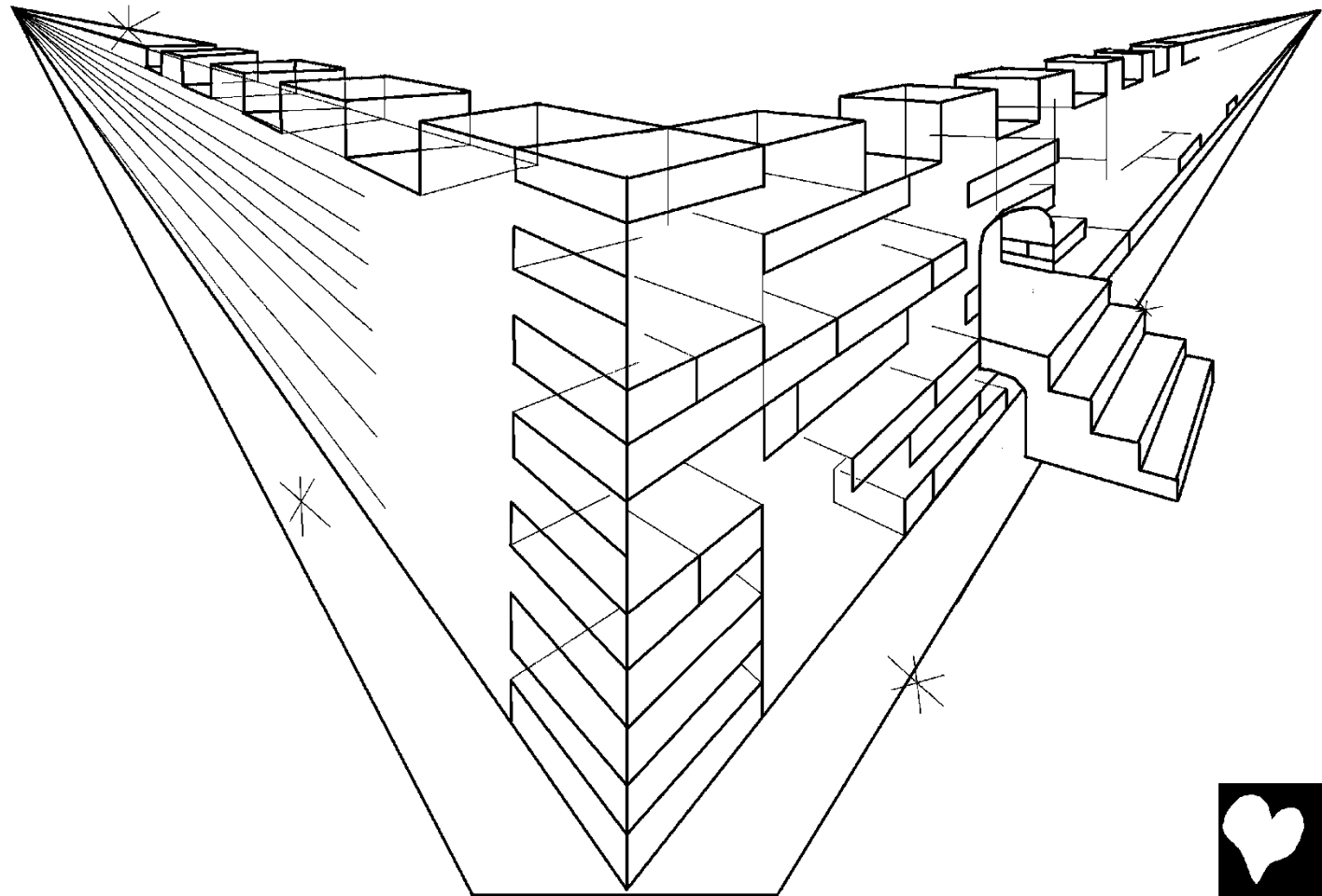
Arw aiphuo ang loge loge Phala Katharni
twidulmungbai chukhao kwrwngsa bukajira nungkha.
Ang nungkha, o bukajirao kaisa achugwi tongjak.



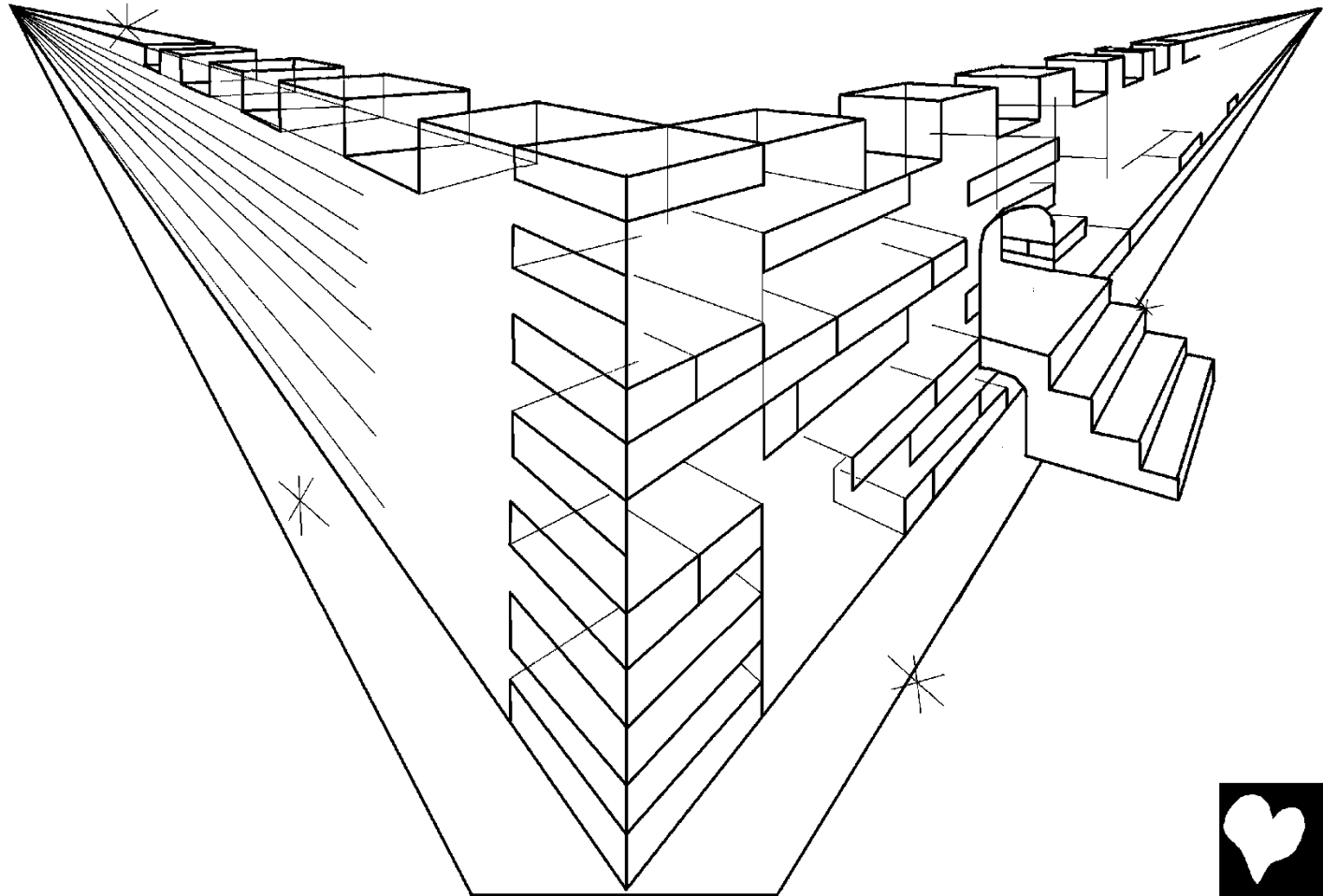
Omoni jerw chukhao, hayungw, patalw tei twibomw
jeswk singli ganang manwi tong, bok jothonw ang
i kok samani khanaka: "Bukajirani
sakao Je achugwi tongjak Bini
tei o mera basani chwngsacha,
borom, lobma tei phranba
molbrumni tongthok."



Arw ang o kathar aulinw, kok ongkha katal Jirusalemnw chukhani tei Kaitorni daini tolagw akhogwi phaimani nungkha. Hamchwknw jekhalaywi chamrwini bagwi sajok, i aulinwbw thi obwtwjar khalaiywi sajokjak.



Obwni jerw ang kharang gara kwrwngsanw bukajira daini i koknw samani khanakha, "Tabok borogni bisingw Kaitorni tongnai jega ongkha, arw Bw borogbai baksa tongnai. Bok Bini borog ongnai arw Kaitor sakbw bokbai baksa tongnai tei bokni Kaitor ongnai."



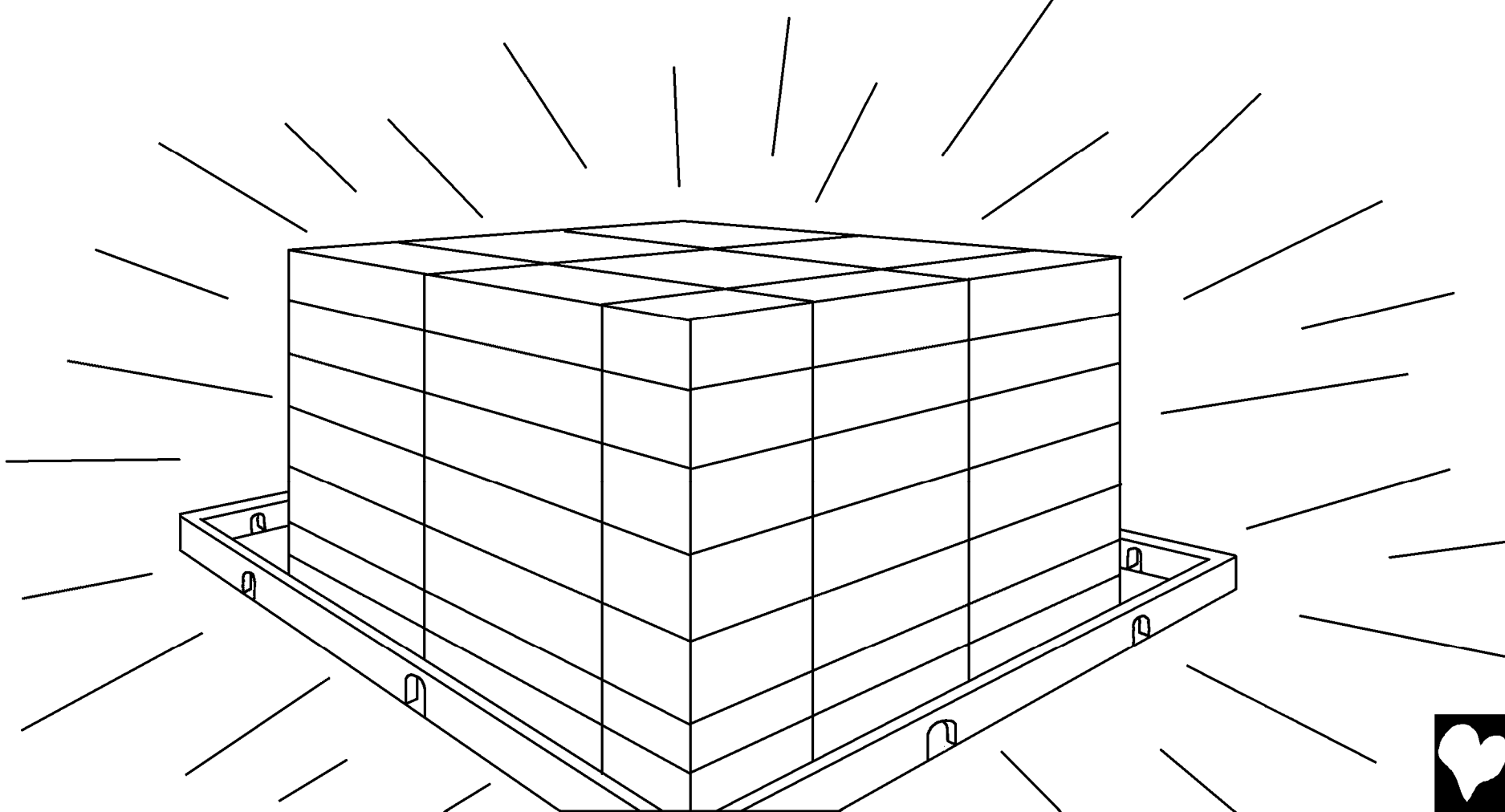
Jerw o suari anw langma rwnai twini kwrwngsa twibuk
phunokha, obw glasni twibukni kosol kwkrwk. O twibuk
Kaitor bai Mera Basani bukajirani daini akhogwi aulini
kacharni lama kachartwi boywi thangdok. O twibukni
uijang narbai ijang nar pang kainwi aitabw langma
rwnai bophang tongw.



O bophangrok jar chinwi bathai thaio, odaiyo tal biti bathai katal katal thaiyo. O bophang rokni balai rok ongkha jotho dophani borog rokniw hamrwni bagwi.



O aulinw dua khalaini bagwi sal eba tal nangya, twmwi hinba Kaitorni chwngsachase orw por rwgw, arw Mera basase orwni chati.



Sincha mwngsabw eba lachima sincha samung tangnai
eba misa kok sanai imwtwi jar borog orw oaisabw
hapmangalak, jebwrokni
bwmwng Mera basani
langma bijabw suijak
tong bokse keber
orw hapmannw.



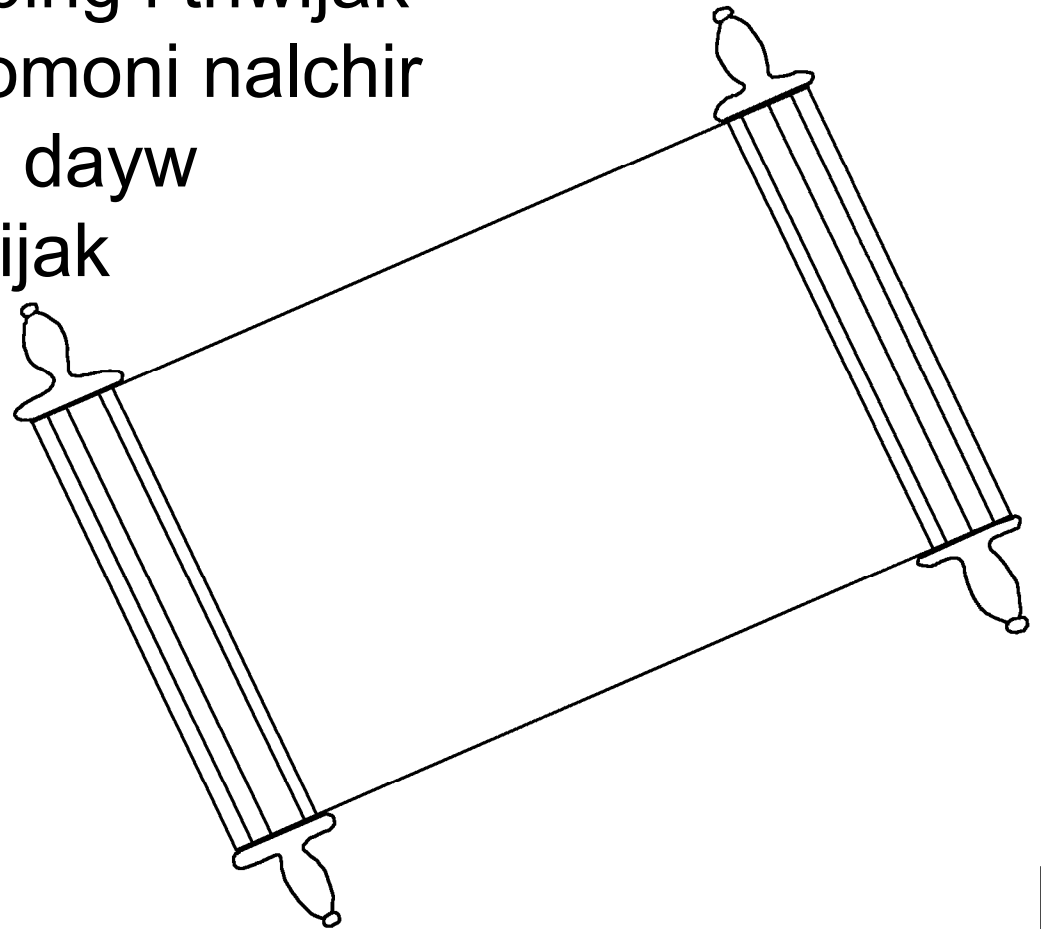
"Bw bokni mokolni mwktwi
haturubwi rwnai. Thwimung,
dugu, karabmwng tei
tentrokmwng arw tongalak,
twmwi hinba kacham
kothoyrok jotho paijak."



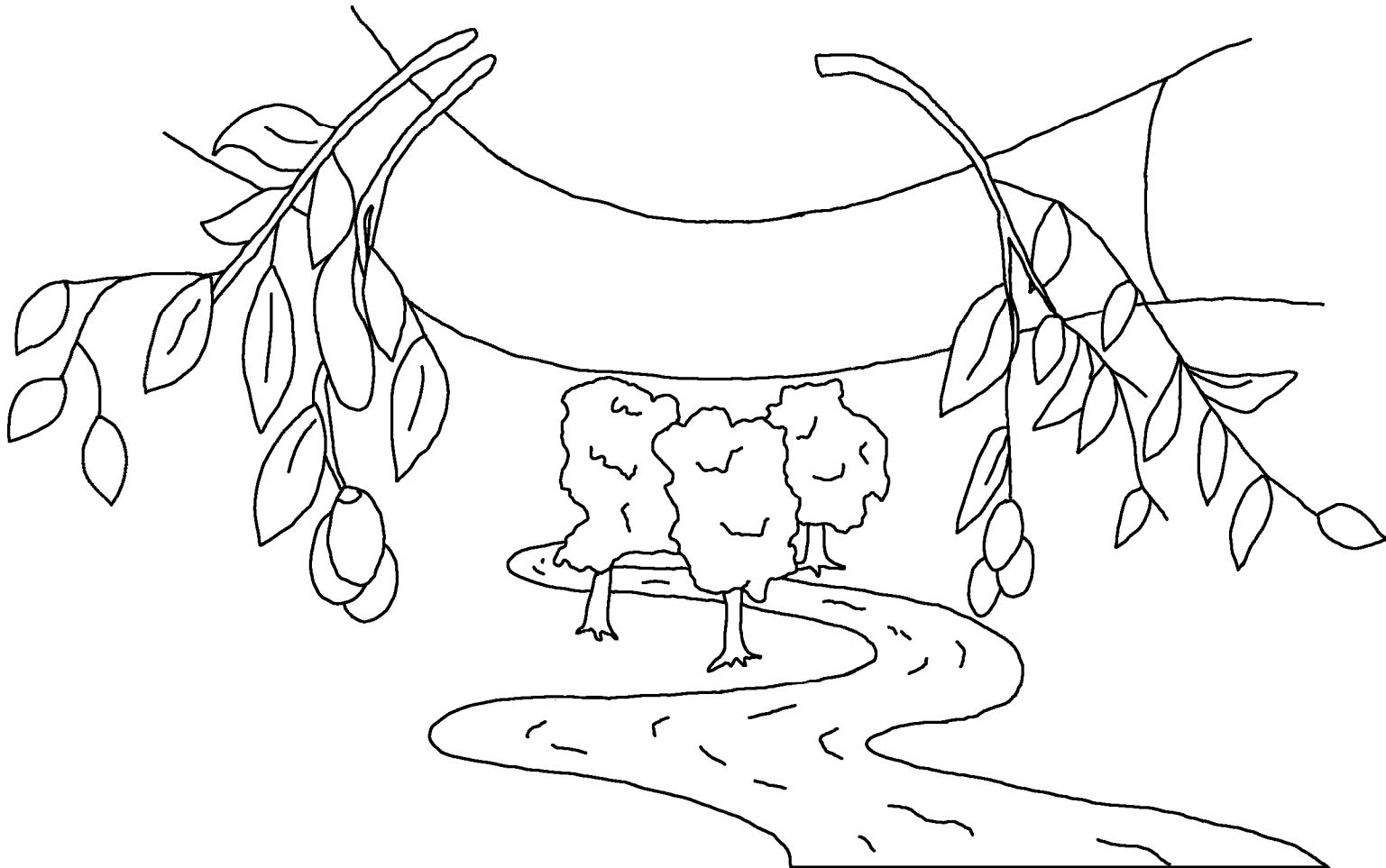
O aulio Kaitorbai sraijajak mwngsabw tongalak. Matwr
Kaitor tei Mera Basani bukajira orw tongnai. Odayo
Kaitorni selengrok Bwnw mwnnai. Bok Bini makhang
nungnai arw Bini bwmwng bokni kopalw suijak tongnai.



Arw ang nungkha, gara gira jotho kwthwi borog rok o bukajirani sakangw bachagwi tongjak arw aiphuo bijaprok phiyokjakha. Obo paikhlai arw kangsa bijap phiyokjakha jebw ongkha Langma bijap. I bijaprogw jebw suijak omoni maping i thwijak borogrok ta khalaijak omoni nalchir ongkha. Langma bijap dayw jebwrokni bwmwng suijak manliya boknw jothonwbw o hotni twithugw khibiywi rwkha.



Phala kathar tei Hamchwkw sadok, "Phaidi!" Jebw i
koknw kxananw bwbw sathwk, "Phaidi!" Je kangjak
bwnw phaini rwdi arw jebw mangana langma twi lani
nai, bwnw lani rwdi.



Twmwi himba Kaitor swngsarnw iswk
hamjakha, Bini kaisachui Sajlanw
chwnw yakpi rwkha, je Bwnw
paitok o borog nachra
ongyatwi matwr paiphlaiya
langma mannaitwi.



Rumi 3:23

Twmwi himba jotho sumsok khalaikha tei Kaitorni
chwngsacha jurakni phariniya.

Rumi 6:23

Twmwi himba sumsok je srangpai rw omo ongkha thwima,
matwr Kaitorni ruai ongkha Subrai Jisu Khrisoni bisingtwi
paiphlaiya langma.

Hibru 9:27

Jekhalaywi jotho borog oaisa thwinw tei obwni jerw bok
nalchir khalaijanw,



Iphio 2:8,9

Jisu Khristonw paitokmani bagwi Kaitorni khakhammabai nokh sumsok daini tekhokma mangkha. Nokh saknw sak tekhokjiya, matwr obw ongkha Kaitorni yakpi. Imw nokhni sakni samungni thaimari hinwi manjiya, kaisabw obwnw lagwi kungchuk mayatwi.

Rumi 10:9,10

O kok ongkha, Nwng Jisunw Subrai hinwi bukhogw yachagwi lagw tei paitogw je, Kaitor Bwnw kwthwi daini mwthangwi tisakha oswkhaise nwng sumsok daini tekhokma mannai, Twmwi hinba khao paitoknaini bagwi Kaitor borognw khatta kwrwi hinwi yachagwi lagw tei bukhokbai gosenani bagwi sumsokni yokrwwg.



Johon 3:16,17

Twmwi himba Kaitor swngsarnw iswk hamjakha, Bini kaisachui Sajlanw chwnw yakpi rwkha, je Bwnw paitok o borog nachra ongyatwi matwr paiphlaiya langma mannaitwi. Kaitor swngsarni nalchirni bagwi Bini Sajlanw hojiya matwr Bini Bisingtwi swngsar yokma mannaitwi hinwise hogw.

1 Johon 5:11-13

O yakumu imw je, Kaitor chwnw paiphlaiya langma rwjak arw o langma Bini basani bisingw tongw. Kaitorni Sajlanw je manjak bw langmabw mankha, matwr Kaitroni Sajlanw je manjiya bw o langmanwbw manjiya. Nokh jebwrok Kaitorni Sajlani mwngw paitok, nokhni dayw ang i jotho kok suikha jate nokh sinaitwi je nokh paiphlaiya langma manjak.



Johon 14; 2 Korinthiyo 5;
Phunukjakmani 4, 21, 22

Storyline by: Edward D. Hughes

Illustrated by: Lazarus
and Alastair Paterson

Adapted by: Sarah S.

Tippera NT (tpe) ©2025 Bible Students Fellowship of
Bangladesh

<https://www.bible.com/bible/4275/MAT.1>

©2026 Bible for Children, Inc.

www.M1914.org

www.bibleforchildren.org

